



US00D650438S

(12) **United States Design Patent**
Albrecht et al.

(10) **Patent No.:** **US D650,438 S**

(45) **Date of Patent:** **** Dec. 13, 2011**

(54) **TRANSACTION CARD**

(75) Inventors: **Jessica D. Albrecht**, Woodbury, MN
(US); **Ted C. Halbur**, Lino Lakes, MN
(US); **Adam W. Reynolds**, Minneapolis,
MN (US)

(73) Assignee: **Target Brands, Inc.**, Minneapolis, MN
(US)

(**) Term: **14 Years**

(21) Appl. No.: **29/396,908**

(22) Filed: **Jul. 8, 2011**

(51) **LOC (9) Cl.** **19-01**

(52) **U.S. Cl.** **D19/9**

(58) **Field of Classification Search** D19/1-12,
D19/100; 40/124.01-124.15, 672, 661, 776,
40/726, 617; 283/72, 74, 103, 105, 106;
D6/407, 632; 235/380, 449, 487, 492, 493,
235/488; 206/449, 815, 315; D20/10, 22,
D20/17, 27, 40, 11, 39, 43; D14/435-437,
D14/478

See application file for complete search history.

(56) **References Cited**

U.S. PATENT DOCUMENTS

1,566,422	A	12/1925	Patterson	
1,679,106	A	7/1928	Weinstein	
2,525,937	A	10/1950	Palm	
2,603,120	A	7/1952	Rosenheim	
4,377,917	A	3/1983	Guidry	
4,757,739	A	7/1988	Yeh	
4,790,714	A	12/1988	Schnapp	
4,826,212	A	5/1989	Muth et al.	
5,096,751	A	3/1992	Duchek	
5,454,644	A	10/1995	Augustin	
D434,653	S	12/2000	Maguire	
6,431,606	B1	8/2002	Lowe et al.	
D467,247	S *	12/2002	Pentz	D14/436
7,047,677	B2	5/2006	Rambaldi	

D526,015	S *	8/2006	Allard et al.	D19/9
7,234,253	B2	6/2007	Ossmann	
7,234,639	B2	6/2007	Schultz et al.	
D578,159	S *	10/2008	Hachey et al.	D19/10
7,552,553	B2	6/2009	Kelly	
7,584,558	B2	9/2009	Boyd et al.	
D602,522	S *	10/2009	Field et al.	D19/10
D604,359	S *	11/2009	Santos	D19/9
D613,793	S *	4/2010	Winter	D19/10
7,717,347	B2	5/2010	Boyd et al.	
D622,764	S *	8/2010	Halbur et al.	D19/9
2002/0143697	A1	10/2002	Gotfried	
2004/0079275	A1	4/2004	Falla	
2004/0251678	A1	12/2004	Dacey	
2006/0186196	A1	8/2006	Schultz et al.	

(Continued)

OTHER PUBLICATIONS

First Data, "GO-Tag™ Solution," www.firstdata.com, 2008.

Primary Examiner — Caron D Veynar

Assistant Examiner — Abraham Bahta

(74) *Attorney, Agent, or Firm* — Griffiths & Seaton PLLC

(57) **CLAIM**

The ornamental design for a transaction card, as shown and described.

DESCRIPTION

FIG. 1 is a top, front perspective view of a transaction card showing our new design;

FIG. 2 is a top, rear perspective view thereof;

FIG. 3 is a front view thereof;

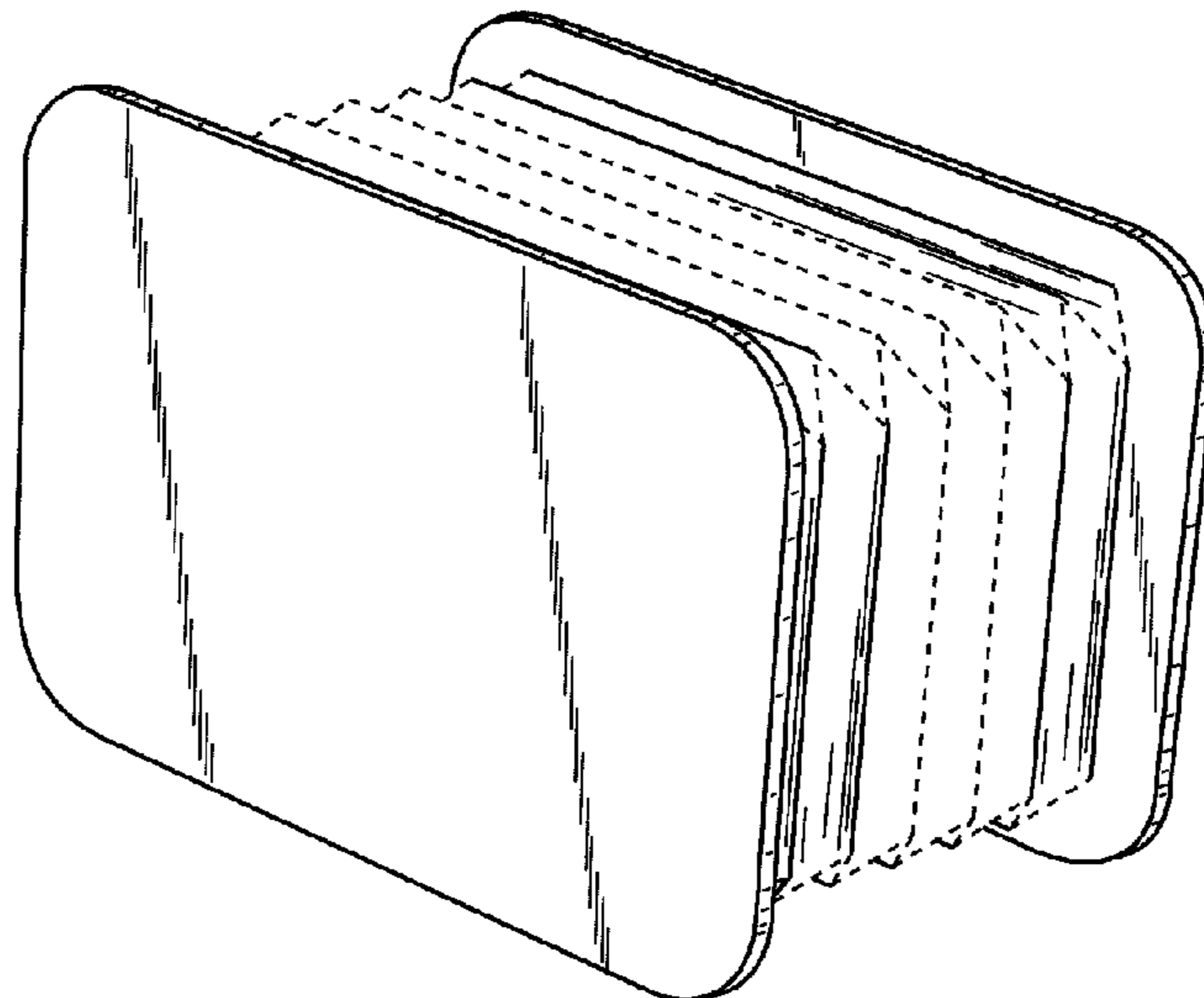
FIG. 4 is a rear view thereof;

FIG. 5 is a right side view thereof, the left side view being identical to the right side view; and,

FIG. 6 is a top view thereof, the bottom view being identical to the top view.

The features shown in broken lines depict environmental subject matter and form no part of the claimed design.

1 Claim, 3 Drawing Sheets



US D650,438 S

Page 2

U.S. PATENT DOCUMENTS

2007/0152066 A1 7/2007 Colby et al.
2008/0109303 A1 5/2008 Halbur et al.
2008/0149709 A1 6/2008 Boyd et al.
2008/0149727 A1 6/2008 Boyd et al.

2008/0233832 A1 9/2008 Lirot
2009/0064547 A1 3/2009 Condor
2009/0112711 A1 4/2009 Clegg et al.
2011/0101611 A1 5/2011 Pompei et al.

* cited by examiner

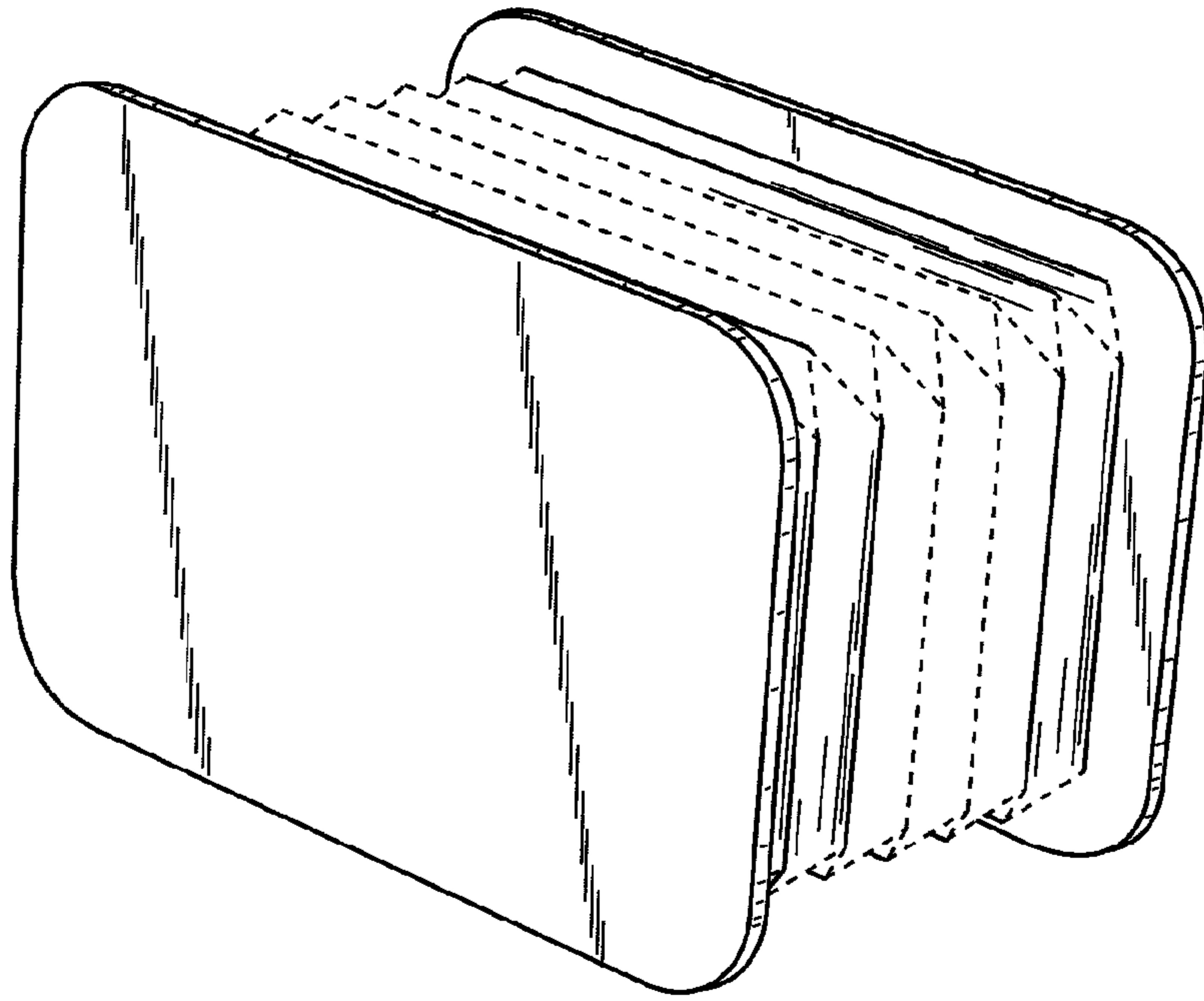


Fig. 1

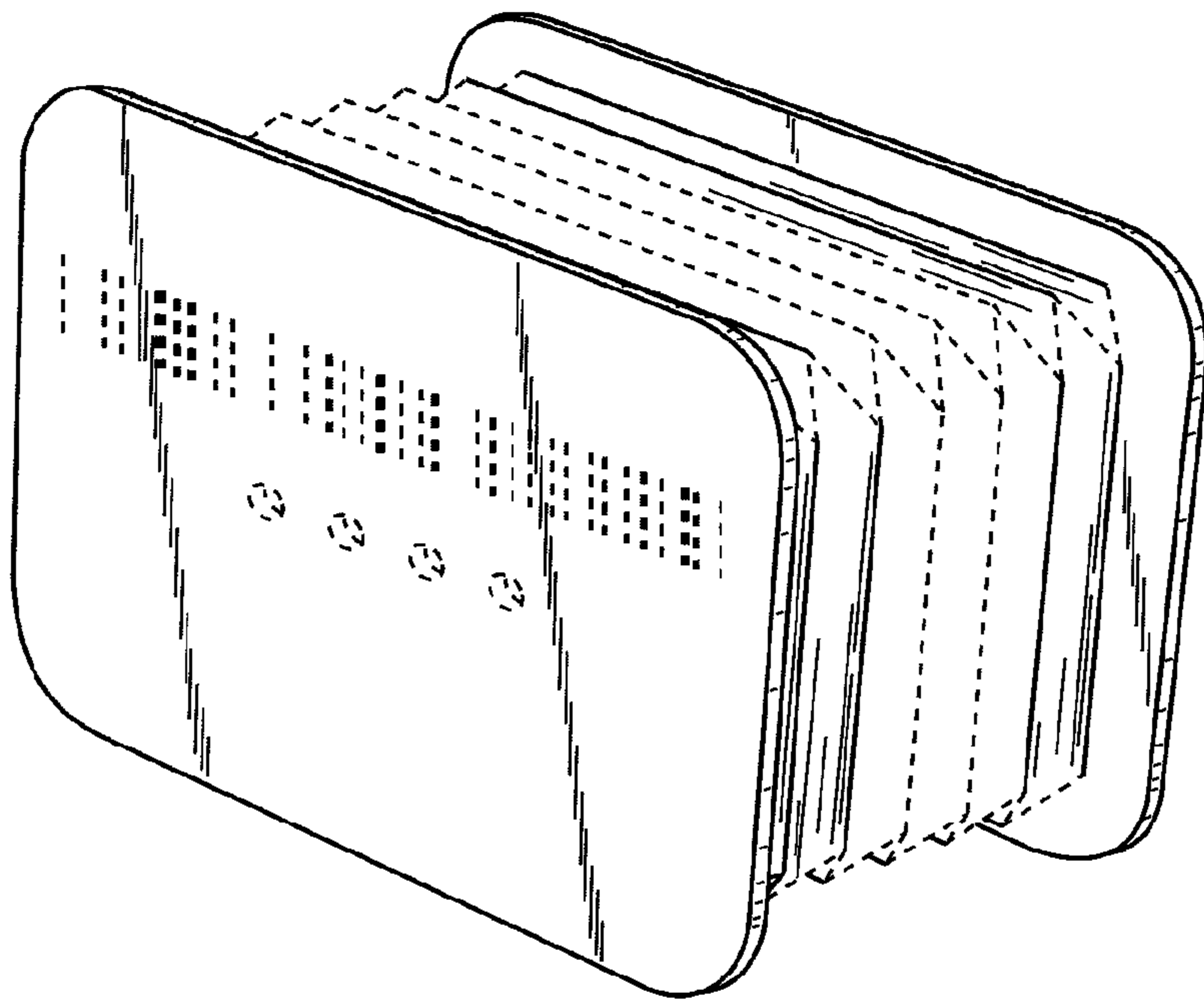


Fig. 2

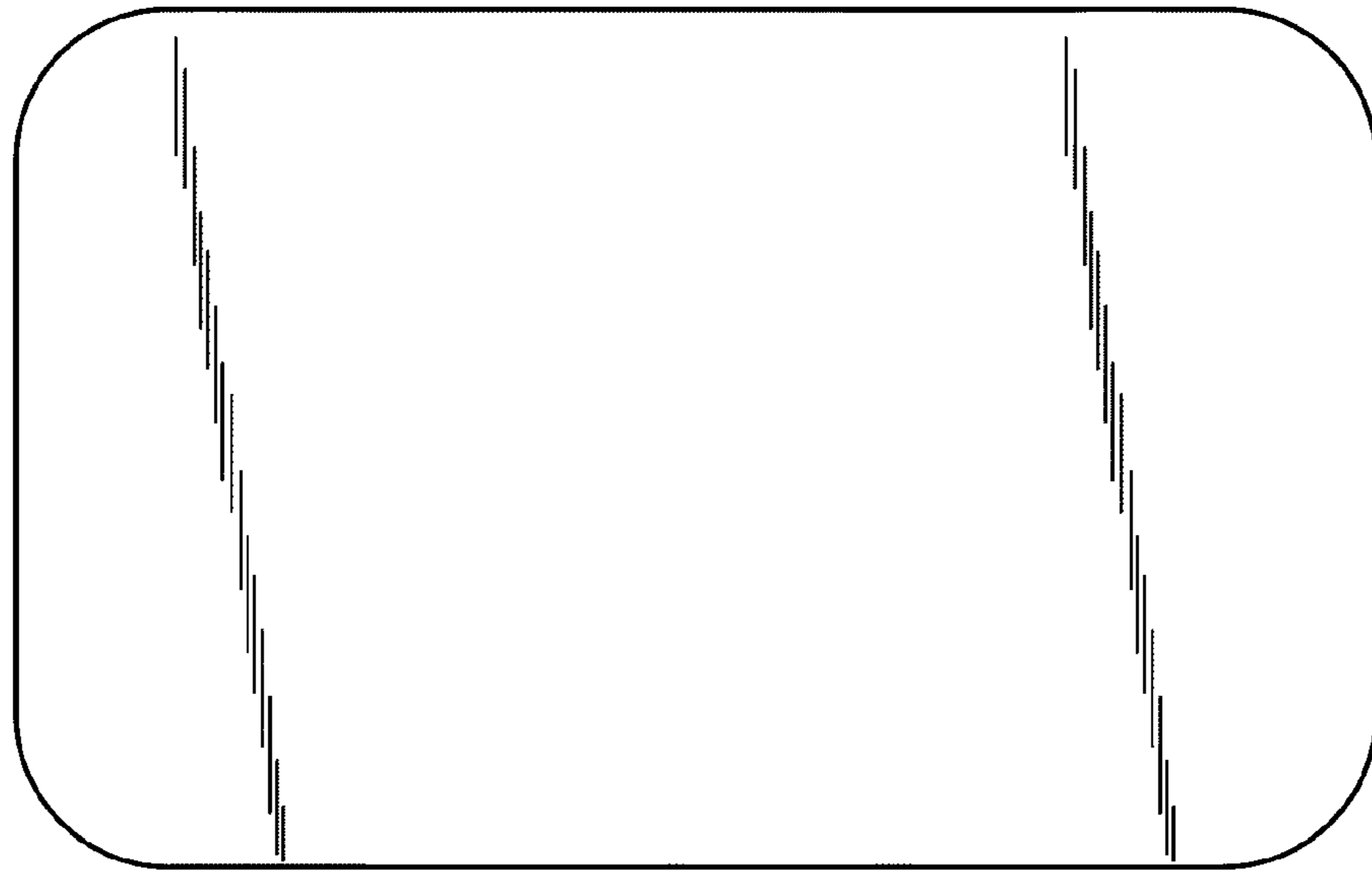


Fig. 3

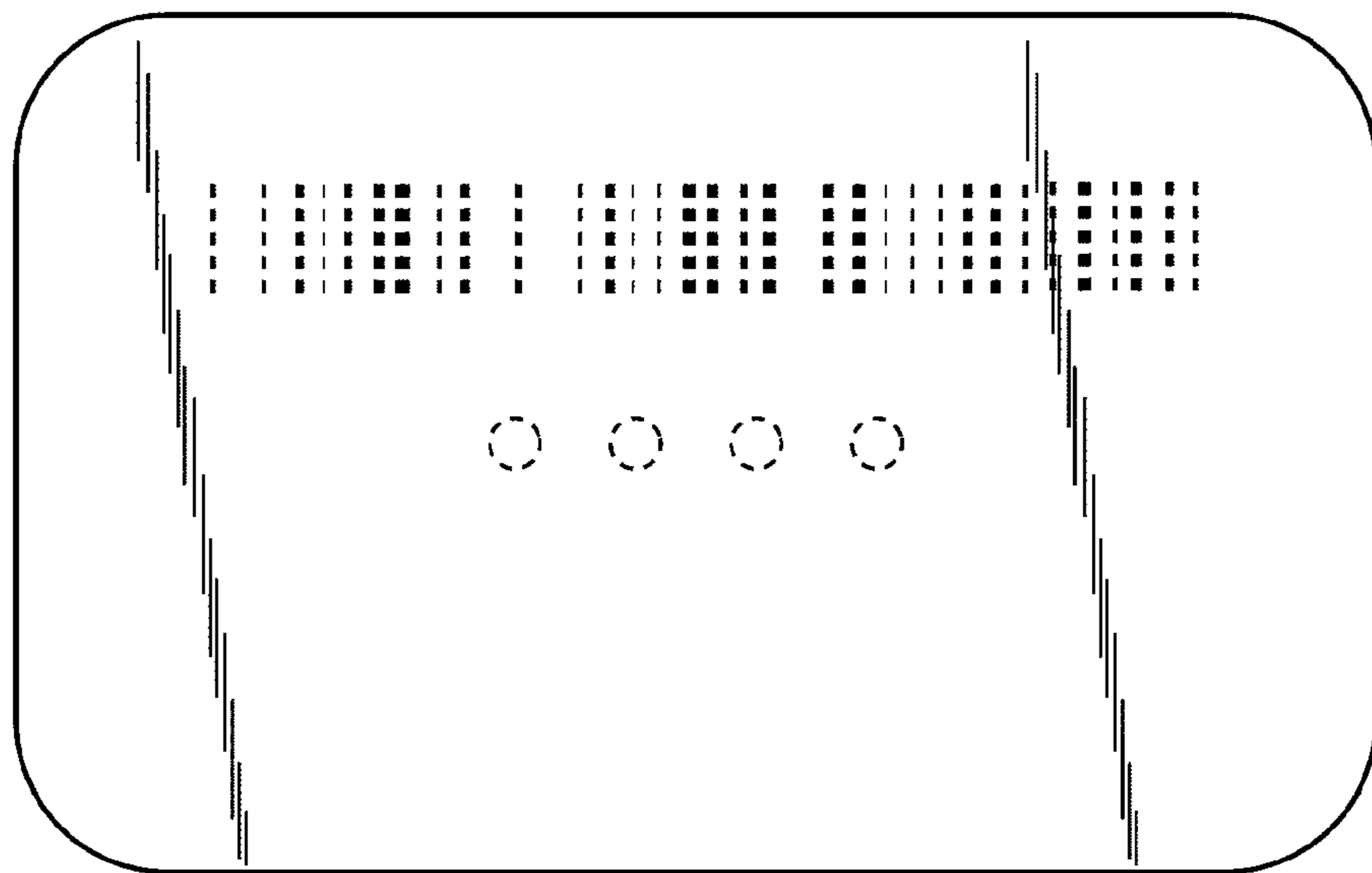


Fig. 4

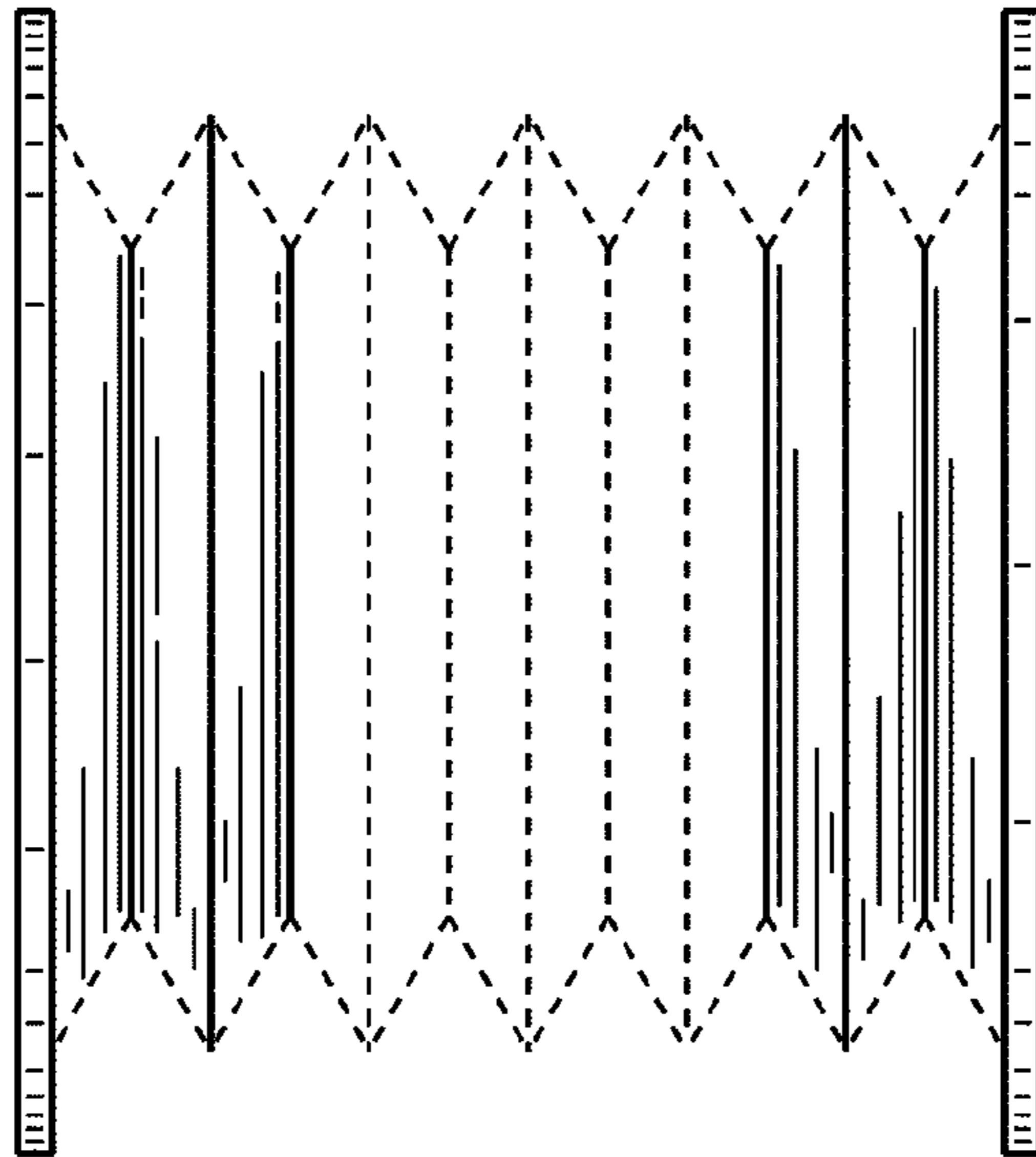


Fig. 5

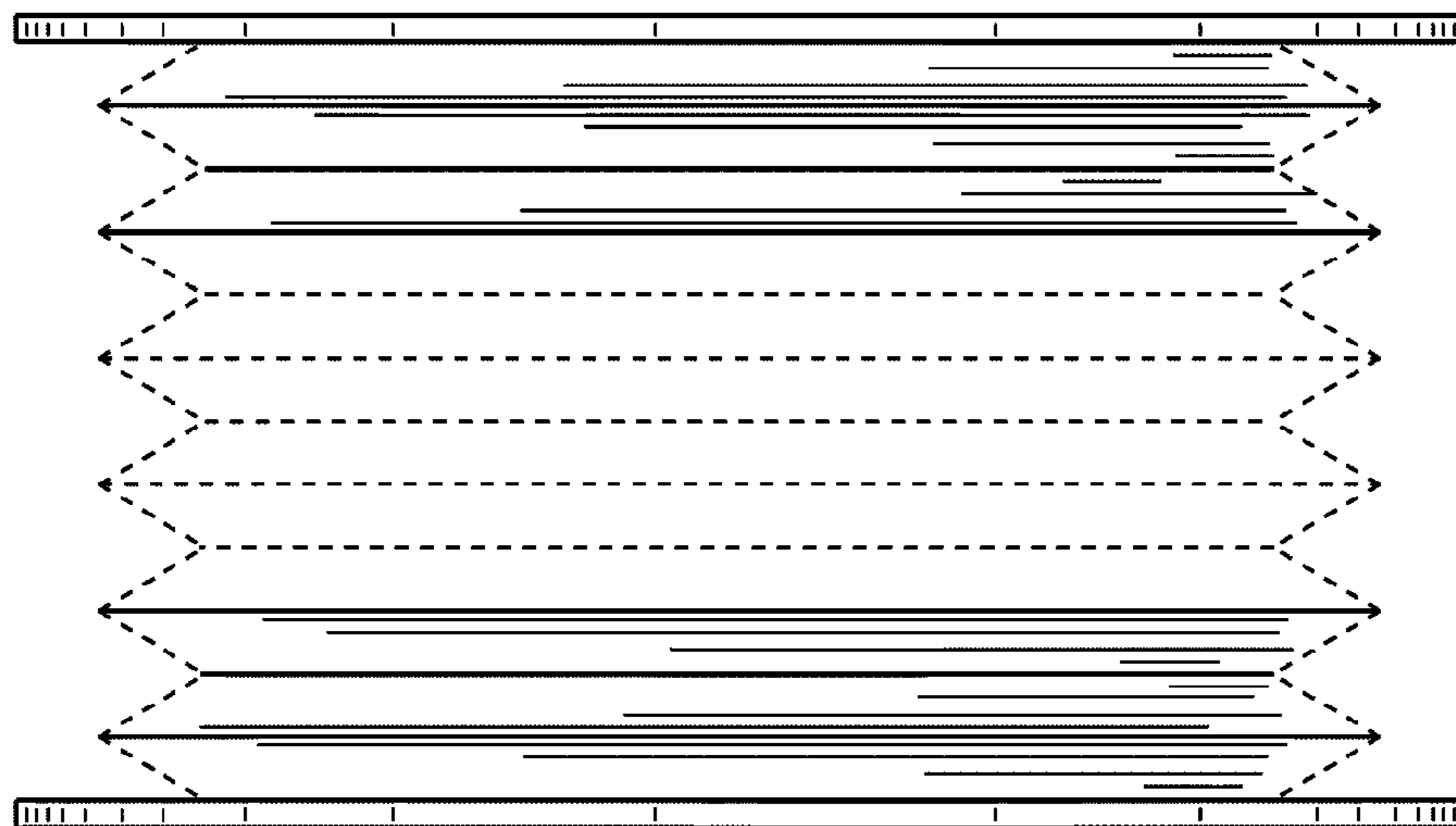


Fig. 6