



US00D650431S

(12) **United States Design Patent**
Ritter et al.

(10) **Patent No.:** **US D650,431 S**

(45) **Date of Patent:** **** *Dec. 13, 2011**

(54) **INK STICK FOR A PHASE CHANGE INK JET PRINTER**

(75) Inventors: **Jonathan R Ritter**, Cupertino, CA (US);
Brian Walter Aznoe, Sherwood, OR (US);
Brent Rodney Jones, Sherwood, OR (US);
Christopher R Gold, Tigard, OR (US);
John I Ramalho, Tualatin, OR (US)

(73) Assignee: **Xerox Corporation**, Norwalk, CT (US)

(*) Notice: This patent is subject to a terminal disclaimer.

(**) Term: **14 Years**

(21) Appl. No.: **29/375,720**

(22) Filed: **Sep. 27, 2010**

(51) **LOC (9) Cl.** **18-02**

(52) **U.S. Cl.** **D18/56; 347/88**

(58) **Field of Classification Search** D18/56;
347/88, 99; 106/31.29, 31.61

See application file for complete search history.

(56) **References Cited**

U.S. PATENT DOCUMENTS

D371,802 S * 7/1996 Jones et al. D18/56
D383,154 S * 9/1997 Jones et al. D18/56

6,761,444 B2 * 7/2004 Jones et al. 347/88
D528,159 S * 9/2006 Jones D18/56
D576,205 S * 9/2008 Aznoe et al. D18/56
D578,157 S * 10/2008 Aznoe et al. D18/56
7,458,669 B2 * 12/2008 Jones et al. 347/88
7,753,511 B2 * 7/2010 Jones et al. 347/88
7,971,980 B2 * 7/2011 Jones et al. 347/88
7,976,144 B2 * 7/2011 Esplin et al. 347/88
2006/0279617 A1 * 12/2006 Korn et al. 347/88

* cited by examiner

Primary Examiner — Cathy A MacCormac

(74) *Attorney, Agent, or Firm* — Tallam I. Nguti

(57) **CLAIM**

The ornamental design for an ink stick for a phase change ink jet printer, as shown and described.

DESCRIPTION

FIG. 1 is a perspective view of an ink stick for a phase change ink jet printer in accordance with the present invention;

FIG. 2 is a front view thereof;

FIG. 3 is a right side view thereof;

FIG. 4 is a rear view thereof;

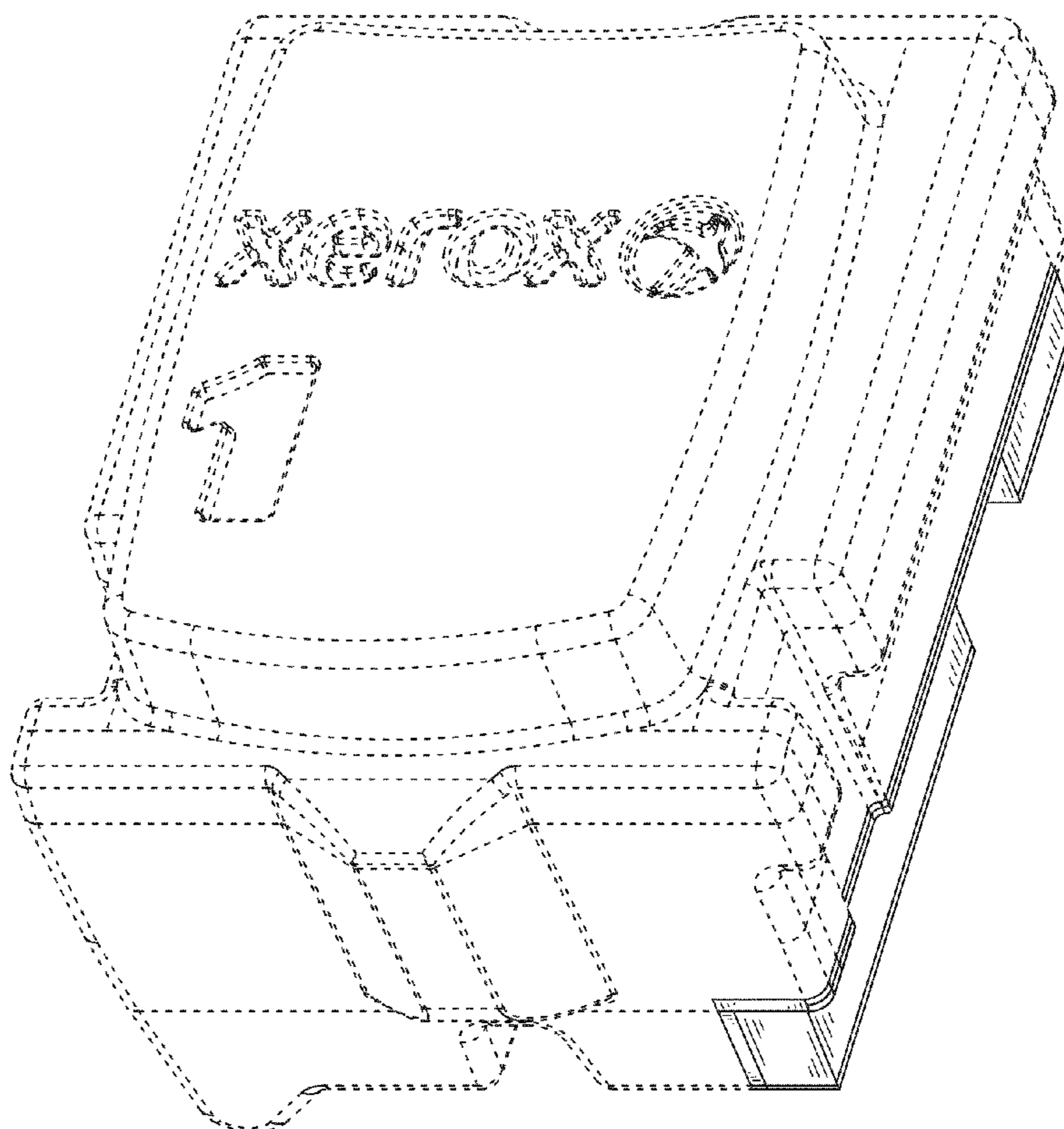
FIG. 5 is a left side view thereof;

FIG. 6 is a top plan view thereof; and,

FIG. 7 is a bottom plan view thereof.

The features shown in broken lines in the drawing figures depict environmental subject matter only and form no part of the claimed design.

1 Claim, 7 Drawing Sheets



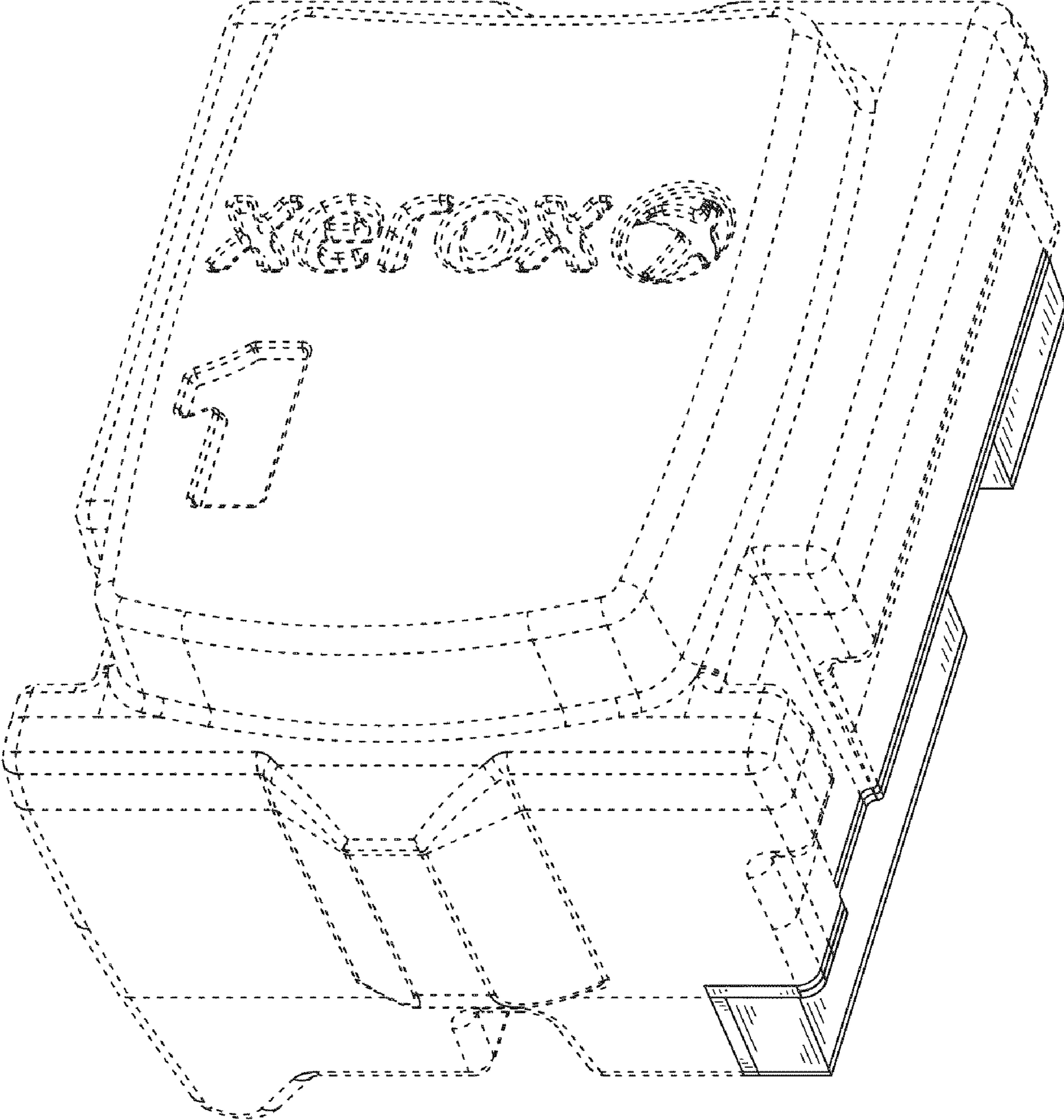


FIG. 1

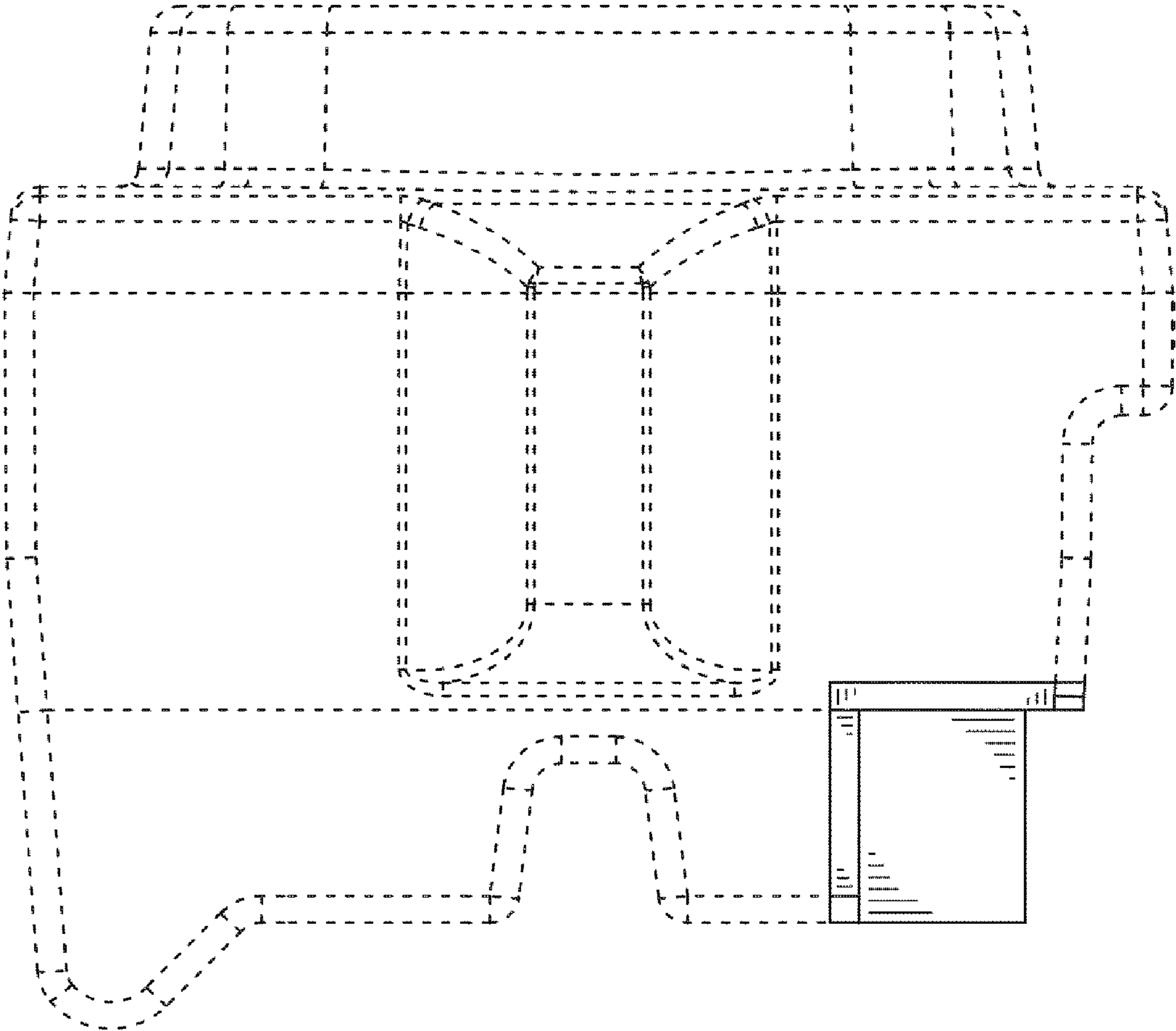


FIG. 2

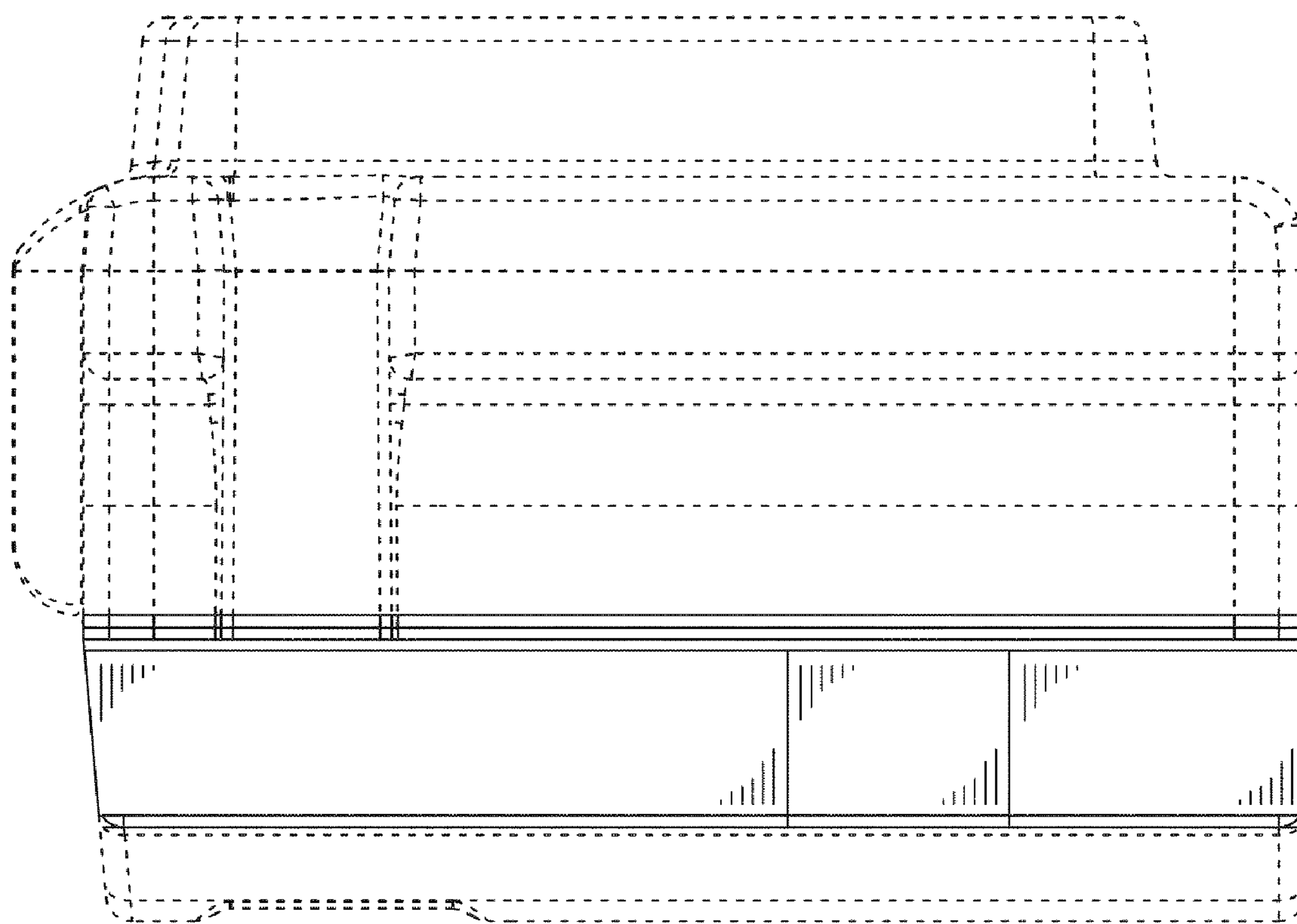


FIG. 3

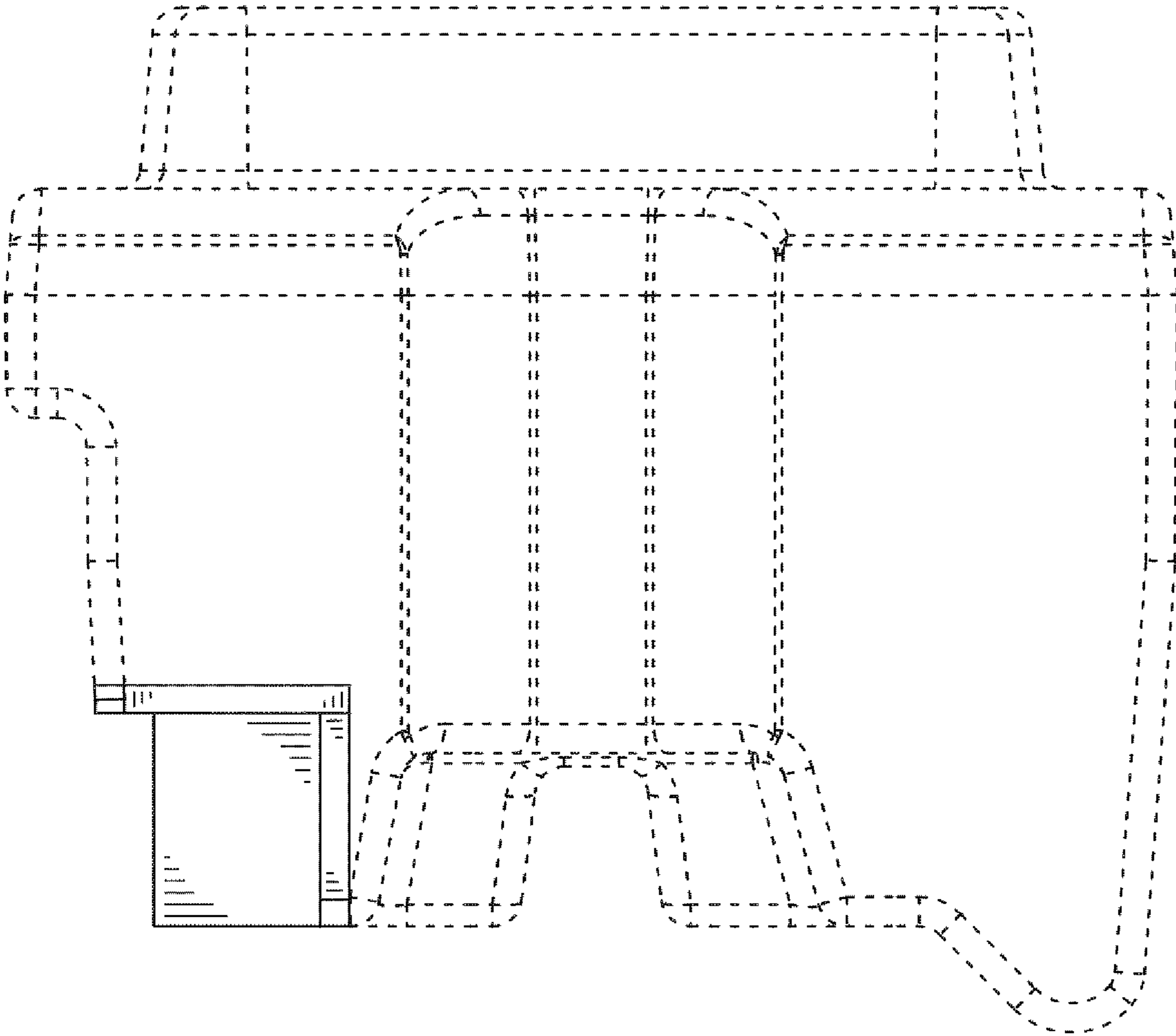


FIG. 4

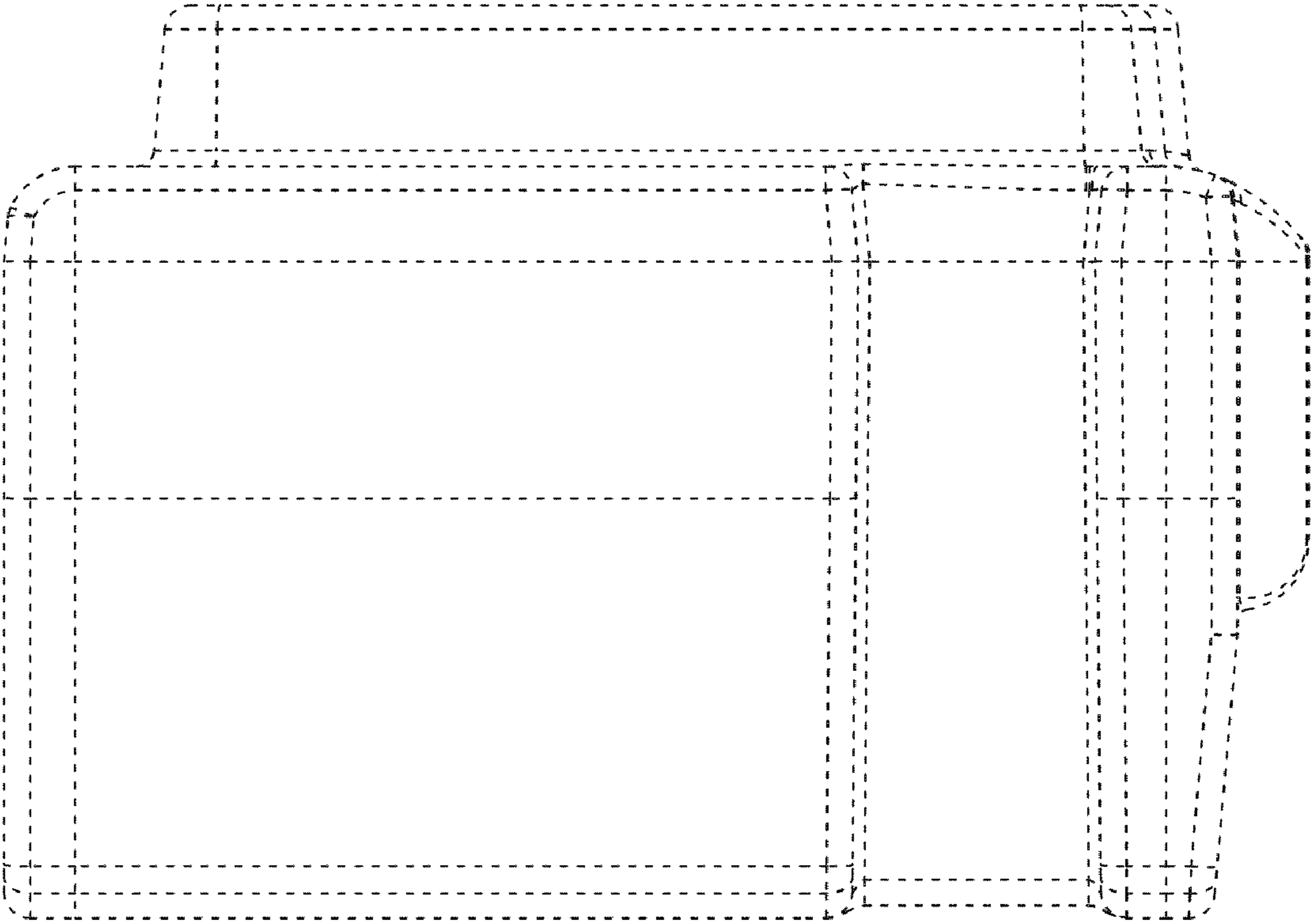


FIG. 5

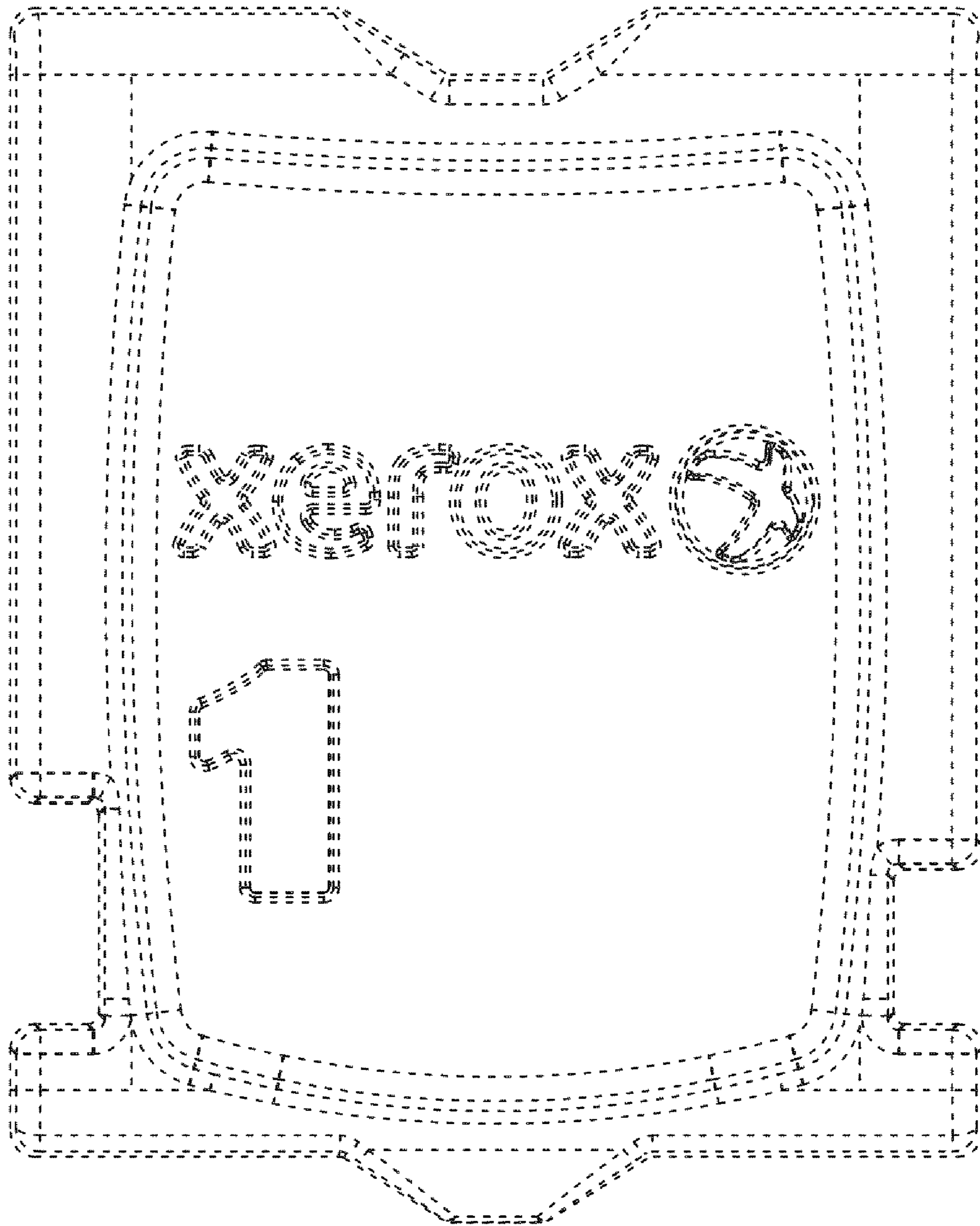


FIG. 6

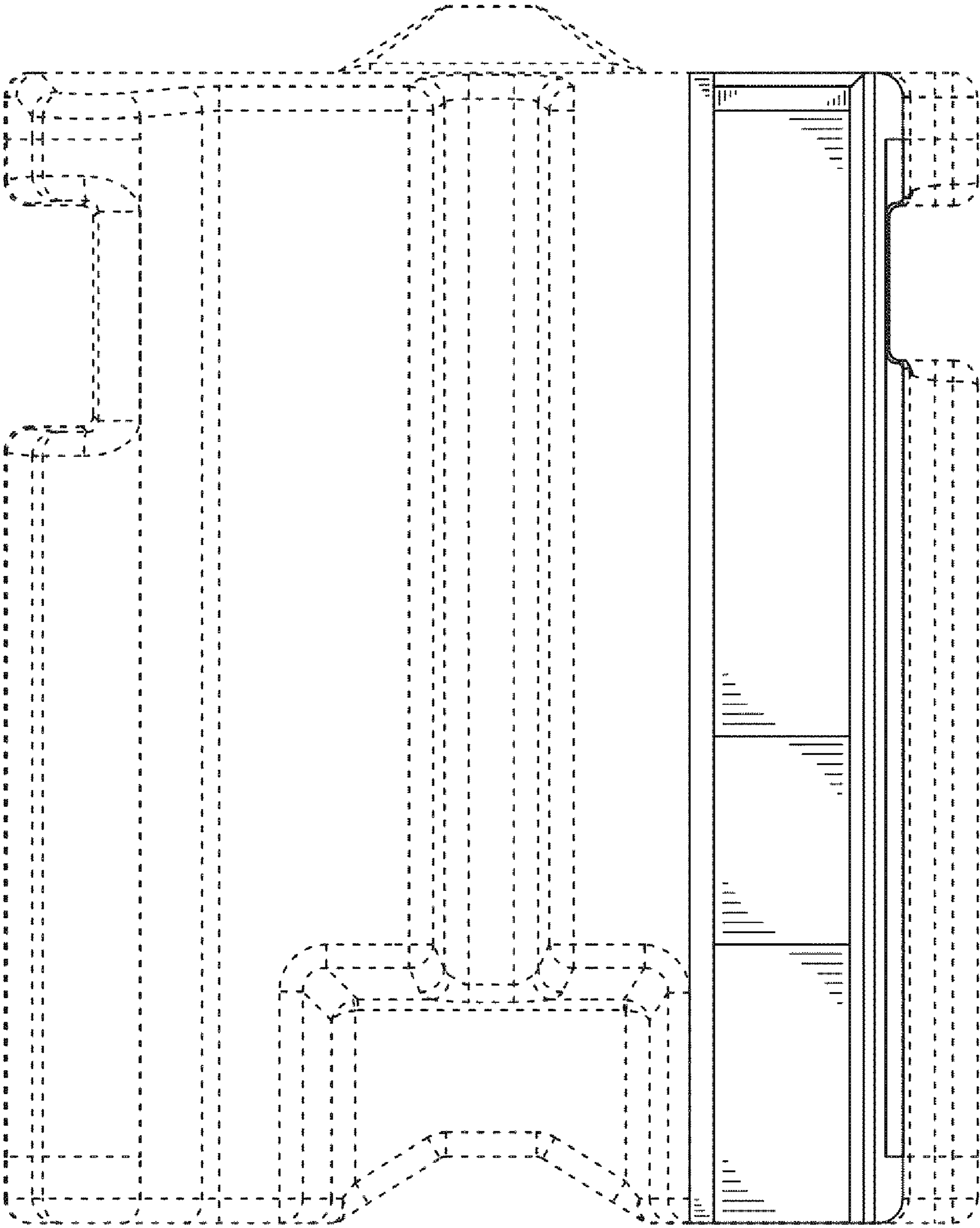


FIG. 7