



US00D650429S

(12) **United States Design Patent**  
**Ritter et al.**

(10) **Patent No.:** **US D650,429 S**

(45) **Date of Patent:** **\*\* \*Dec. 13, 2011**

(54) **INK STICK FOR A PHASE CHANGE INK JET PRINTER**

D585,487 S \* 1/2009 Aznoe et al. .... D18/56  
D586,386 S \* 2/2009 Aznoe et al. .... D18/56

(75) Inventors: **Jonathan R Ritter**, Cupertino, CA (US);  
**Brian Walter Aznoe**, Sherwood, OR (US);  
**Brent Rodney Jones**, Sherwood, OR (US);  
**Christopher R Gold**, Tigard, OR (US)

\* cited by examiner

*Primary Examiner* — Cathy A MacCormac

(74) *Attorney, Agent, or Firm* — Tallam I. Nguti

(73) Assignee: **Xerox Corporation**, Norwalk, CT (US)

(57) **CLAIM**

(\*) Notice: This patent is subject to a terminal disclaimer.

The ornamental design for an ink stick for a phase change ink jet printer, as shown and described.

(\*\*) Term: **14 Years**

**DESCRIPTION**

(21) Appl. No.: **29/375,709**

FIG. 1 is a perspective view of an ink stick for a phase change ink jet printer in accordance with the present invention;

(22) Filed: **Sep. 27, 2010**

FIG. 2 is a front view thereof;

(51) **LOC (9) Cl.** ..... **18-02**

FIG. 3 is a right side view thereof;

(52) **U.S. Cl.** ..... **D18/56; 347/88**

FIG. 4 is a rear view thereof;

(58) **Field of Classification Search** ..... D18/56;

FIG. 5 is a left side view thereof;

347/88, 99; 106/31.29, 31.61

FIG. 6 is a top plan view thereof; and,

See application file for complete search history.

FIG. 7 is a bottom plan view thereof.

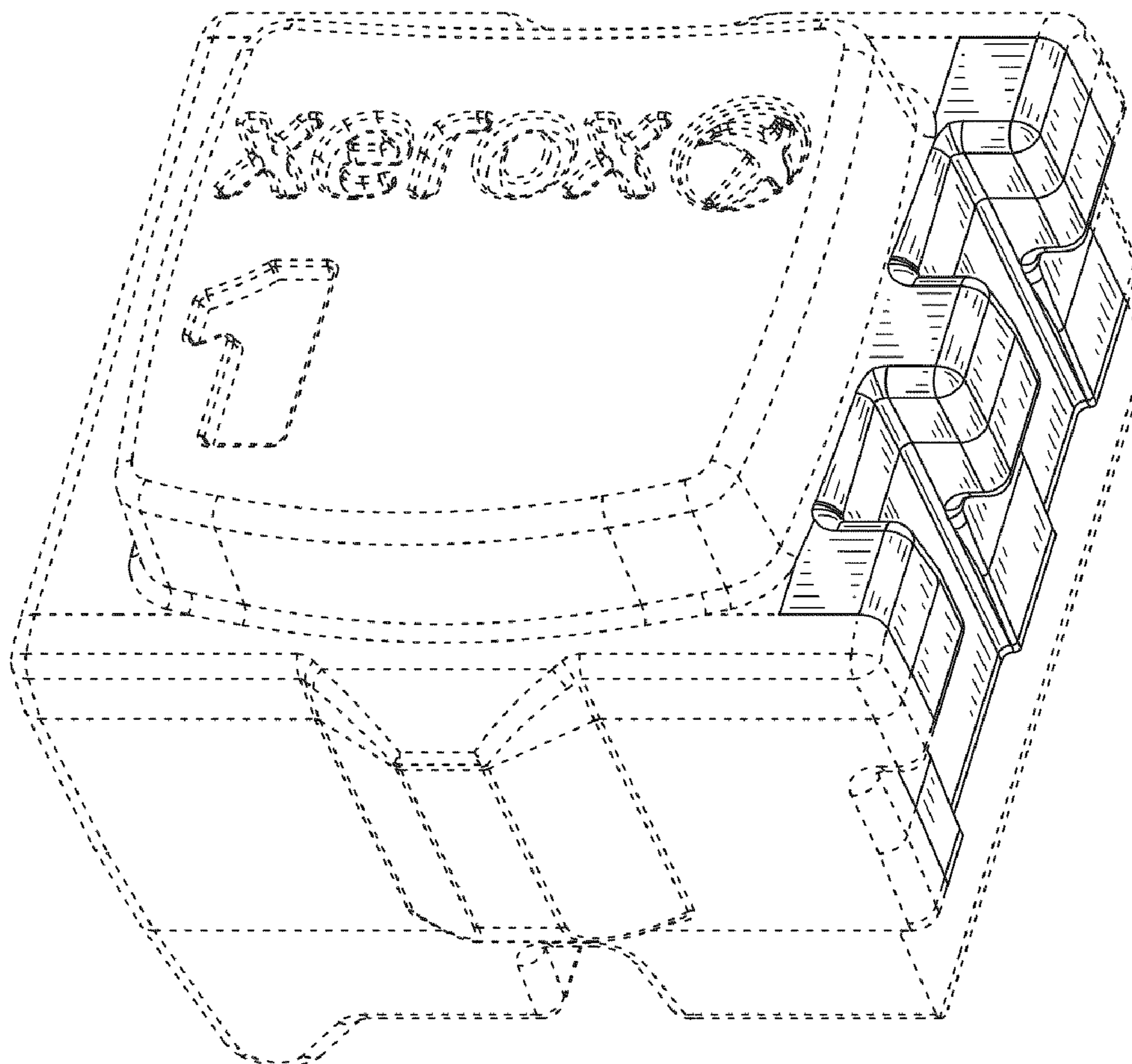
The features shown in broken lines in the drawing figures depict environmental subject matter only and form no part of the claimed design.

(56) **References Cited**

**U.S. PATENT DOCUMENTS**

D528,159 S \* 9/2006 Jones ..... D18/56

**1 Claim, 7 Drawing Sheets**



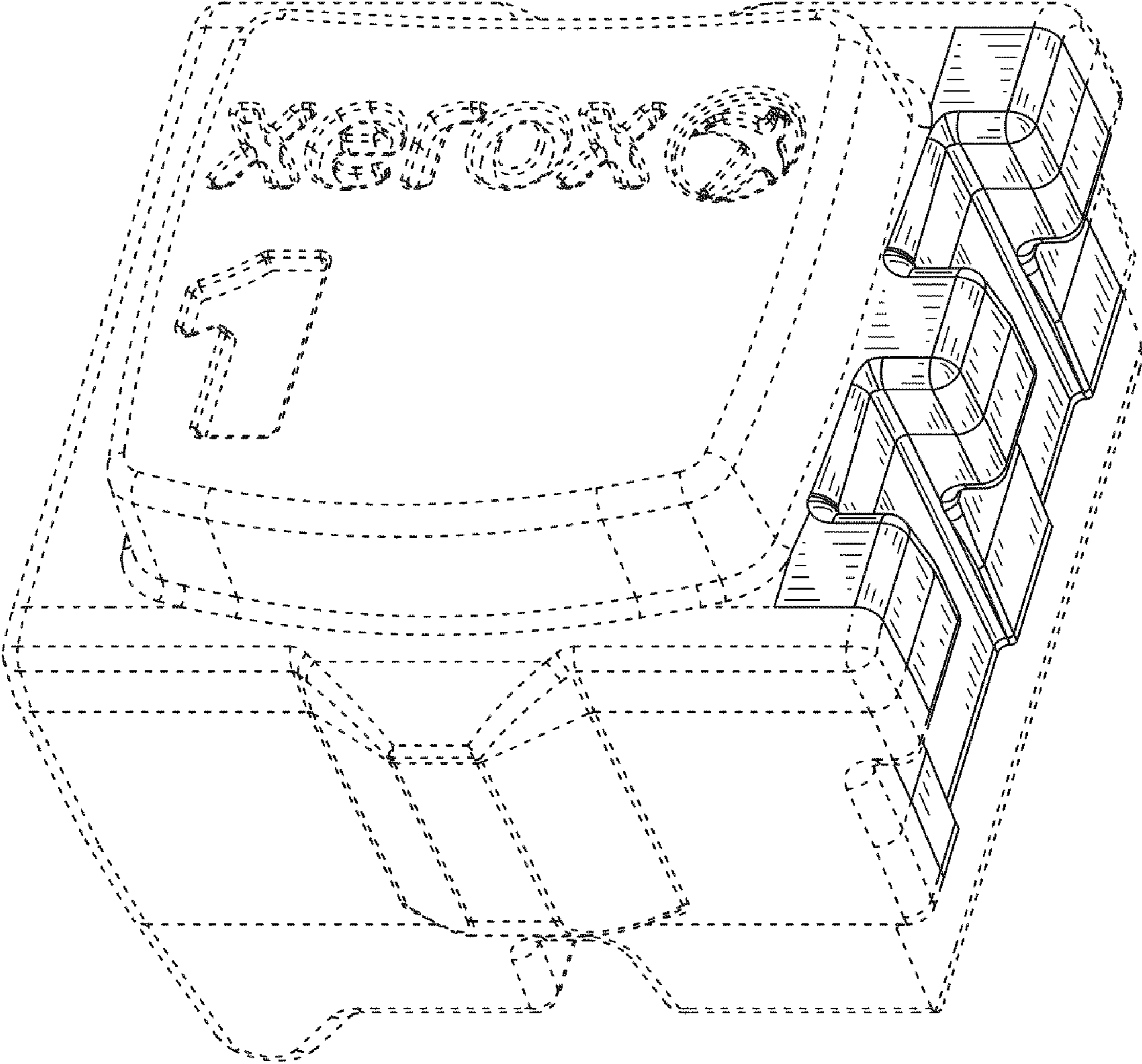


FIG. 1

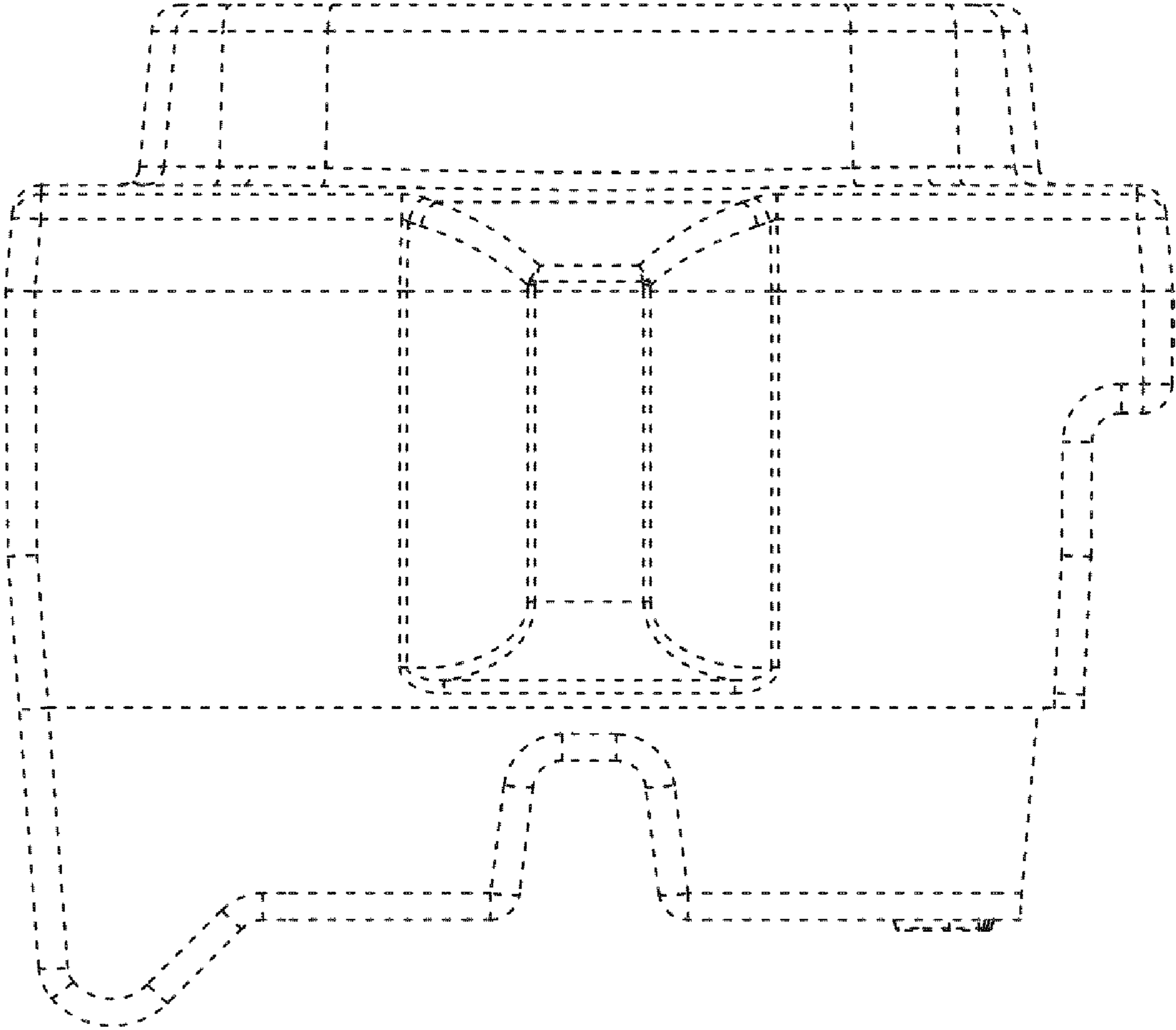


FIG. 2

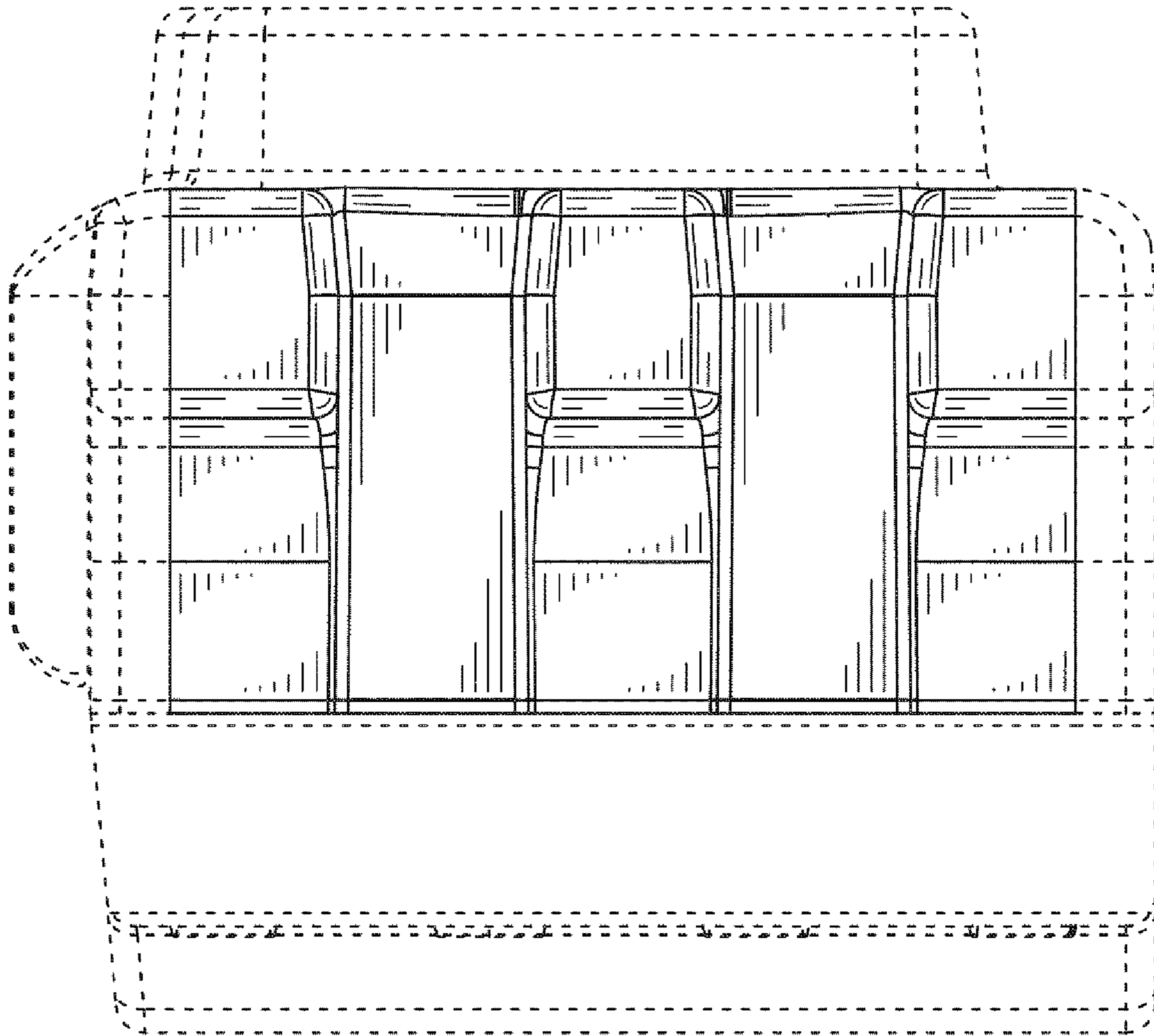


FIG. 3



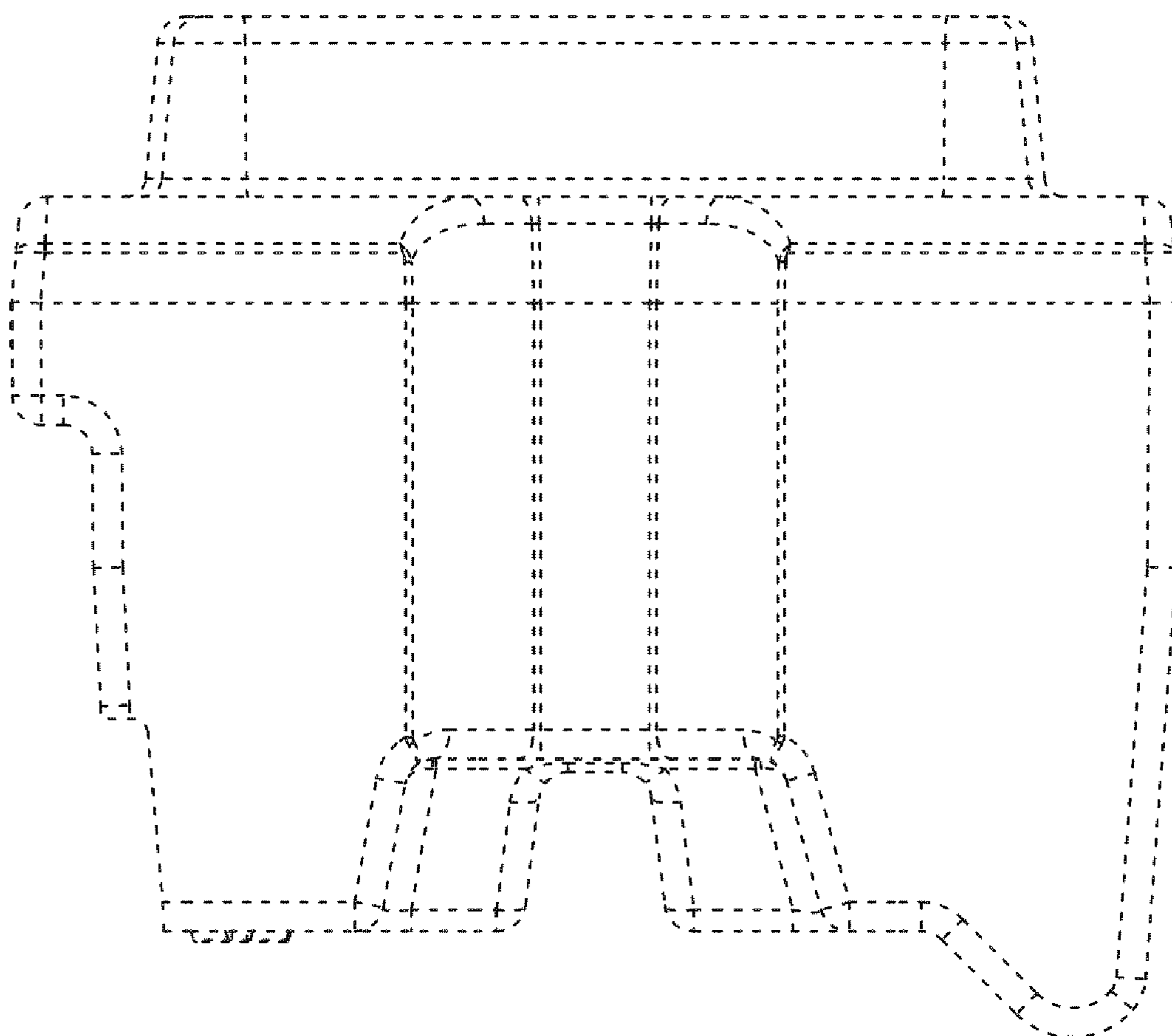


FIG. 4

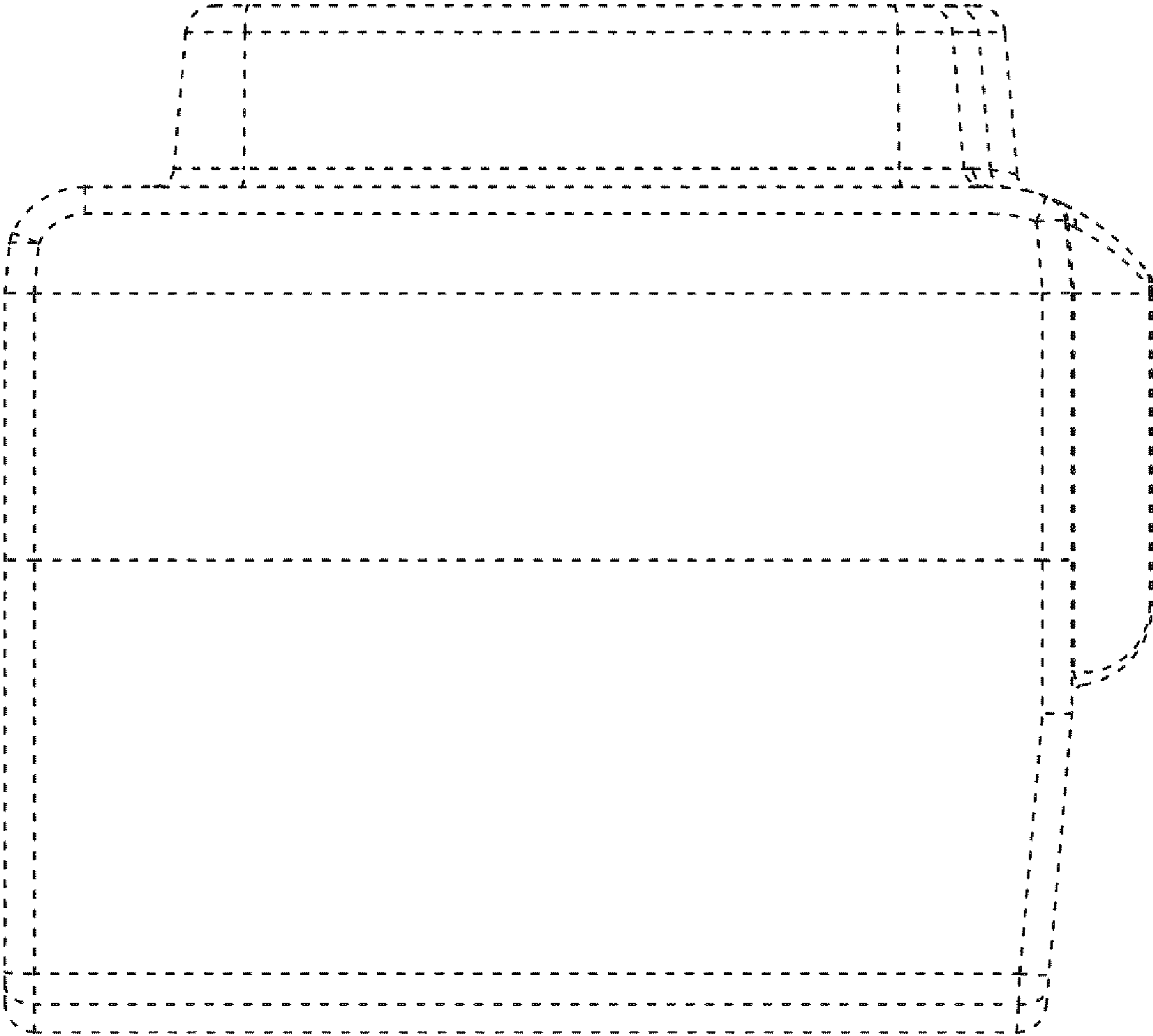


FIG. 5

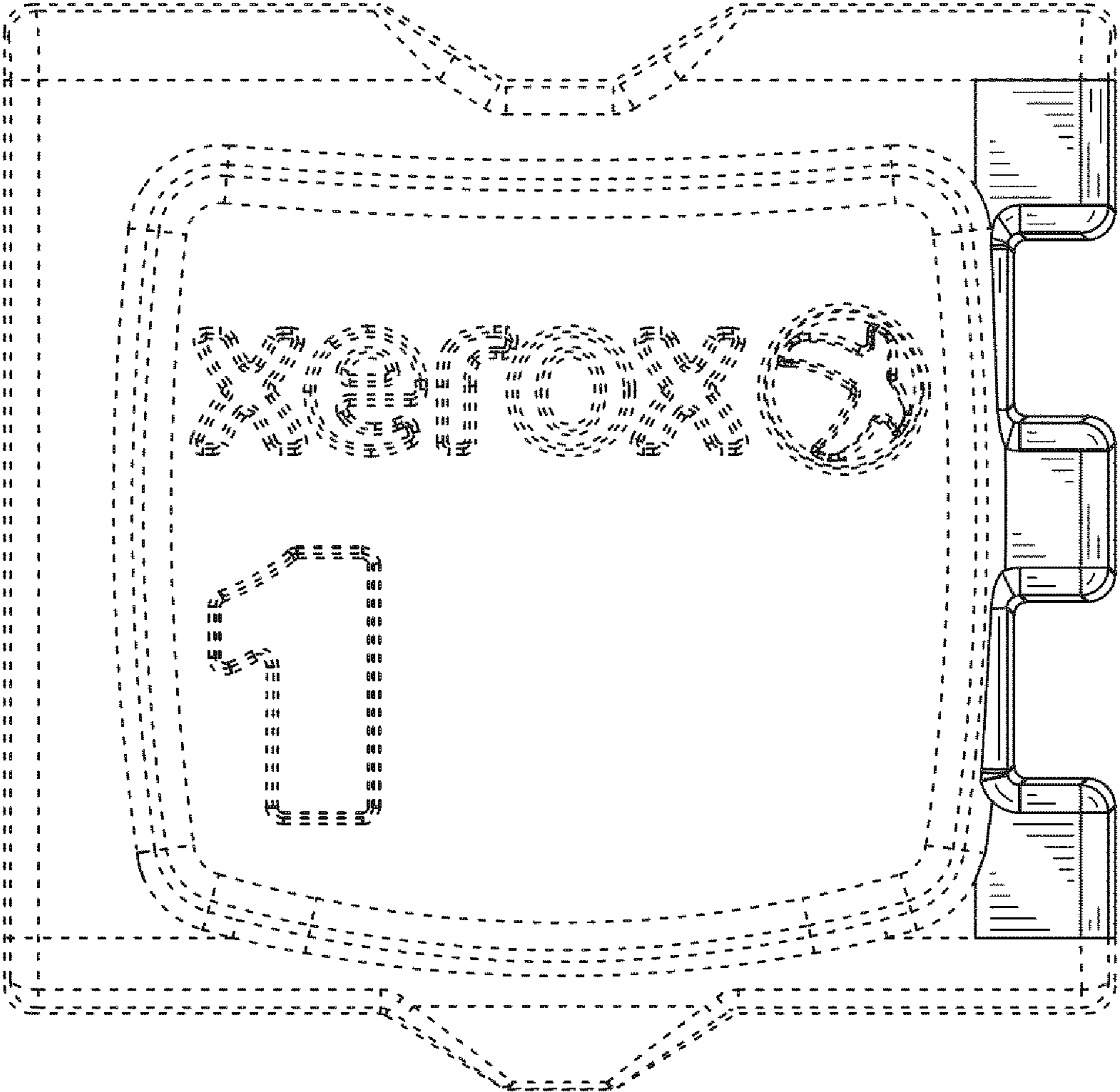


FIG. 6

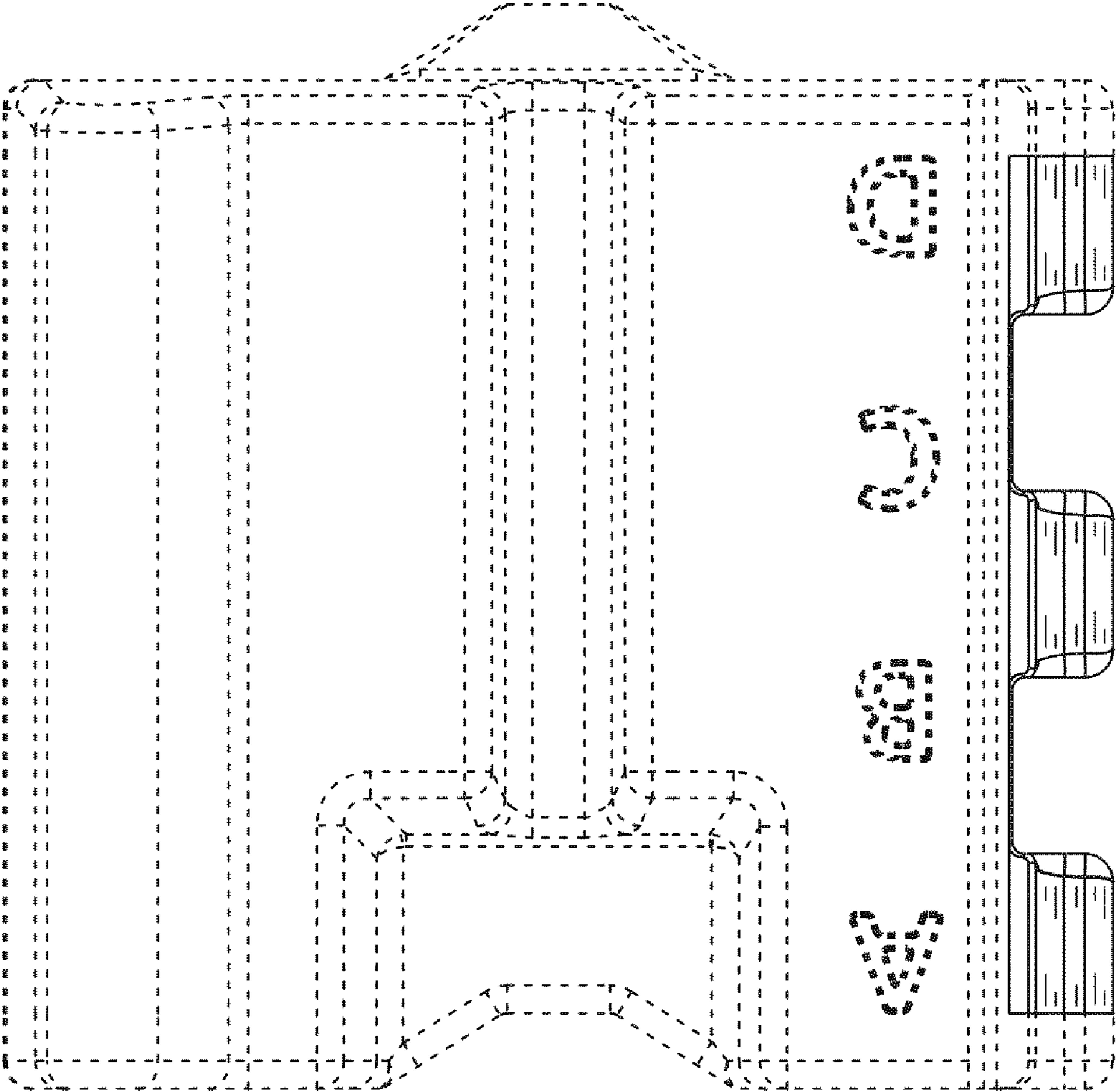


FIG. 7