



US00D650428S

(12) **United States Design Patent**  
**Ritter et al.**

(10) **Patent No.:** **US D650,428 S**

(45) **Date of Patent:** **\*\* \*Dec. 13, 2011**

(54) **INK STICK FOR A PHASE CHANGE INK JET PRINTER**

(75) Inventors: **Jonathan R Ritter**, Cupertino, CA (US);  
**Brian Walter Aznoe**, Sherwood, OR  
(US); **Brent Rodney Jones**, Sherwood,  
OR (US); **Christopher R Gold**, Tigard,  
OR (US)

(73) Assignee: **Xerox Corporation**, Norwalk, CT (US)

(\*) Notice: This patent is subject to a terminal disclaimer.

(\*\*) Term: **14 Years**

(21) Appl. No.: **29/375,708**

(22) Filed: **Sep. 27, 2010**

(51) **LOC (9) Cl.** ..... **18-02**

(52) **U.S. Cl.** ..... **D18/56; 347/88**

(58) **Field of Classification Search** ..... D18/56;  
347/88, 99; 106/31.29, 31.61

See application file for complete search history.

(56) **References Cited**

**U.S. PATENT DOCUMENTS**

D371,802 S \* 7/1996 Jones et al. .... D18/56  
D372,268 S \* 7/1996 Jones et al. .... D18/56

D380,771 S \* 7/1997 Jones ..... D18/56  
D383,154 S \* 9/1997 Jones et al. .... D18/56  
D500,516 S \* 1/2005 Jones et al. .... D18/56  
D518,097 S \* 3/2006 Jones ..... D18/56  
D520,559 S \* 5/2006 Jones ..... D18/56  
D521,065 S \* 5/2006 Jones et al. .... D18/56  
D537,874 S \* 3/2007 Korn et al. .... D18/56  
D576,205 S \* 9/2008 Aznoe et al. .... D18/56  
D582,975 S \* 12/2008 Aznoe et al. .... D18/56

\* cited by examiner

*Primary Examiner* — Cathy A MacCormac

(74) *Attorney, Agent, or Firm* — Tallam I. Nguti

(57) **CLAIM**

The ornamental design for an ink stick for a phase change ink jet printer, as shown and described.

**DESCRIPTION**

FIG. 1 is a perspective view of an ink stick for a phase change ink jet printer in accordance with the present invention;

FIG. 2 is a front view thereof;

FIG. 3 is a right side view thereof;

FIG. 4 is a rear view thereof;

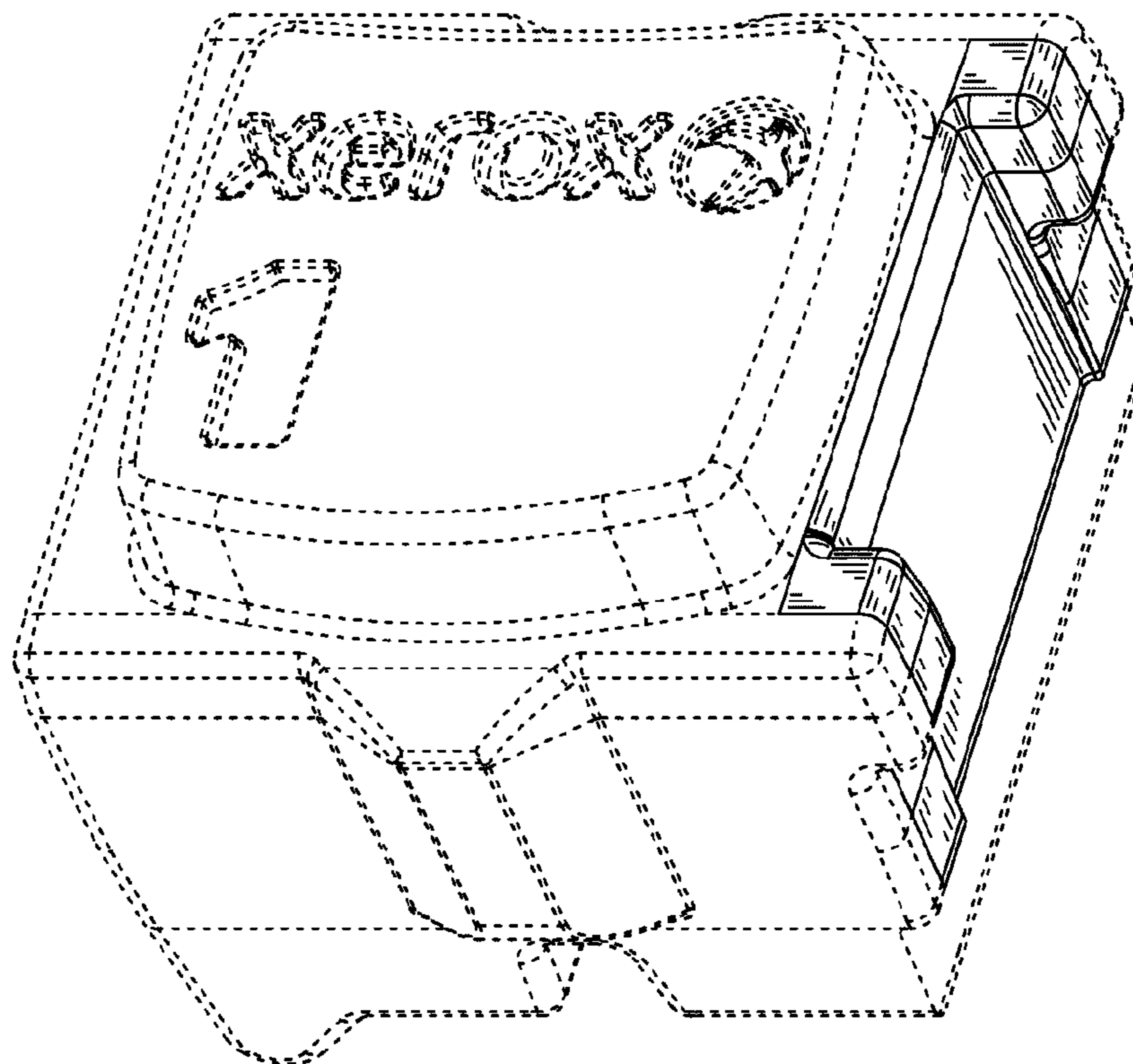
FIG. 5 is a left side view thereof;

FIG. 6 is a top plan view thereof; and,

FIG. 7 is a bottom plan view thereof.

The features shown in broken lines in the drawing figures depict environmental subject matter only and form no part of the claimed design.

**1 Claim, 7 Drawing Sheets**



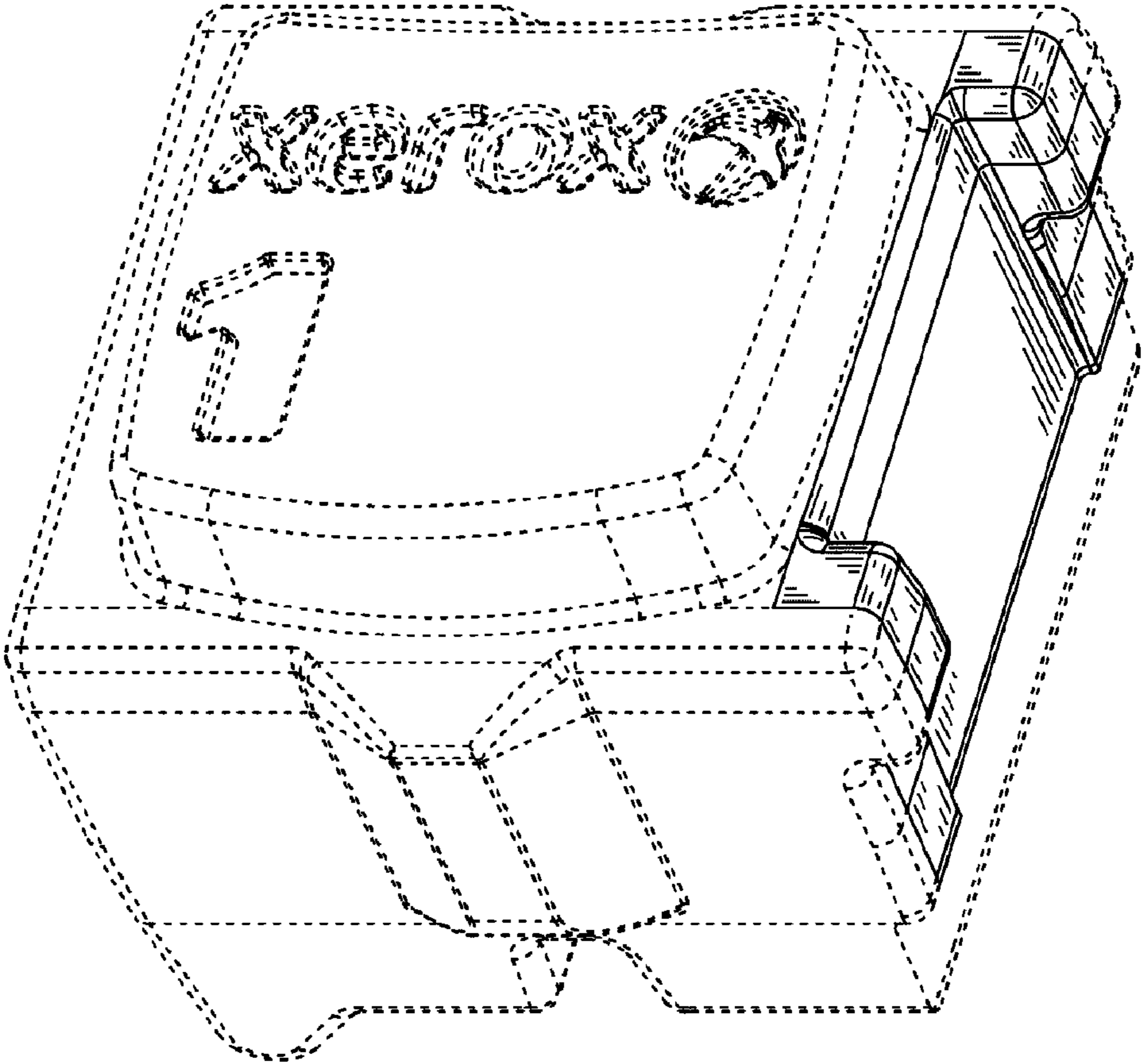


FIG. 1

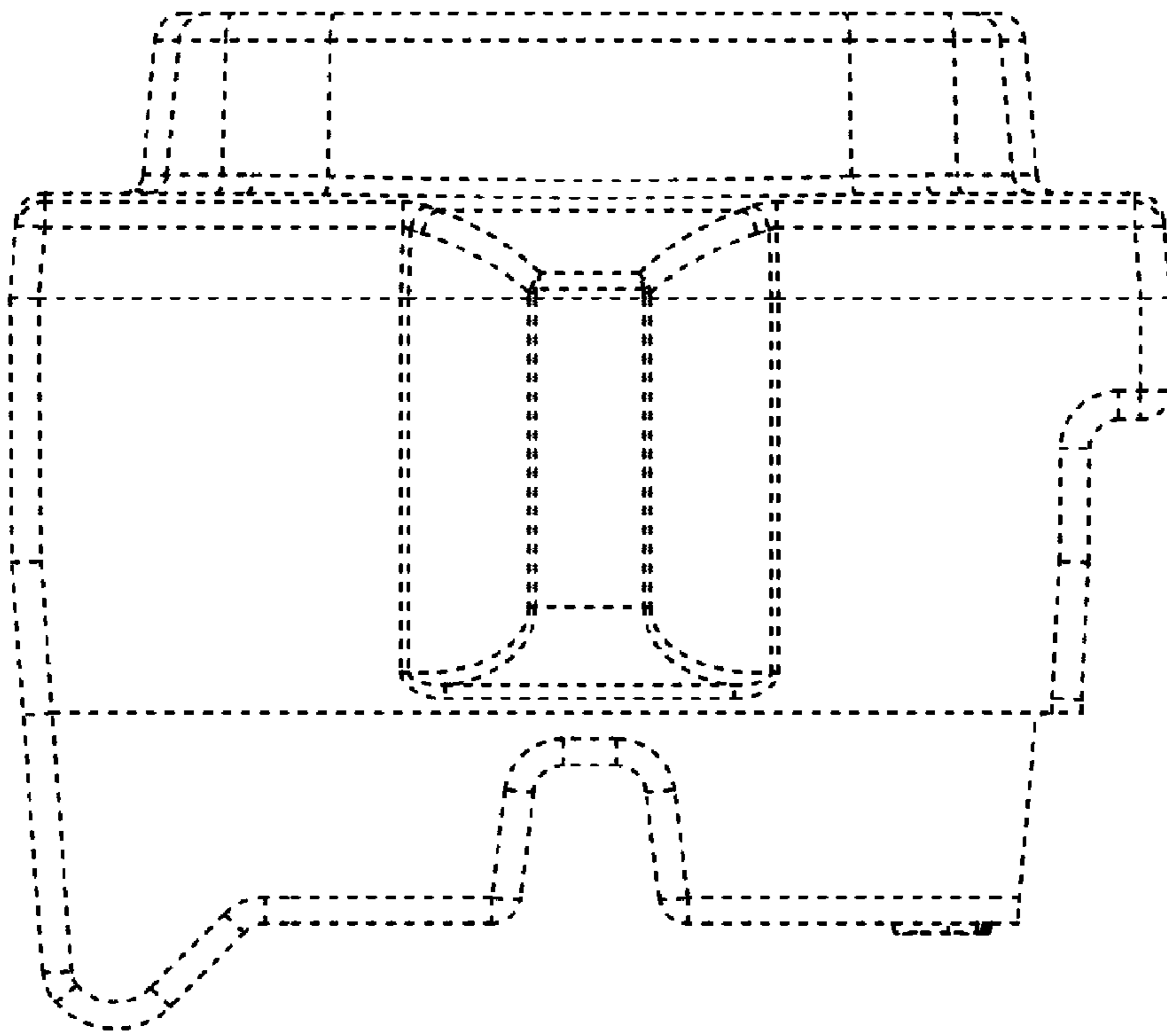


FIG. 2

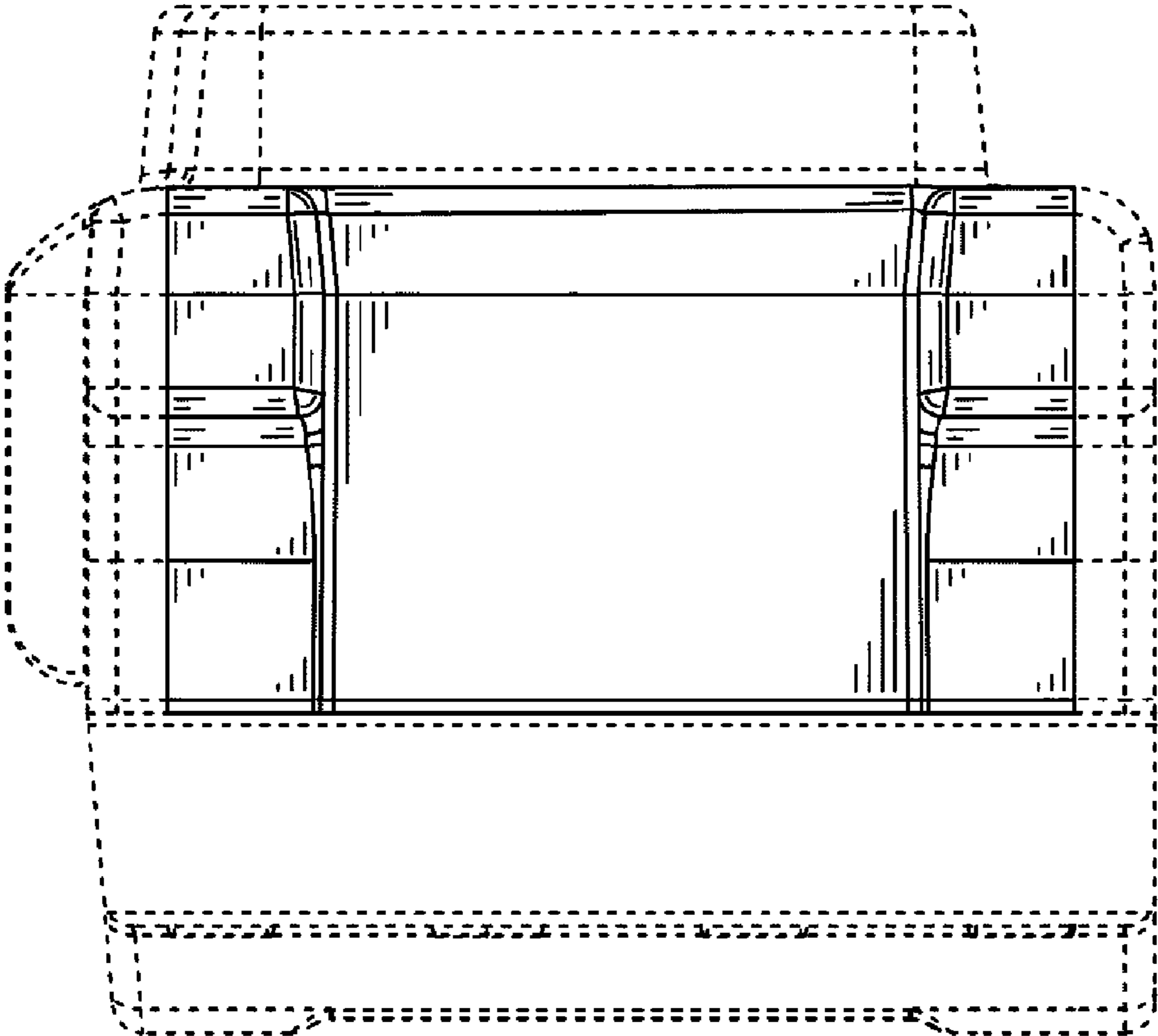


FIG. 3

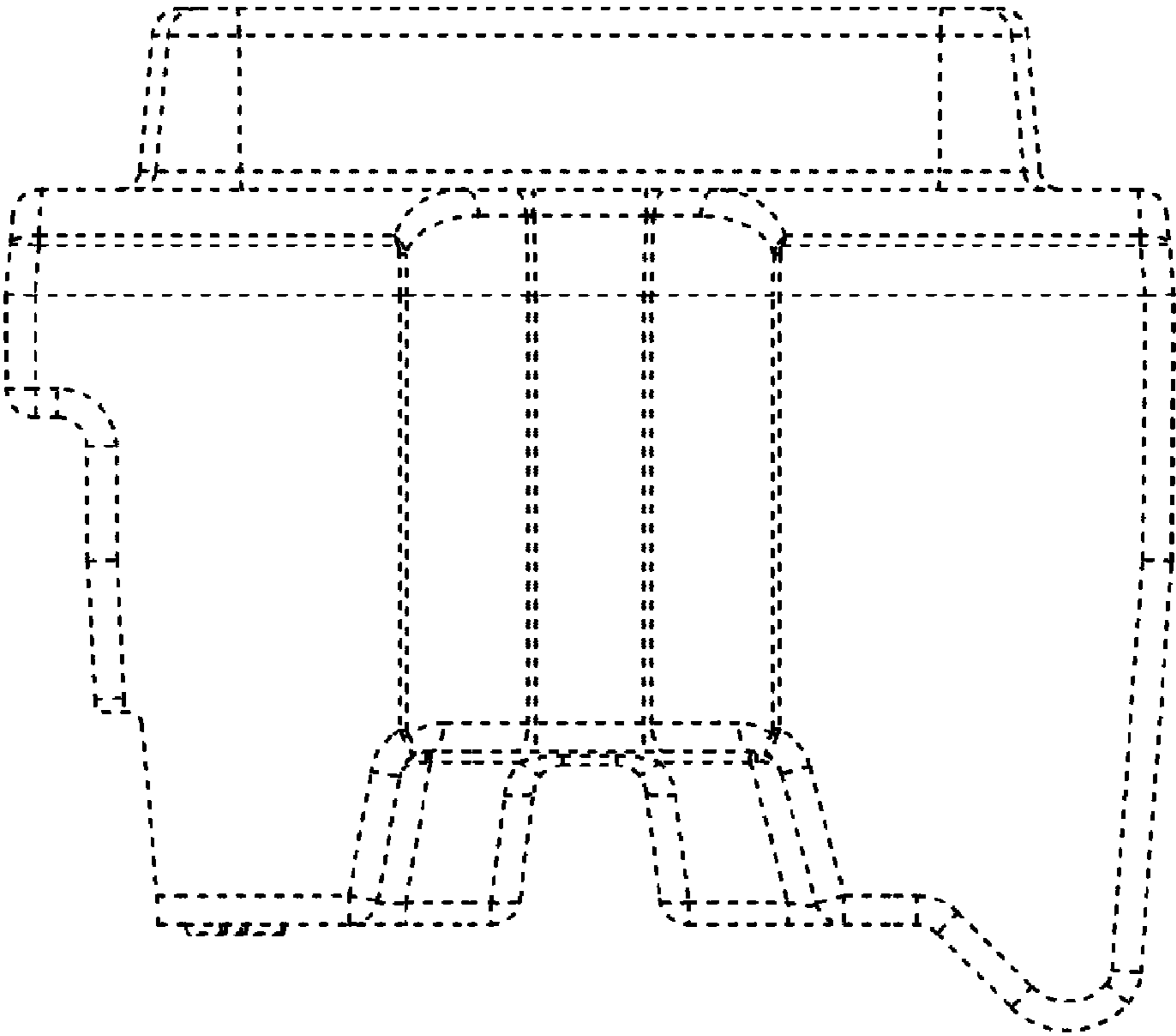


FIG. 4

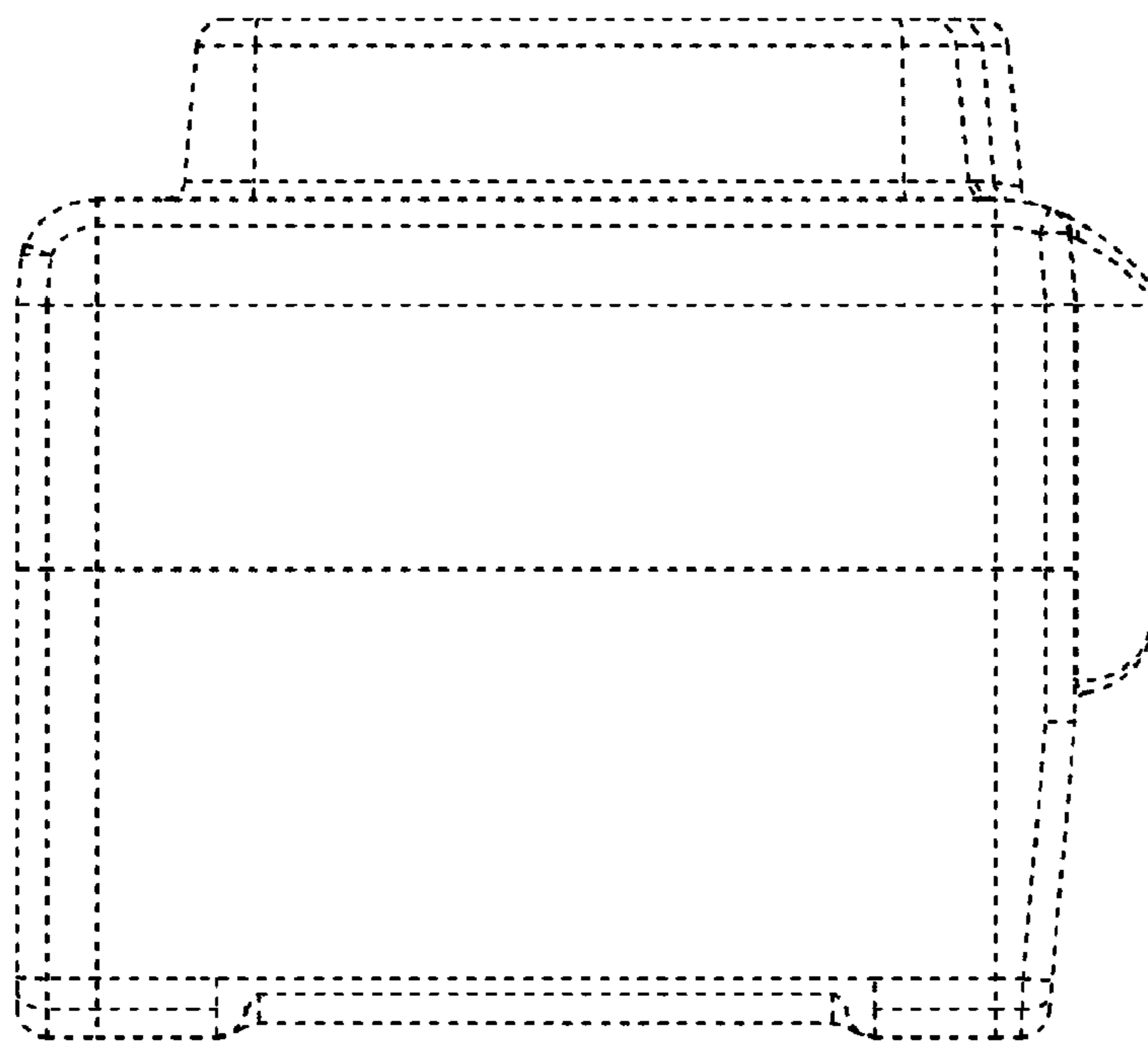


FIG. 5

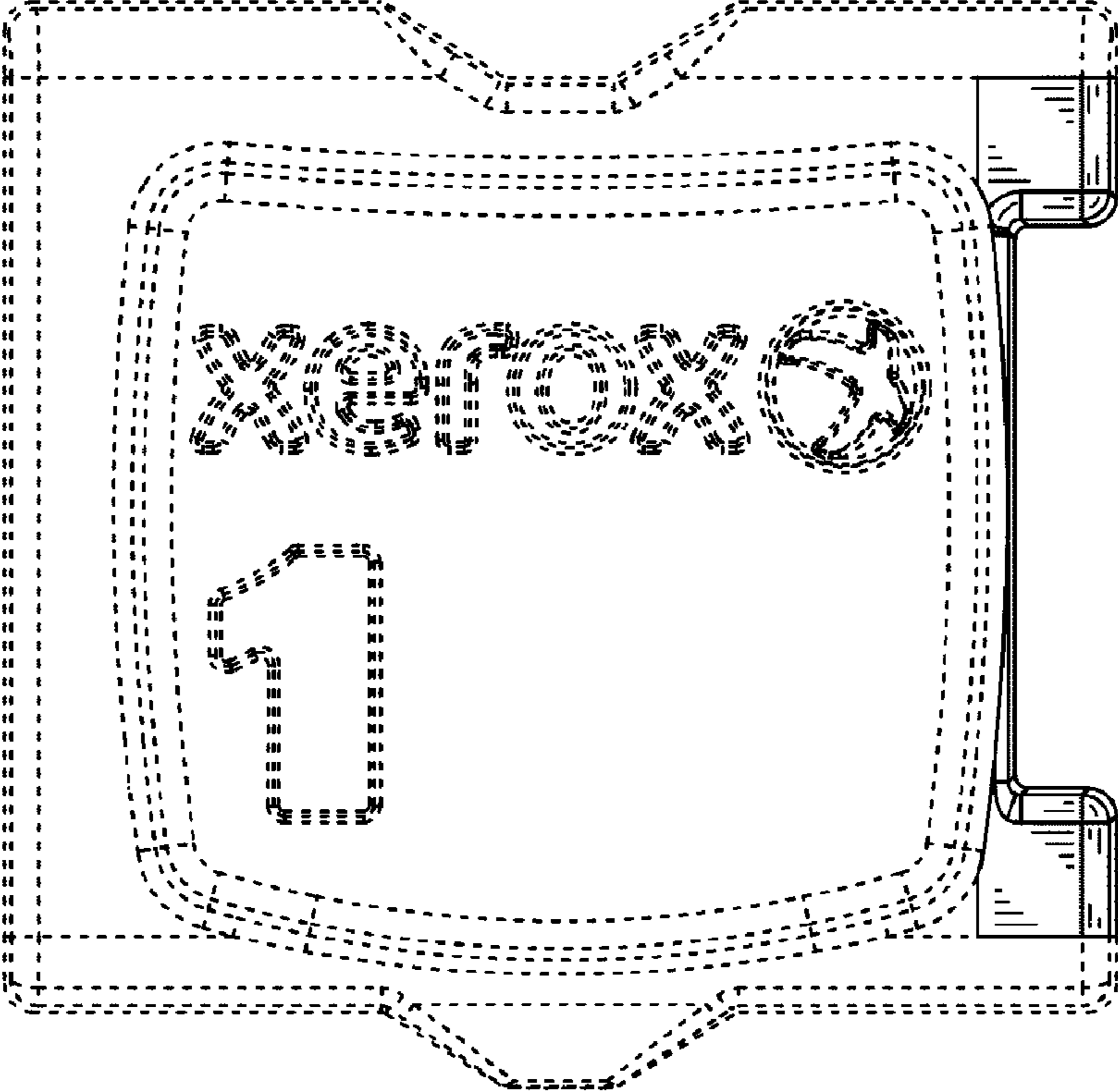


FIG. 6

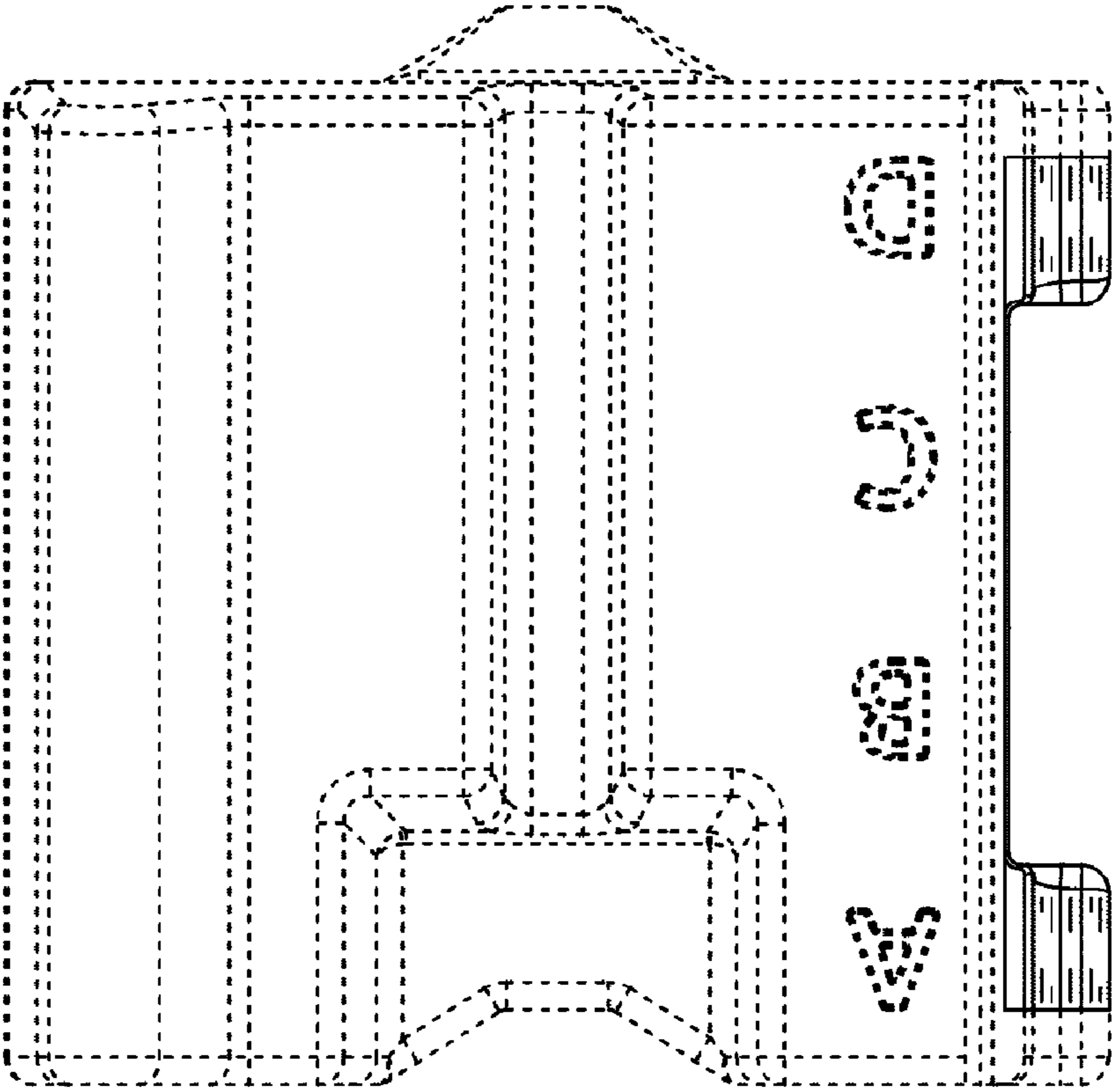


FIG. 7