



US00D650420S

(12) **United States Design Patent**  
**Butler et al.**

(10) **Patent No.:** **US D650,420 S**

(45) **Date of Patent:** **\*\* Dec. 13, 2011**

(54) **NARROW INK TANK WITH SERPENTINE AIR VENT**

(56) **References Cited**

U.S. PATENT DOCUMENTS

D469,463	S	*	1/2003	Yu et al.	.....	D18/56
D477,020	S	*	7/2003	Seino	.....	D18/56
D541,336	S	*	4/2007	Hattori	.....	D18/56
D548,779	S	*	8/2007	Katsuyama et al.	.....	D18/56
D569,420	S	*	5/2008	Hwang et al.	.....	D18/56
D586,850	S	*	2/2009	Matsumoto	.....	D18/56
D587,748	S	*	3/2009	Anderson et al.	.....	D18/56
D590,014	S	*	4/2009	Nip	.....	D18/56
D591,791	S	*	5/2009	Matsumoto	.....	D18/56
D598,050	S	*	8/2009	Nozawa	.....	D18/56
D613,331	S	*	4/2010	Park et al.	.....	D18/56
7,748,835	B2	*	7/2010	Miyazawa et al.	.....	347/86
7,815,298	B2	*	10/2010	Miyazawa et al.	.....	347/86

\* cited by examiner

*Primary Examiner* — David Muller

(57) **CLAIM**

We claim the ornamental design for a narrow ink tank with serpentine air vents, as shown and described.

**DESCRIPTION**

FIG. 1 is a perspective view of the narrow ink tank with serpentine air vents showing the new design;  
FIG. 2 is a front view thereof;  
FIG. 3 is a rear view thereof;  
FIG. 4 is a left side view thereof;  
FIG. 5 is a right side view thereof;  
FIG. 6 is a top plan view thereof; and,  
FIG. 7 is a bottom plan view thereof.

The broken line showing of parts of the drawings is included for the purpose of illustrating use and environment and forms no part of the claimed design.

**1 Claim, 6 Drawing Sheets**

(73) Assignee: **Lexmark International, Inc.**,  
Lexington, KY (US)

(\*\*) Term: **14 Years**

(21) Appl. No.: **29/351,832**

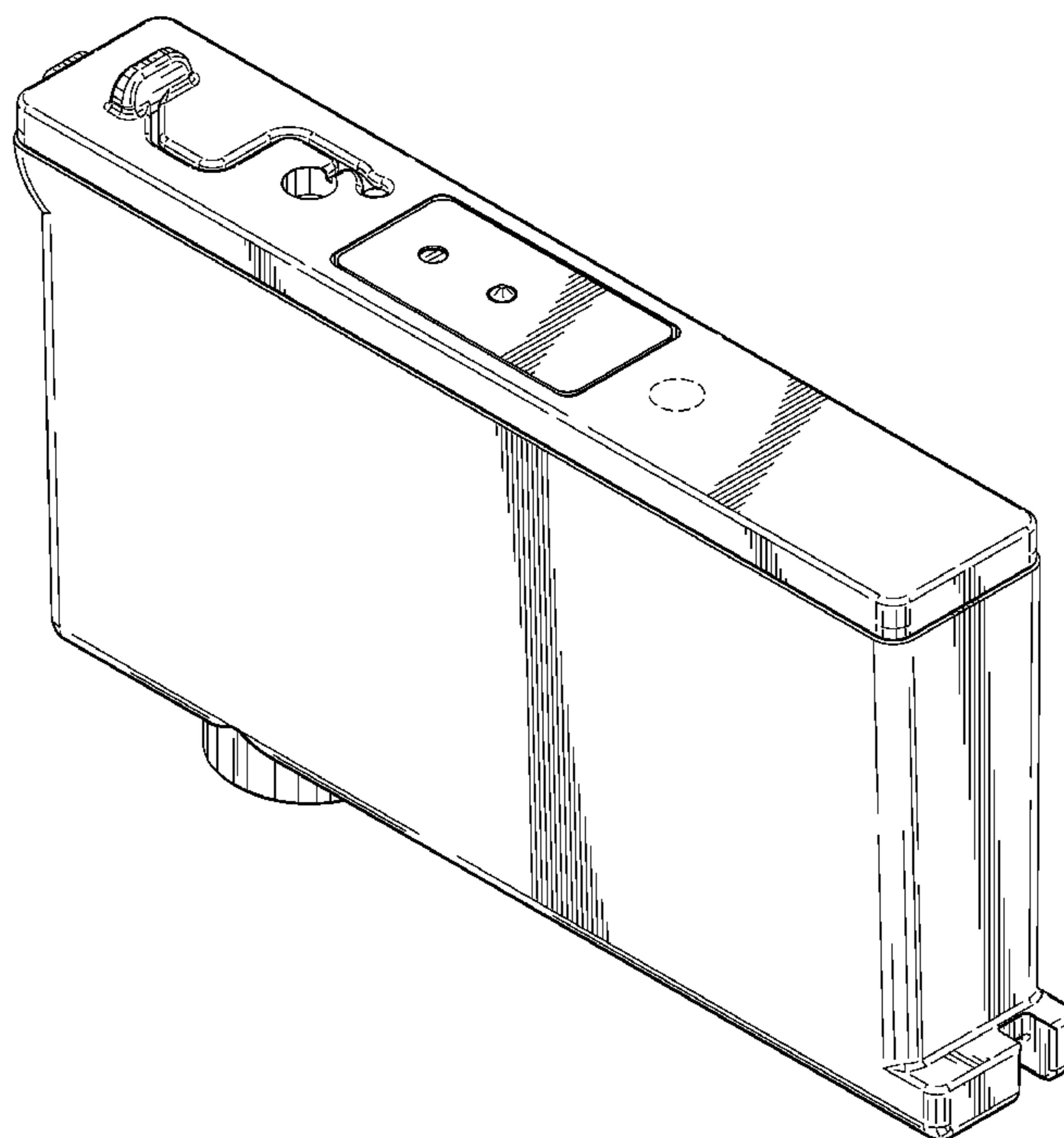
(22) Filed: **Dec. 11, 2009**

(51) **LOC (9) Cl.** ..... **18-02**

(52) **U.S. Cl.** ..... **D18/56**

(58) **Field of Classification Search** ..... D18/40,  
D18/43, 56; 347/86, 87

See application file for complete search history.



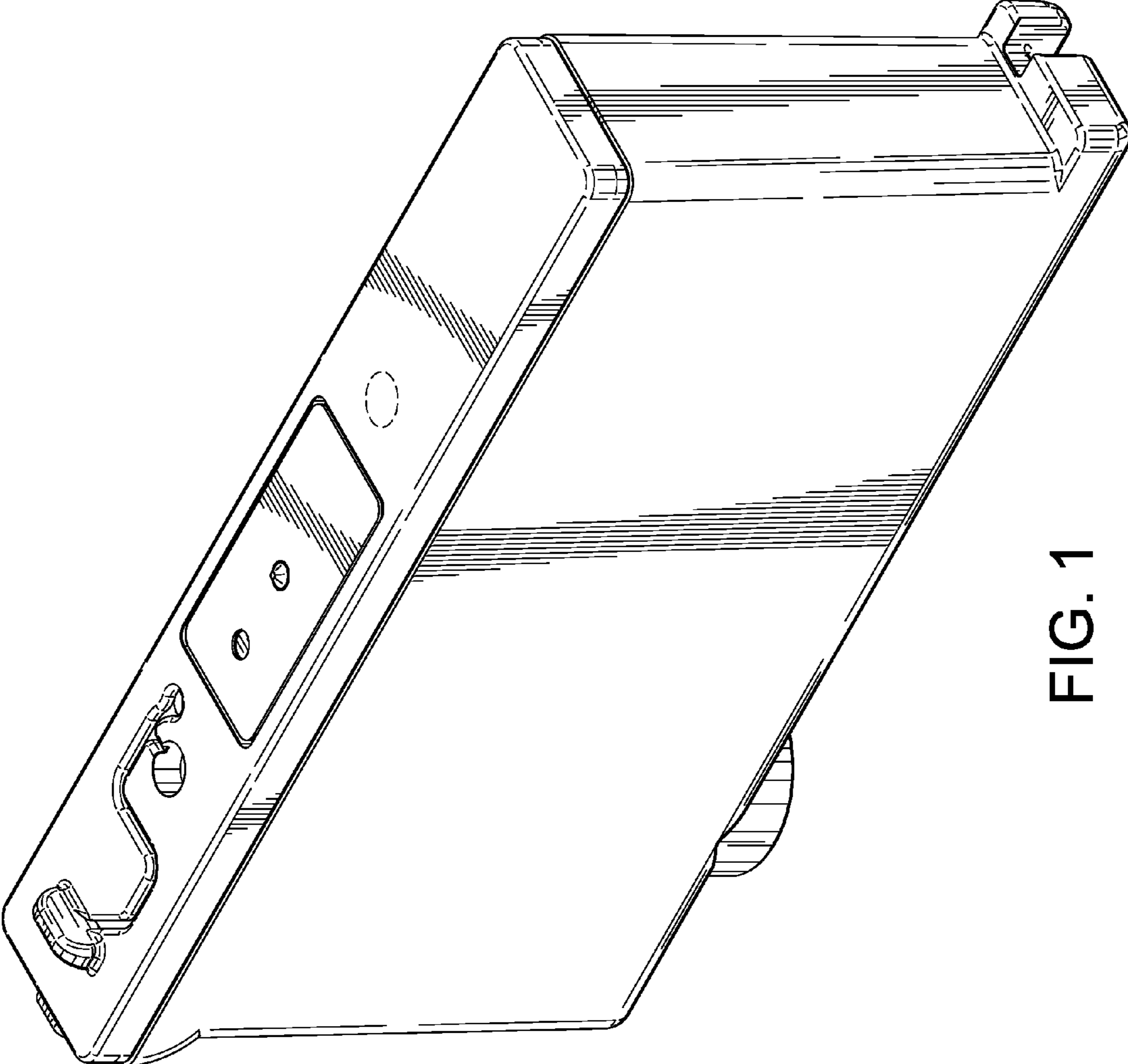


FIG. 1

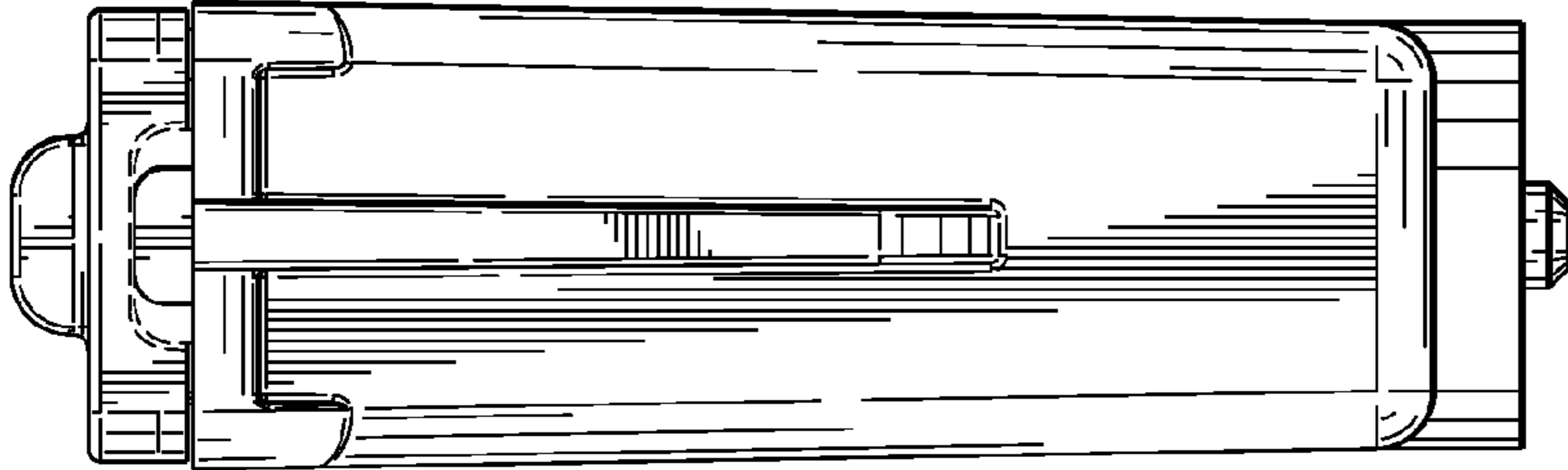


FIG. 3

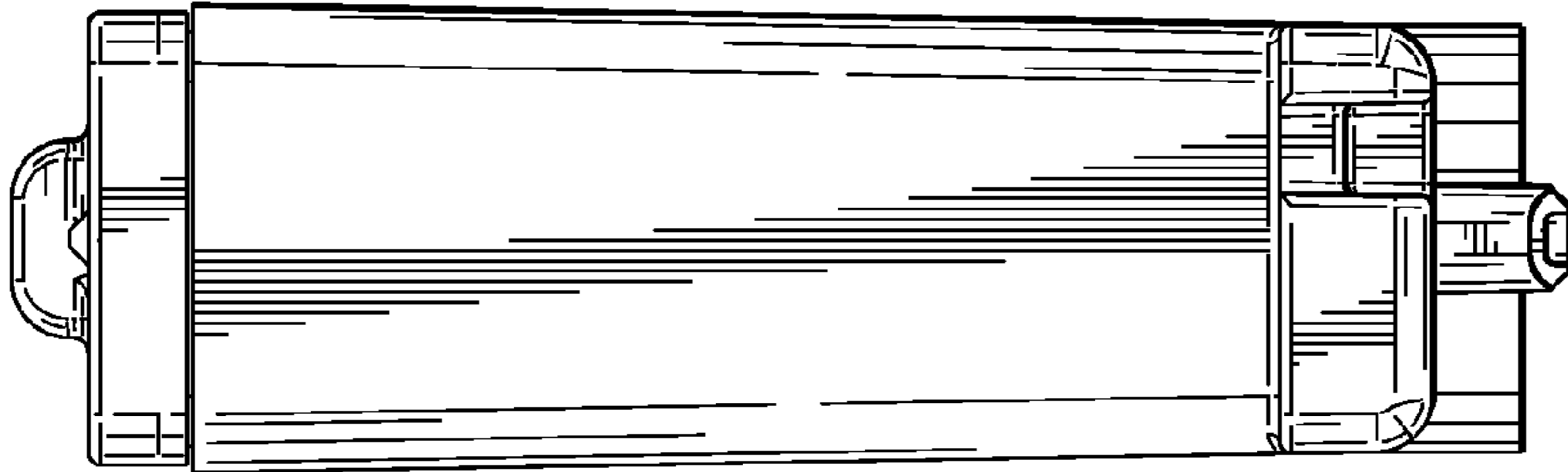


FIG. 2

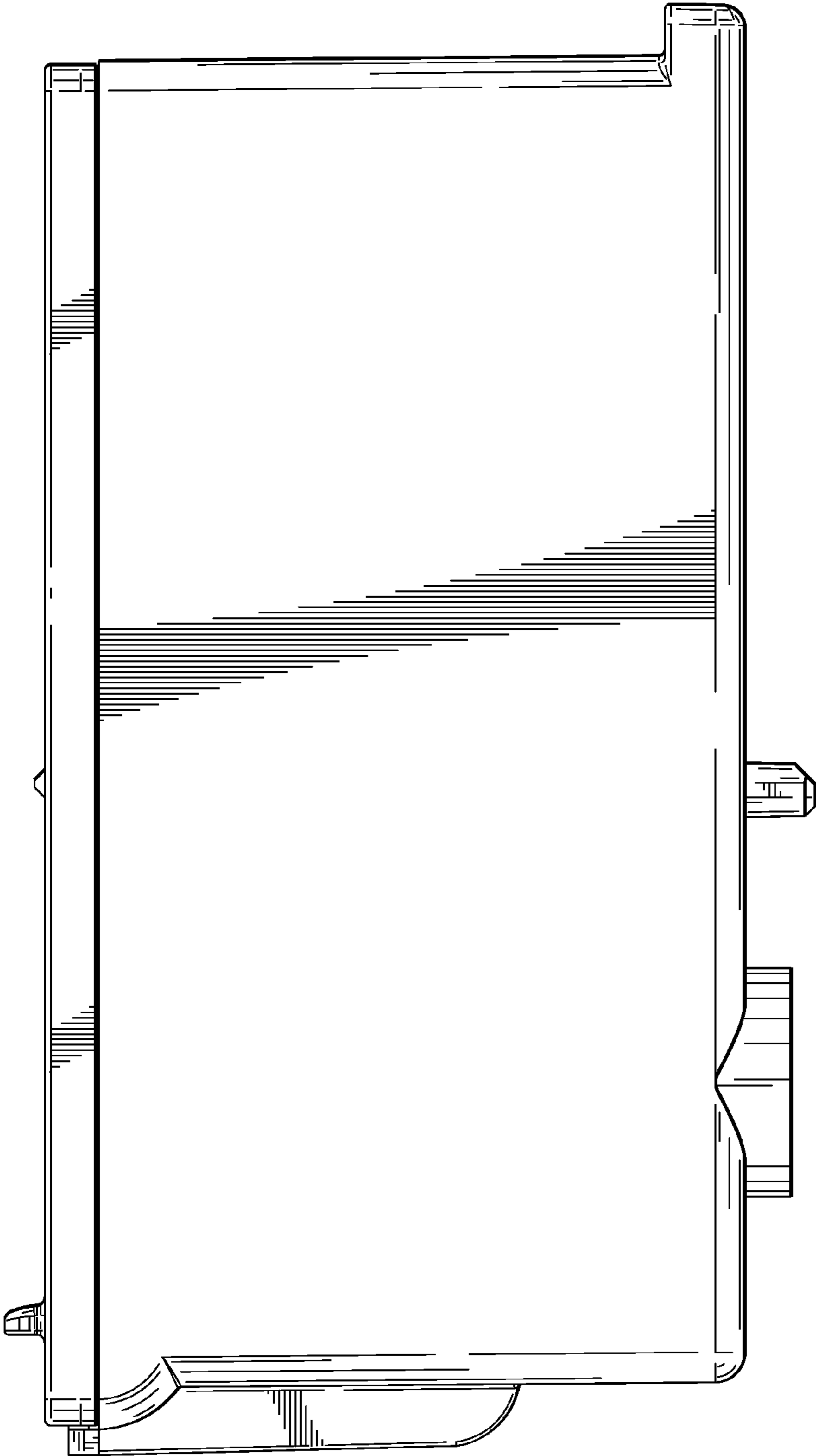


FIG. 4

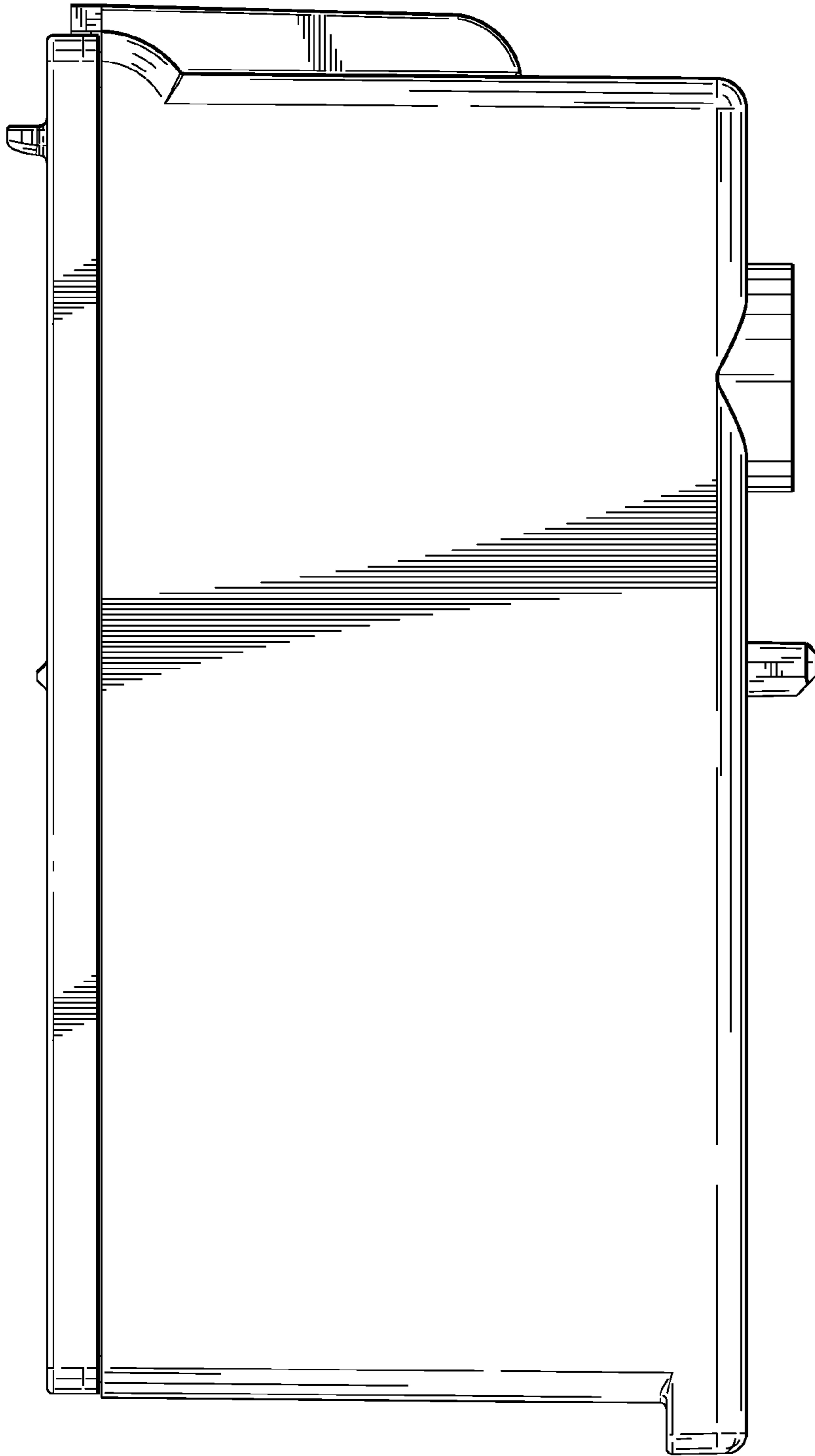


FIG. 5

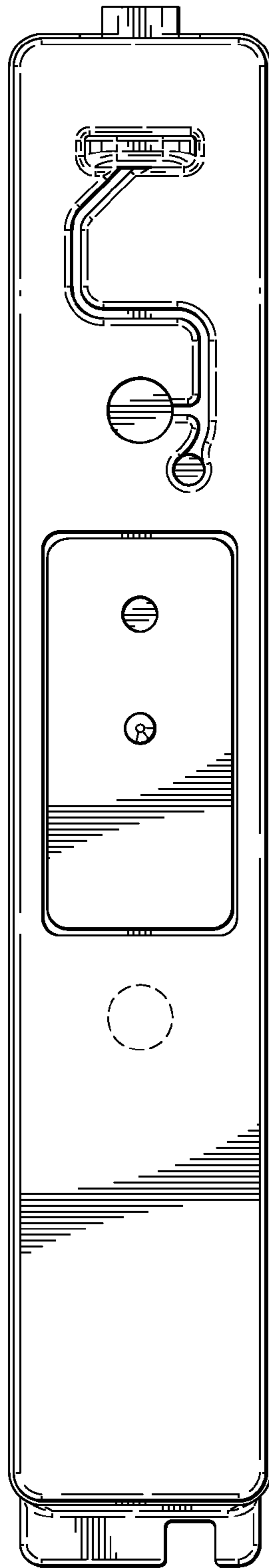


FIG. 6

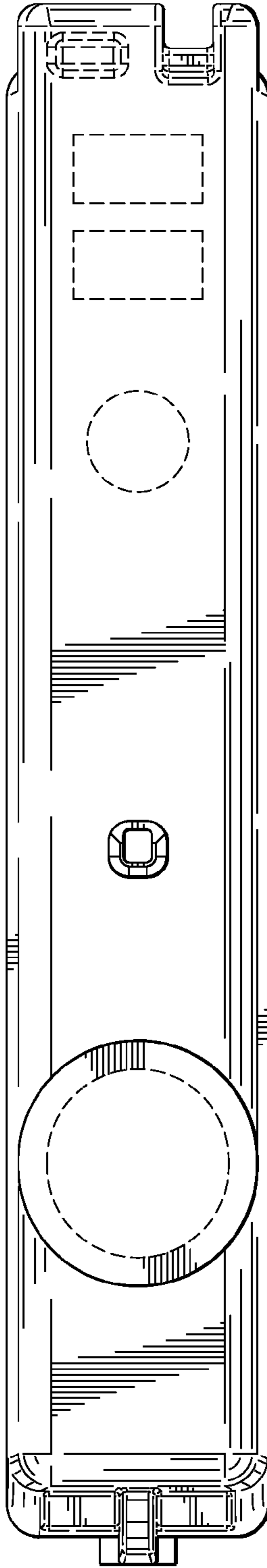


FIG. 7