



US00D650418S

(12) **United States Design Patent**
Butler et al.

(10) **Patent No.:** **US D650,418 S**

(45) **Date of Patent:** **** Dec. 13, 2011**

(54) **TRI-COLOR TANK WITH SERPENTINE AIR VENTS**

(56) **References Cited**

U.S. PATENT DOCUMENTS

D455,780	S	*	4/2002	Seino et al.	D18/56
D535,326	S	*	1/2007	Chang	D18/56
D535,688	S	*	1/2007	Tajima et al.	D18/56
D538,335	S	*	3/2007	Chang	D18/56
7,192,129	B2	*	3/2007	Droege et al.	347/87
D548,780	S	*	8/2007	Hayashi et al.	D18/56
D564,580	S	*	3/2008	Nip	D18/56
D571,396	S	*	6/2008	Nip	D18/56
D571,852	S	*	6/2008	Nip	D18/56
D597,595	S	*	8/2009	Nip	D18/56
D602,076	S	*	10/2009	Saikawa et al.	D18/56
D602,521	S	*	10/2009	Saikawa et al.	D18/56
7,789,500	B2	*	9/2010	Trafton et al.	347/86

* cited by examiner

Primary Examiner — David Muller

(57) **CLAIM**

We claim the ornamental design for a tri-color tank with serpentine air vents, as shown and described.

DESCRIPTION

FIG. 1 is a perspective view of the tri-color tank with serpentine air vents showing the new design; FIG. 2 is a front view thereof; FIG. 3 is a rear view thereof; FIG. 4 is a left side view thereof; FIG. 5 is a right side view thereof; FIG. 6 is a top plan view thereof; and, FIG. 7 is a bottom plan view thereof.

The broken line showing of parts of the drawings is included for the purpose of illustrating use and environment and forms no part of the claimed design.

1 Claim, 6 Drawing Sheets

(73) Assignee: **Lexmark International, Inc.**,
Lexington, KY (US)

(**) Term: **14 Years**

(21) Appl. No.: **29/351,827**

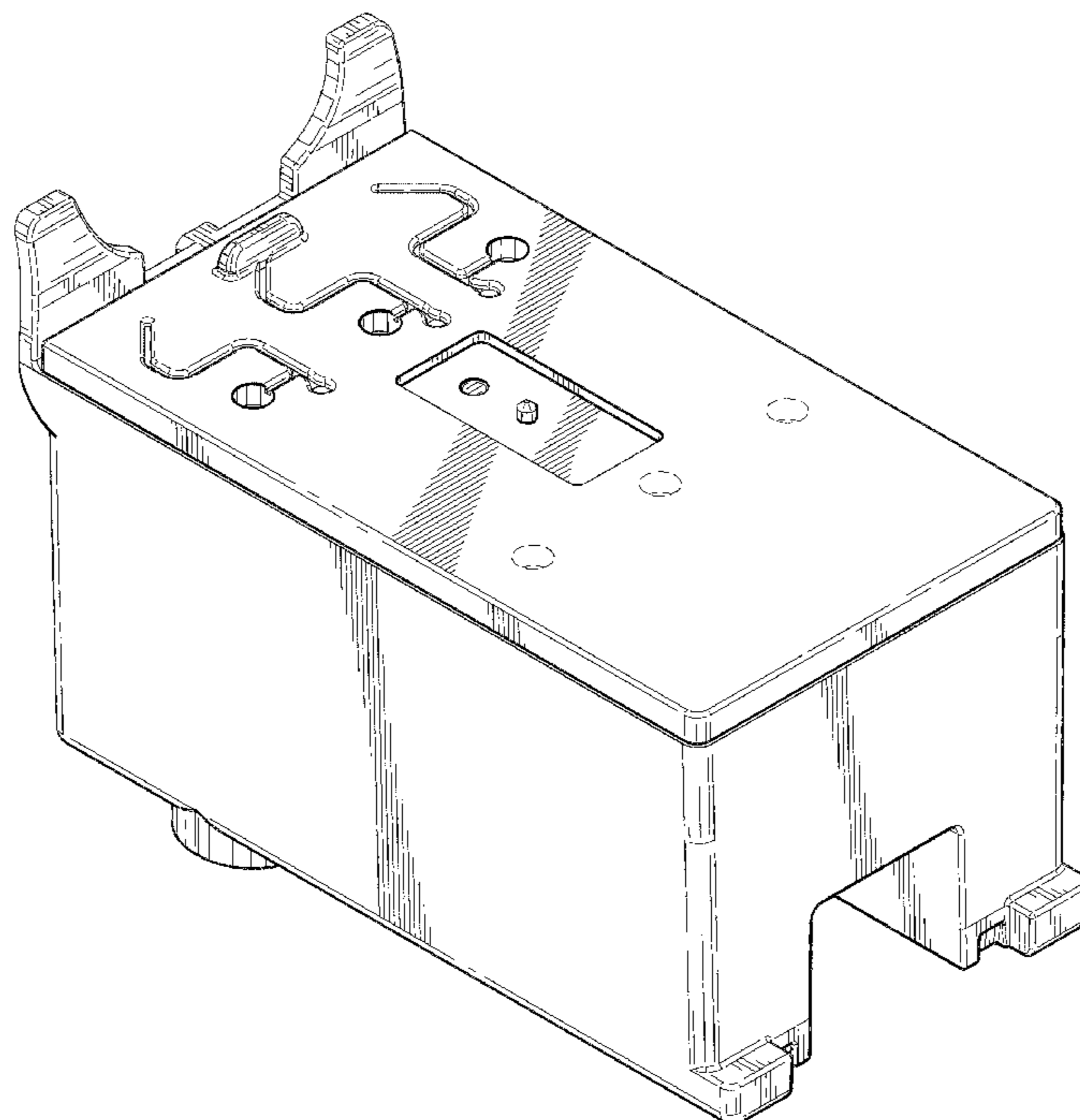
(22) Filed: **Dec. 11, 2009**

(51) **LOC (9) Cl.** **18-02**

(52) **U.S. Cl.** **D18/56**

(58) **Field of Classification Search** D18/40,
D18/43, 56; 347/86, 87

See application file for complete search history.



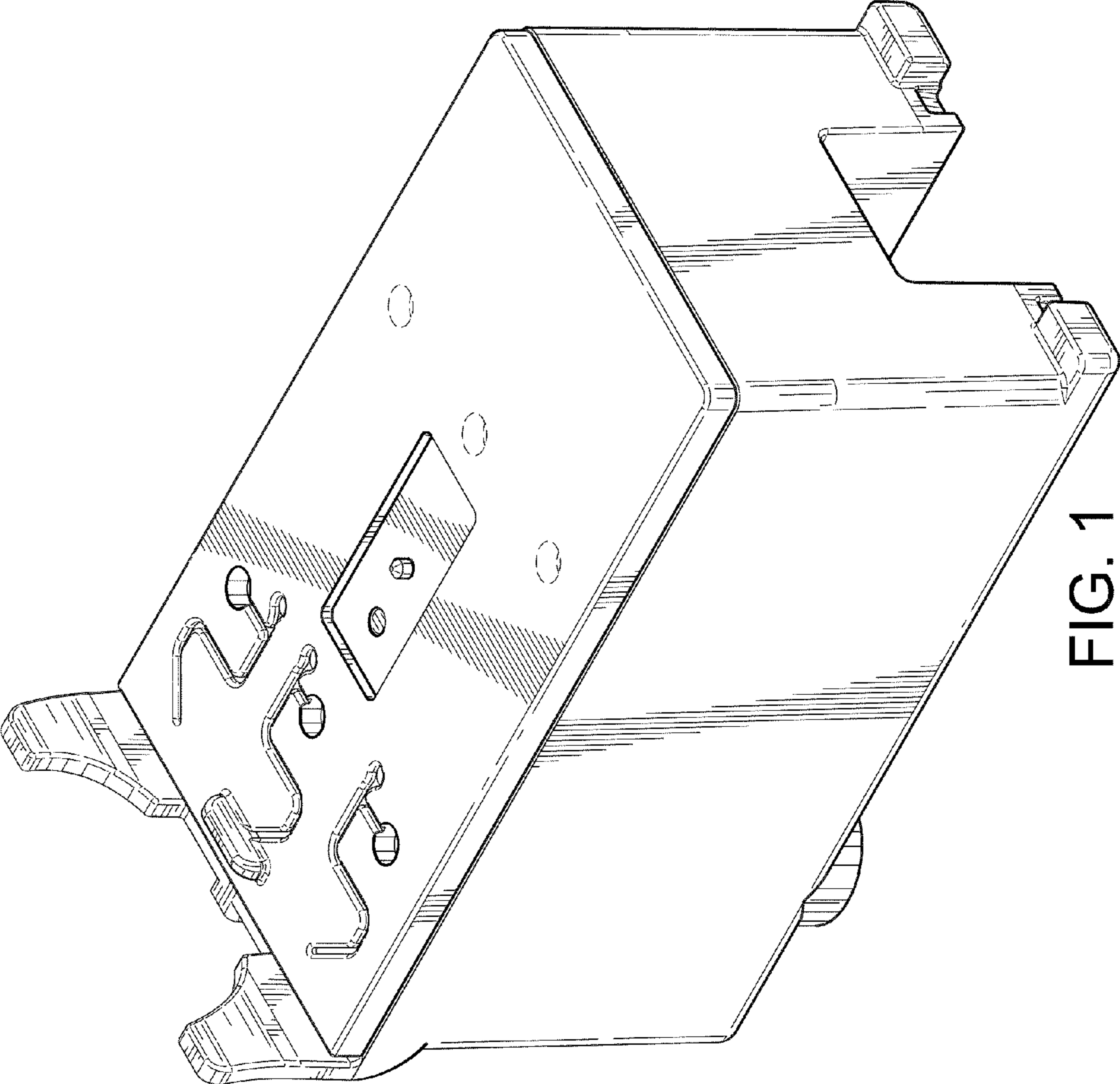


FIG. 1

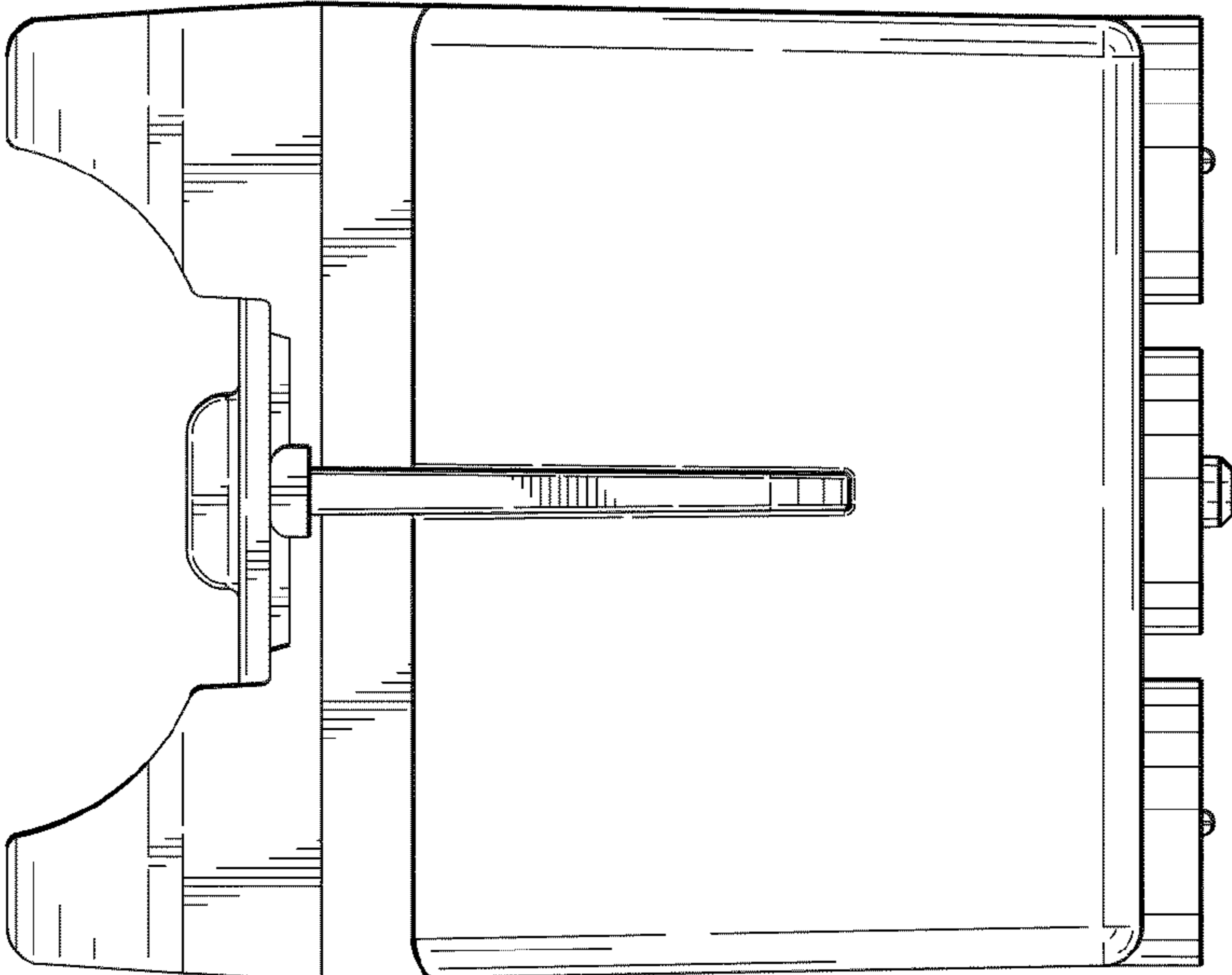


FIG. 3

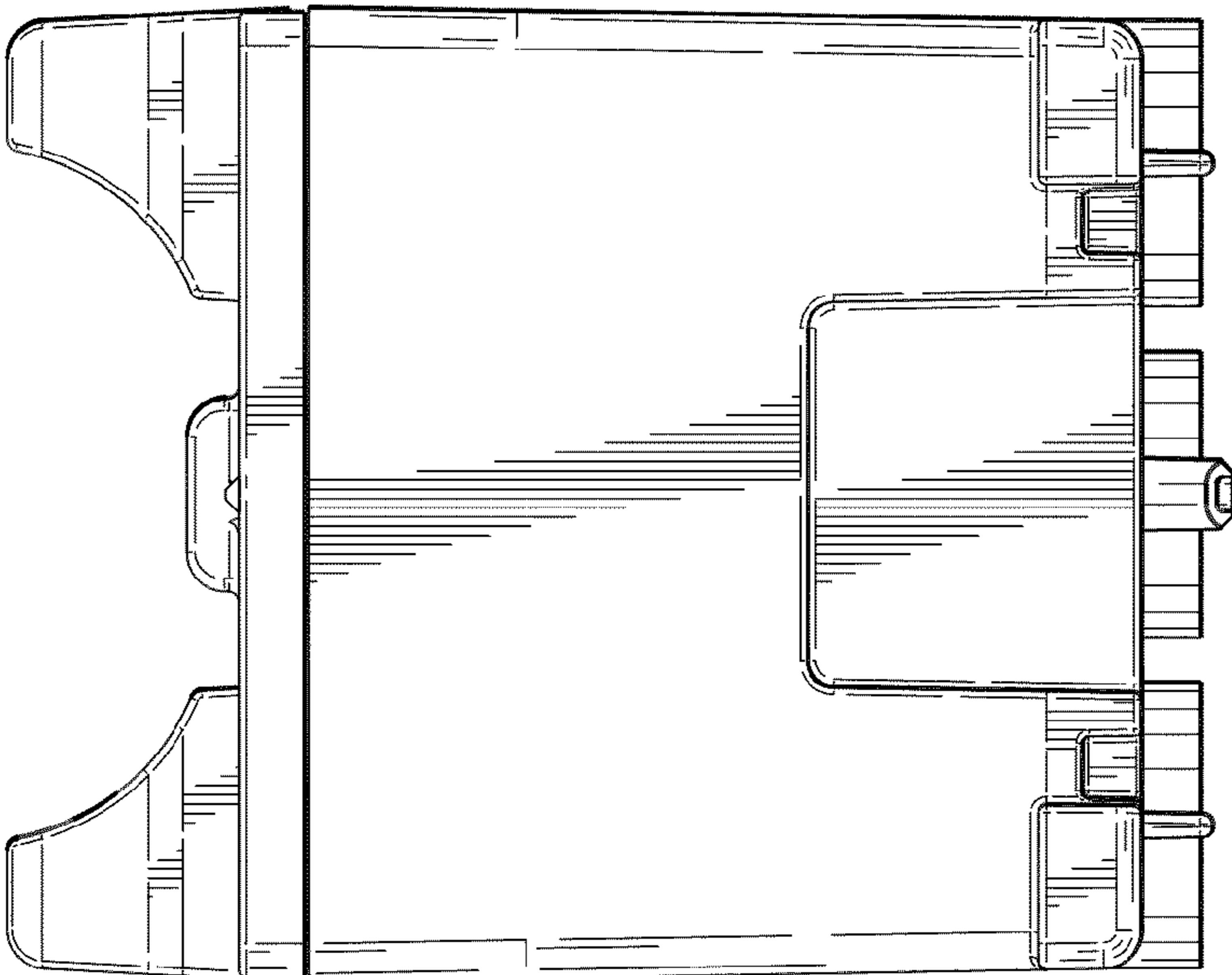


FIG. 2

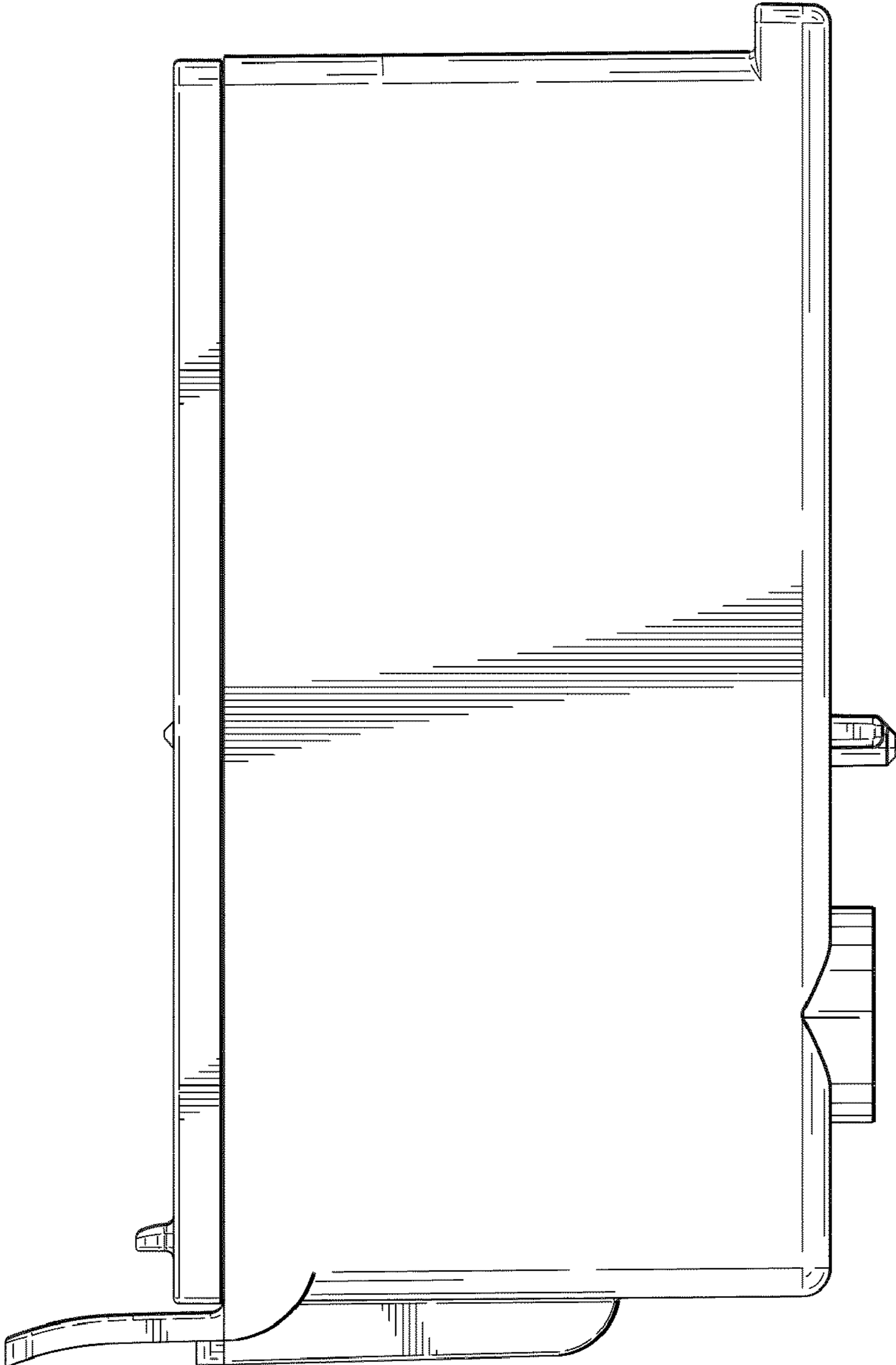


FIG. 4

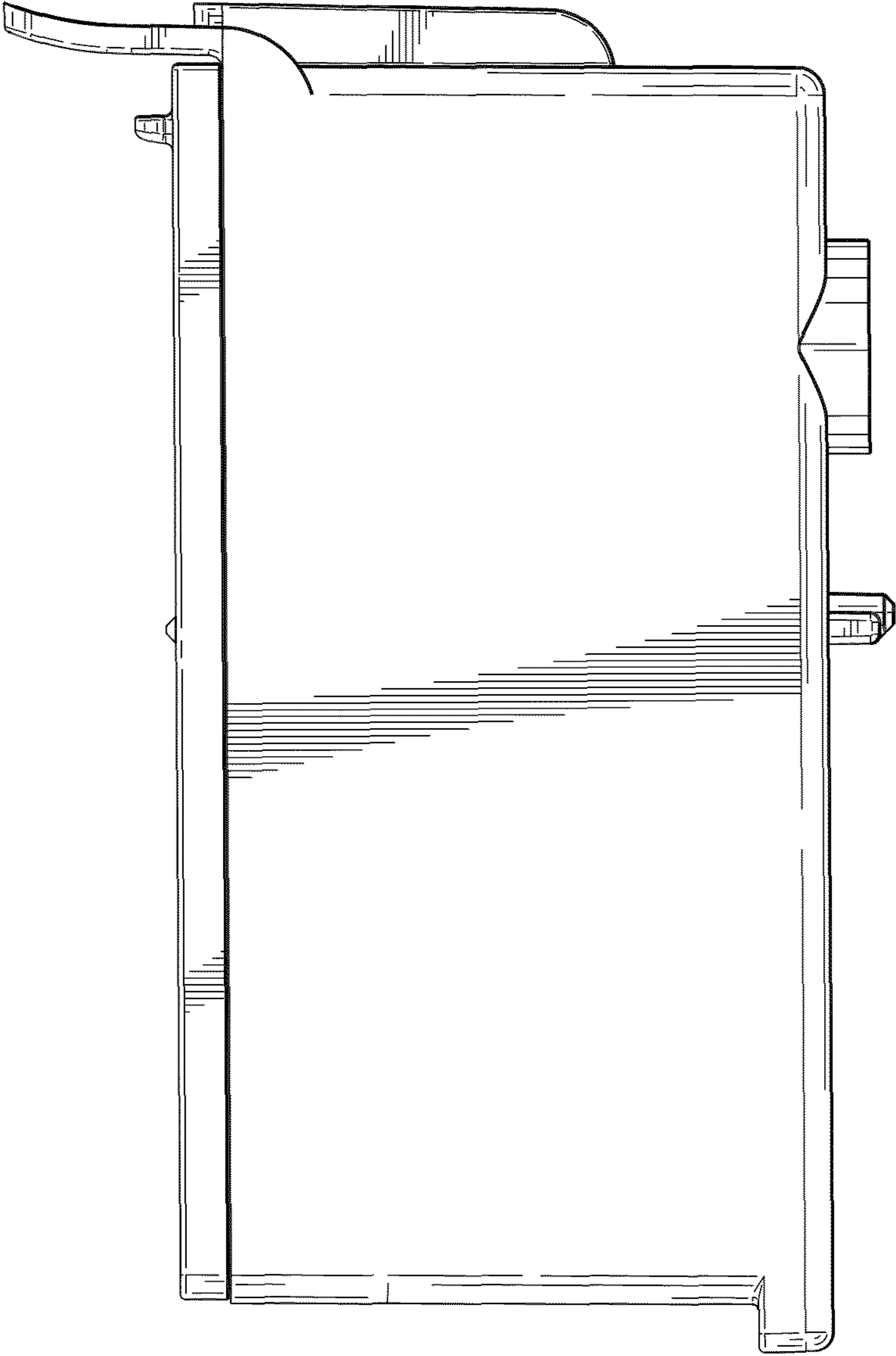


FIG. 5

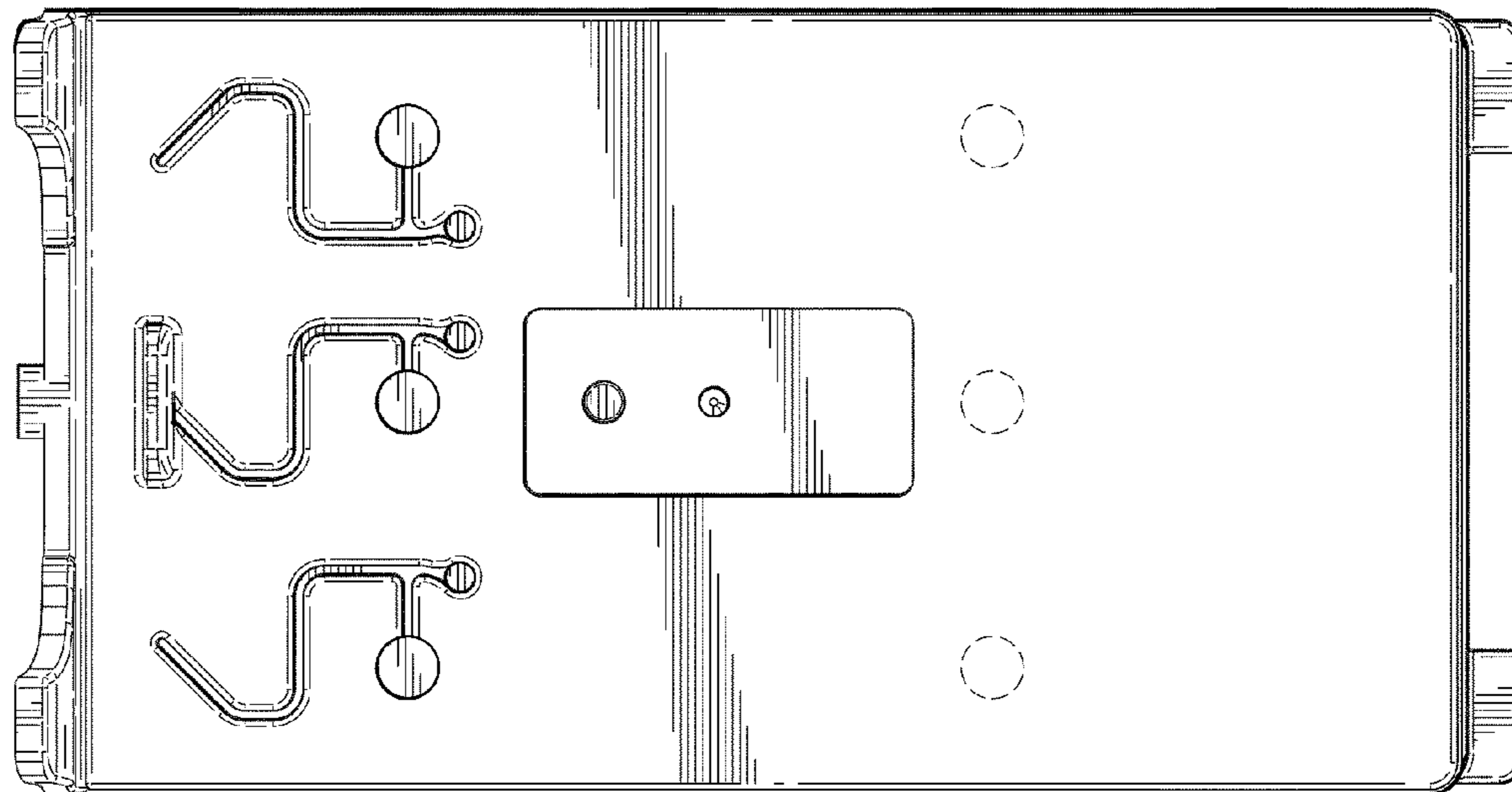


FIG. 6

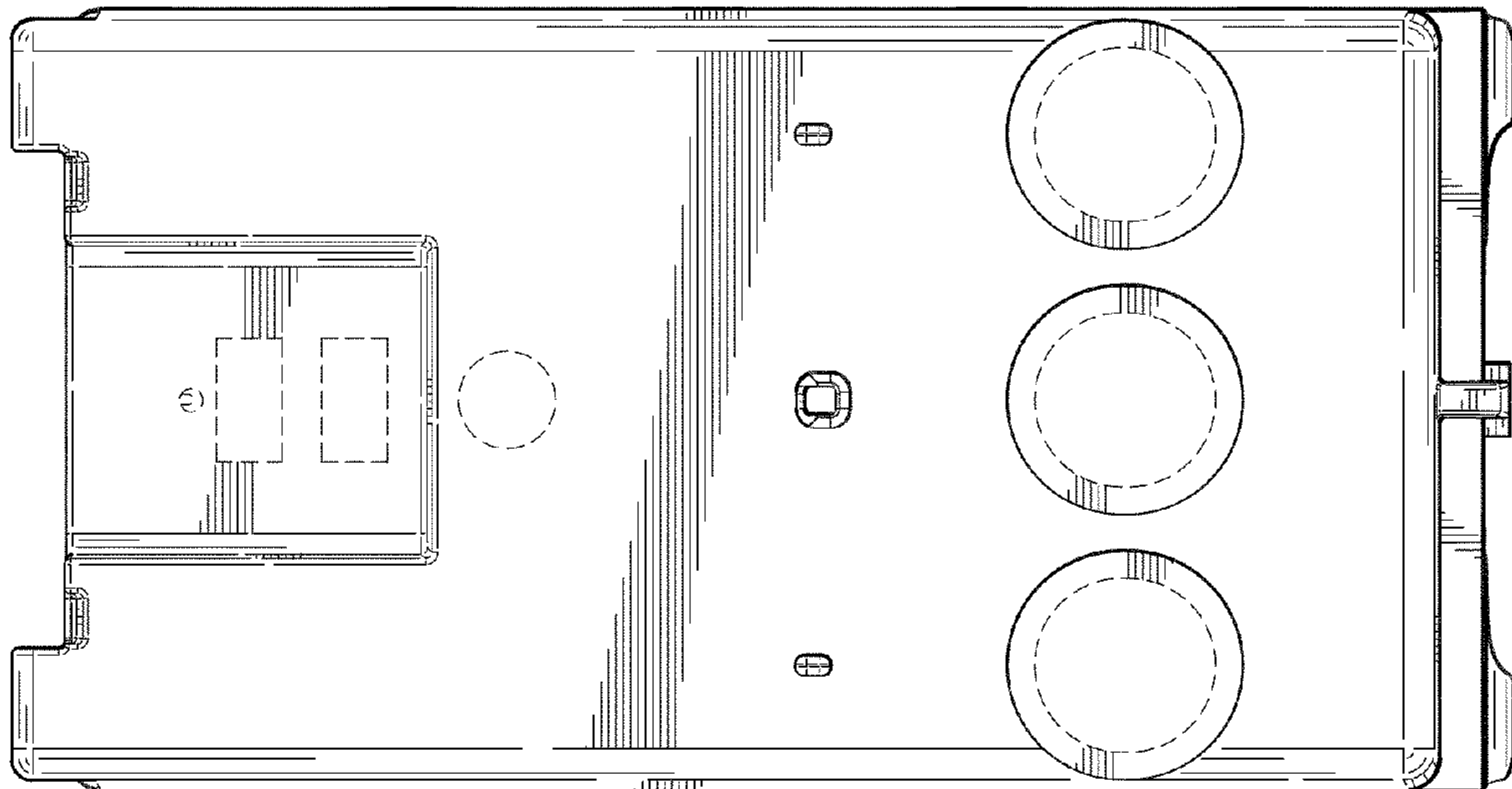


FIG. 7