



US00D650416S

(12) **United States Design Patent**
Saito

(10) **Patent No.:** **US D650,416 S**
(45) **Date of Patent:** **** Dec. 13, 2011**

(54) **TONER CARTRIDGE**

(75) Inventor: **Kazuhiro Saito**, Kanagawa (JP)

(73) Assignee: **Fuji Xerox Co., Ltd.**, Tokyo (JP)

(**) Term: **14 Years**

(21) Appl. No.: **29/387,476**

(22) Filed: **Mar. 14, 2011**

(30) **Foreign Application Priority Data**

Sep. 15, 2010 (JP) 2010-022192

(51) **LOC (9) Cl.** **16-03**

(52) **U.S. Cl.** **D18/43**

(58) **Field of Classification Search** D14/471;
D18/12, 36, 40, 43, 44, 56; 222/DIG. 1;
347/197, 222; 399/24-28, 107-112, 119,
399/121, 122, 222-224

See application file for complete search history.

(56) **References Cited**

U.S. PATENT DOCUMENTS

D371,389 S *	7/1996	Taneya et al.	D18/56
D374,033 S *	9/1996	Tokuda et al.	D18/56
D390,867 S *	2/1998	Kurisu	D18/40
D431,593 S *	10/2000	Gumbe	D18/40
D471,582 S *	3/2003	Mori	D18/40
D537,105 S *	2/2007	Obenshain et al.	D18/12
D553,673 S *	10/2007	Ikeda	D18/43
D585,090 S *	1/2009	Ishizawa	D18/56

D612,415 S *	3/2010	Harada	D18/56
D614,695 S *	4/2010	Harada	D18/56
2010/0322666 A1	12/2010	Inomata et al.		

FOREIGN PATENT DOCUMENTS

JP 2011-7828 A 1/2011

* cited by examiner

Primary Examiner — Garth Rademaker

(74) *Attorney, Agent, or Firm* — Sughrue Mion, PLLC

(57) **CLAIM**

The ornamental design for a toner cartridge, as shown and described.

DESCRIPTION

FIG. 1 is a bottom, rear, left side perspective view of a toner cartridge showing my new design;
FIG. 2 is a bottom, front, left side perspective view thereof;
FIG. 3 is a top, rear, right side perspective view thereof;
FIG. 4 is a top, rear, left side perspective view thereof;
FIG. 5 is another top, rear, left side perspective view thereof;
FIG. 6 is a front view thereof;
FIG. 7 is a rear view thereof;
FIG. 8 is a top plan view thereof;
FIG. 9 is a bottom view thereof;
FIG. 10 is a left side view thereof; and,
FIG. 11 is a right side view thereof.

The portions of the article in broken line are shown for illustrative purposes only and form no part of the claimed design. The portions of the article in dashed-dotted line are shown for boundaries between the claimed portion and the non-claimed portion and form no part of the claimed design.

1 Claim, 10 Drawing Sheets

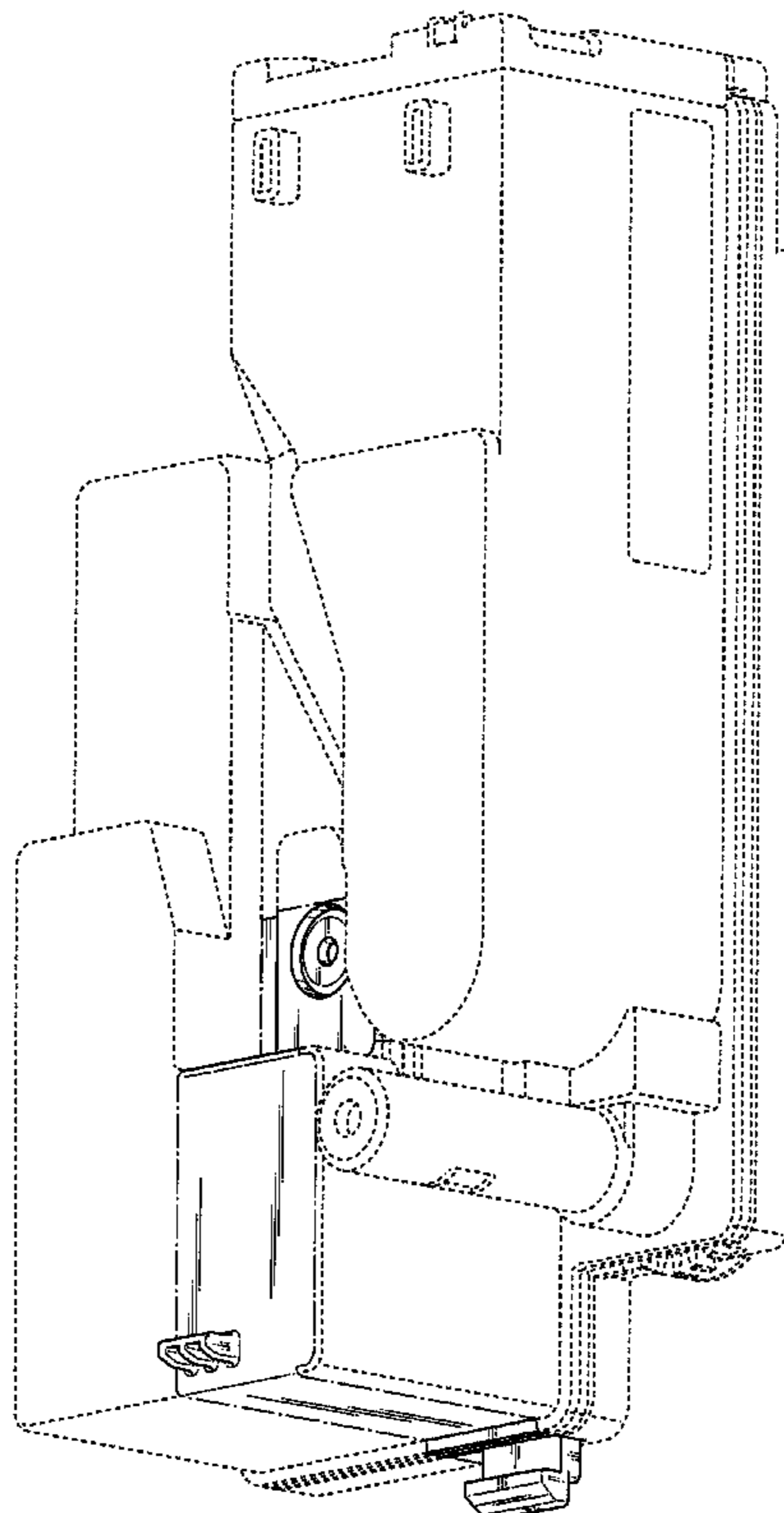


Fig. 1

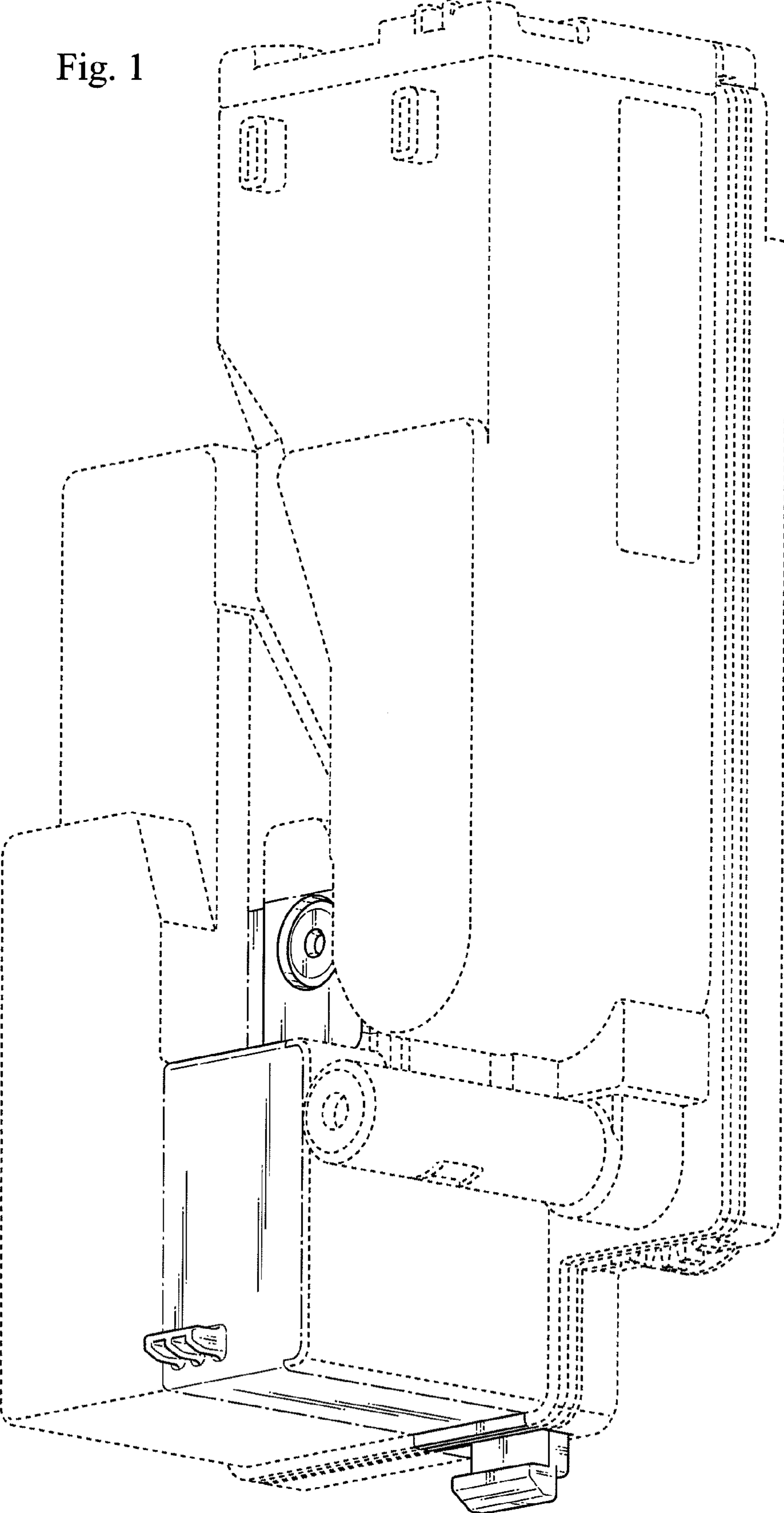


Fig. 2

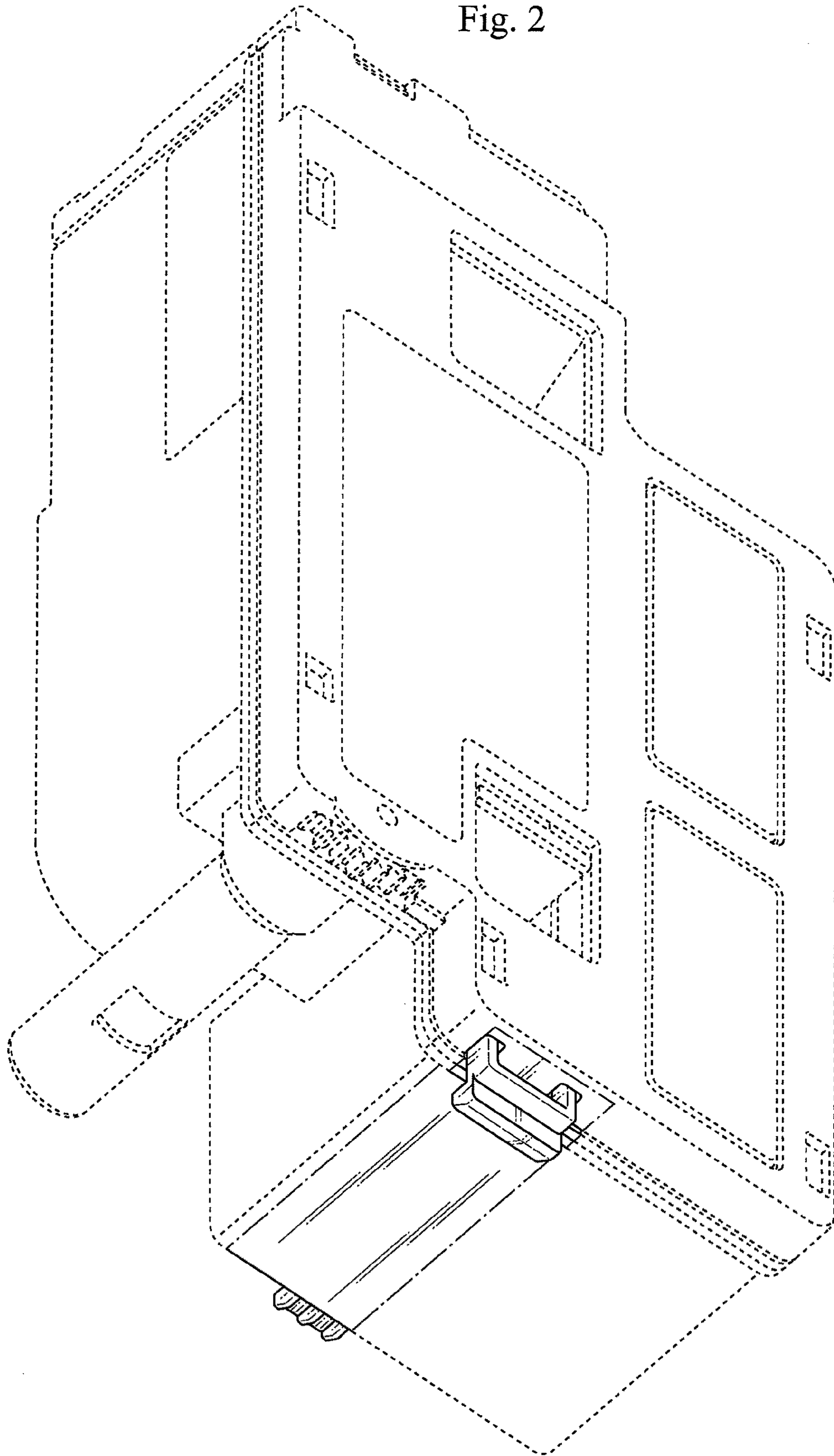


Fig. 3

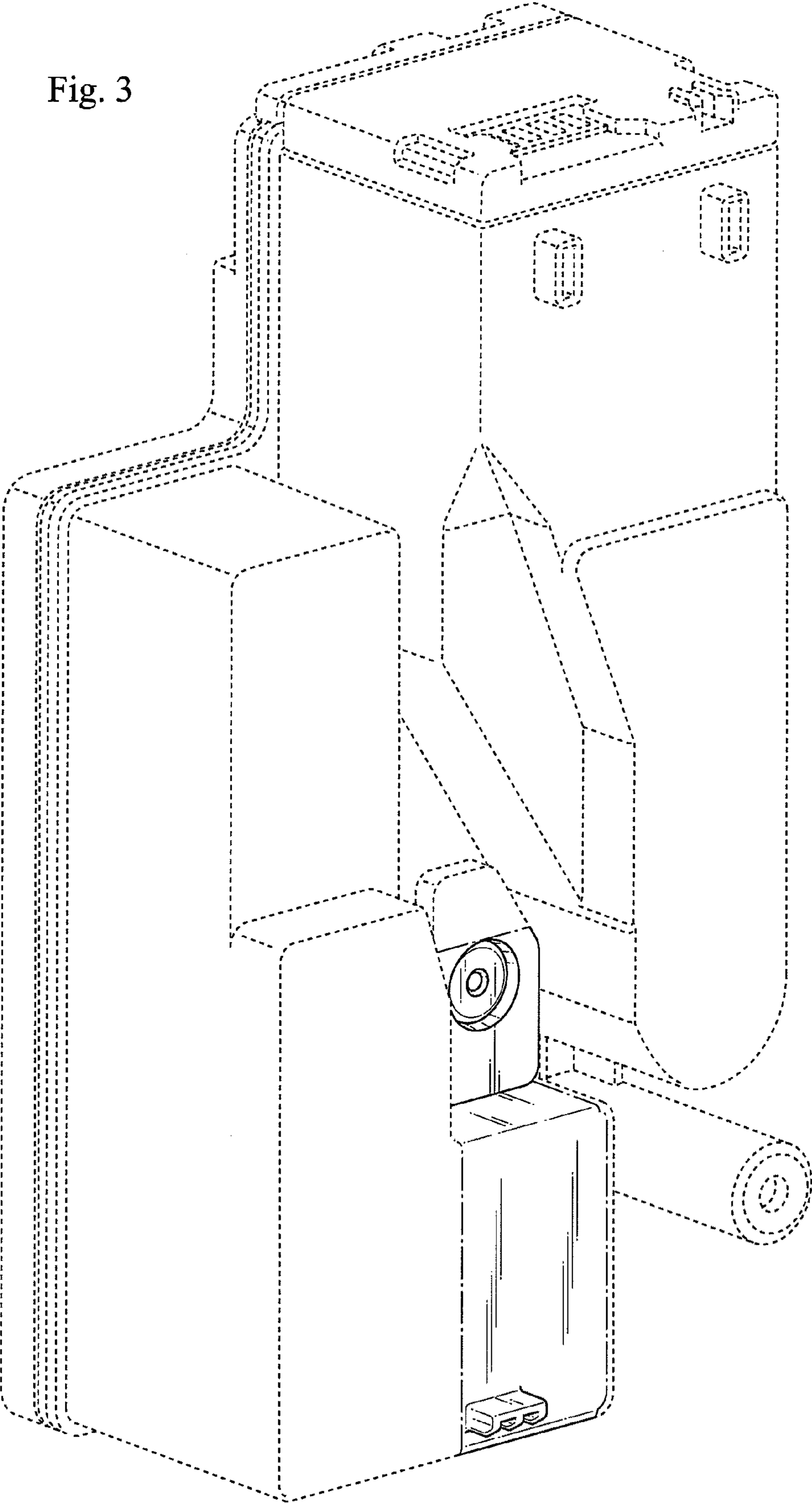


Fig. 4

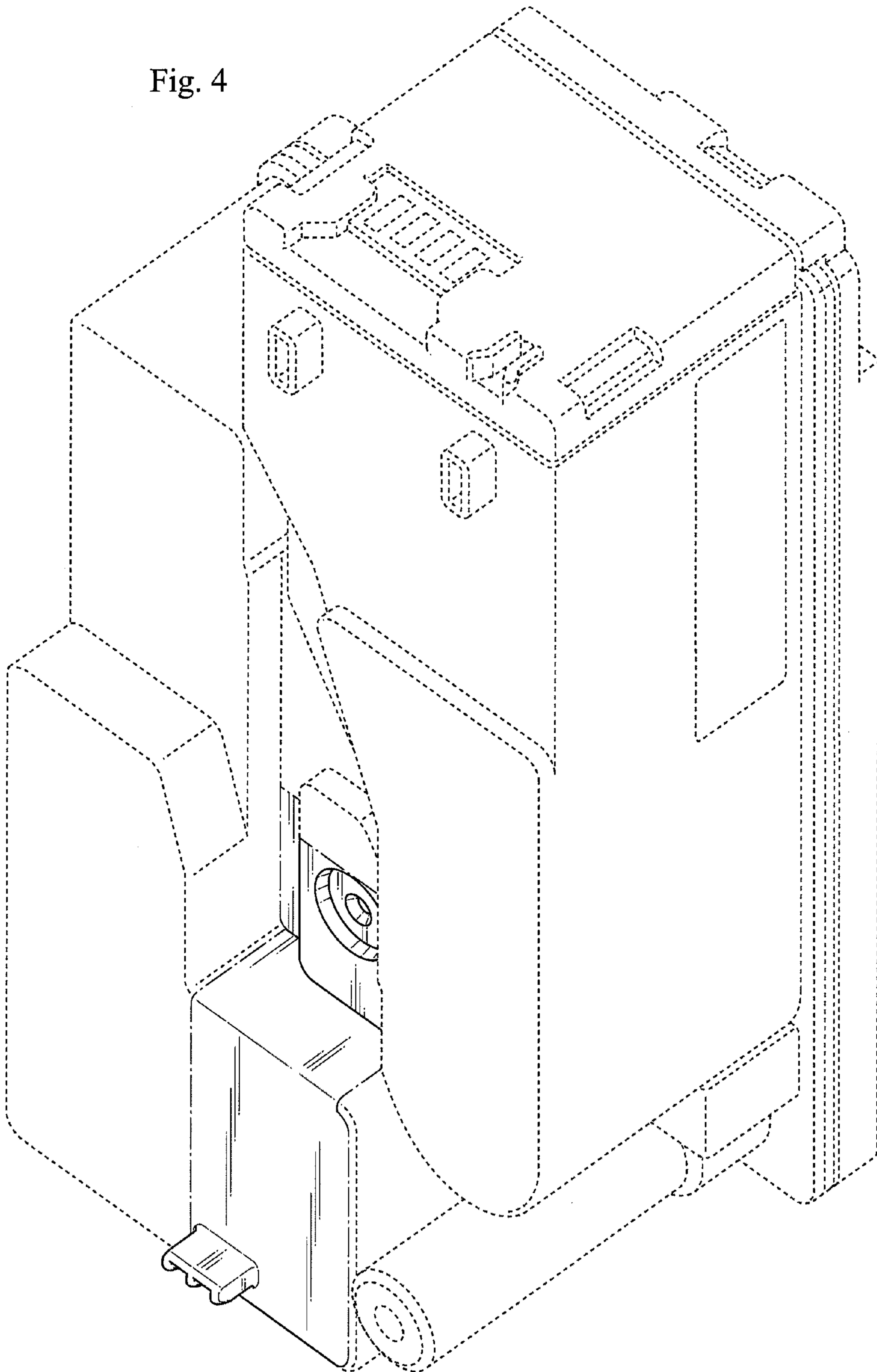
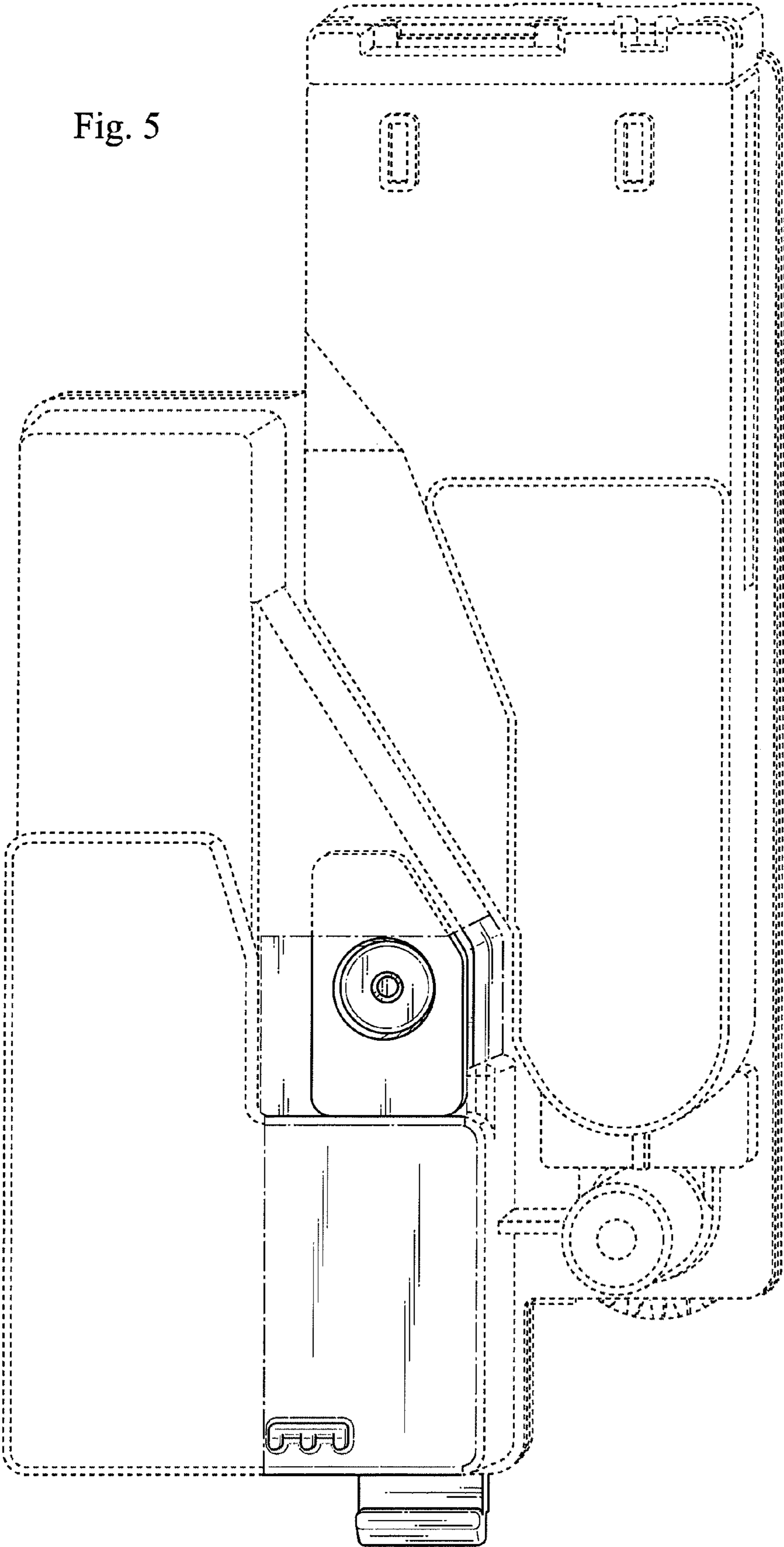


Fig. 5



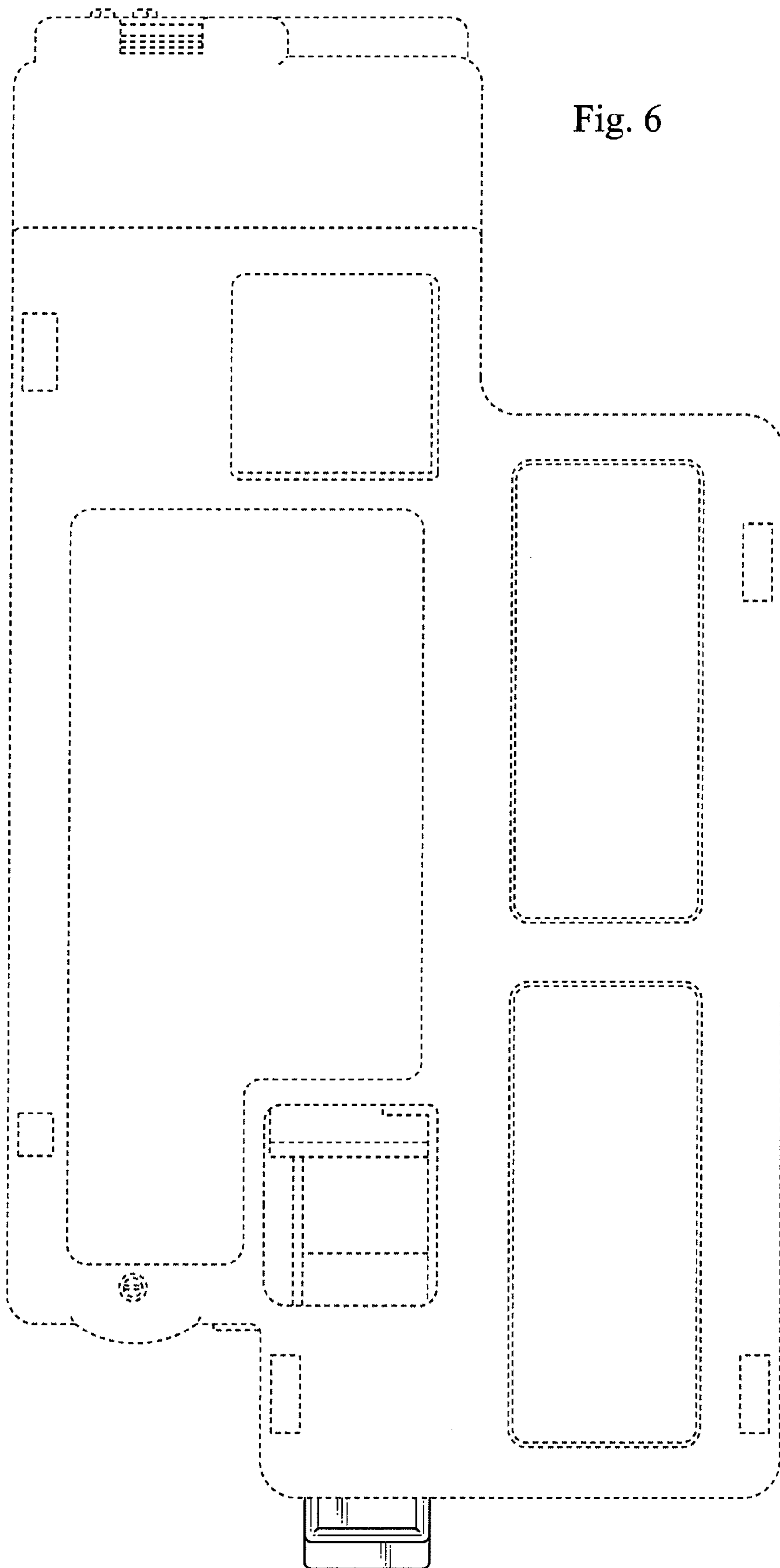


Fig. 6

Fig. 7

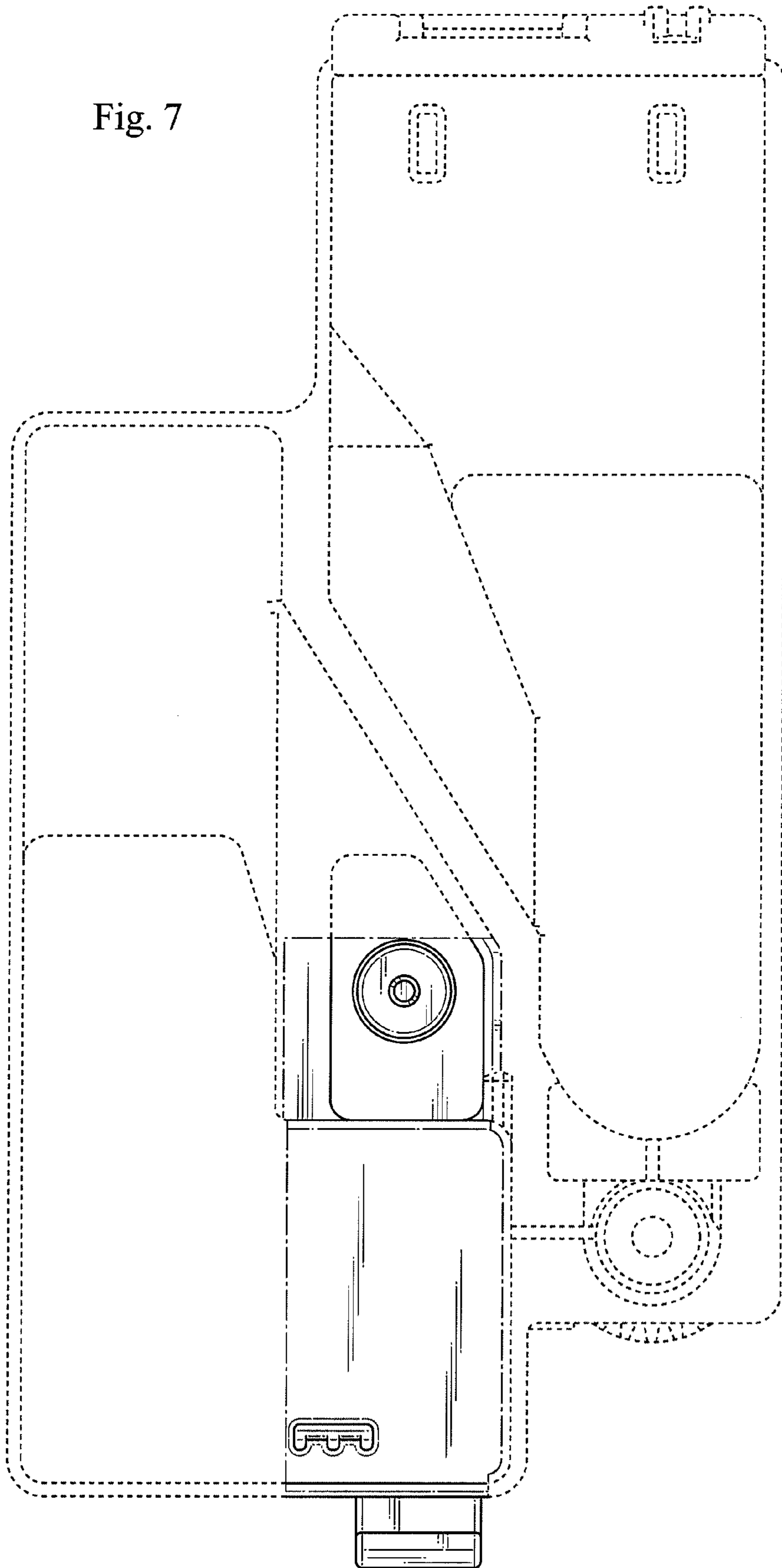


Fig. 8

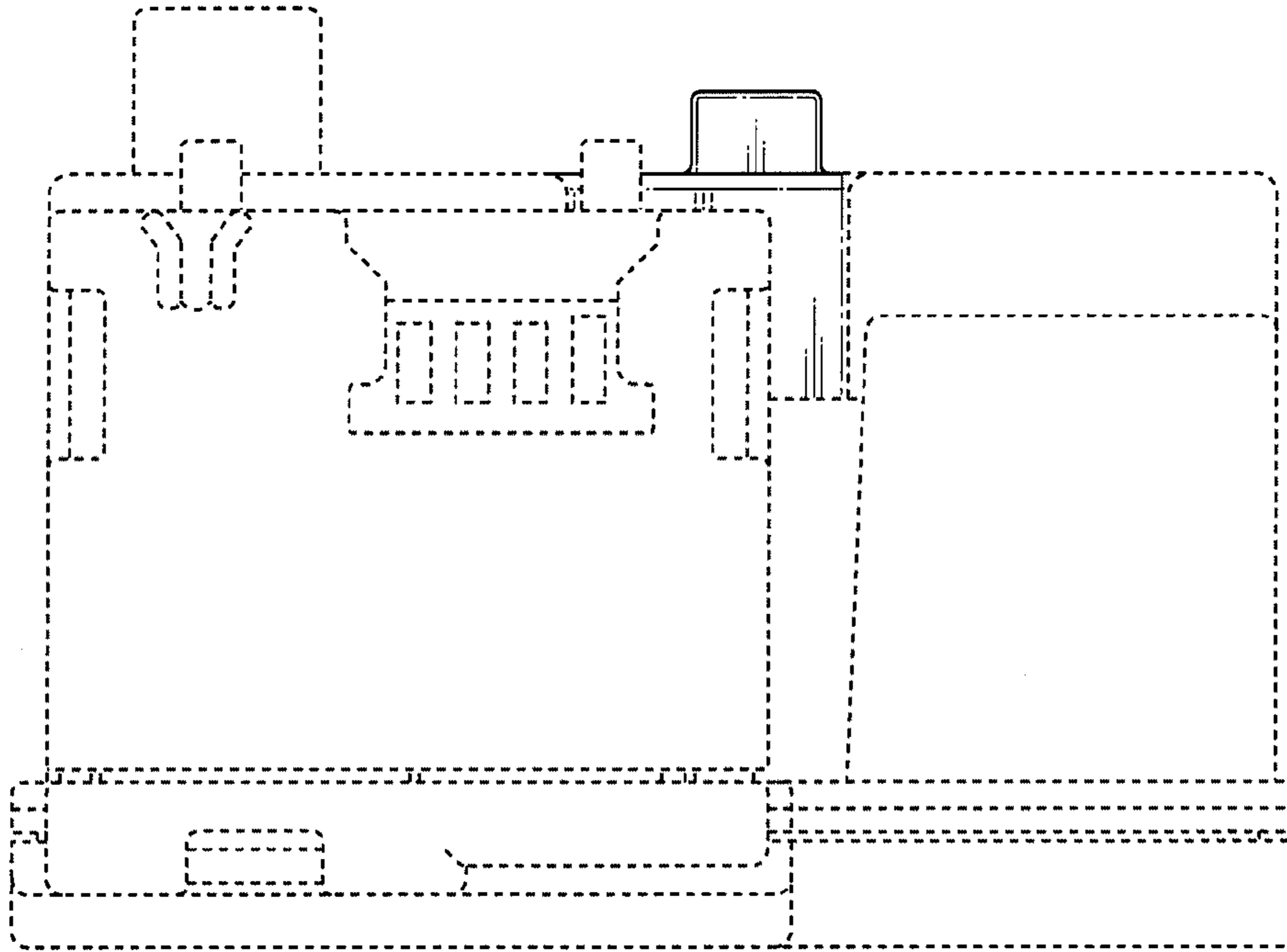


Fig. 9

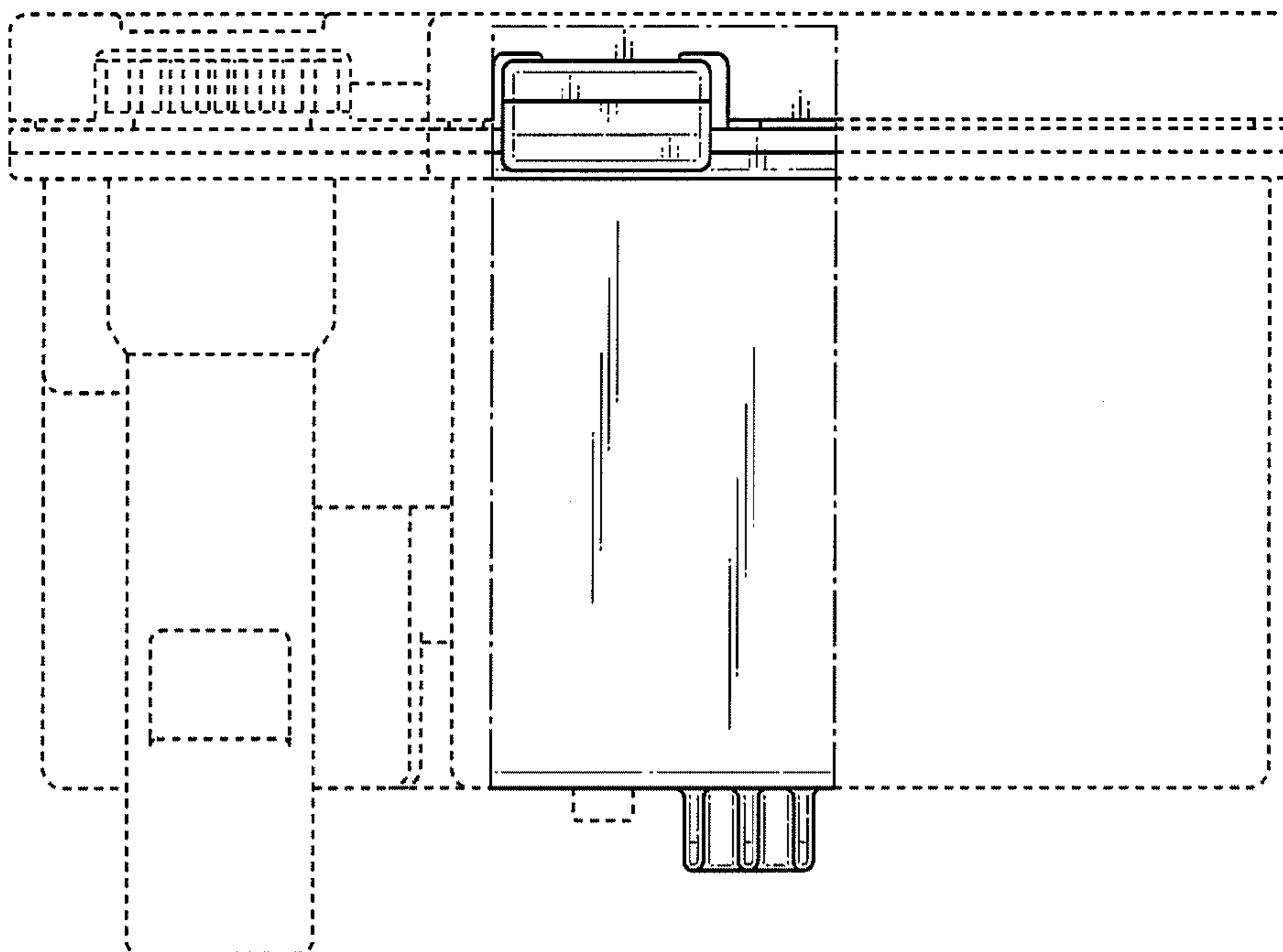


Fig. 10

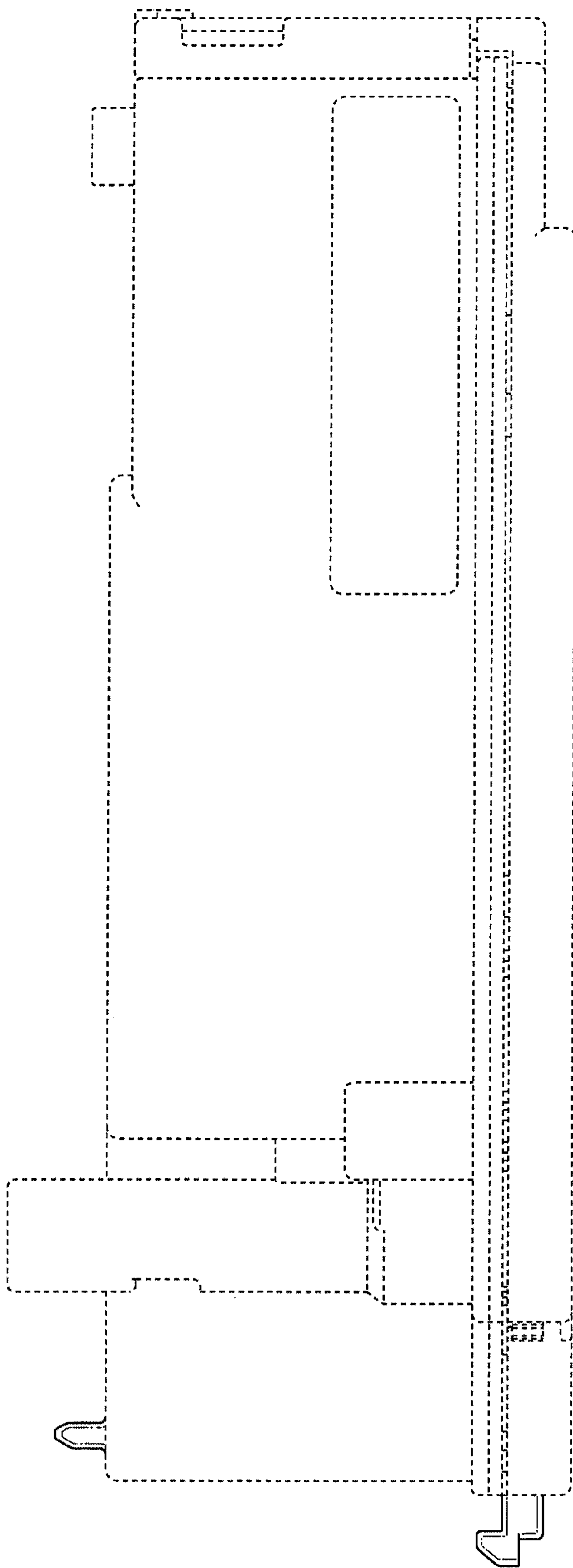


Fig. 11

