



US00D650415S

(12) **United States Design Patent**  
**Murata**

(10) **Patent No.:** **US D650,415 S**  
(45) **Date of Patent:** **\*\* Dec. 13, 2011**

(54) **TONER CARTRIDGE**

(75) Inventor: **Koji Murata**, Osaka (JP)

(73) Assignee: **Kyocera Mita Corporation**, Osaka (JP)

(\*\*) Term: **14 Years**

(21) Appl. No.: **29/375,982**

(22) Filed: **Sep. 30, 2010**

(30) **Foreign Application Priority Data**

Apr. 2, 2010 (JP) ..... 2010-008396

(51) **LOC (9) Cl.** ..... **16-03**

(52) **U.S. Cl.** ..... **D18/43**

(58) **Field of Classification Search** ..... D14/471;  
D18/12, 36, 40, 43, 44, 56; 222/DIG. 1;  
347/197, 222; 399/24-28, 107-112, 119,  
399/121, 122, 222-224

See application file for complete search history.

(56) **References Cited**

U.S. PATENT DOCUMENTS

|              |         |                |       |        |
|--------------|---------|----------------|-------|--------|
| D379,829 S * | 6/1997  | Hayashi        | ..... | D18/56 |
| D412,932 S * | 8/1999  | Okada          | ..... | D18/43 |
| D442,624 S * | 5/2001  | Maeshima       | ..... | D18/43 |
| D524,848 S * | 7/2006  | Murata         | ..... | D18/43 |
| D524,849 S * | 7/2006  | Komai          | ..... | D18/43 |
| D552,164 S * | 10/2007 | Kouroku et al. | ..... | D18/43 |
| D562,881 S * | 2/2008  | Hatanaka       | ..... | D18/43 |
| D585,483 S * | 1/2009  | Sakabe         | ..... | D18/43 |
| D620,045 S * | 7/2010  | Fukuta et al.  | ..... | D18/43 |
| D621,870 S * | 8/2010  | Eto            | ..... | D18/43 |

FOREIGN PATENT DOCUMENTS

|    |             |         |
|----|-------------|---------|
| AU | 333120      | 10/2010 |
| JP | 2010-006668 | 3/2010  |

OTHER PUBLICATIONS

Australian Design Examination Report dated Jan. 27, 2011 in corresponding Australian Design Registration No. 333325.  
Japanese Notification of Reason for Refusal dated Mar. 8, 2011 in corresponding Japanese Design Application No. 2010-008396 with partial English translation.

\* cited by examiner

*Primary Examiner* — Garth Rademaker

(74) *Attorney, Agent, or Firm* — Young & Thompson

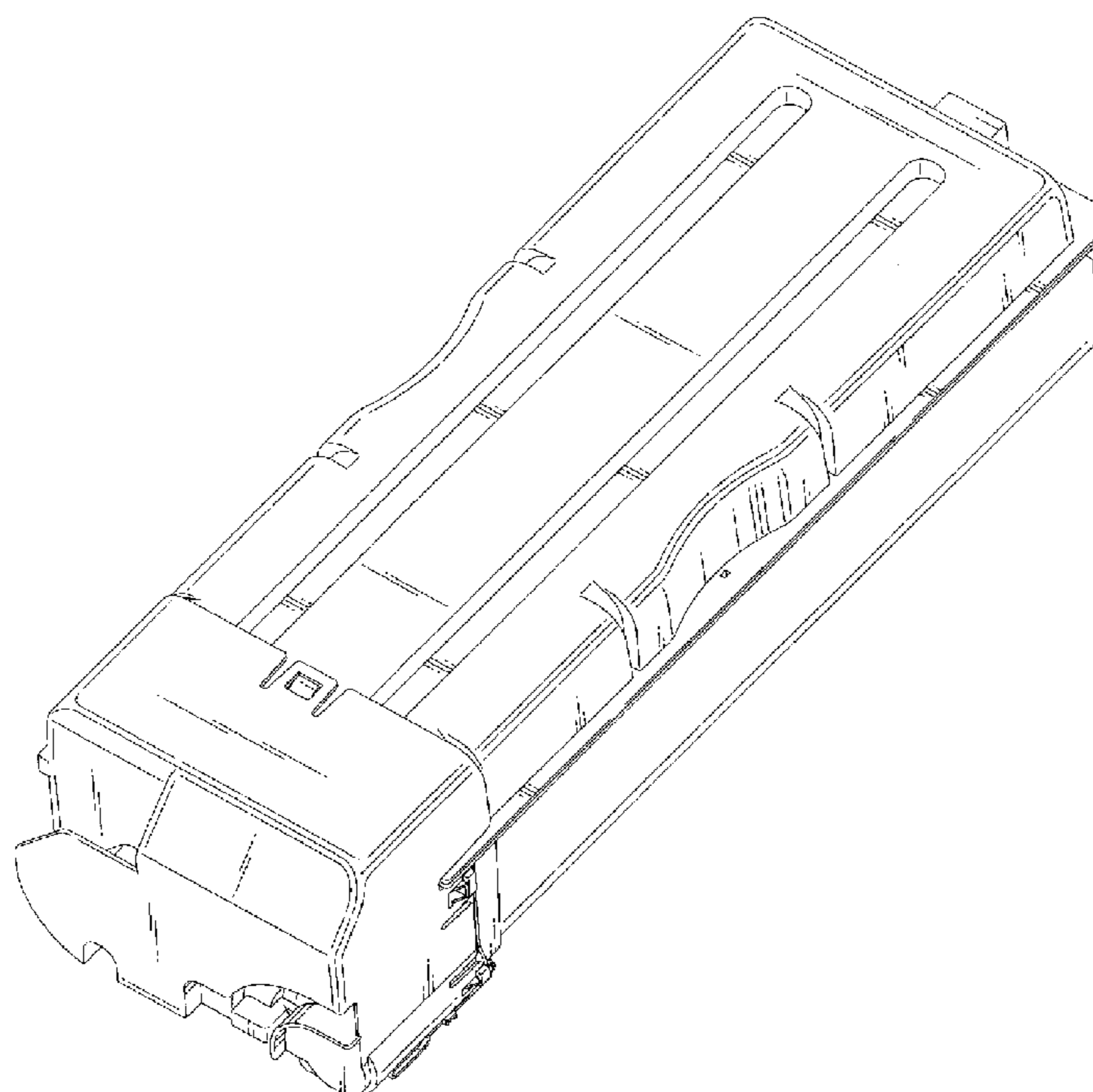
(57) **CLAIM**

The ornamental design for a toner cartridge, as shown and described.

**DESCRIPTION**

FIG. 1 is a front, top, left side perspective view of a toner cartridge showing my new design;  
FIG. 2 is a rear, bottom, right side perspective view thereof;  
FIG. 3 is a front elevation view thereof;  
FIG. 4 is a rear elevation view thereof;  
FIG. 5 is a top plan view thereof;  
FIG. 6 is a bottom plan view thereof;  
FIG. 7 is a right side elevation view thereof; and,  
FIG. 8 is a left side elevation view thereof.  
The broken lines in the drawings show environmental subject matter which forms no part of the claimed design.

**1 Claim, 6 Drawing Sheets**



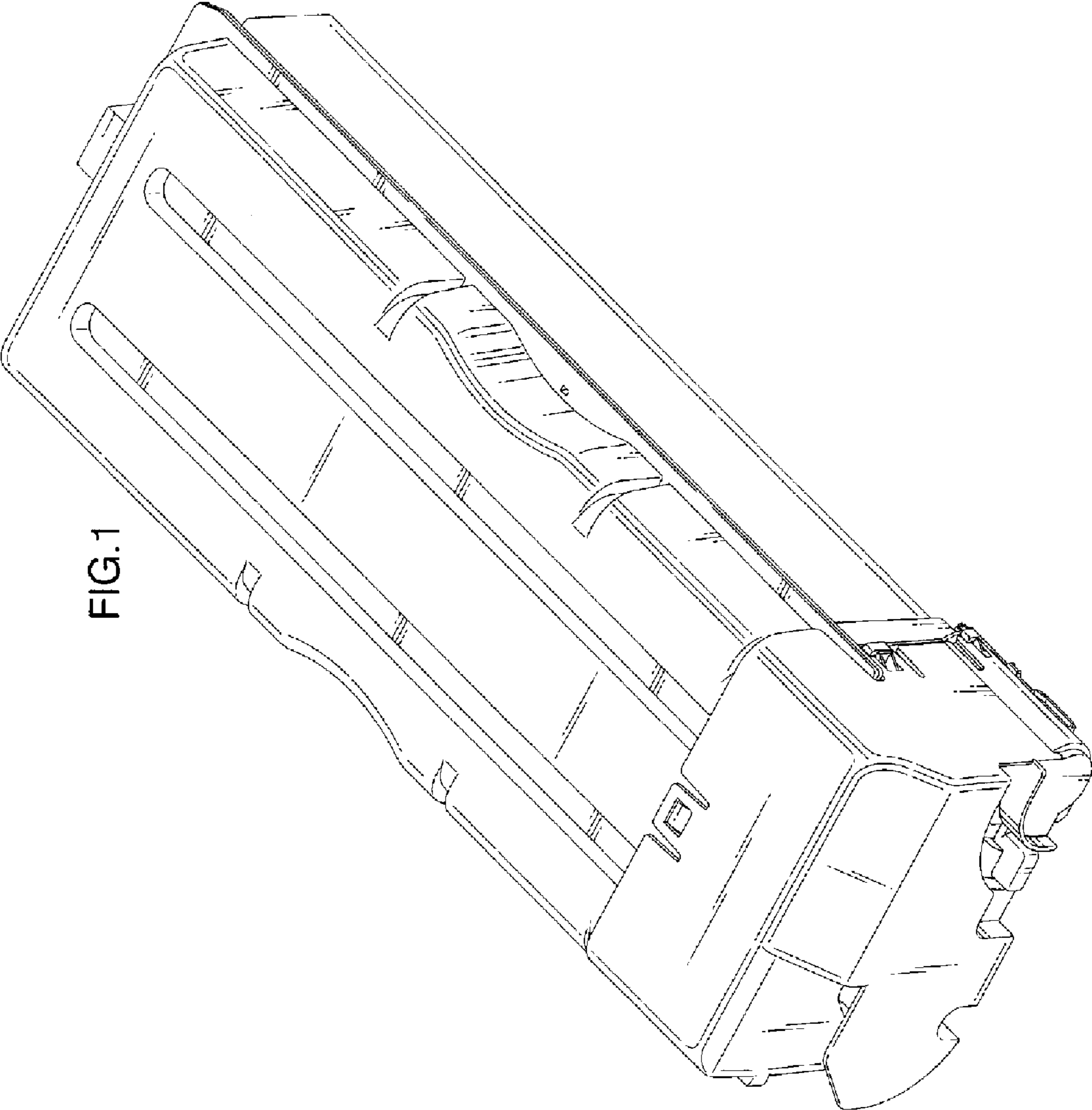


FIG.1

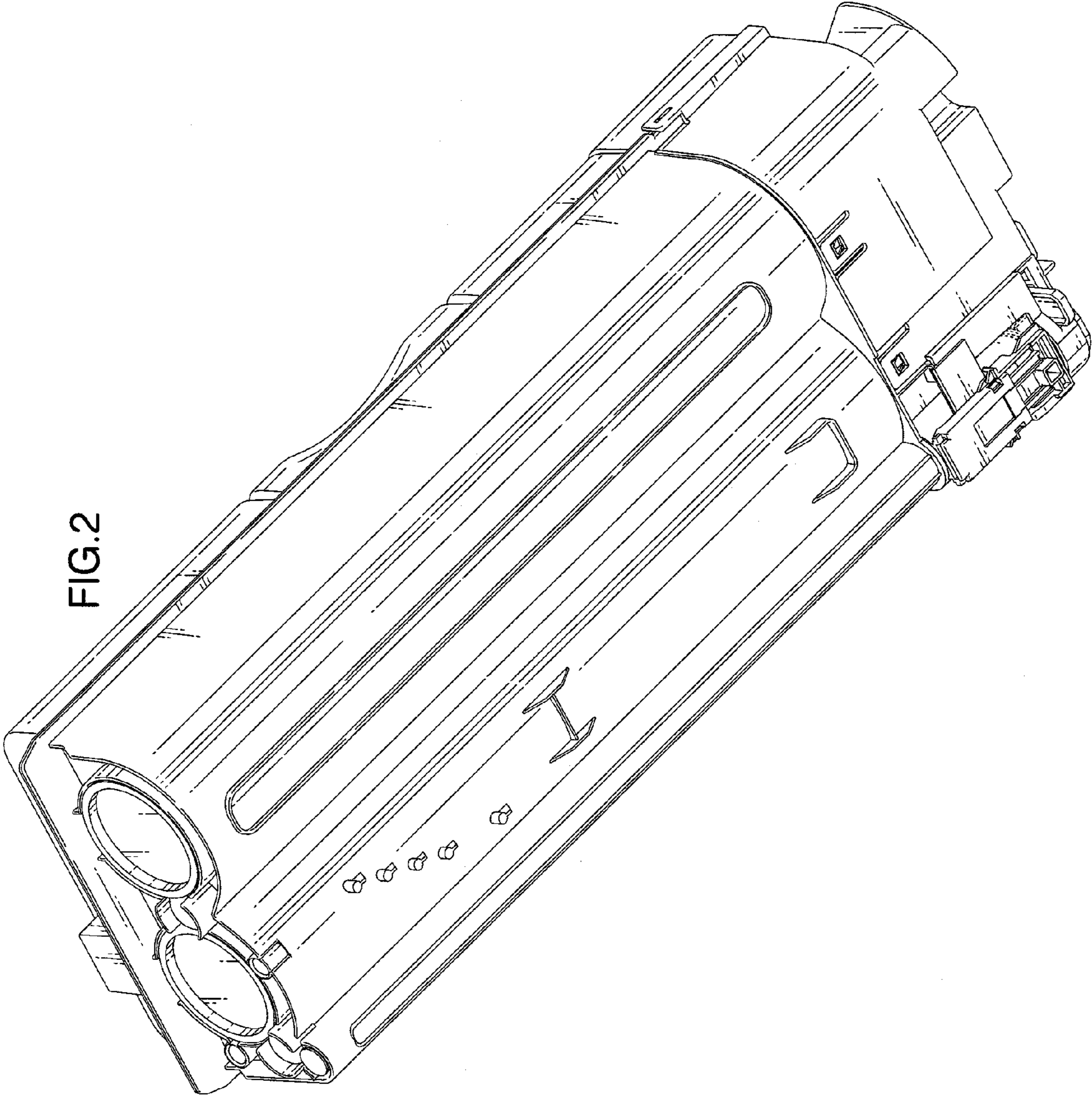


FIG.2

FIG.3

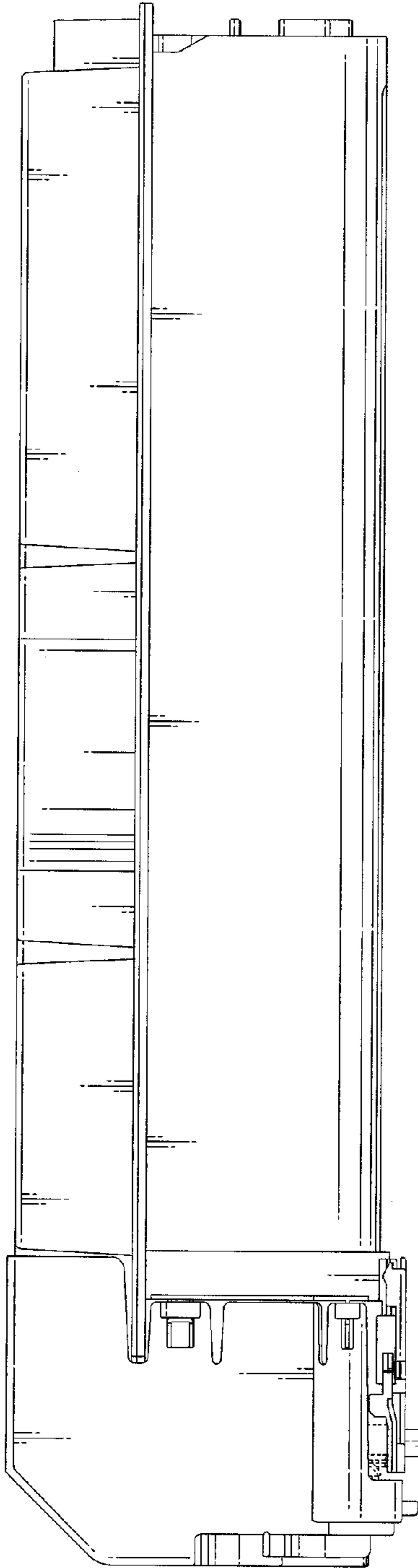


FIG.4

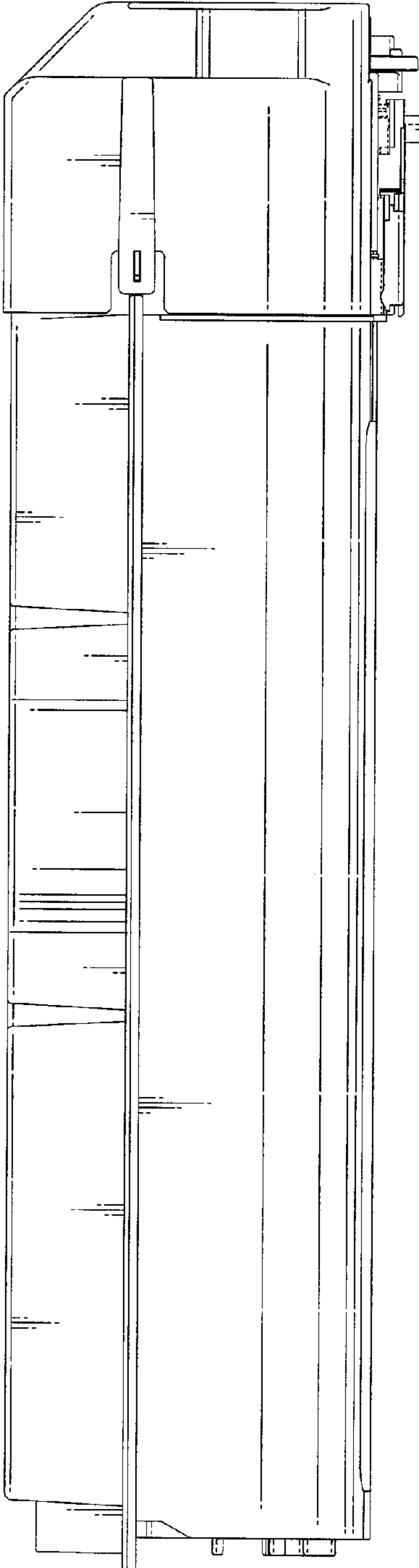


FIG.5

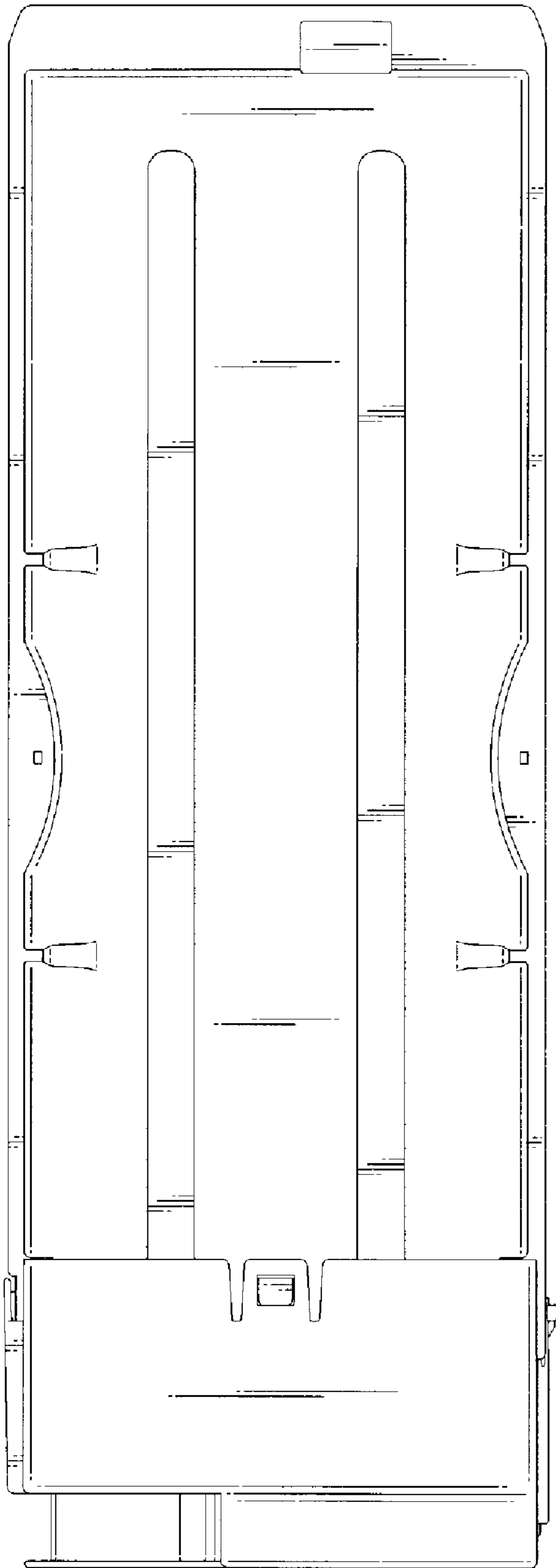


FIG.6

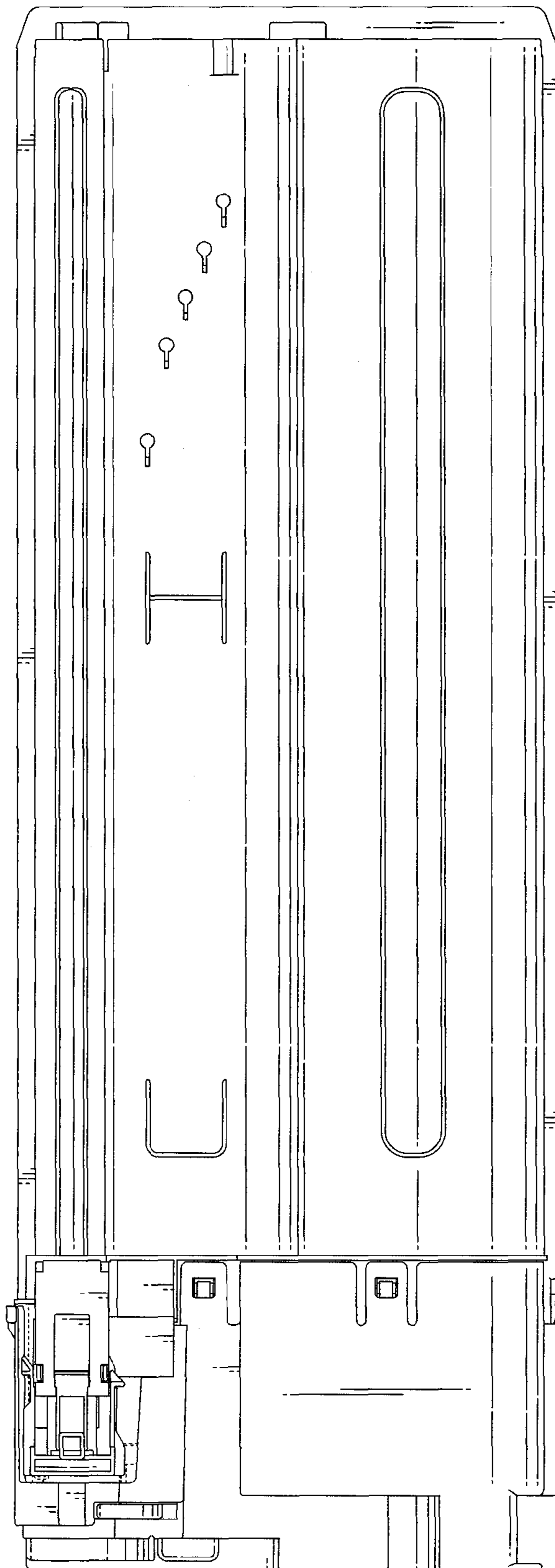


FIG.7

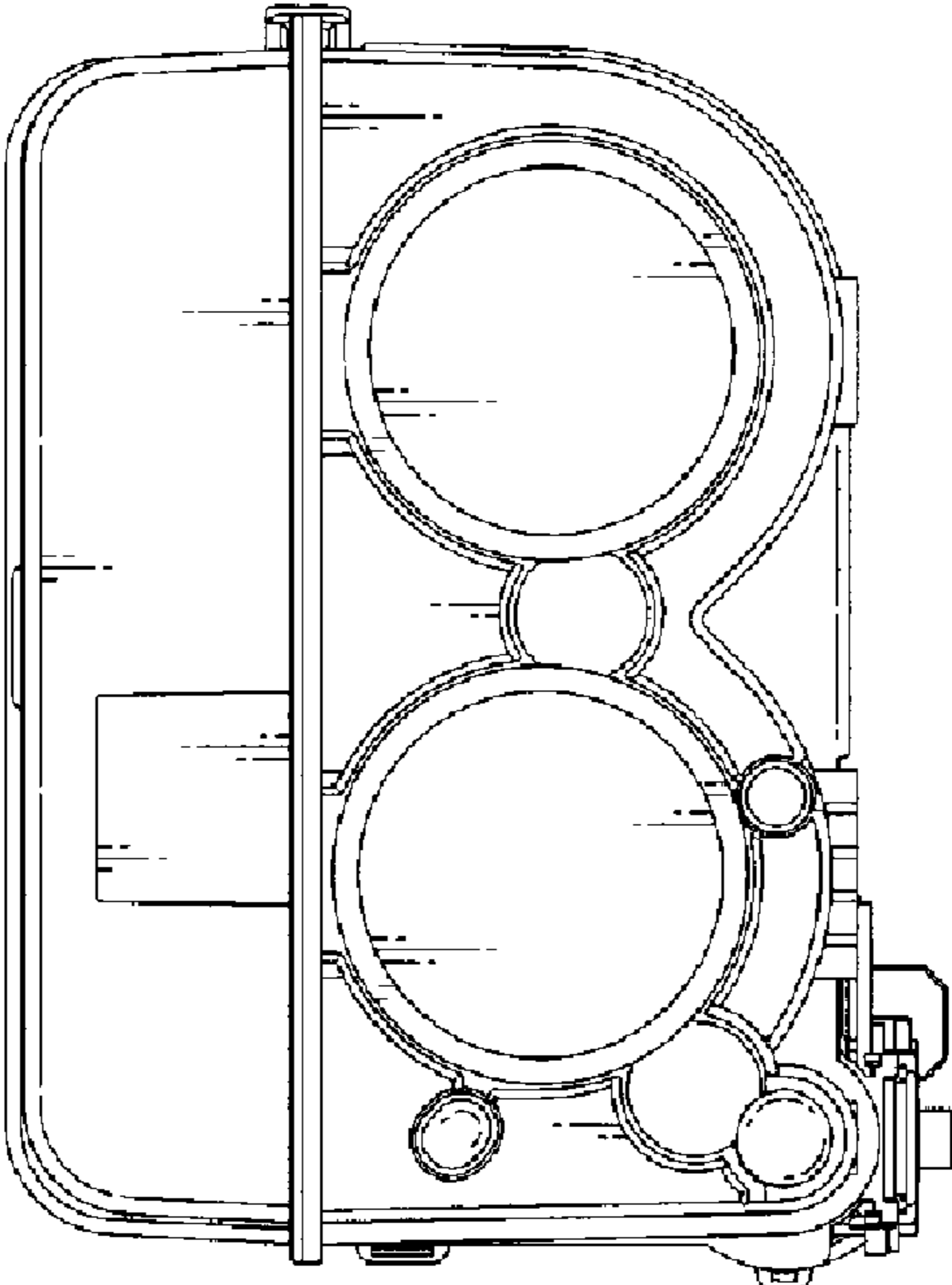


FIG.8

