



US00D650414S

(12) **United States Design Patent**
Takami

(10) **Patent No.:** **US D650,414 S**

(45) **Date of Patent:** **** Dec. 13, 2011**

(54) **POWDER CONTAINER FOR STORING
TONER, CARRIER OR THE LIKE**

DESCRIPTION

(75) Inventor: **Nobuo Takami**, Kawasaki (JP)

(73) Assignee: **Ricoh Company, Ltd.**, Tokyo (JP)

(**) Term: **14 Years**

(21) Appl. No.: **29/375,104**

(22) Filed: **Sep. 17, 2010**

(51) **LOC (9) Cl.** **16-03**

(52) **U.S. Cl.** **D18/43**

(58) **Field of Classification Search** D14/471;
D18/12, 36, 40, 43, 44, 56; 222/DIG. 1;
347/197, 222; 399/24-28, 107-112, 119,
399/121, 122, 222-224

See application file for complete search history.

(56) **References Cited**

U.S. PATENT DOCUMENTS

D398,634 S *	9/1998	Katayama et al.	D18/43
D408,845 S *	4/1999	Harumoto	D18/43
6,298,208 B1	10/2001	Kawamura et al.		
D469,119 S *	1/2003	Shiba	D18/43
D500,074 S	12/2004	Naraoka		
D532,037 S	11/2006	Tsuda et al.		
D598,949 S *	8/2009	Kurenuma et al.	D18/43
D599,845 S	9/2009	Kurenuma et al.		
D602,519 S *	10/2009	Kurenuma et al.	D18/43
D602,985 S	10/2009	Yoshizawa		
D606,583 S *	12/2009	Kurenuma et al.	D18/43
7,826,777 B2 *	11/2010	Taguchi et al.	399/258
D636,436 S *	4/2011	Takami	D18/43
D636,813 S *	4/2011	Kikuchi et al.	D18/43
2010/0129118 A1	5/2010	Kimura et al.		

* cited by examiner

Primary Examiner — Garth Rademaker

(74) *Attorney, Agent, or Firm* — Dickstein Shapiro LLP

(57) **CLAIM**

The ornamental design for a powder container for storing toner, carrier or the like, as shown and described.

FIG. 1 is a front, top and right side perspective view of a powder container for storing toner, carrier or the like showing the new design;

FIG. 2 is a rear, top and left side perspective view thereof;

FIG. 3 is rear, bottom and right side perspective view thereof;

FIG. 4 is a front, bottom and left side perspective view thereof;

FIG. 5 is a front view thereof;

FIG. 6 is a rear view thereof;

FIG. 7 is a right side view thereof;

FIG. 8 is a left side view thereof;

FIG. 9 is a top view thereof;

FIG. 10 is a bottom view thereof;

FIG. 11 is a section view thereof, taken along line XI-XI of FIG. 7, showing the interior of the powder container for storing toner, carrier or the like;

FIG. 12 is a right side view of the end cap of the powder container for storing toner, carrier or the like, viewed from a connection side of the main body of the powder container for storing toner, carrier or the like;

FIG. 13 is a front, top and right side perspective view of the end cap; and,

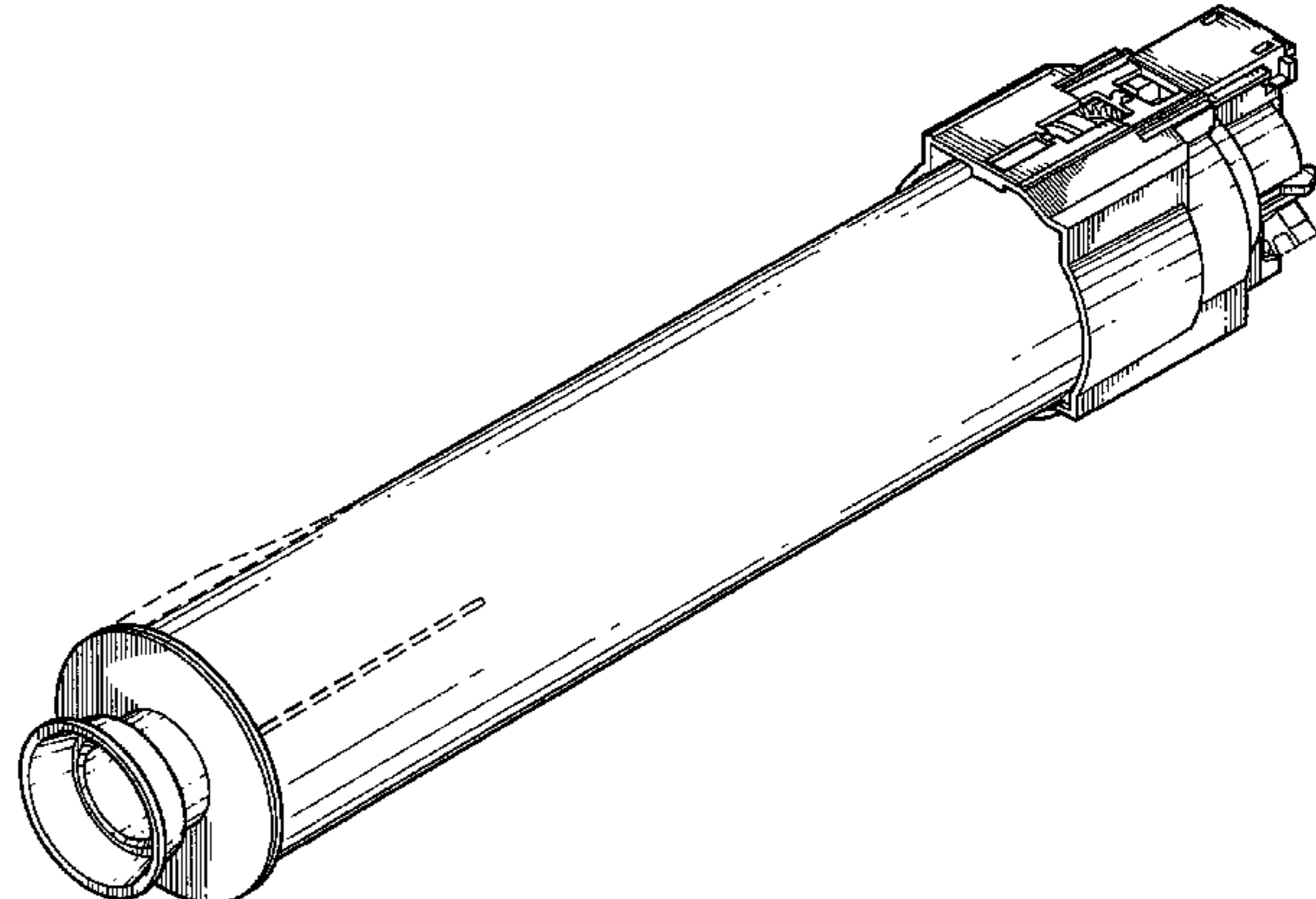
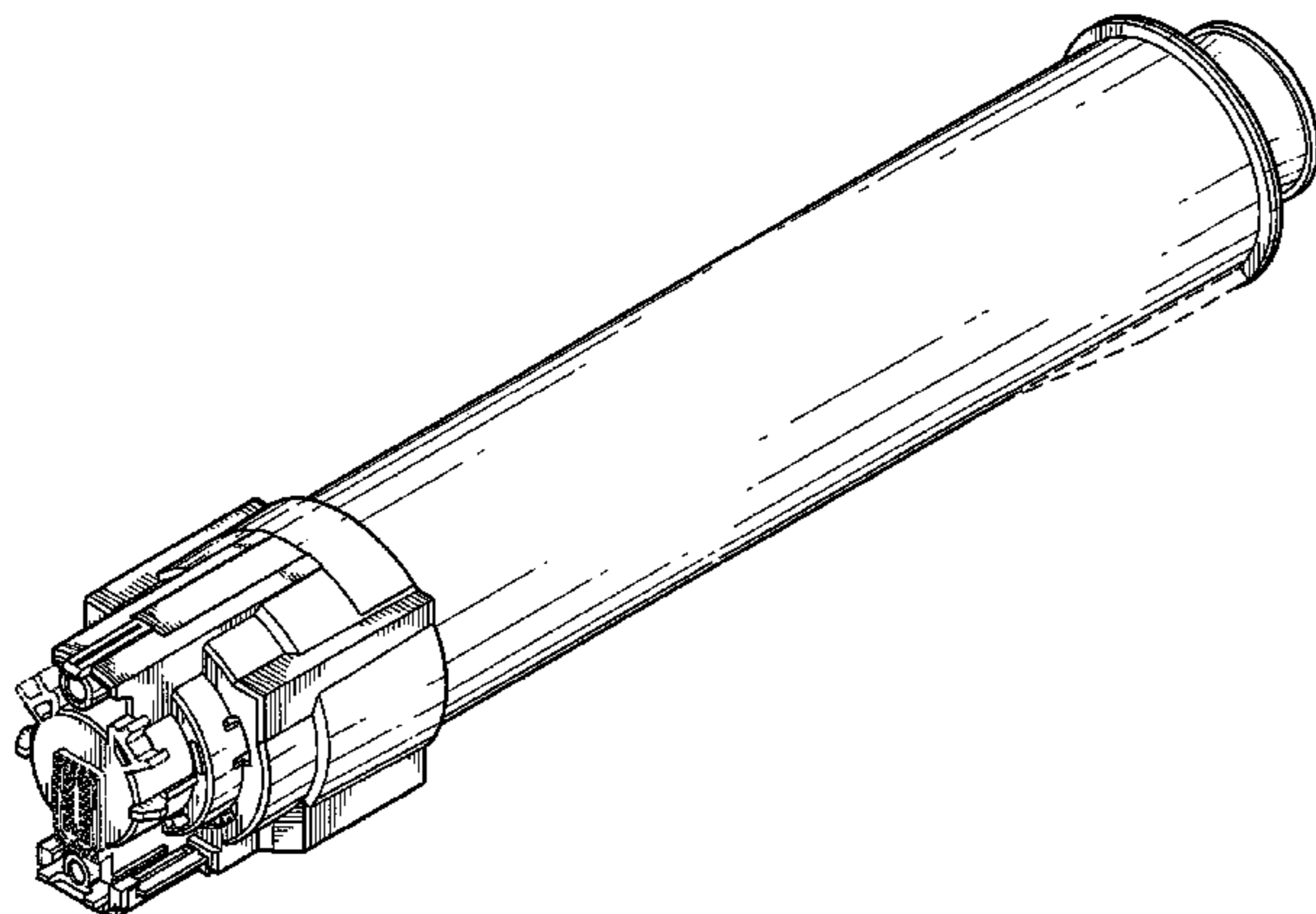
FIG. 14 is a front, bottom and right side perspective view of the end cap.

The powder container for storing toner, carrier or the like has a main body and an end cap. the main body and the end cap are shown together in FIGS. 1-11. Only the end cap is shown in FIGS. 12-14.

In operation, the powder container for storing toner, carrier or the like is used to form an image in an image forming apparatus such as a copying machine, a printer or the like, and is set to be positioned with the image forming apparatus, and is configured to discharge toner, carrier or the like through a shutter portion according to a shortage of such toner, carrier or the like.

The broken line showing of portions of the powder container for storing toner, carrier or the like is for the purpose of illustrating environmental structure and forms no part of the claimed design.

1 Claim, 12 Drawing Sheets



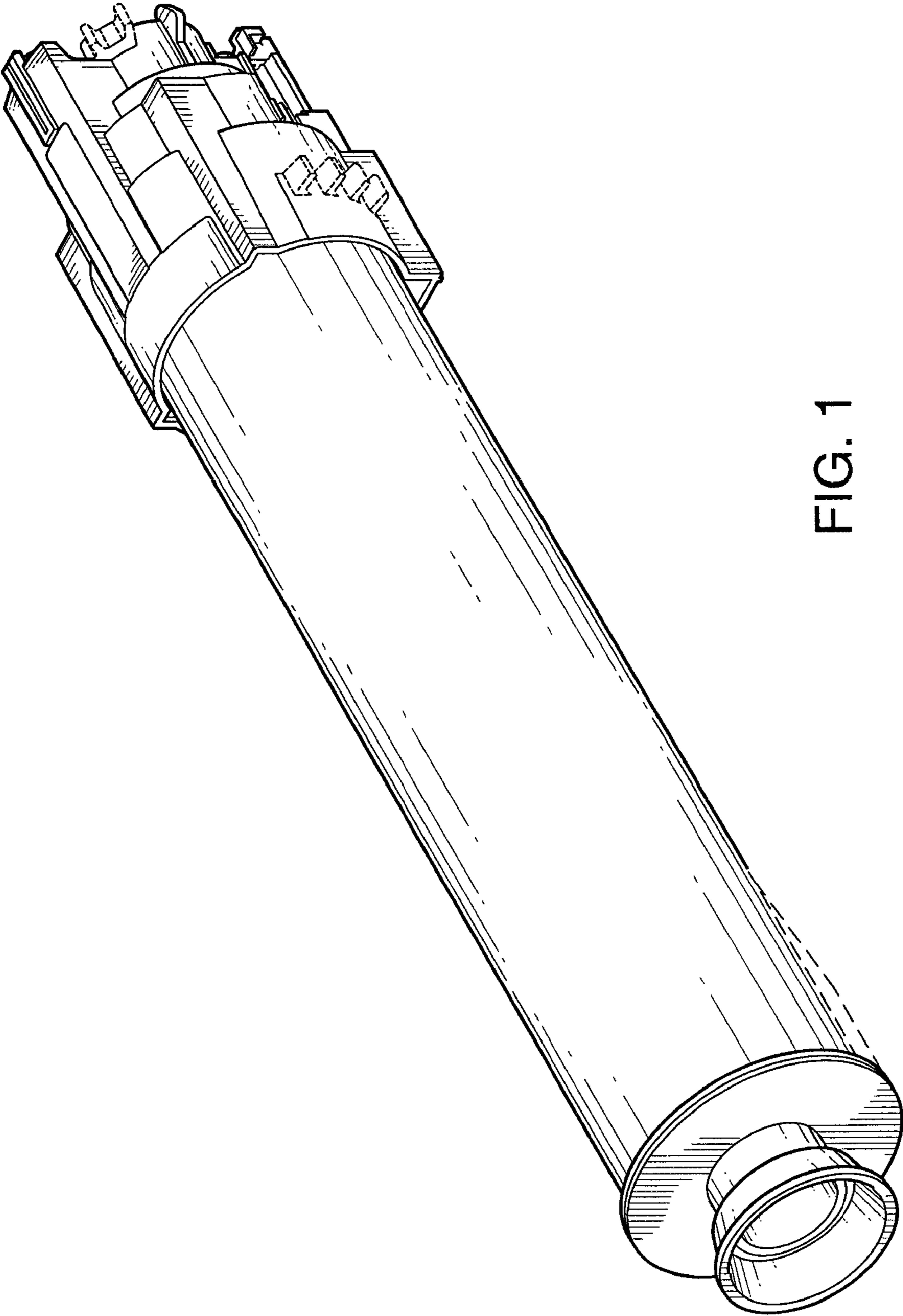


FIG. 1

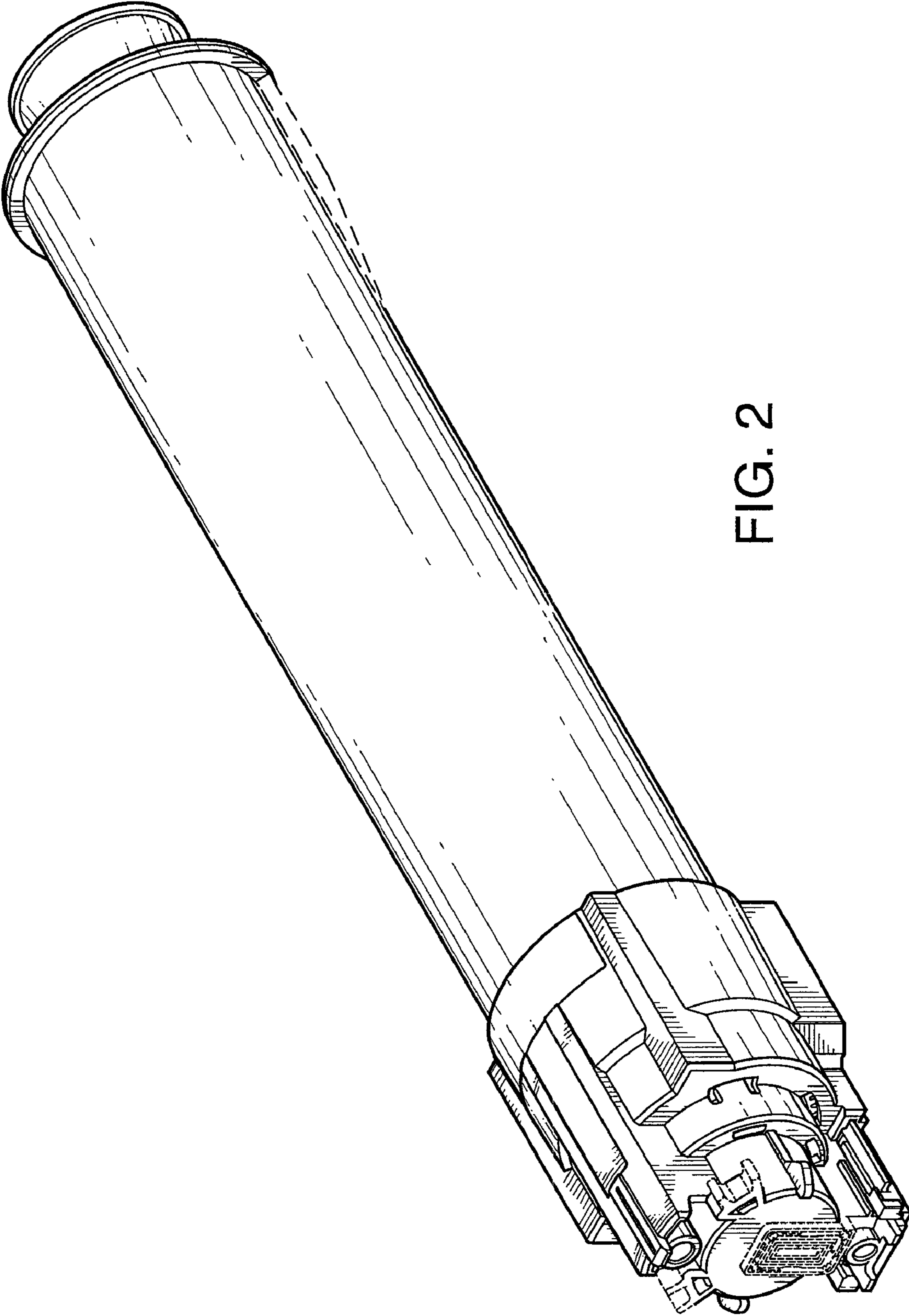


FIG. 2

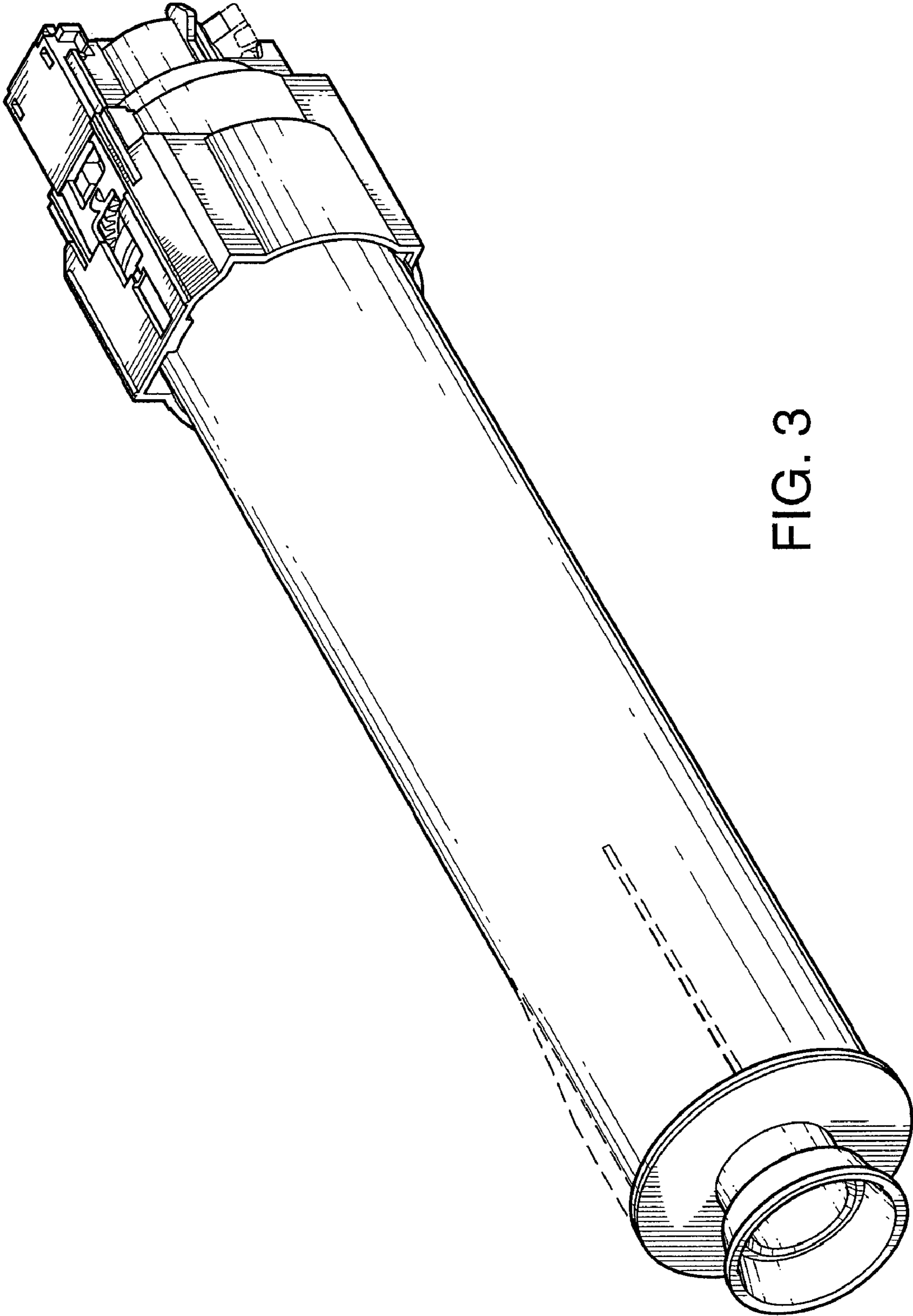


FIG. 3

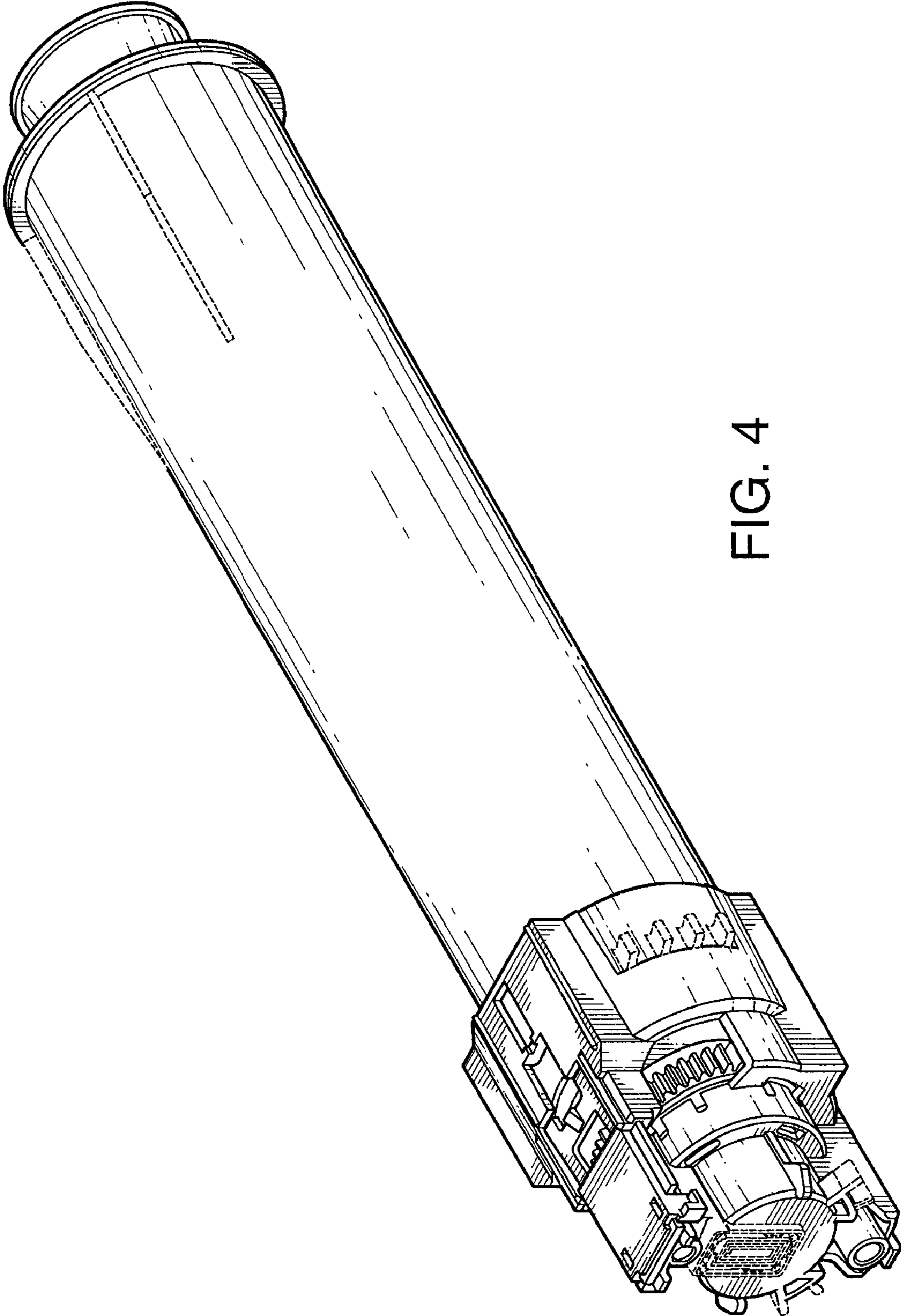


FIG. 4

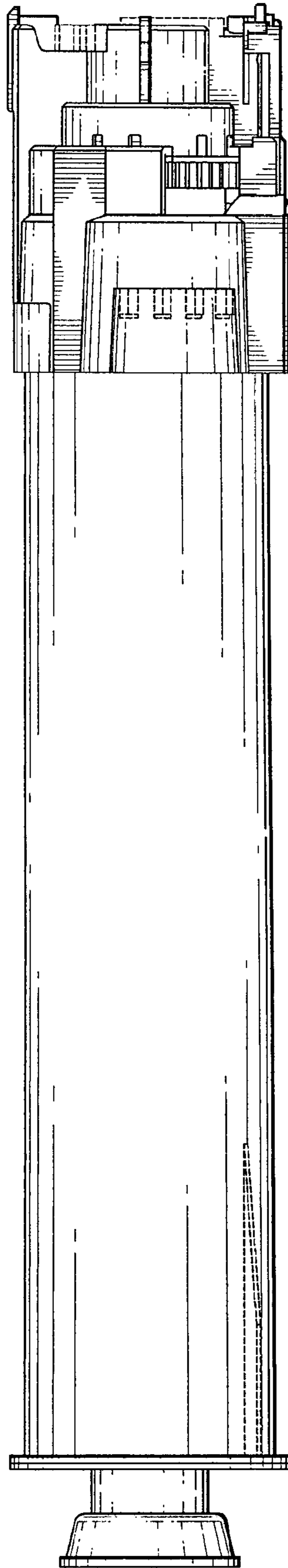


FIG. 5

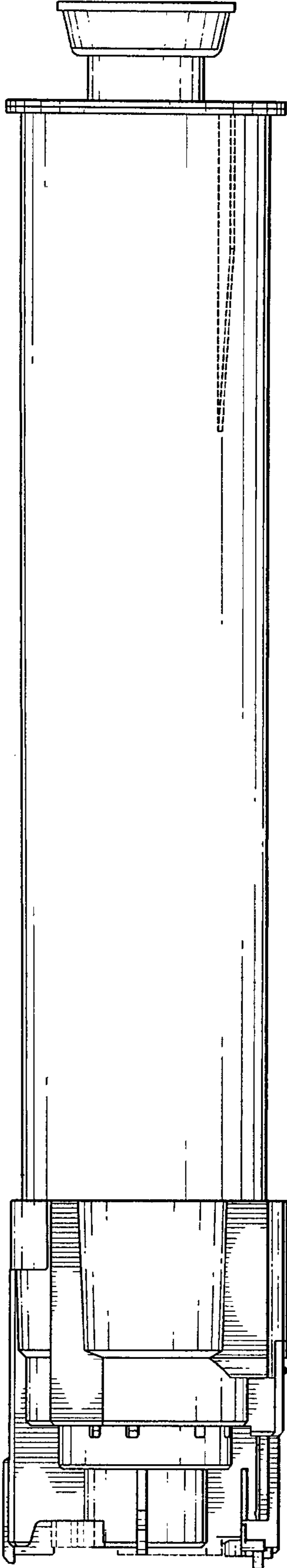


FIG. 6

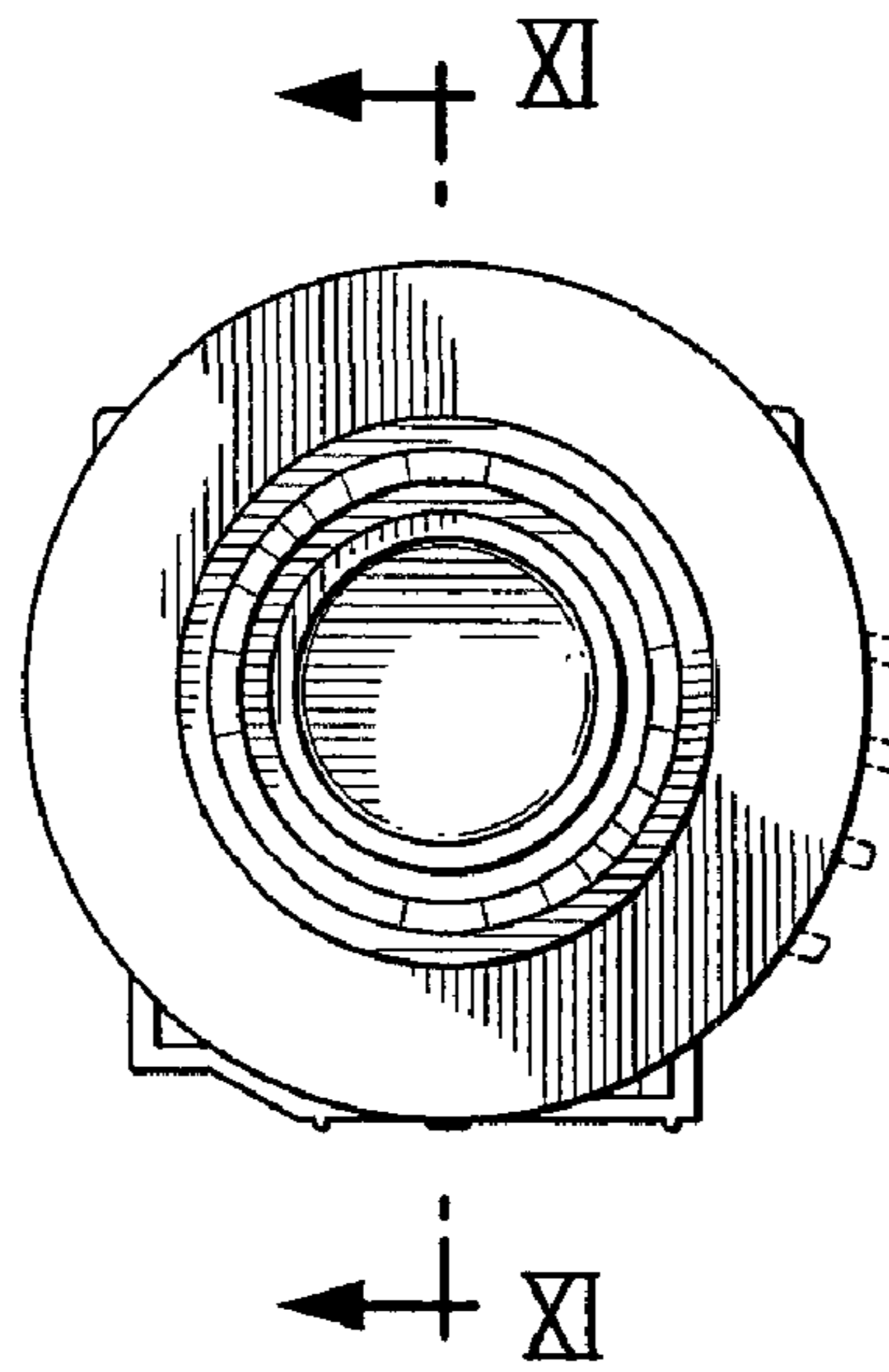


FIG. 7

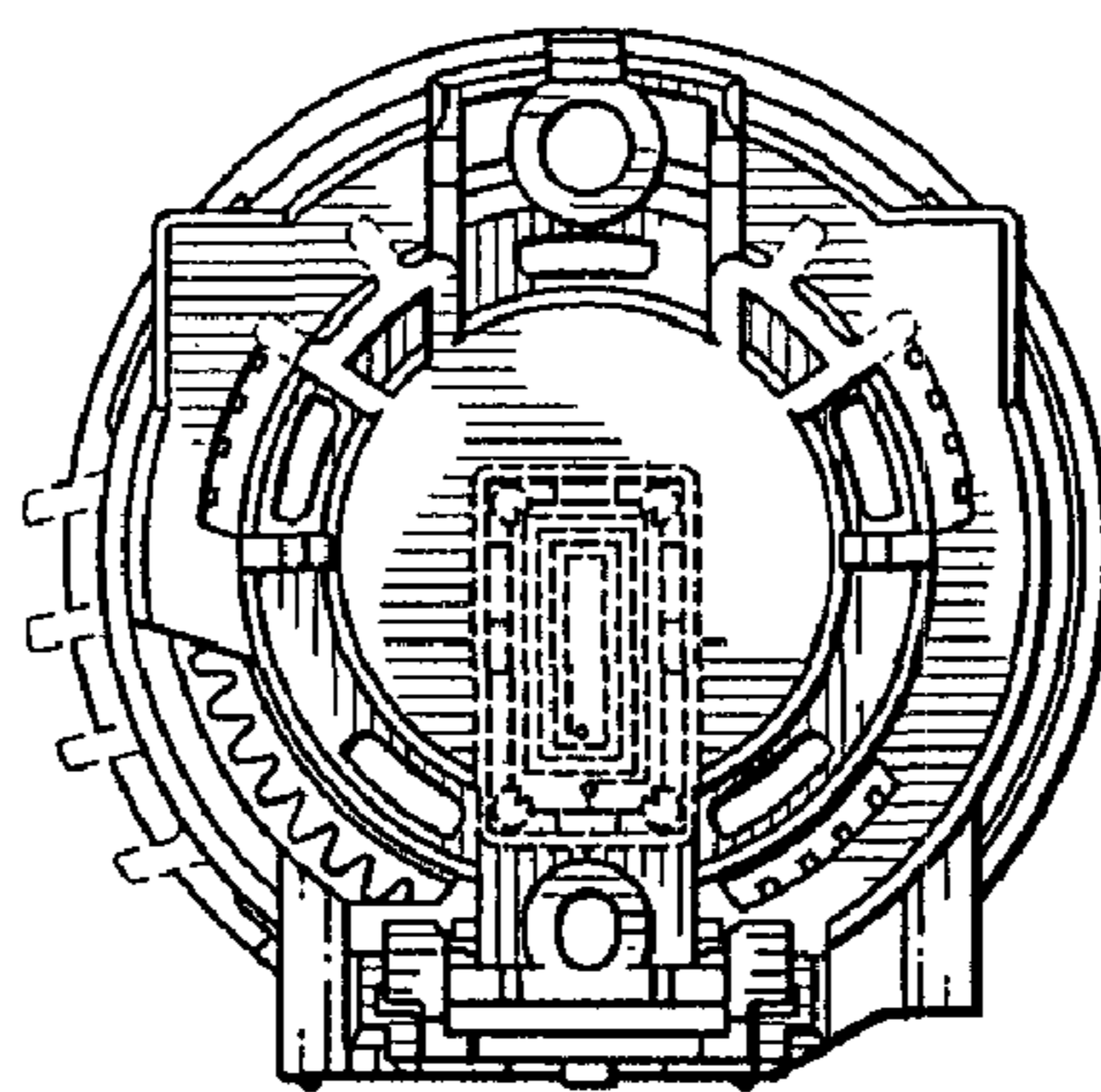


FIG. 8

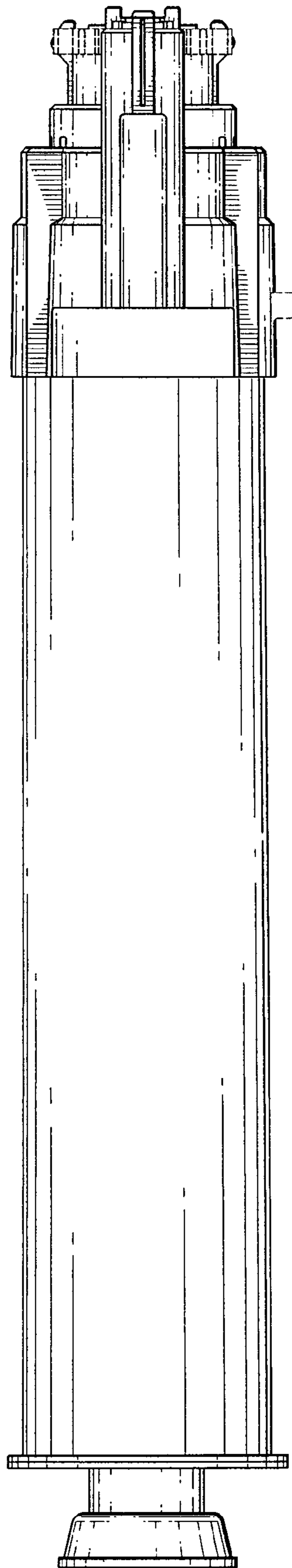


FIG. 9

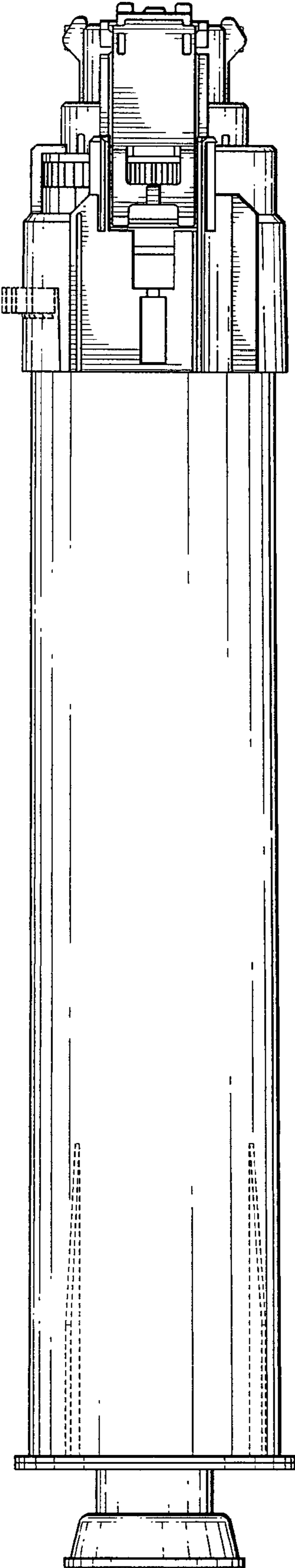


FIG. 10

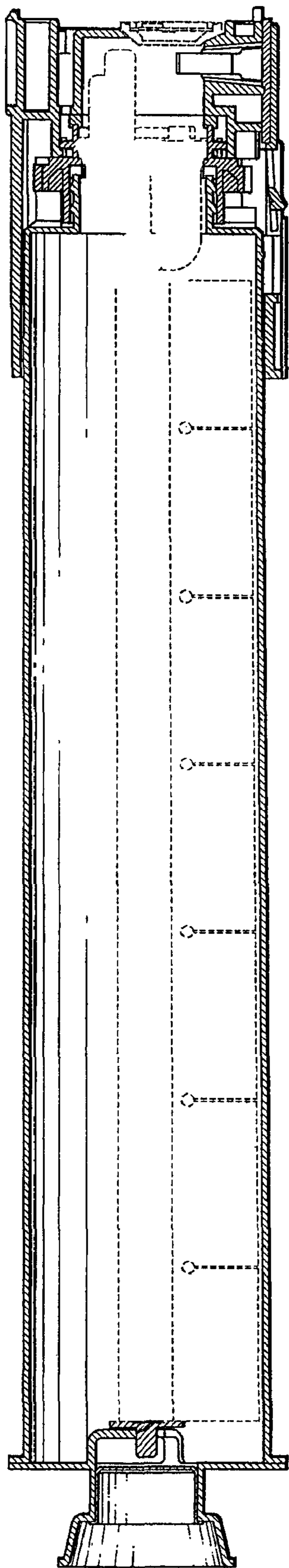


FIG. 11

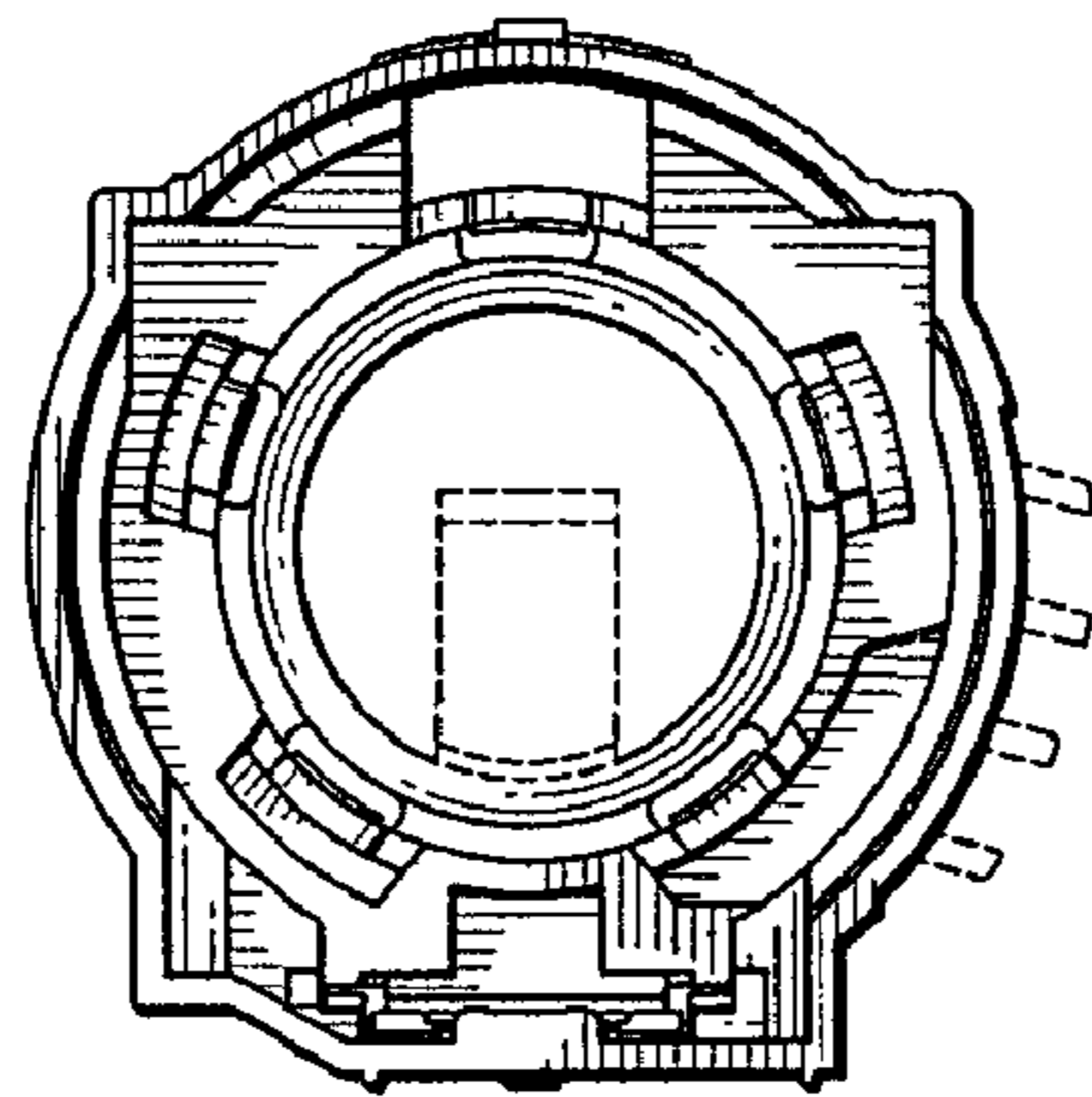


FIG. 12

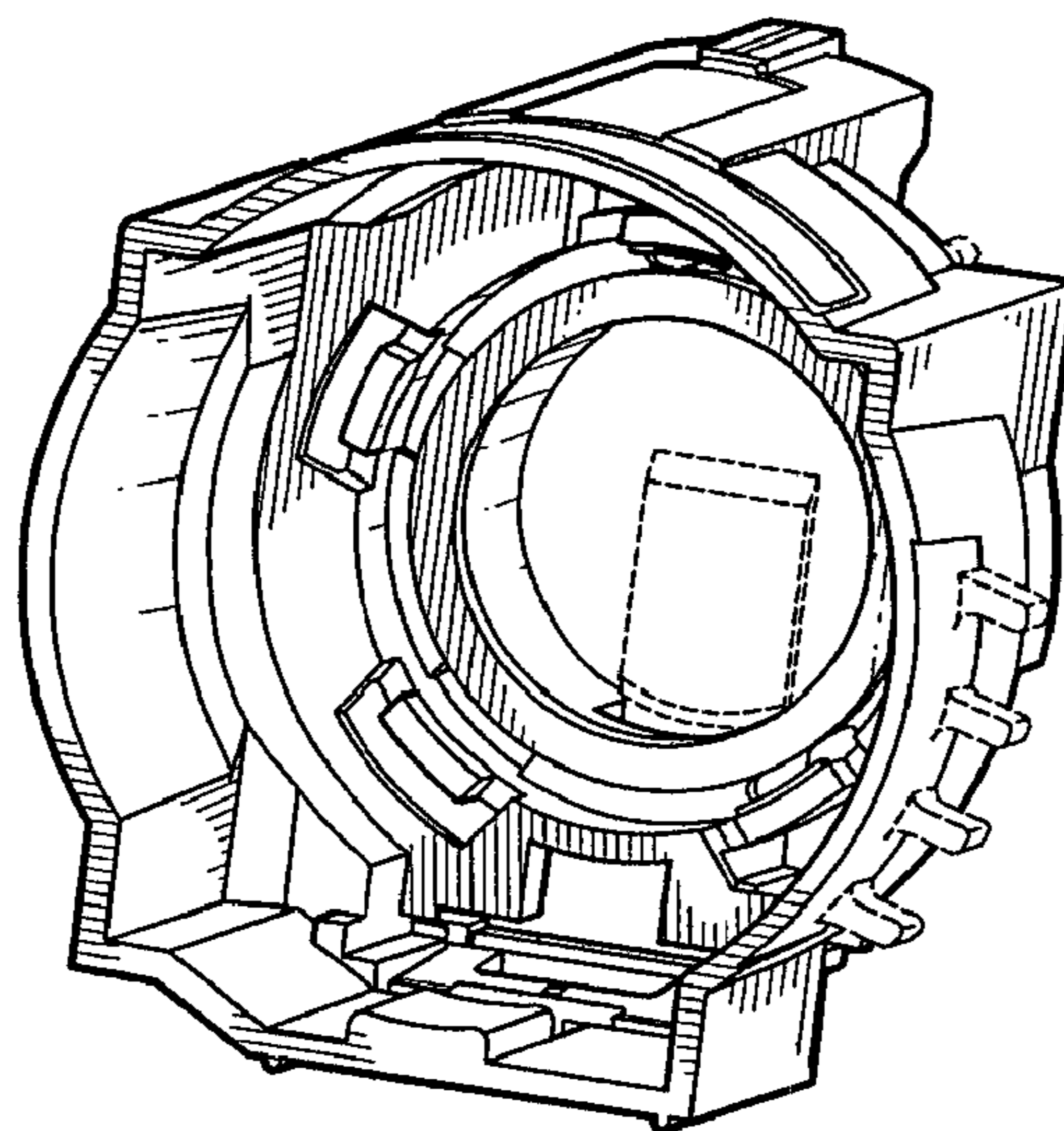


FIG. 13

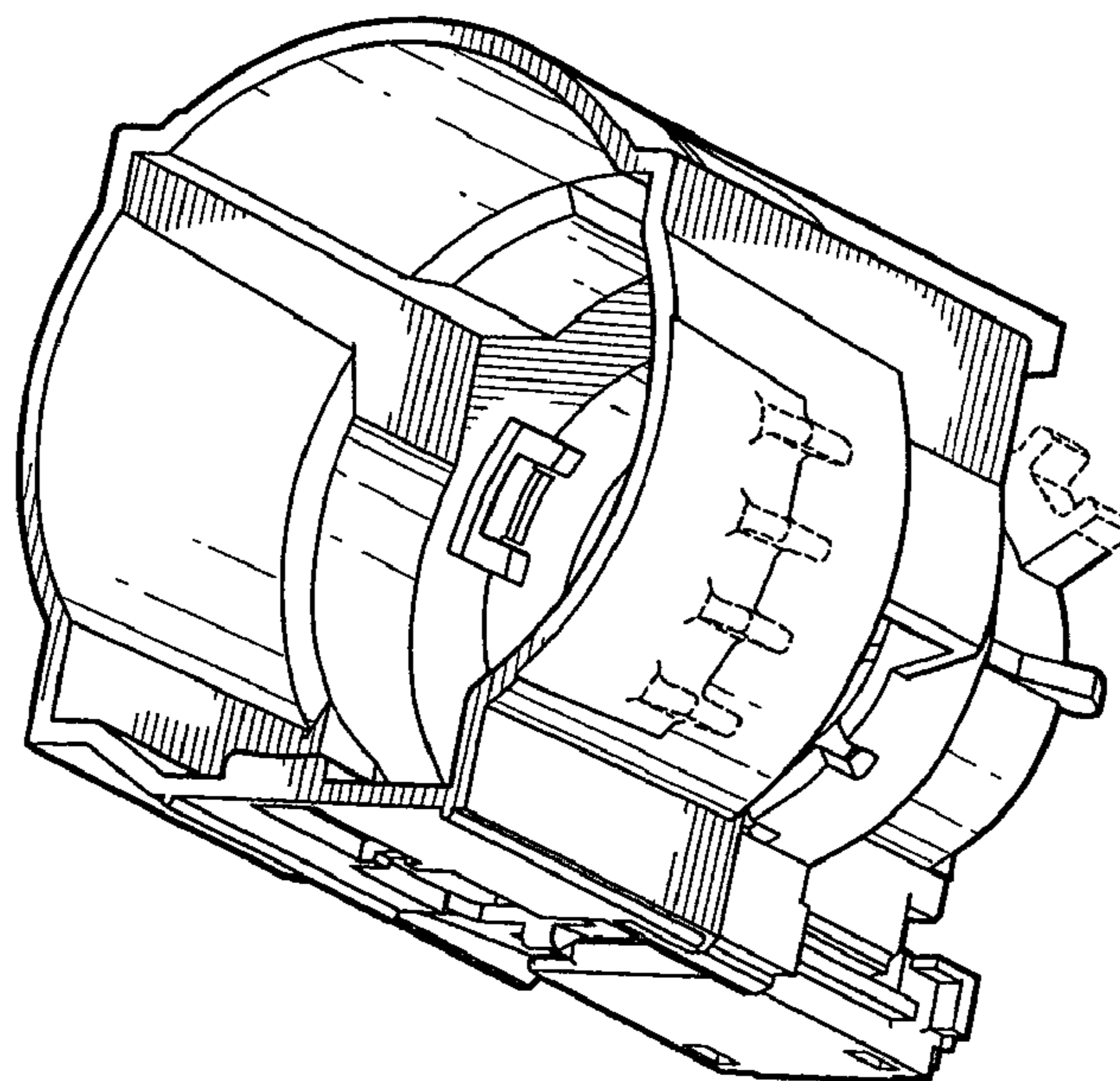


FIG. 14