



US00D650413S

(12) **United States Design Patent**
Murata

(10) **Patent No.:** **US D650,413 S**

(45) **Date of Patent:** **** Dec. 13, 2011**

(54) **TONER CARTRIDGE**

(75) Inventor: **Koji Murata**, Osaka (JP)

(73) Assignee: **Kyocera Mita Corporation**, Osaka (JP)

(**) Term: **14 Years**

(21) Appl. No.: **29/369,489**

(22) Filed: **Sep. 9, 2010**

(30) **Foreign Application Priority Data**

Mar. 18, 2010 (JP) 2010-006670

(51) **LOC (9) Cl.** **16-03**

(52) **U.S. Cl.** **D18/43**

(58) **Field of Classification Search** D14/471;
D18/12, 36, 40, 43, 44, 56; 222/DIG. 1;
347/197, 222; 399/24-28, 107-112, 119,
399/121, 122, 222-224

See application file for complete search history.

(56) **References Cited**

U.S. PATENT DOCUMENTS

D412,932 S * 8/1999 Okada D18/43
D442,624 S * 5/2001 Maeshima D18/43
D534,576 S * 1/2007 Hashimoto et al. D18/43

D552,164 S * 10/2007 Kouroku et al. D18/43
D594,507 S * 6/2009 Kinoshita et al. D18/43
D604,358 S * 11/2009 Kinoshita et al. D18/43
D621,871 S * 8/2010 Maeshima et al. D18/43

* cited by examiner

Primary Examiner — Garth Rademaker

(74) *Attorney, Agent, or Firm* — Young & Thompson

(57) **CLAIM**

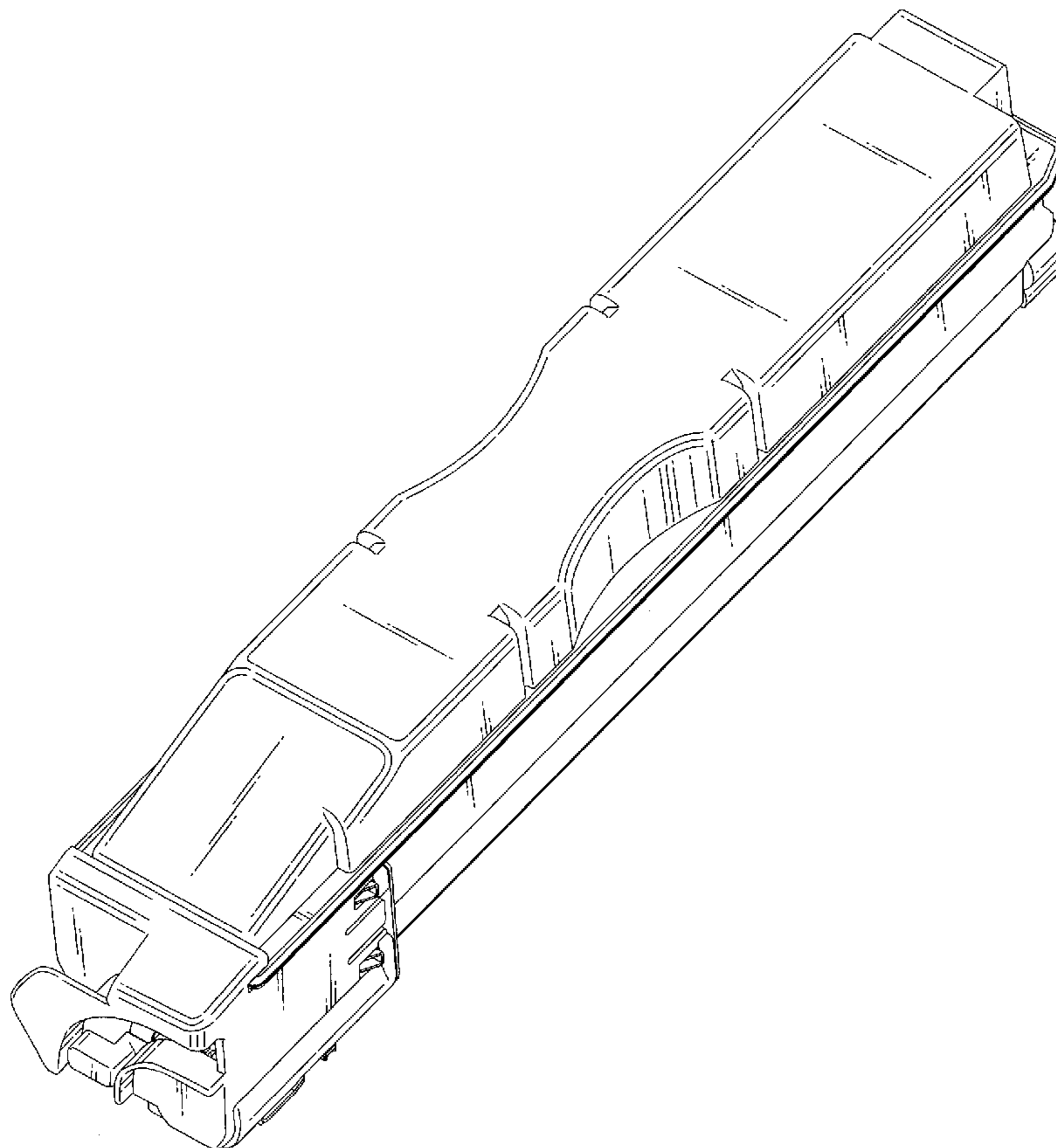
The ornamental design for a toner cartridge, as shown and described.

DESCRIPTION

FIG. 1 is a front, top, left side perspective view of a toner cartridge showing my new design;
FIG. 2 is a rear, bottom, right side perspective view thereof;
FIG. 3 is a rear, top, right side perspective view thereof;
FIG. 4 is a front elevation view thereof;
FIG. 5 is a rear elevation view thereof;
FIG. 6 is a top plan view thereof;
FIG. 7 is a bottom plan view thereof;
FIG. 8 is a right side elevation view thereof; and,
FIG. 9 is a left side elevation view thereof.

The broken lines in the drawings show environmental subject matter which forms no part of the claimed design.

1 Claim, 6 Drawing Sheets



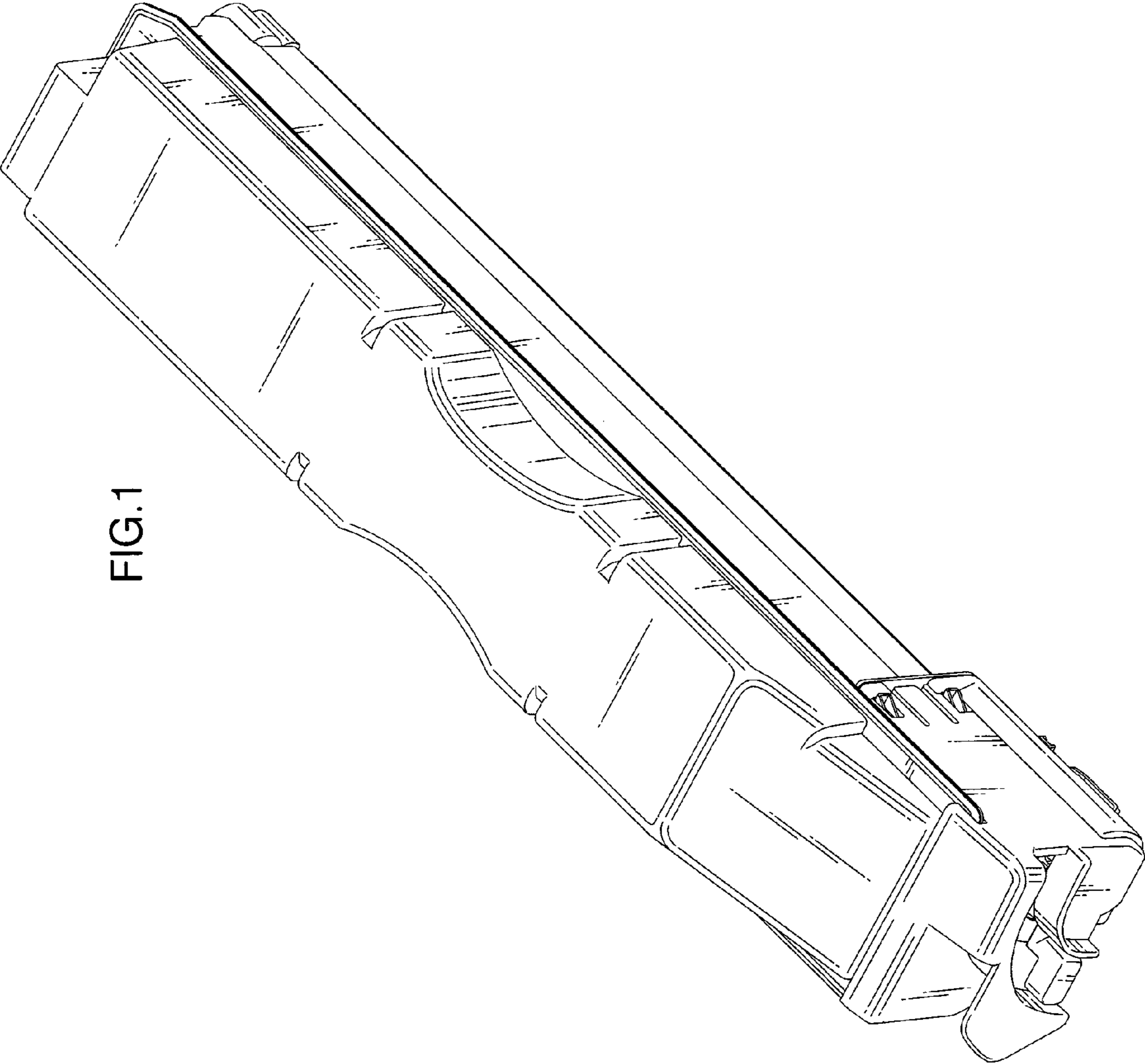


FIG.1

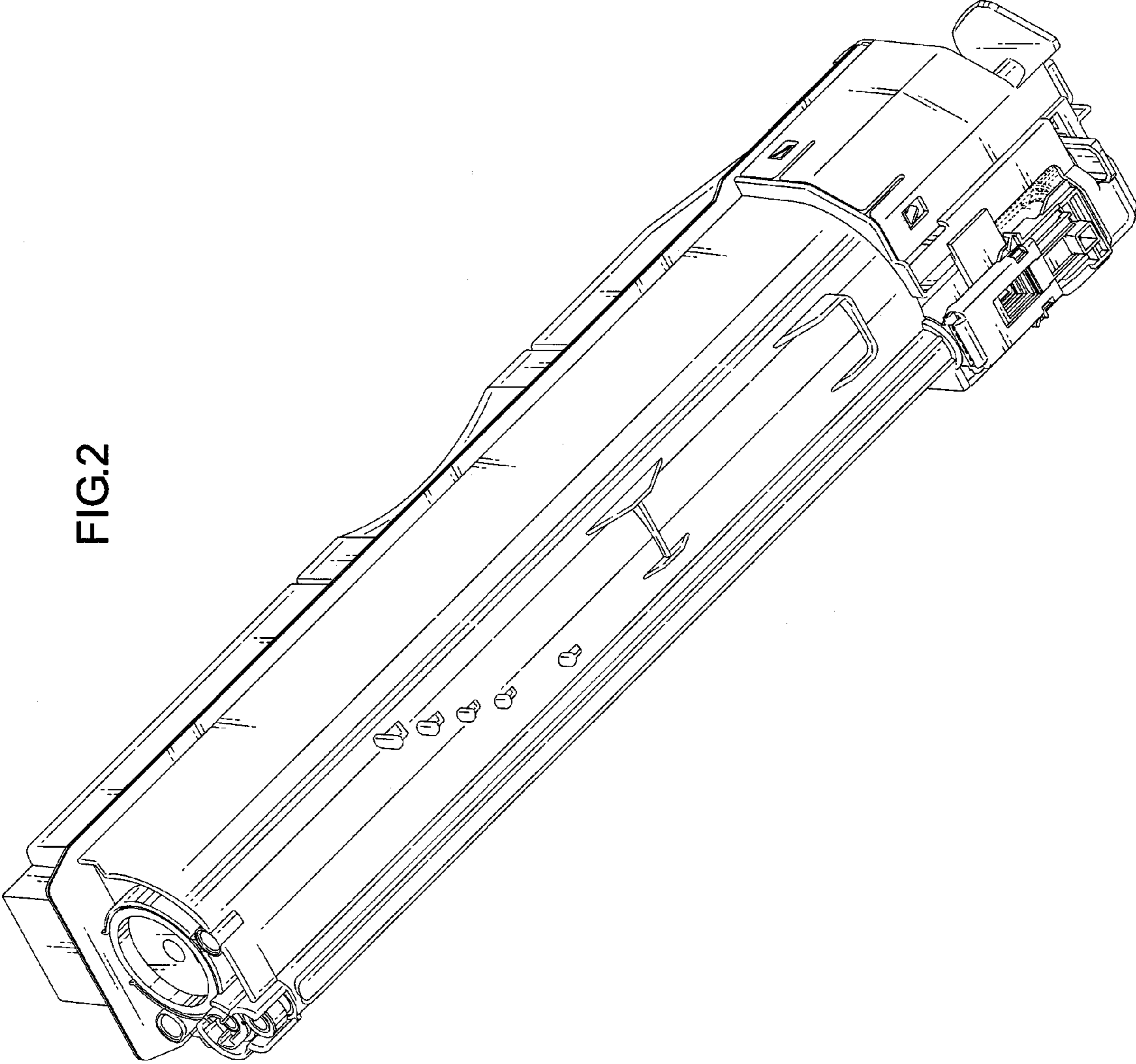


FIG.2

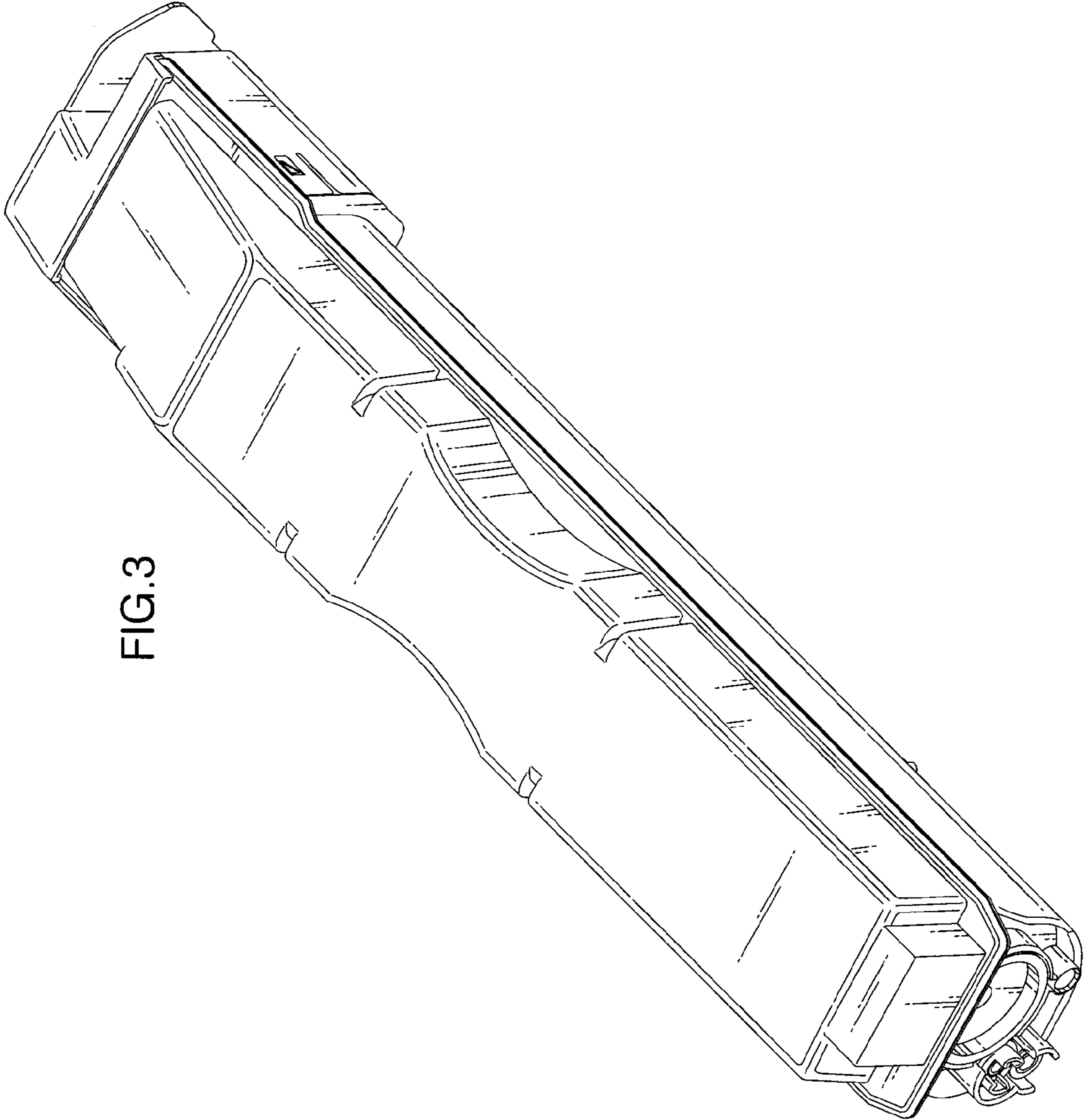


FIG.3

FIG.4

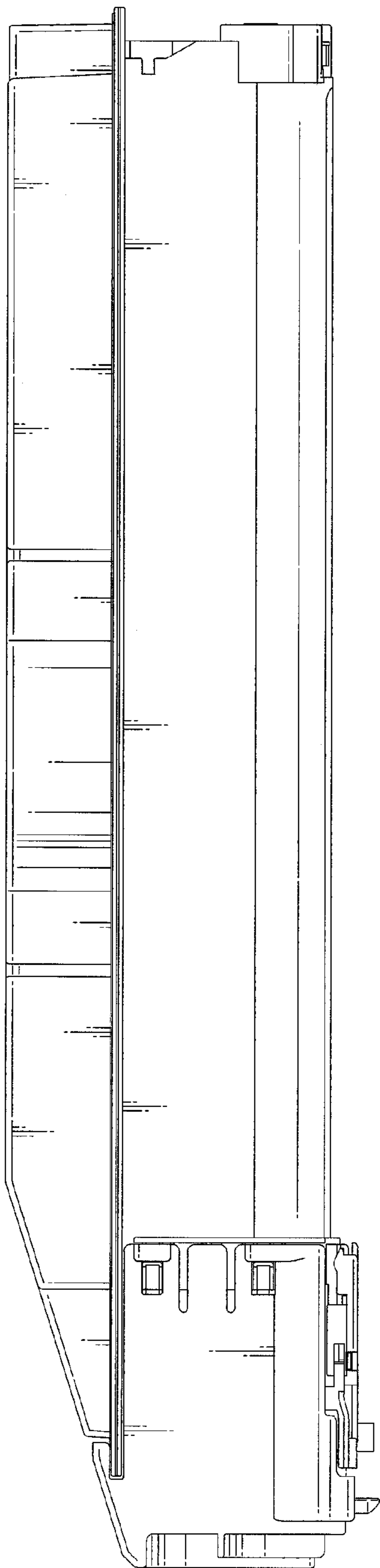


FIG.5

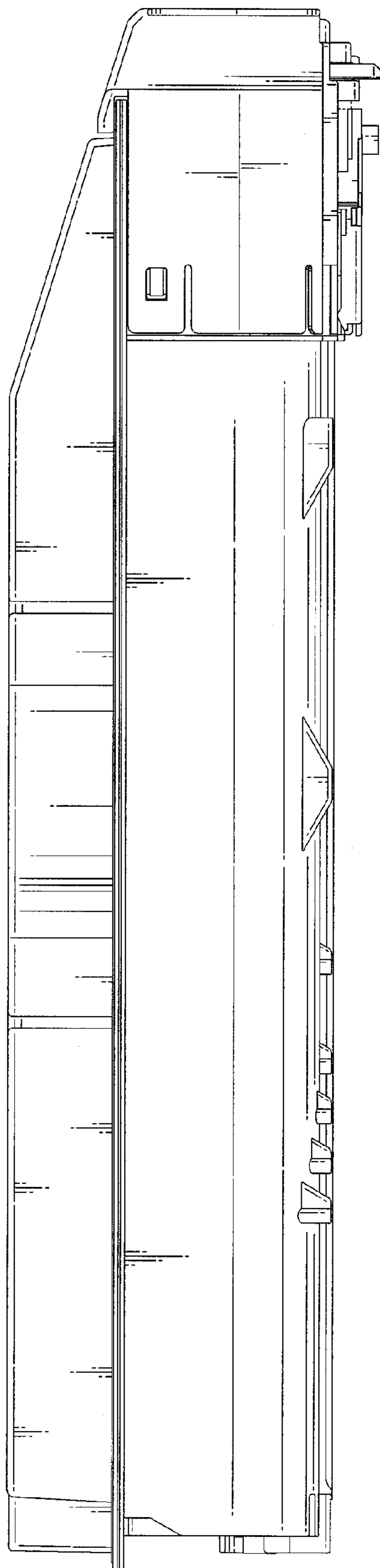


FIG.6

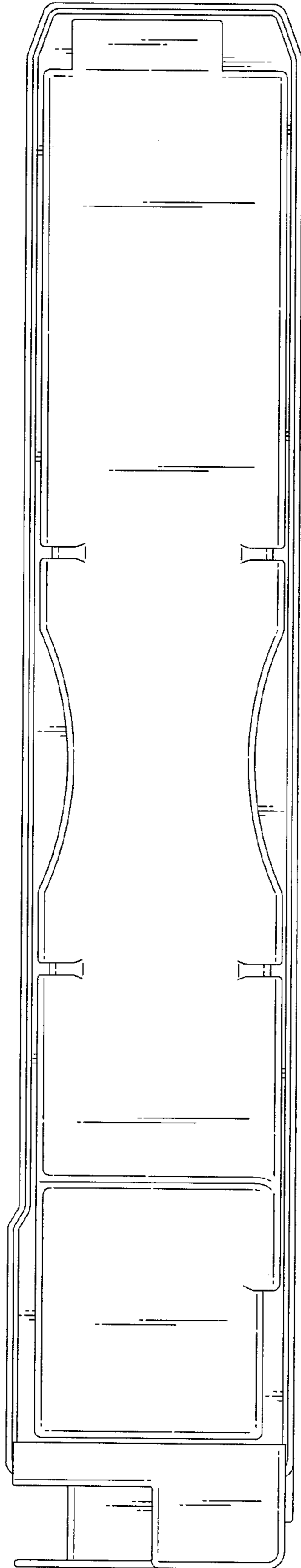


FIG.7

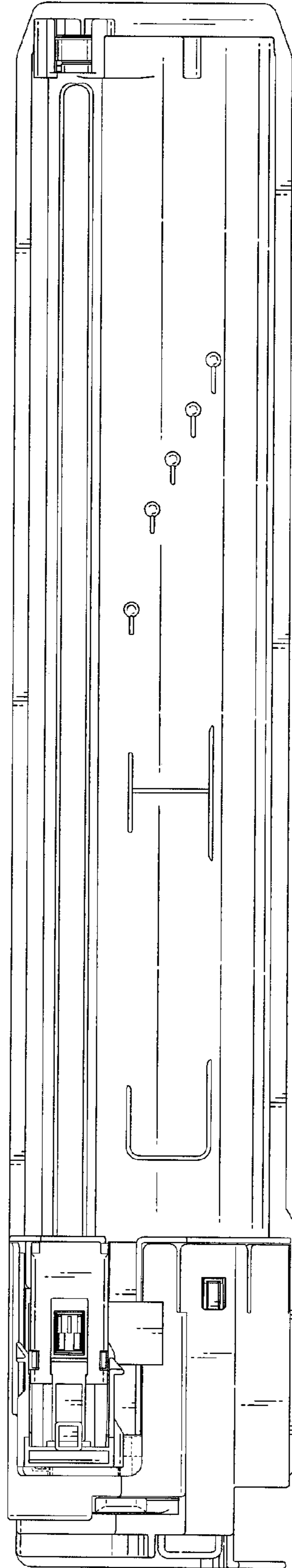


FIG.8

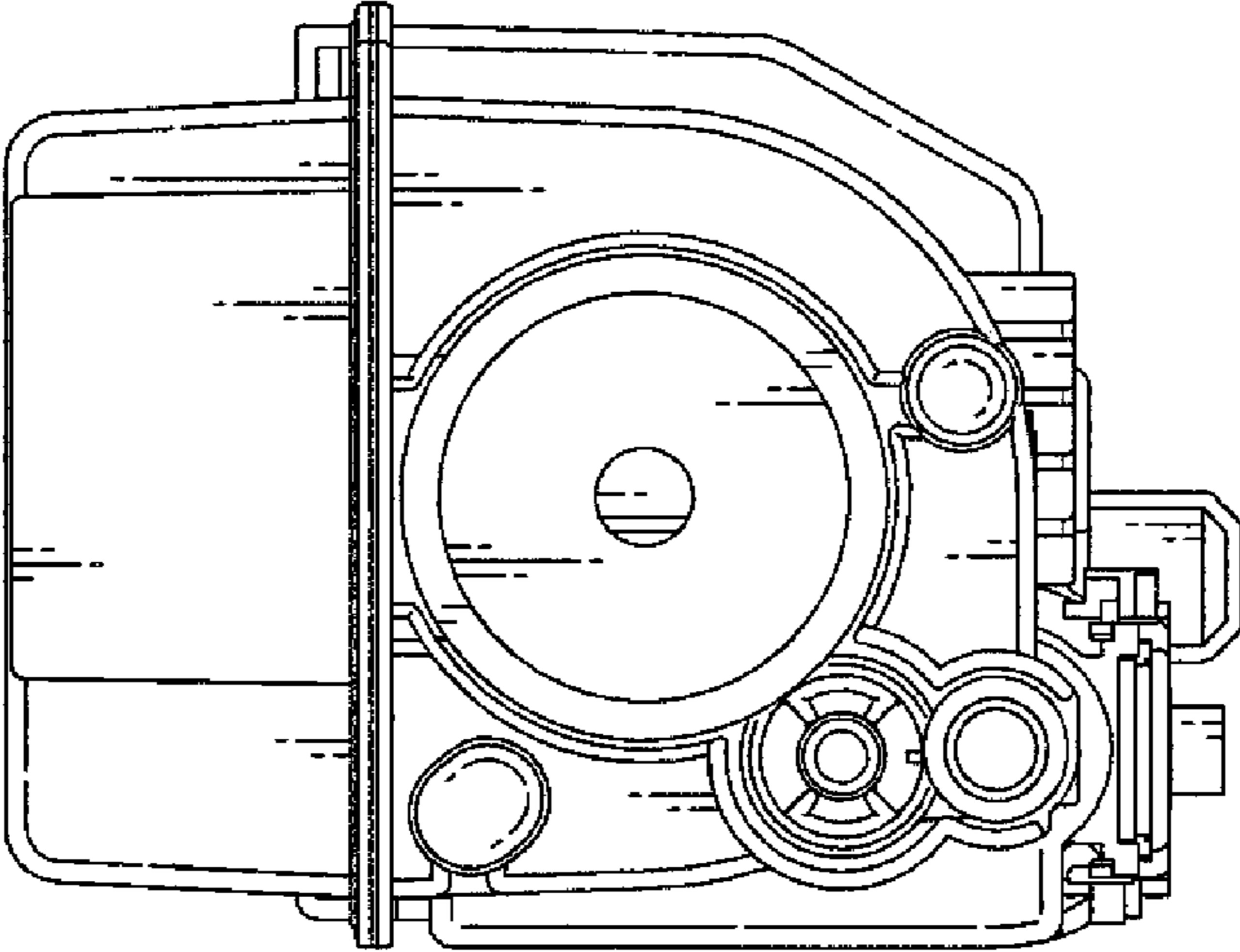


FIG.9

