



US00D650412S

(12) **United States Design Patent**  
**Shih**

(10) **Patent No.:** **US D650,412 S**

(45) **Date of Patent:** **\*\* Dec. 13, 2011**

(54) **STAMP**

(75) **Inventor:** **Hsu-Shen Shih, Yuan Kang (TW)**

(73) **Assignee:** **Sun Same Enterprises Co., Ltd., Tainan Hsien (TW)**

(\*\*) **Term:** **14 Years**

(21) **Appl. No.:** **29/370,616**

(22) **Filed:** **Aug. 12, 2010**

(51) **LOC (9) Cl.** ..... **19-02**

(52) **U.S. Cl.** ..... **D18/15**

(58) **Field of Classification Search** ..... D18/14,  
D18/15-21, 50, 51, 36; 400/88; 118/264,  
118/268; 101/333, 334, 327, 328, 405, 406,  
101/287; 347/109; 358/1.18  
See application file for complete search history.

(56) **References Cited**

**U.S. PATENT DOCUMENTS**

201,048	A *	3/1878	Roberts et al.	101/334
232,349	A *	9/1880	Hill	101/334
261,229	A *	7/1882	Hill	101/334
1,121,940	A *	12/1914	Nagel	101/334
2,079,080	A *	5/1937	Melind	101/334
3,099,955	A *	8/1963	Keck	101/105
3,359,897	A *	12/1967	Harte	101/334
5,850,787	A *	12/1998	Pichler	101/105
D417,464	S *	12/1999	Skopek	D18/15
6,067,905	A *	5/2000	Faber	101/334

D451,944	S *	12/2001	Lipkin et al.	D18/15
6,453,813	B1 *	9/2002	Faber	101/405
7,021,211	B1 *	4/2006	Shih	101/405
D540,848	S *	4/2007	Faber	D18/15
D542,335	S *	5/2007	Faber	D18/15
D586,844	S *	2/2009	Shih	D18/15
D588,187	S *	3/2009	Shih	D18/15
7,520,221	B2 *	4/2009	Ameshofer	101/334
7,761,959	B2 *	7/2010	Shih	16/436
D621,440	S *	8/2010	Shih	D18/15
2009/0255427	A1 *	10/2009	Faber	101/334

\* cited by examiner

*Primary Examiner* — Jeffrey D Asch

(74) *Attorney, Agent, or Firm* — William E. Pelton, Esq.;  
Cooper & Dunham LLP

(57) **CLAIM**

The ornamental design for a stamp, as shown and described.

**DESCRIPTION**

FIG. 1 is a perspective view of a stamp, showing my new design;

FIG. 2 is a front view thereof;

FIG. 3 is a rear view thereof;

FIG. 4 is a left view thereof;

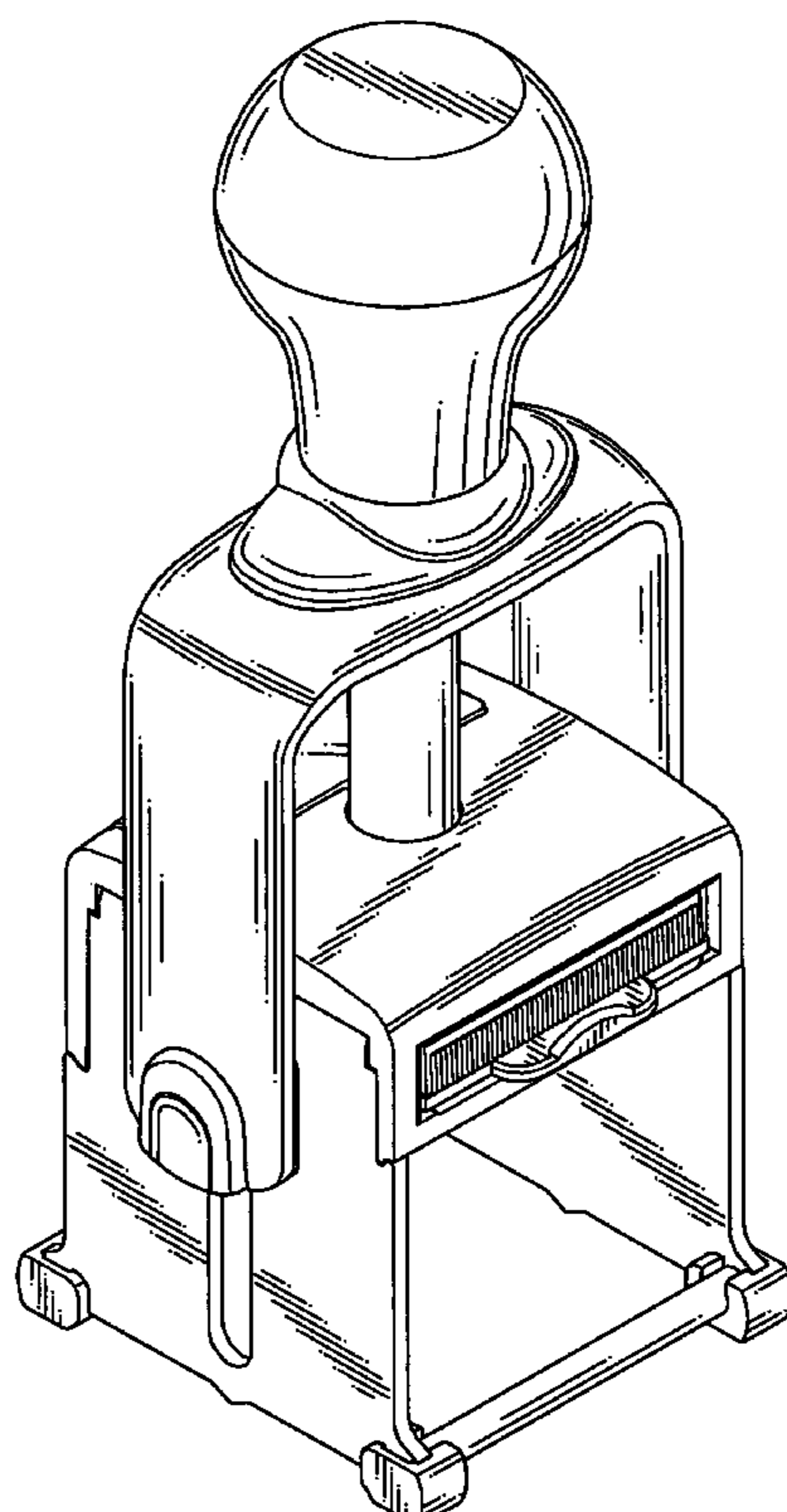
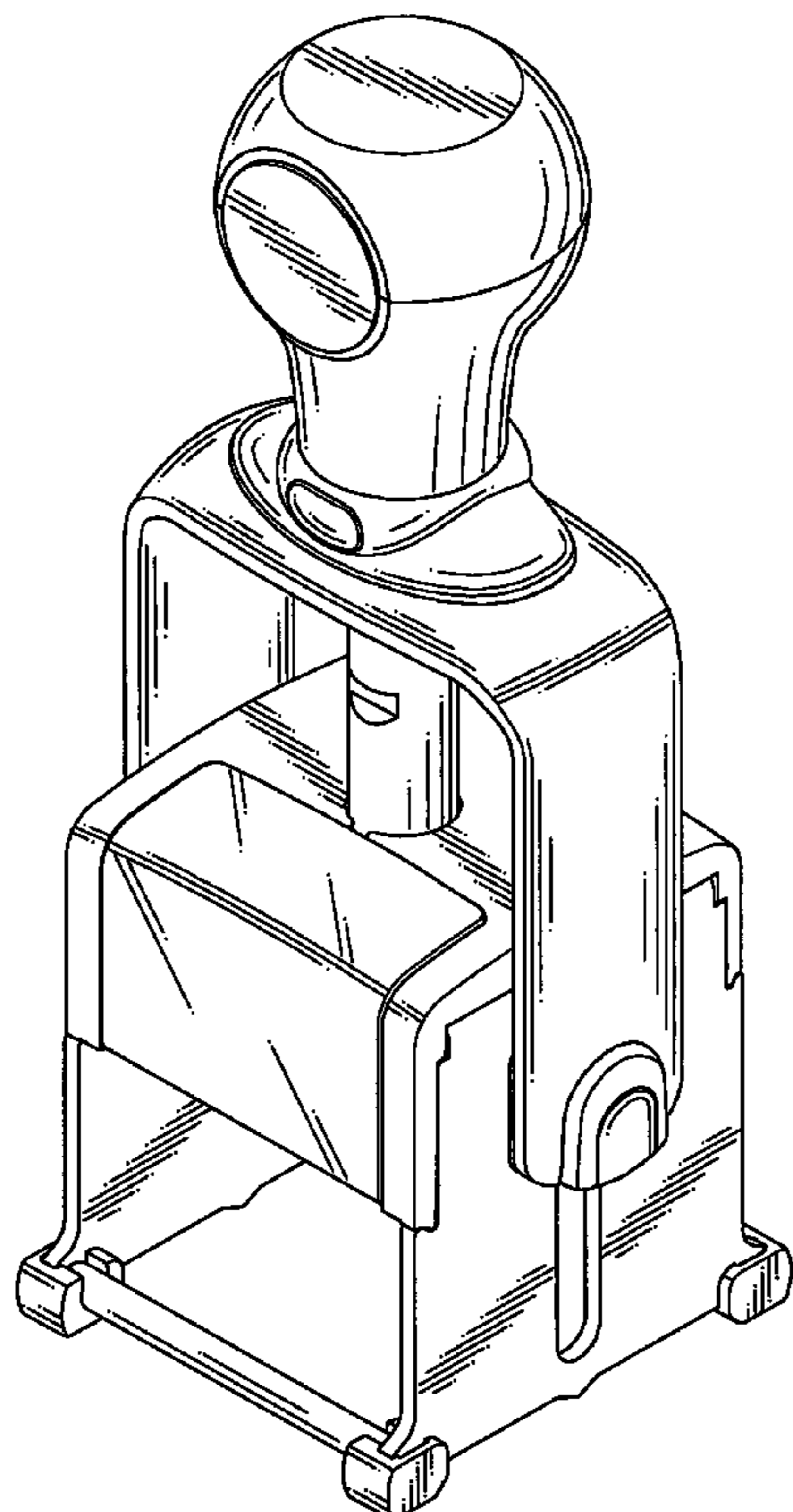
FIG. 5 is a right view thereof;

FIG. 6 is a top view thereof; and,

FIG. 7 is another perspective view thereof.

The broken lines on the drawings are shown for illustrative purposes only and form no part of the claimed design.

**1 Claim, 7 Drawing Sheets**



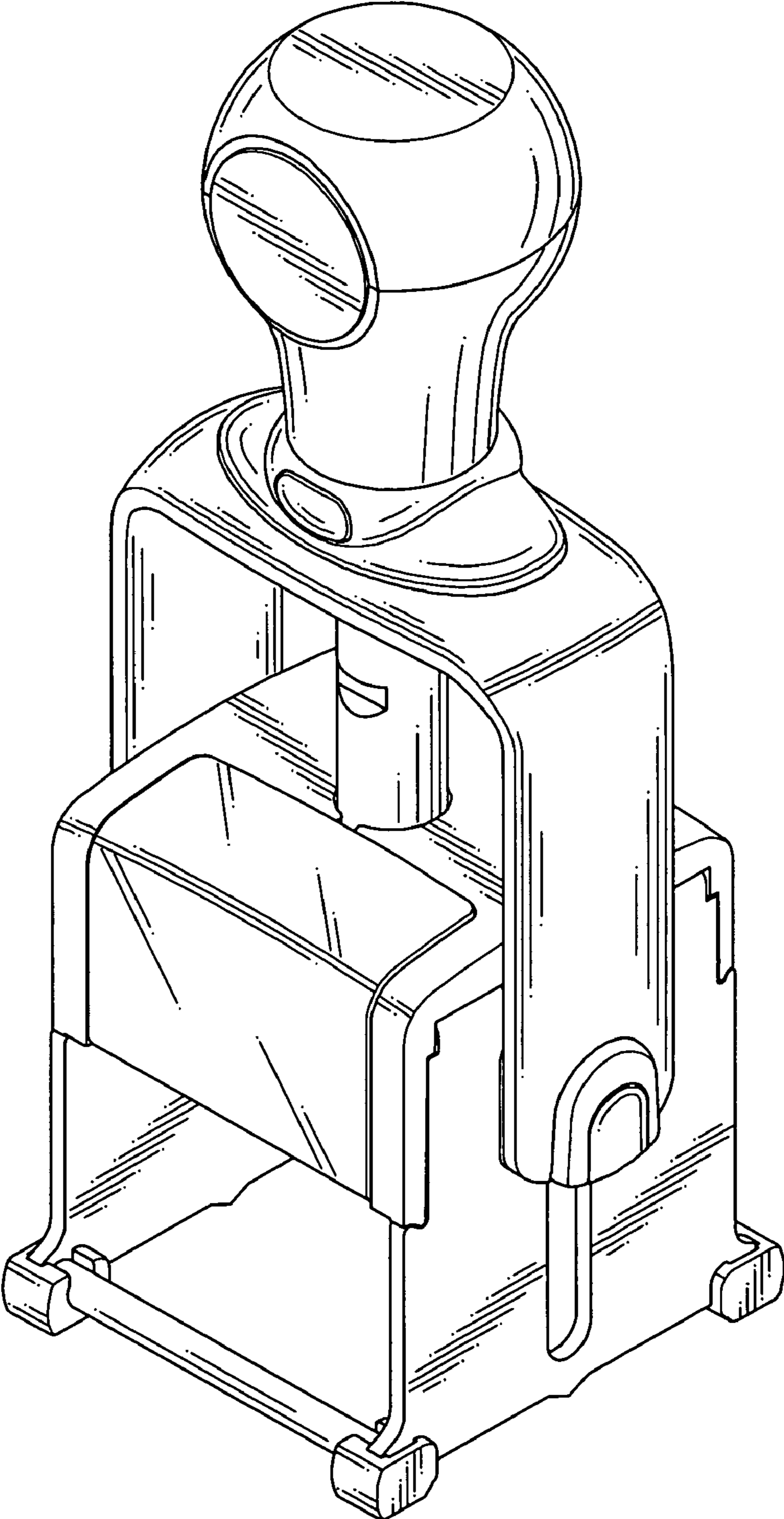


FIG. 1

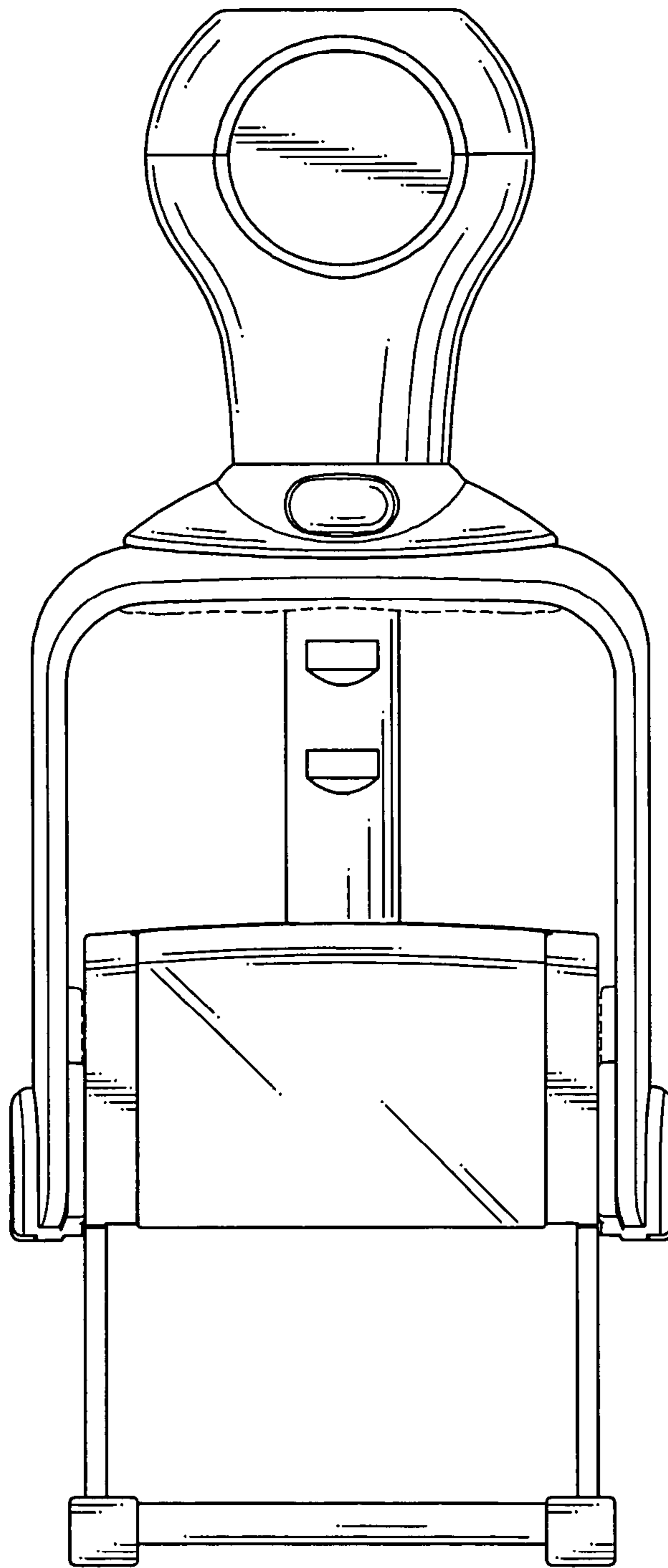


FIG. 2

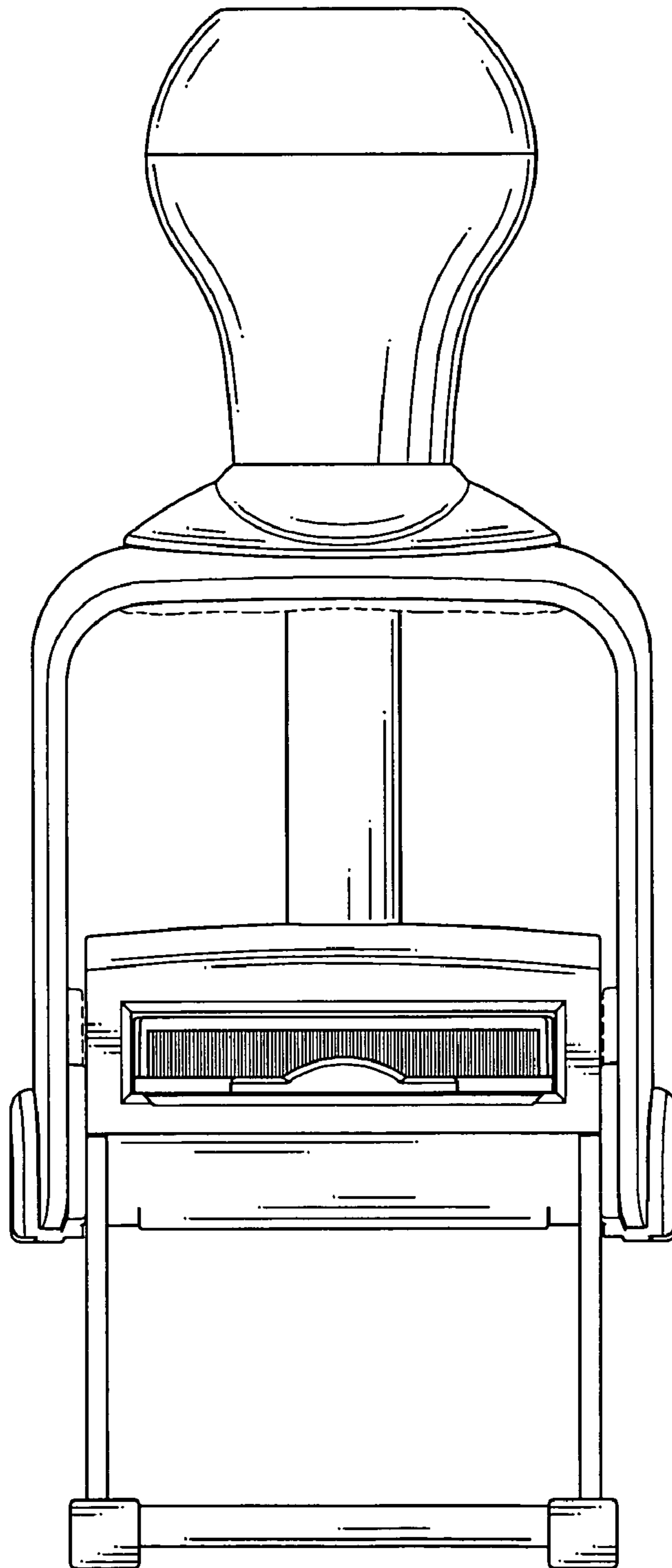


FIG. 3

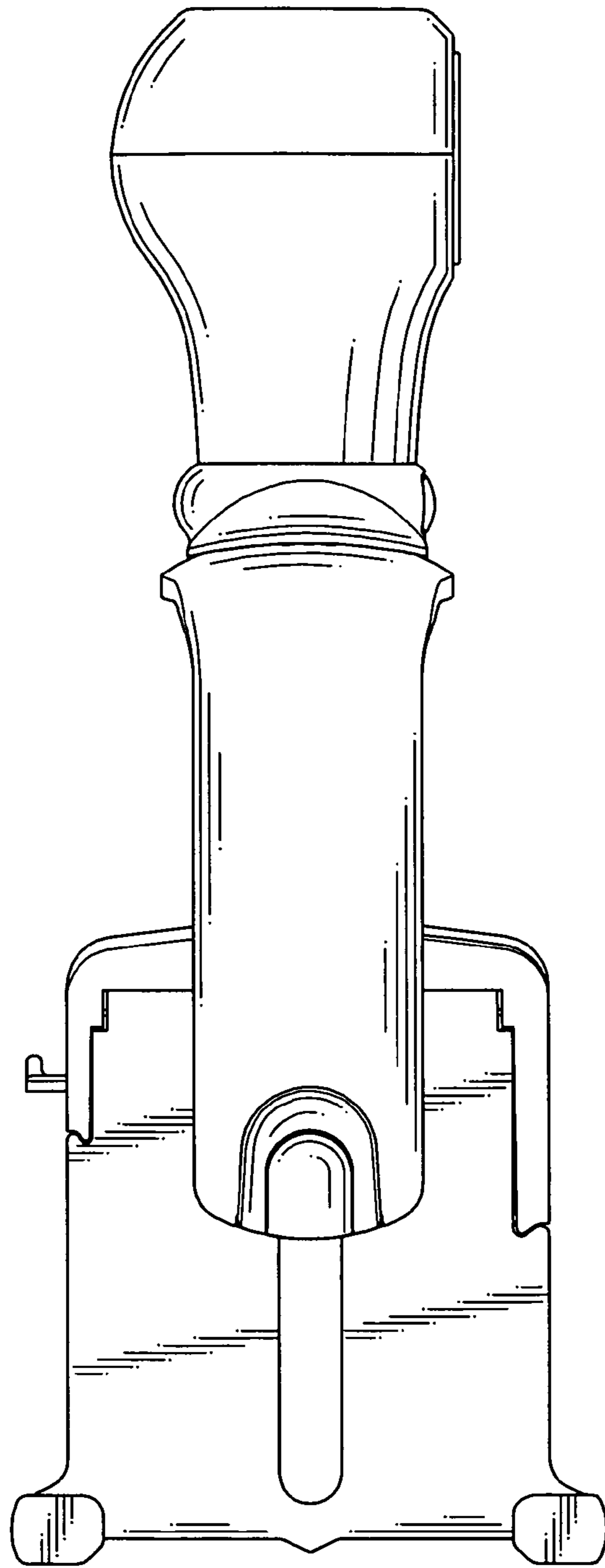


FIG. 4

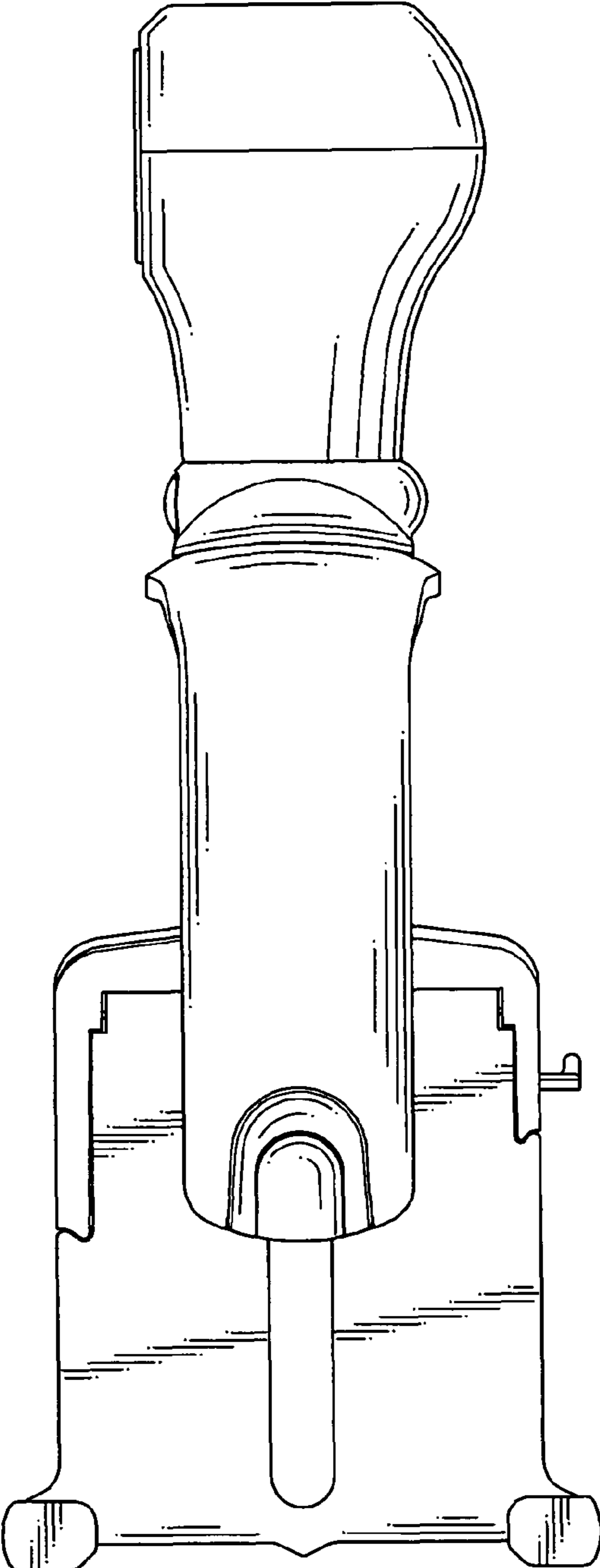


FIG. 5

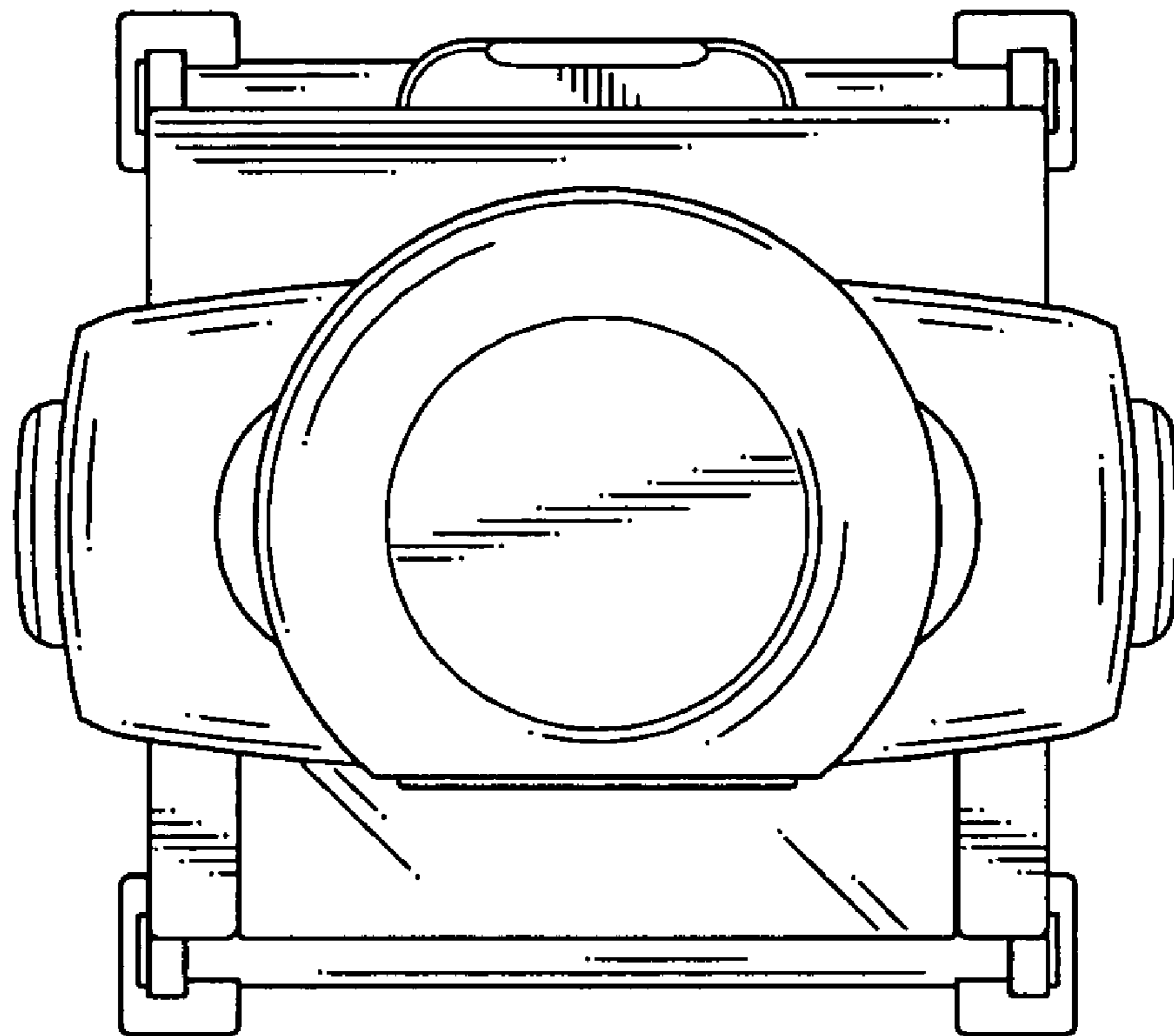


FIG. 6

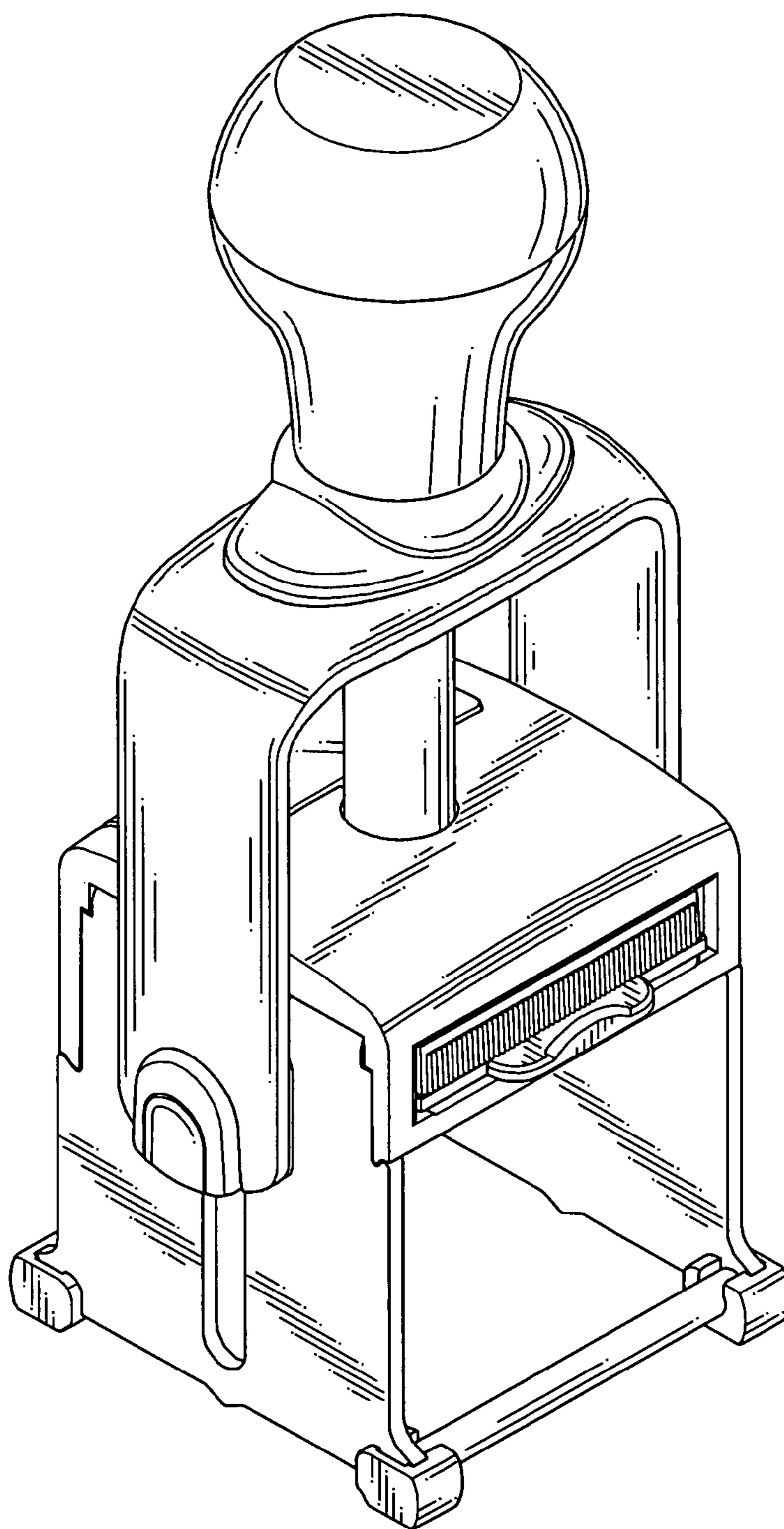


FIG. 7