



US00D650408S

(12) **United States Design Patent**
Kim et al.

(10) **Patent No.:** **US D650,408 S**

(45) **Date of Patent:** **** Dec. 13, 2011**

(54) **VIDEO TELEPHONY DEVICE FOR IPTV**

(75) Inventors: **Chang-Yong Kim**, Yongin-si (KR);
Dae-Woo Cho, Yongin-si (KR); **Hye-Jin Lee**, Hwaseong-si (KR)

(73) Assignee: **Samsung Electronics Co., Ltd.**,
Maetan-dong, Yeongtong-gu, Suwon-si,
Gyeonggi-do (KR)

(**) Term: **14 Years**

(21) Appl. No.: **29/359,177**

(22) Filed: **Apr. 7, 2010**

(51) **LOC (9) Cl.** **16-01**

(52) **U.S. Cl.** **D16/202**

(58) **Field of Classification Search** D16/200,
D16/202–204, 208, 214, 218; 348/373, 375,
348/14.01–14.09, 14.1, 14.11–14.16; 396/419,
396/427, 535; D14/140.9, 144, 239, 240
See application file for complete search history.

(56) **References Cited**

U.S. PATENT DOCUMENTS

D487,104	S *	2/2004	Obata	D16/202
7,093,811	B2 *	8/2006	Wu	248/229.12
D535,676	S *	1/2007	Dayan	D16/218
D576,649	S *	9/2008	Kim	D16/202
D577,050	S *	9/2008	Dayan	D16/219
D581,441	S *	11/2008	Kim	D16/218
D581,960	S *	12/2008	Kim et al.	D16/218
7,563,040	B2 *	7/2009	Tsai et al.	396/428
D600,730	S *	9/2009	Su	D16/202
7,677,815	B2 *	3/2010	Lane et al.	396/348
7,775,486	B2 *	8/2010	Depay et al.	248/126

D631,497	S *	1/2011	Han et al.	D16/202
D641,770	S *	7/2011	Hoehn et al.	D16/202
2006/0061655	A1 *	3/2006	Wang	348/148
2009/0237490	A1 *	9/2009	Nelson, Jr.	348/43
2011/0050840	A1 *	3/2011	Ryu et al.	348/14.01

* cited by examiner

Primary Examiner — Cathron Brooks

Assistant Examiner — Deanna Fluegeman

(74) *Attorney, Agent, or Firm* — Lexyoume IP Group, PLLC.

(57) **CLAIM**

The ornamental design for a video telephony device for IPTV, as shown and described.

DESCRIPTION

FIG. 1 is a front perspective view of a video telephony device for IPTV showing our new design;
 FIG. 2 is a front elevational view thereof;
 FIG. 3 is a rear elevational view thereof;
 FIG. 4 is a left side elevational view thereof;
 FIG. 5 is a right side elevational view thereof;
 FIG. 6 is a top plan view thereof;
 FIG. 7 is a bottom plan view thereof;
 FIG. 8 is a perspective view of the video telephony device for IPTV showing our new design in a state in which the IPTV has the video telephony device; and,
 FIG. 9 is a rear perspective view of the video telephony device for IPTV showing our new design.
 The broken lines in the drawings illustrate the unclaimed environment and unclaimed portions of the video telephony device for IPTV and form no part of the claimed design.

1 Claim, 9 Drawing Sheets

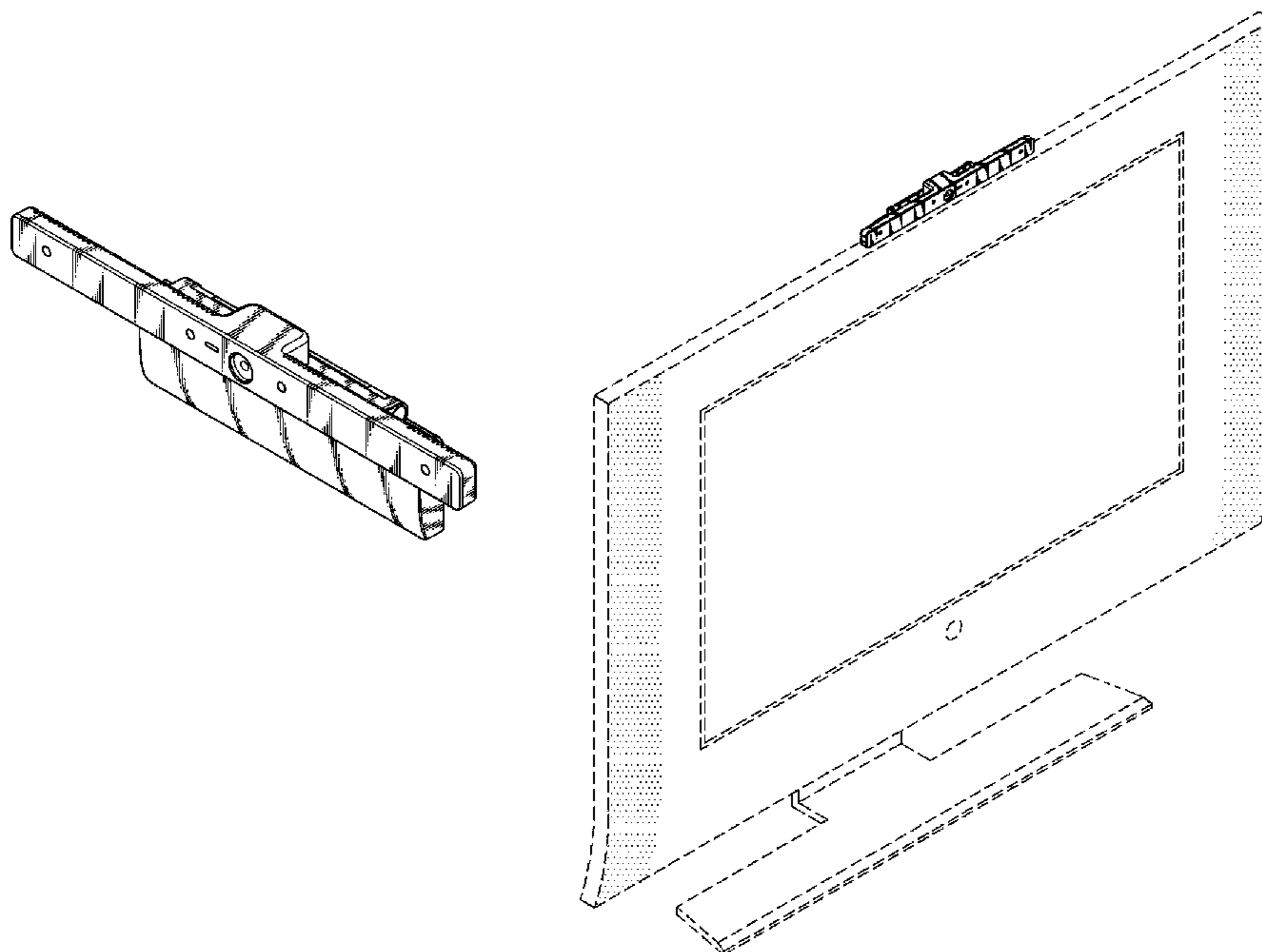


FIG. 1

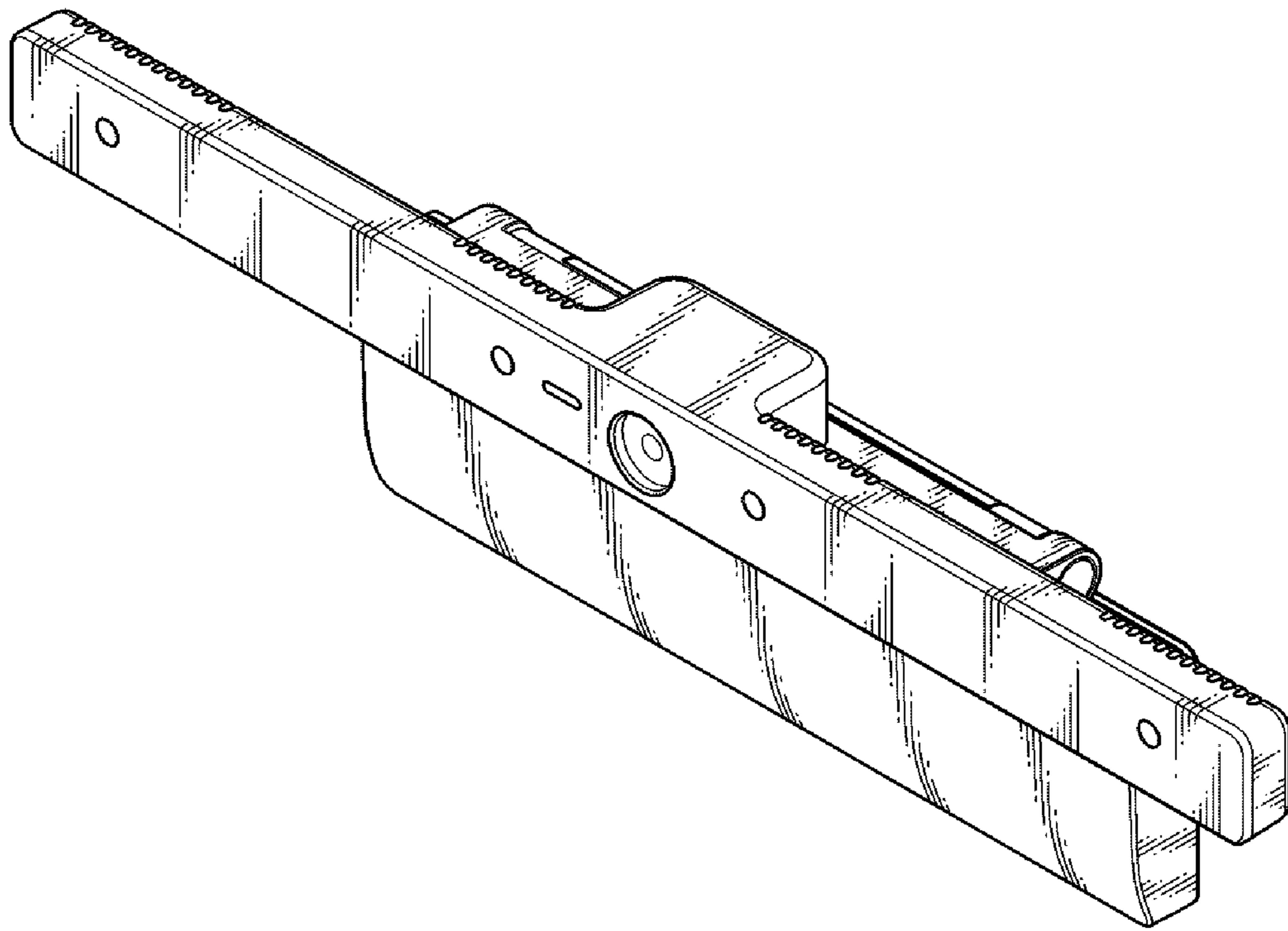


FIG. 2

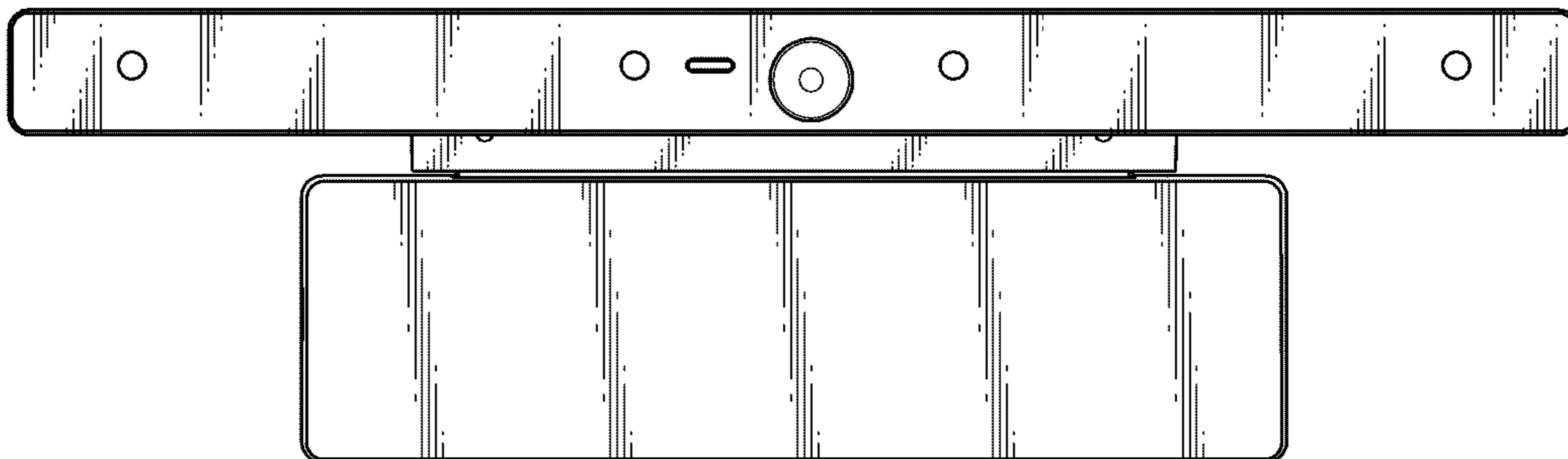


FIG. 3

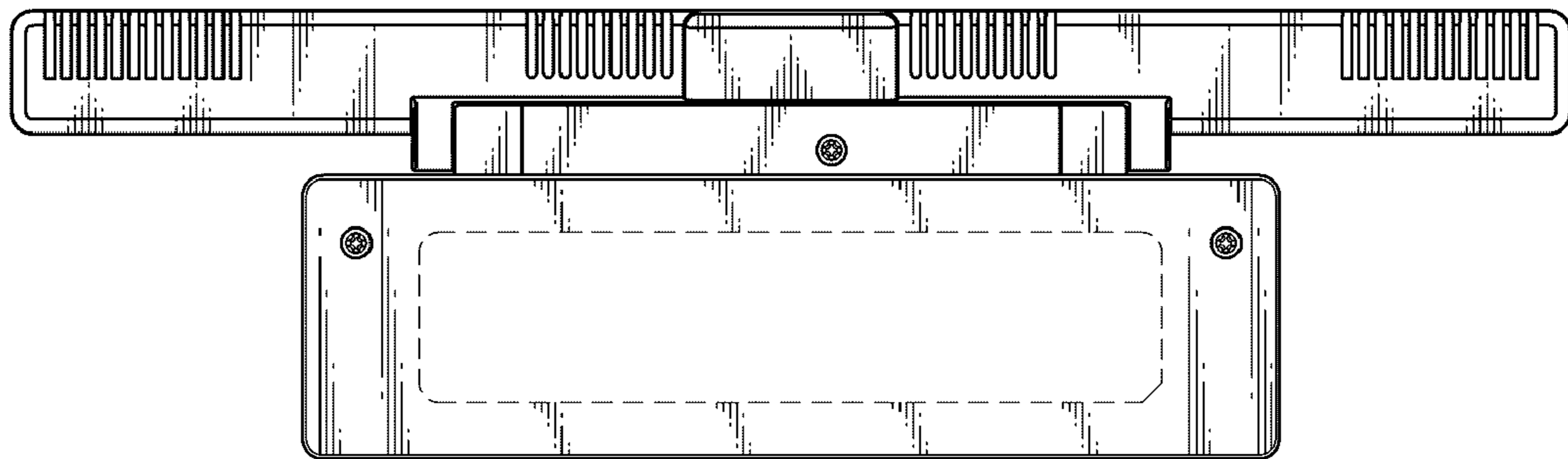


FIG. 4

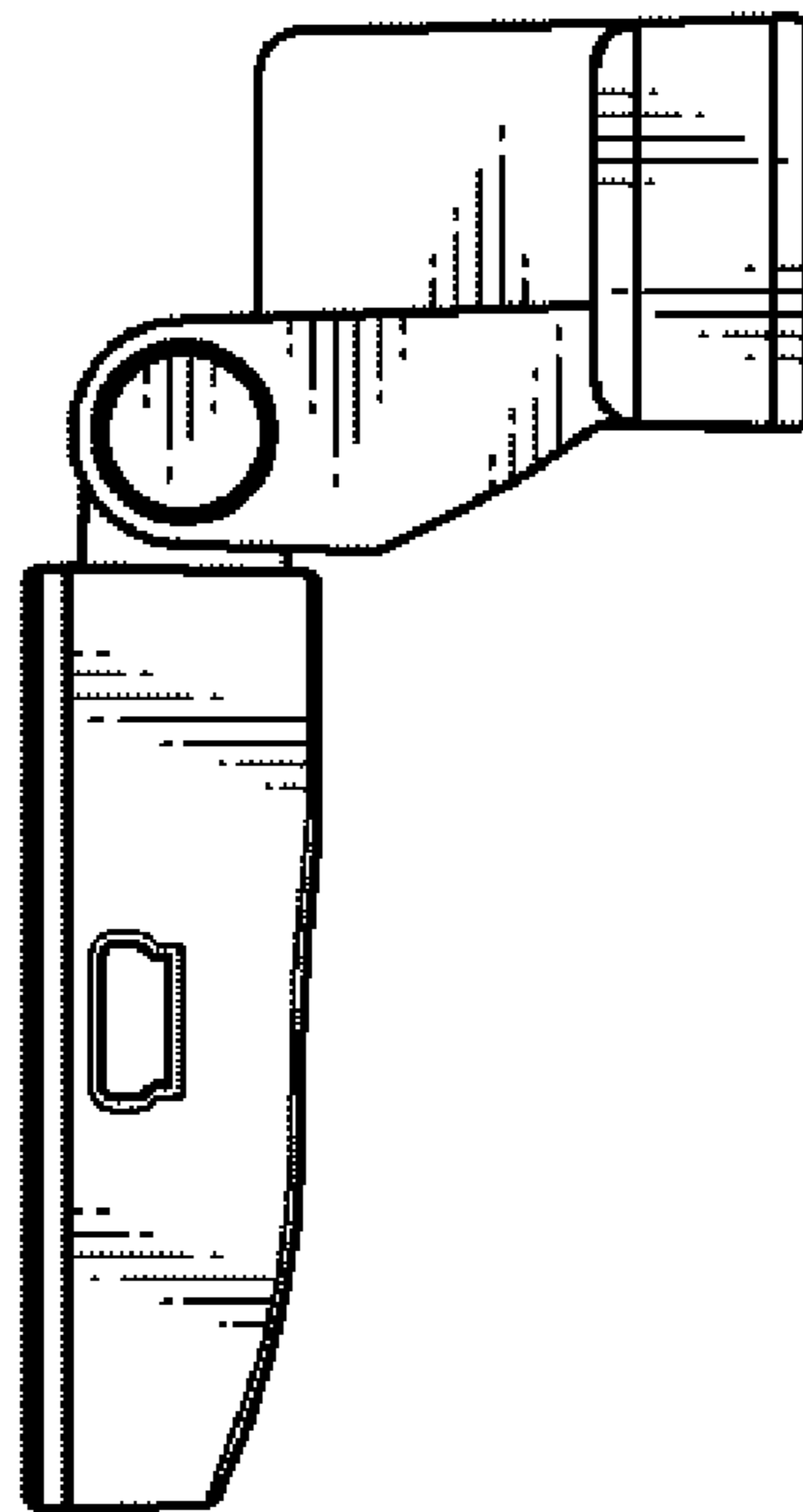


FIG. 5

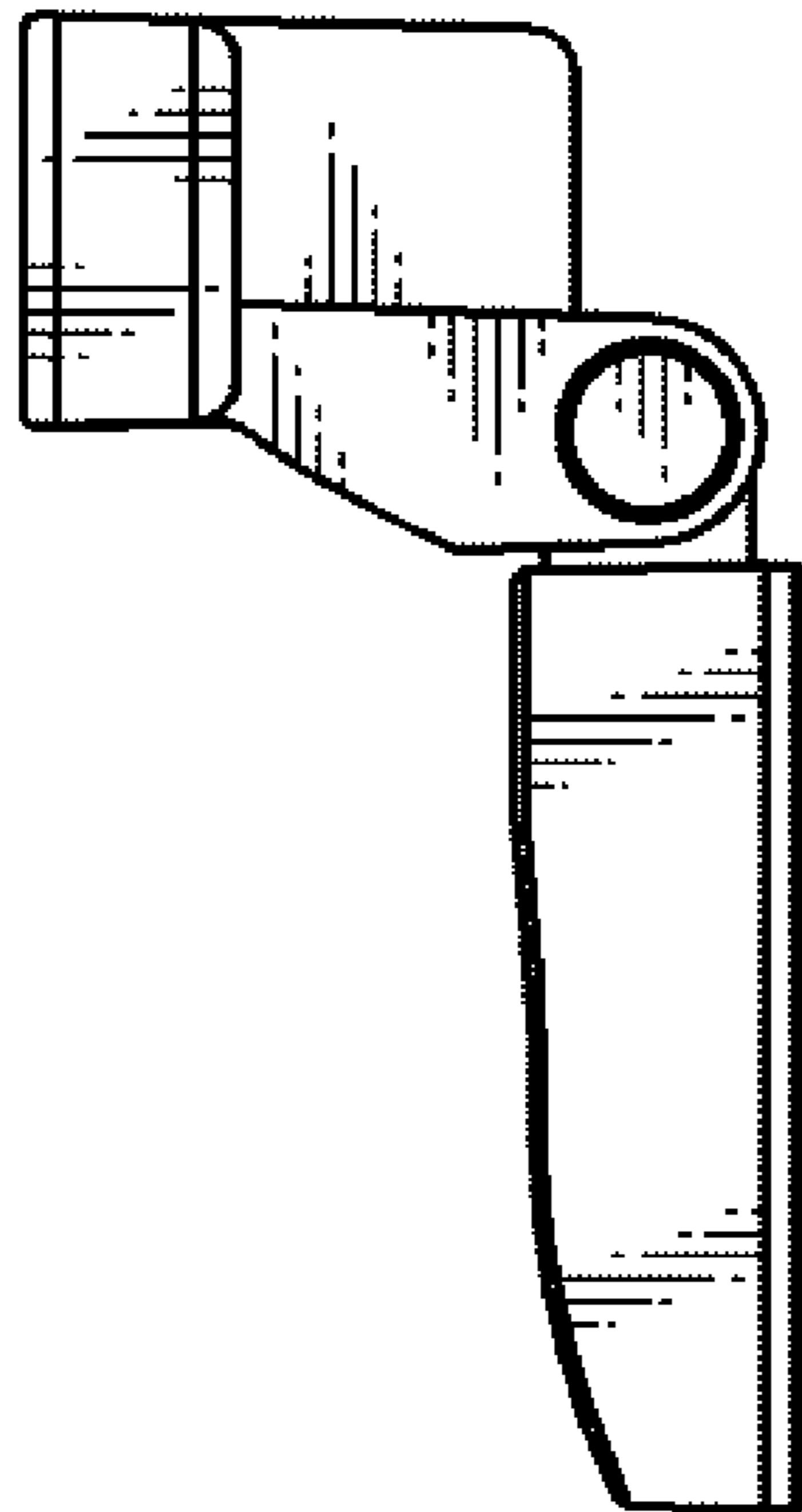


FIG. 6

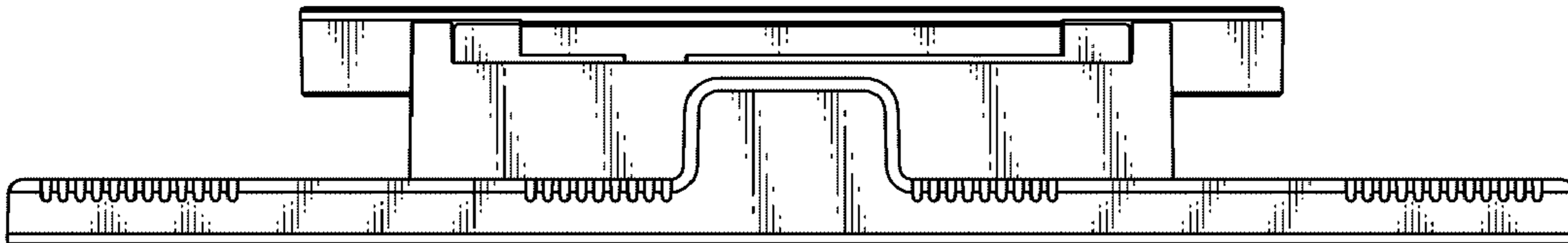


FIG. 7

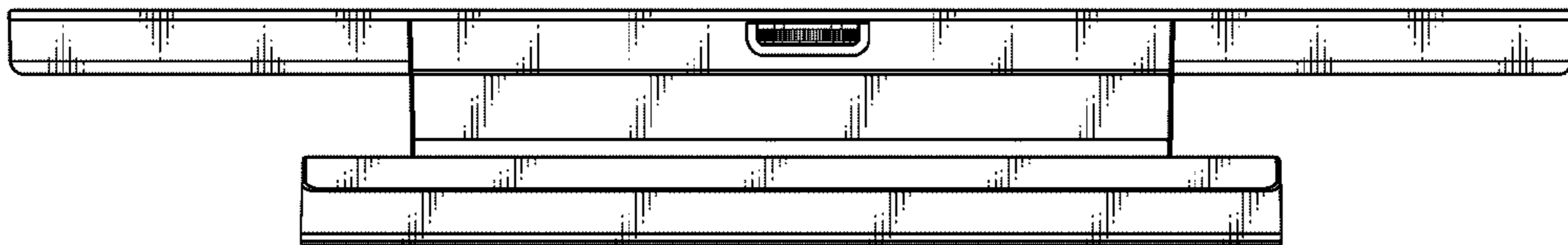


FIG. 8

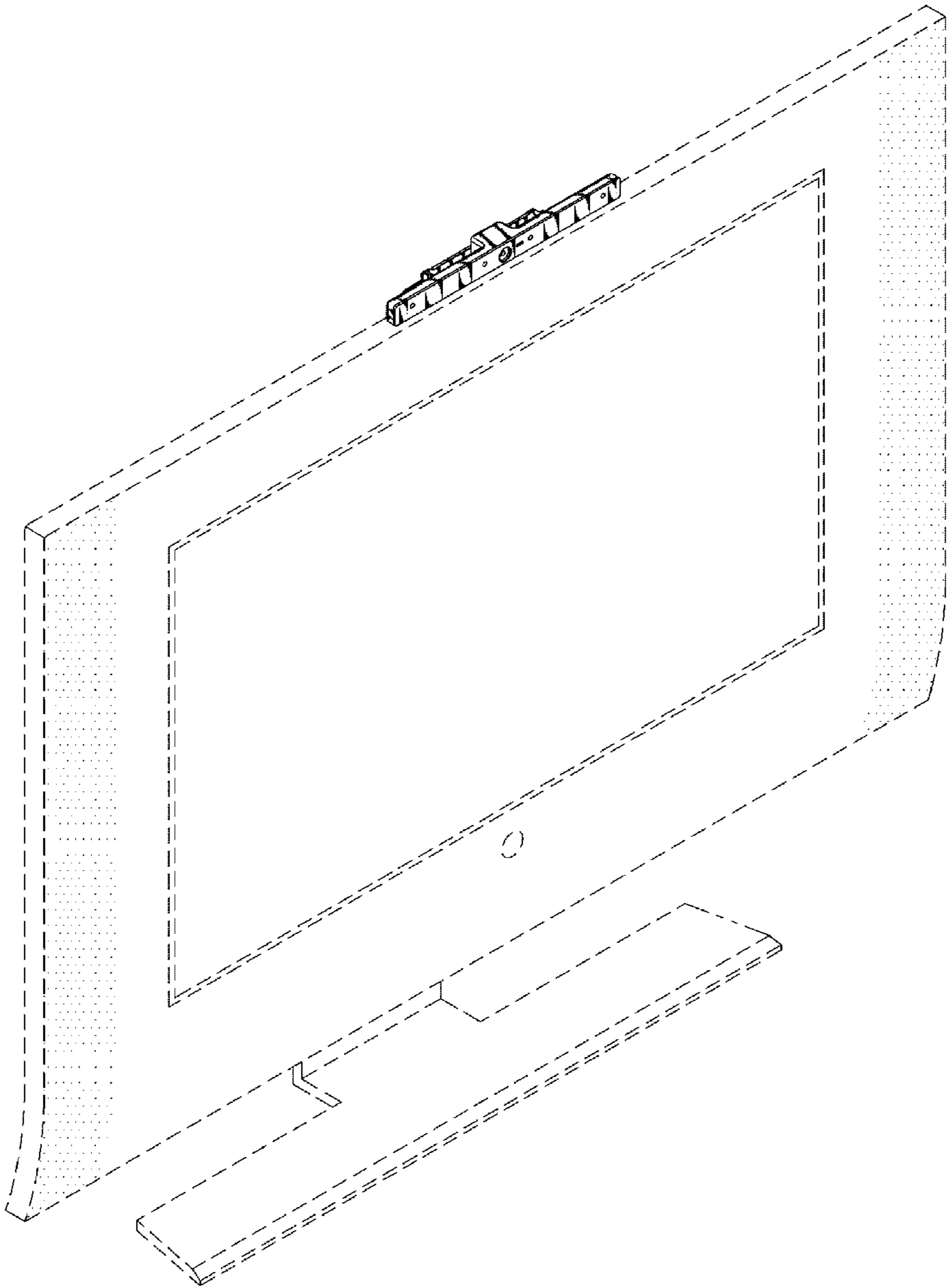


FIG. 9

