

US00D650407S

(12) **United States Design Patent**
Chang et al.

(10) **Patent No.:** **US D650,407 S**

(45) **Date of Patent:** **** *Dec. 13, 2011**

(54) **OPTICAL LENS**

(75) Inventors: **Hsueh-Chen Chang**, Miao-Li Hsien (TW); **Ming-Young Shiao**, Miao-Li Hsien (TW)

(73) Assignee: **Foxsemicon Integrated Technology, Inc.**, Chu-Nan, Miao-Li Hsien (TW)

(*) Notice: This patent is subject to a terminal disclaimer.

(**) Term: **14 Years**

(21) Appl. No.: **29/362,907**

(22) Filed: **Jun. 2, 2010**

(30) **Foreign Application Priority Data**

Feb. 8, 2010 (CN) 2010 30 303389

(51) **LOC (9) Cl.** **16-06**

(52) **U.S. Cl.** **D16/135**

(58) **Field of Classification Search** D16/130, D16/134, 135, 136, 137, 101; D13/147, D13/165, 180; D14/417, 420, 423, 432, D14/426, 427, 356, 357, 358, 434, 217; 359/808, 359/811, 813, 814, 819, 927, 362, 824, 642, 359/718, 719, 802, 803, 806, 807, 896; D26/122, D26/124

See application file for complete search history.

(56) **References Cited**

U.S. PATENT DOCUMENTS

D303,977	S	*	10/1989	Steel et al.	D16/135
5,050,963	A	*	9/1991	Murakami	359/808
5,612,826	A	*	3/1997	Ohshita	359/819
5,781,351	A	*	7/1998	Murakami et al.	359/808
D399,515	S	*	10/1998	Kung	D16/135
D456,811	S	*	5/2002	Wheelock et al.	D14/432
6,480,346	B2	*	11/2002	Funakoshi	359/808
D489,384	S	*	5/2004	Chan	D16/135
D564,975	S	*	3/2008	Horio et al.	D13/165
D619,633	S	*	7/2010	Chen et al.	D16/135
D622,232	S	*	8/2010	Lai et al.	D13/180
D623,212	S	*	9/2010	Chen et al.	D16/135
D627,314	S	*	11/2010	Lai et al.	D13/180

* cited by examiner

Primary Examiner — Paula Greene

(74) *Attorney, Agent, or Firm* — Altis Law Group, Inc.

(57) **CLAIM**

The ornamental design for an optical lens, as shown and described.

DESCRIPTION

FIG. 1 is a perspective view of an optical lens showing our new design.

FIG. 2 is a front elevational view thereof, the rear elevational view being a mirror image of FIG. 2.

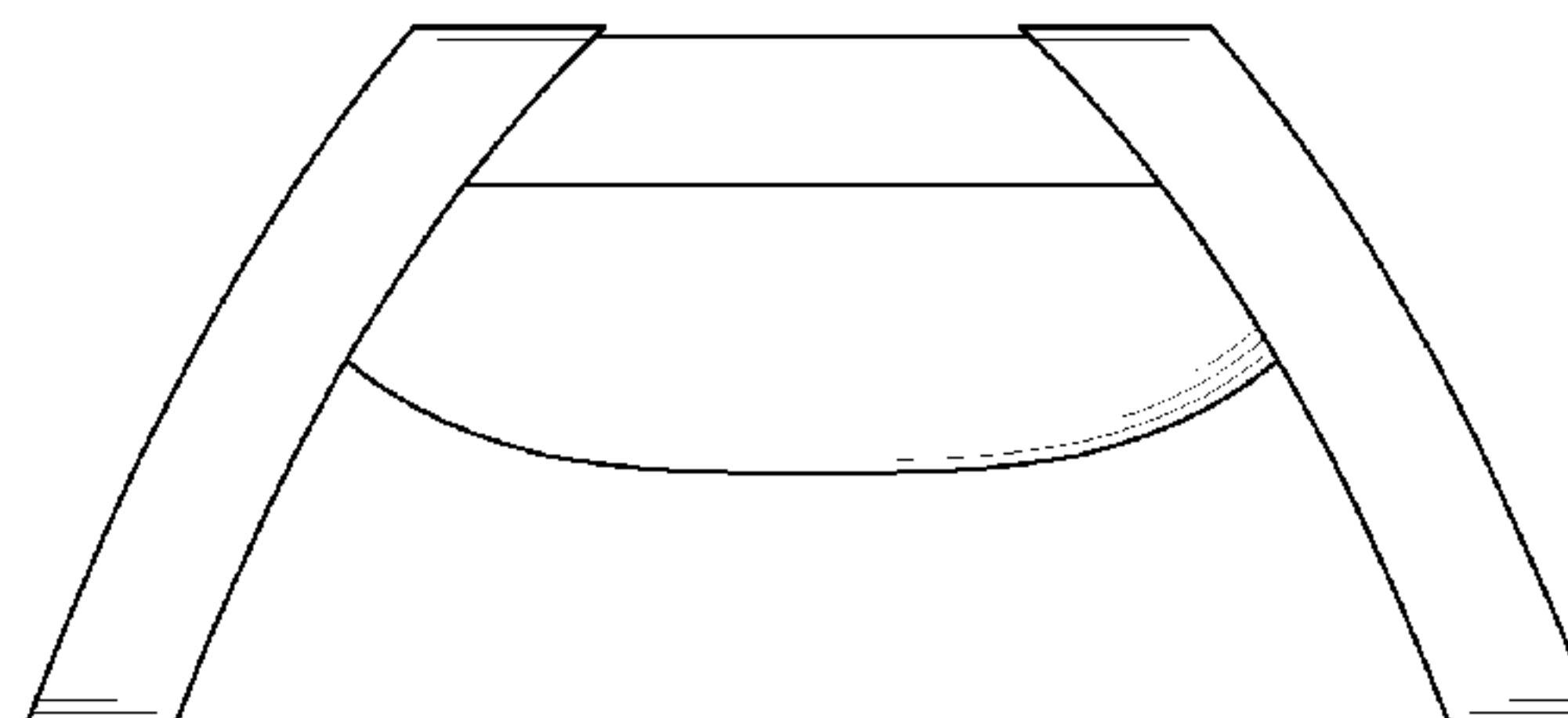
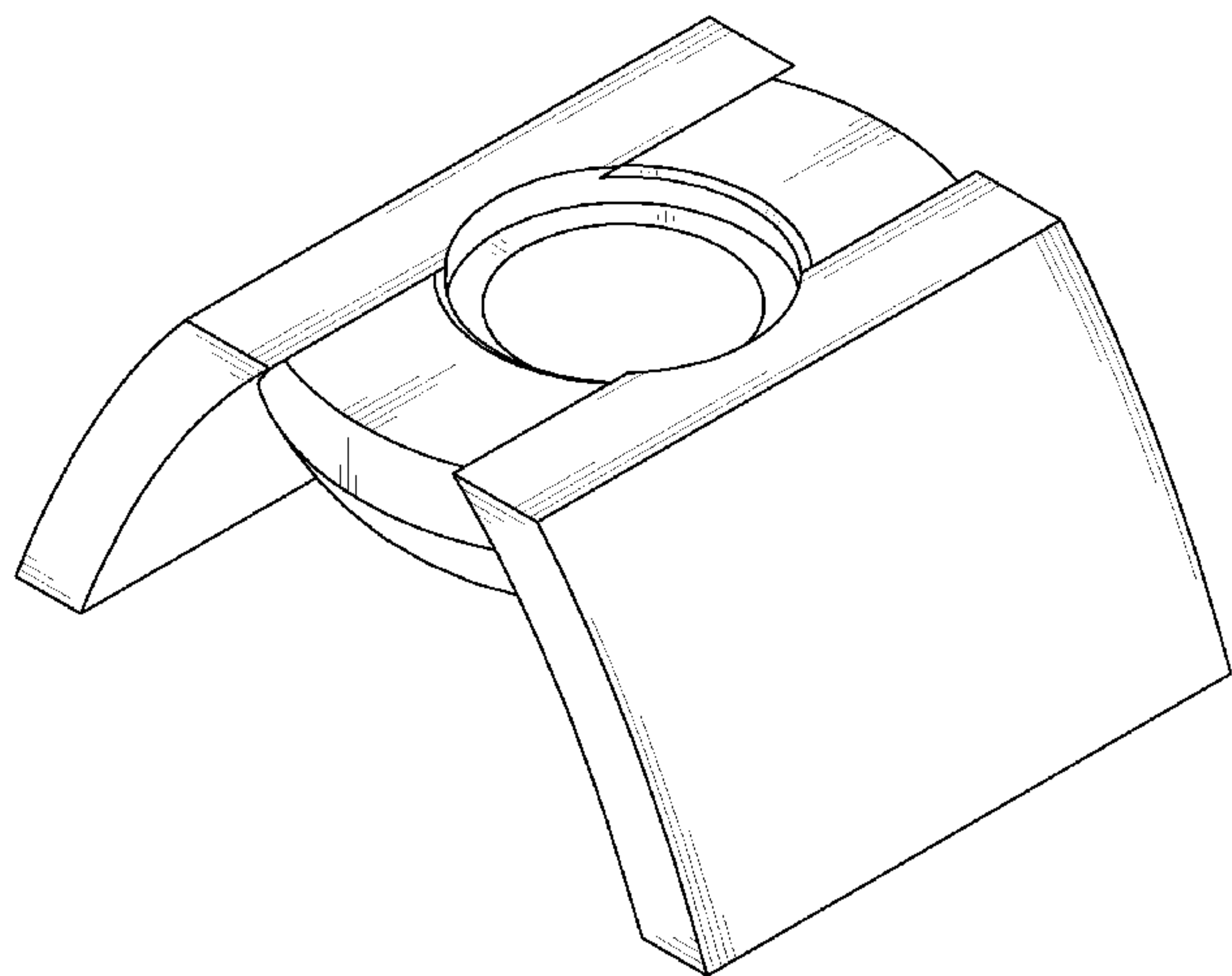
FIG. 3 is a left-side, elevational view thereof, the right-side, elevational view being a mirror image of FIG. 3.

FIG. 4 is a top plan view thereof.

FIG. 5 is a bottom plan view thereof; and,

FIG. 6 is a cross-sectional view thereof, taken along line VI—VI of FIG. 4.

1 Claim, 6 Drawing Sheets



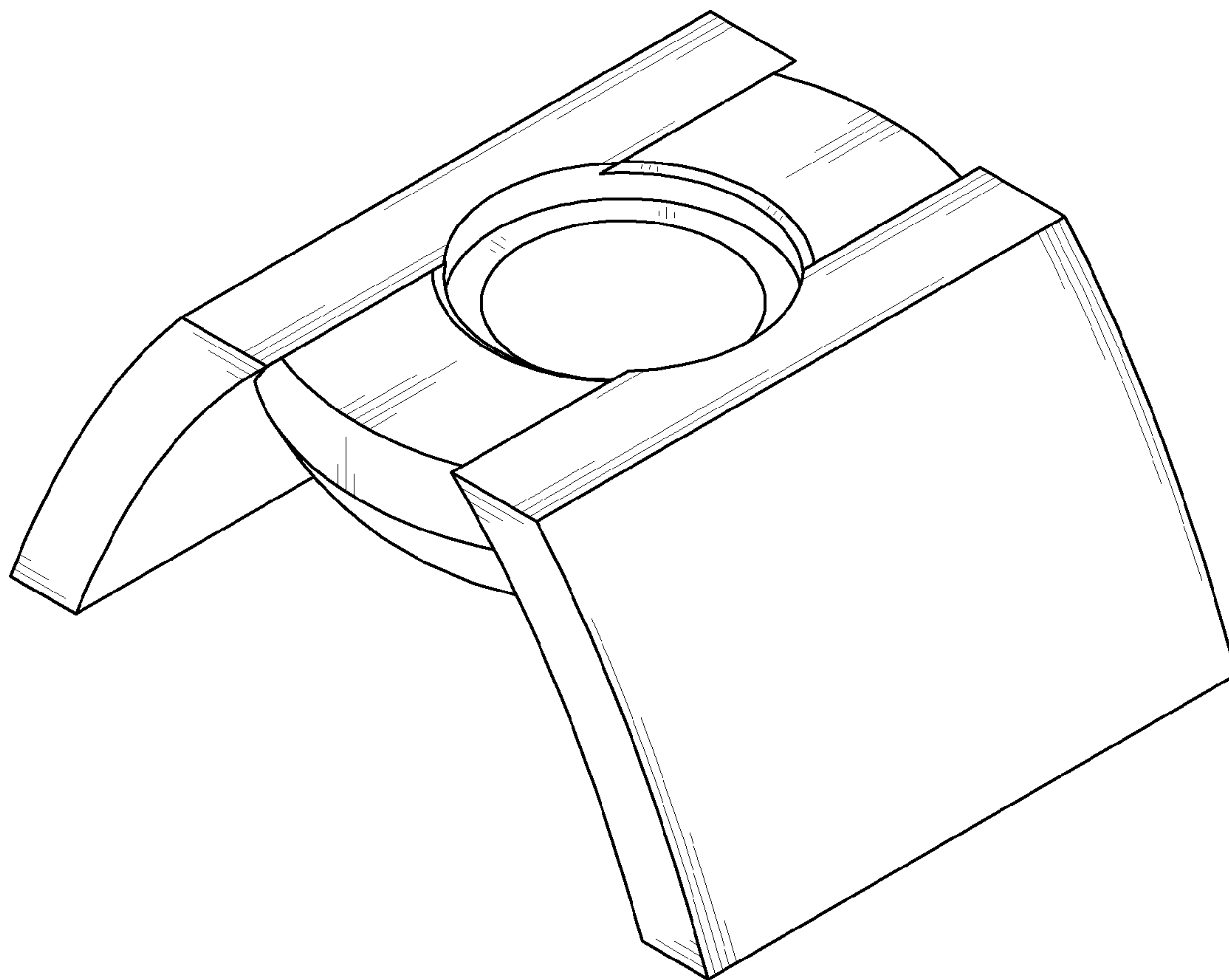


FIG. 1

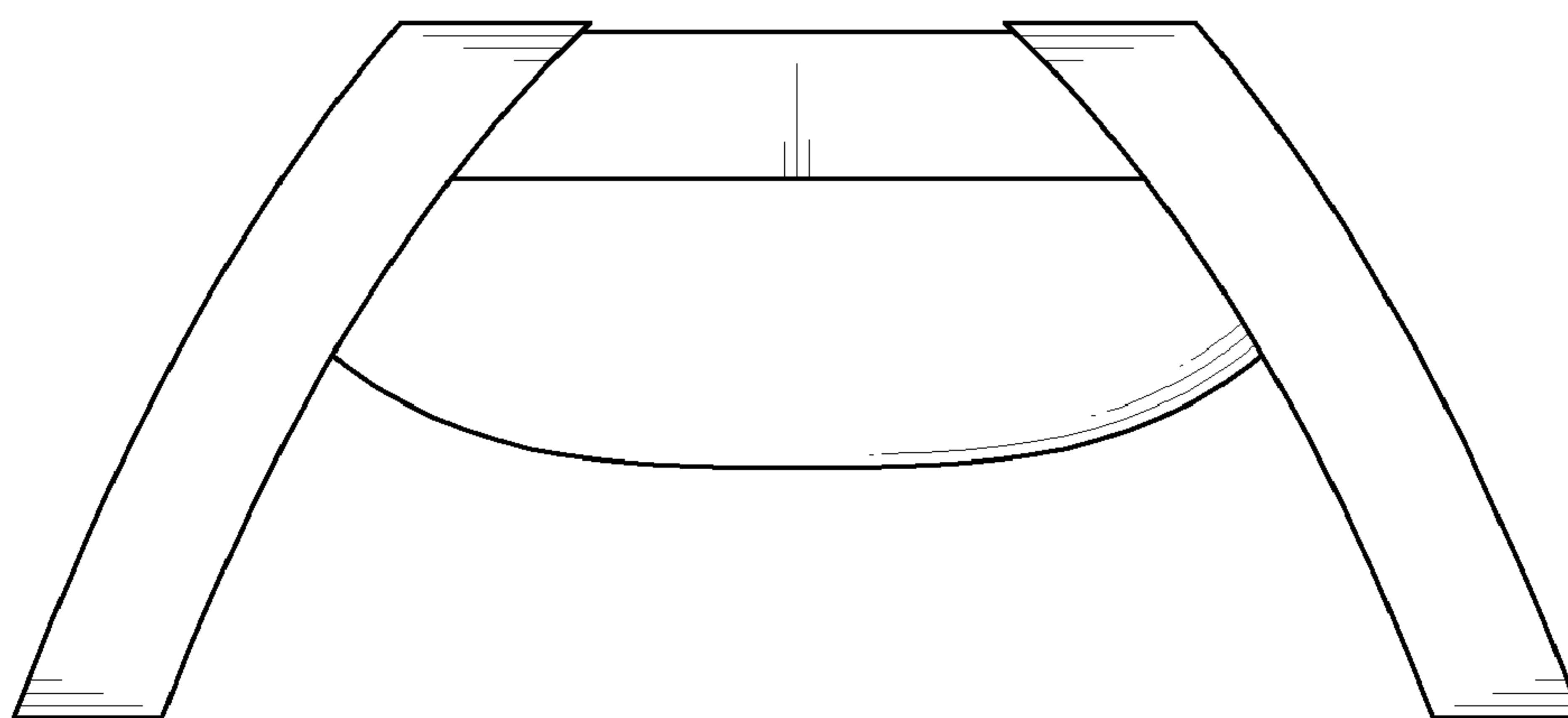


FIG. 2

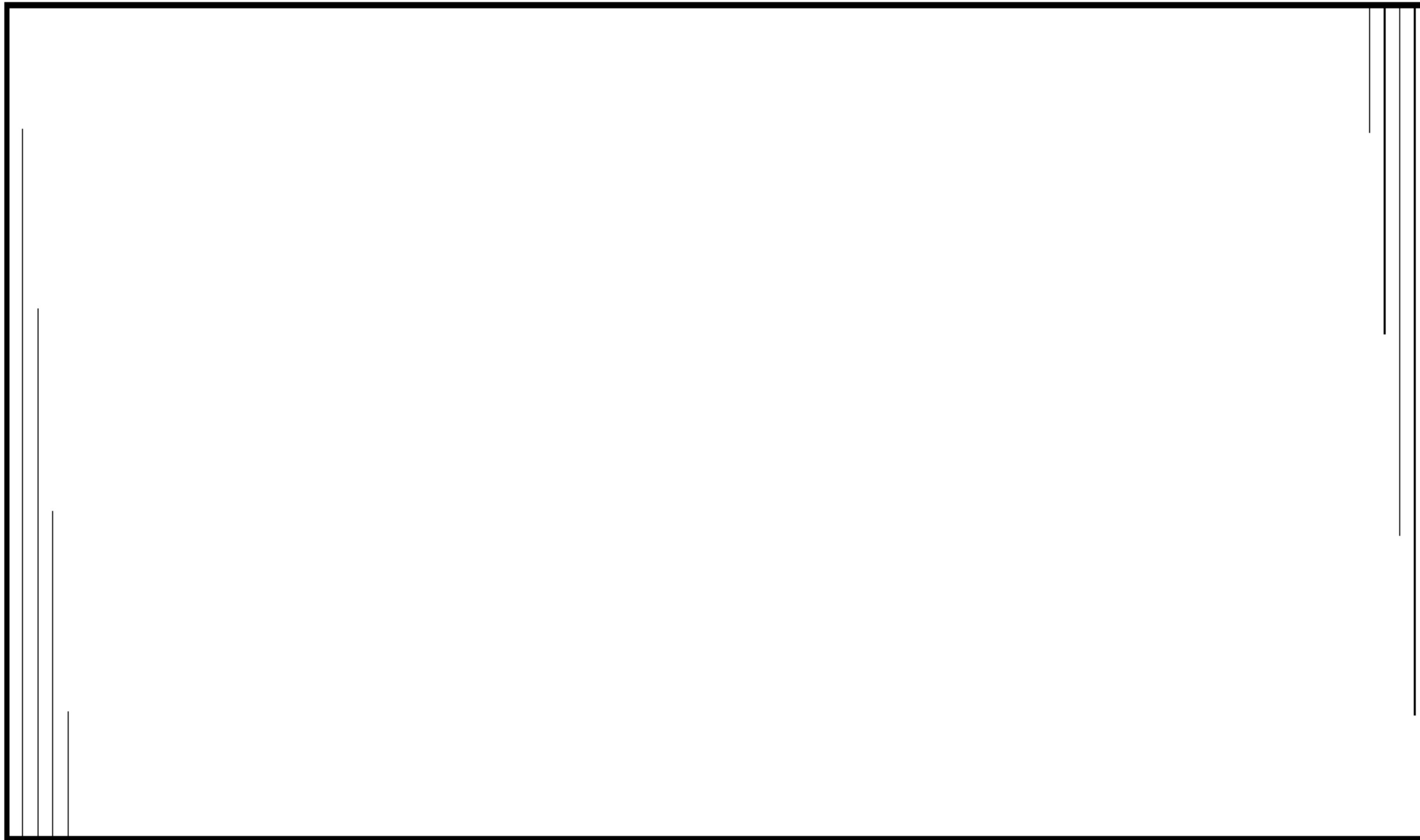


FIG. 3

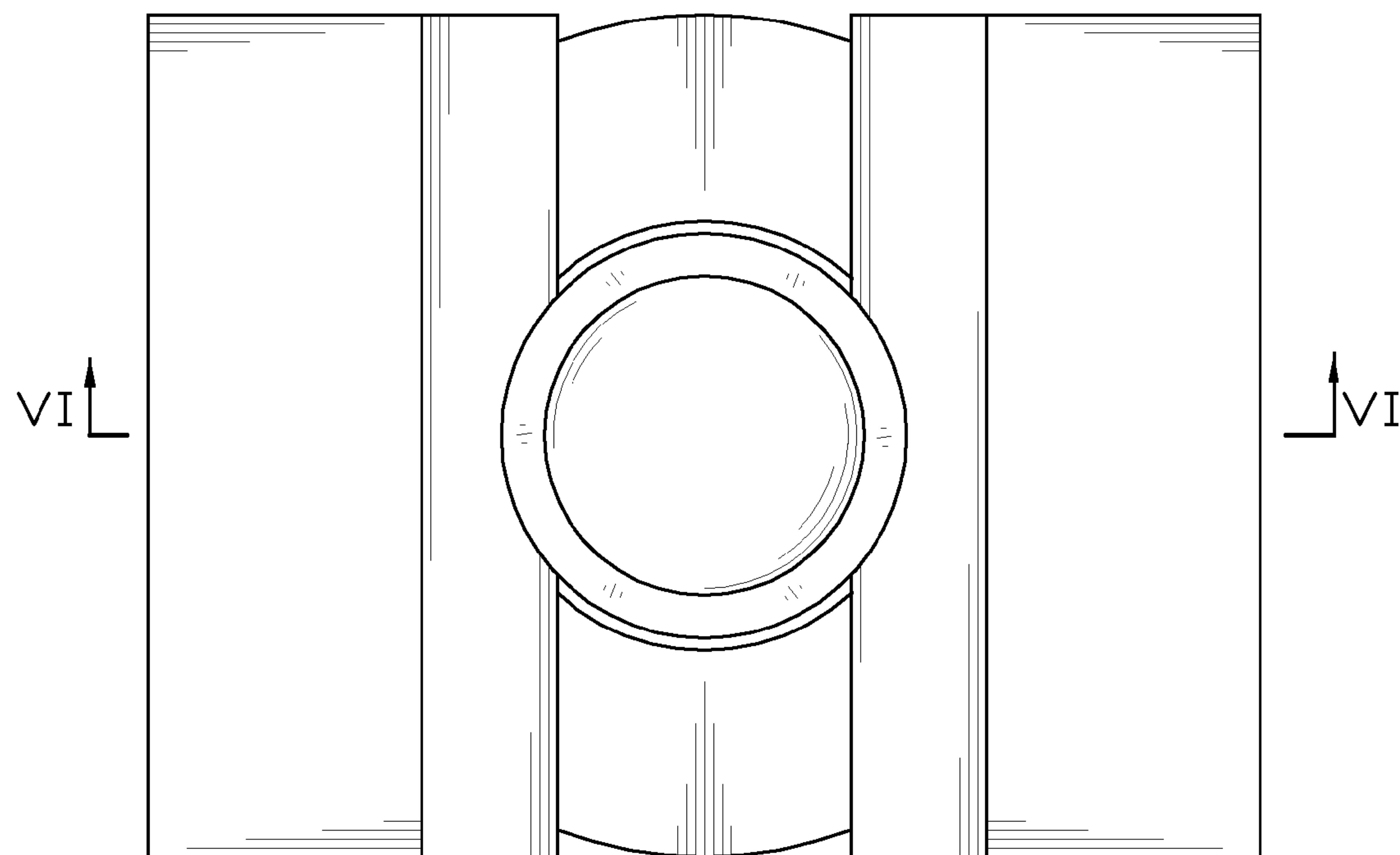


FIG. 4

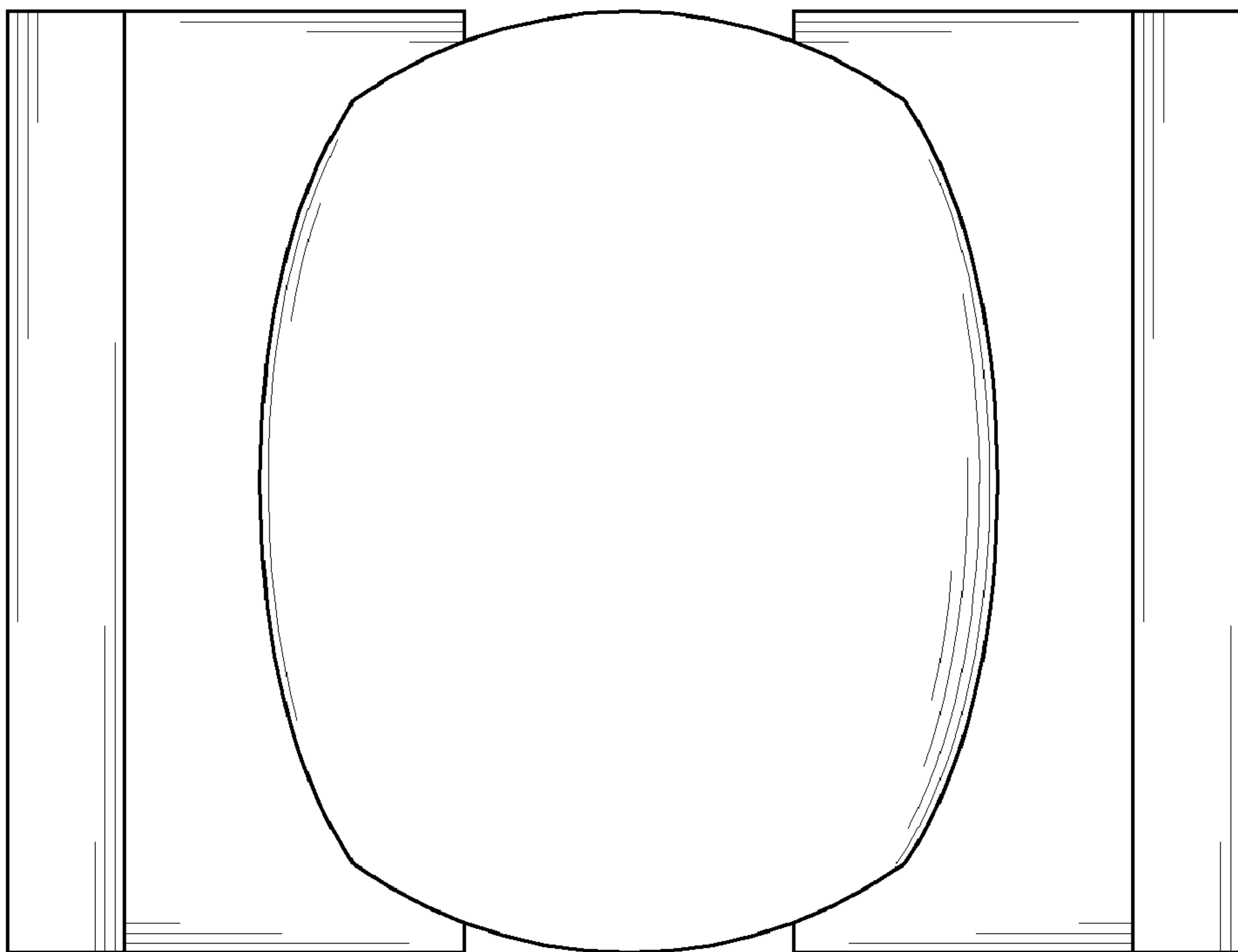


FIG. 5

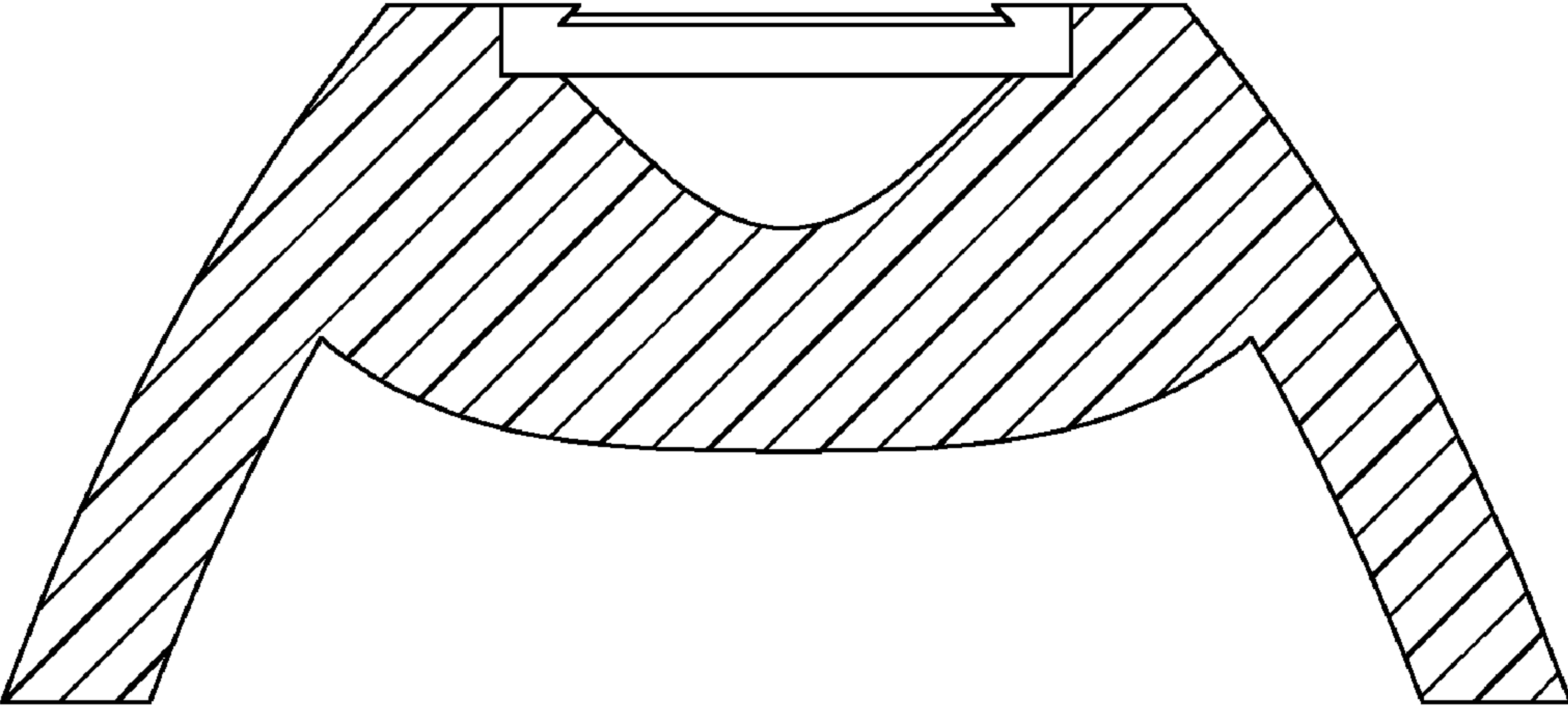


FIG. 6