

US00D650404S

(12) **United States Design Patent**
Kobayashi et al.

(10) **Patent No.:** **US D650,404 S**
(45) **Date of Patent:** **** Dec. 13, 2011**

(54) **ROBOT HAND**

(75) Inventors: **Shoichi Kobayashi**, Osaka (JP); **Mizuho Sakakibara**, Osaka (JP)

(73) Assignee: **Panasonic Corporation**, Osaka (JP)

(**) Term: **14 Years**

(21) Appl. No.: **29/358,415**

(22) Filed: **Mar. 26, 2010**

(30) **Foreign Application Priority Data**

Oct. 14, 2009 (JP) 2009-023980

(51) **LOC (9) Cl.** **15-99**

(52) **U.S. Cl.** **D15/199**

(58) **Field of Classification Search** D15/199;
D21/578, 593, 594, 621; 74/490.01, 490.02,
74/490.03, 490.05; 219/124.34, 639; 222/129,
222/129.3; 318/560, 568.12, 568.2; 446/268-274,
446/279, 280, 289-292, 298, 300, 353, 354,
446/376, 378-384; 700/99, 150, 264, 281
See application file for complete search history.

(56) **References Cited**

U.S. PATENT DOCUMENTS

2,682,806 A * 7/1954 Gordenier 359/817
D236,028 S * 7/1975 Schroeder D16/135
D296,347 S * 6/1988 Kanoh D21/578
5,091,832 A * 2/1992 Tortola et al. 362/109
5,325,280 A * 6/1994 Tortola et al. 362/234
D416,927 S * 11/1999 Jim D16/135
6,139,245 A * 10/2000 Hofmeister 414/416.03

D470,161 S * 2/2003 Lee D16/135
D543,470 S * 5/2007 Bhavnani D10/2
D572,739 S * 7/2008 Jennings et al. D15/199
D616,909 S * 6/2010 Long D15/199
D622,747 S * 8/2010 Kobayashi et al. D15/199
D625,748 S * 10/2010 Yoshino D15/199
D627,376 S * 11/2010 Mizutani et al. D15/199
D636,419 S * 4/2011 Nakagiri et al. D15/199
D645,488 S * 9/2011 Miyake et al. D15/199
2005/0217053 A1 * 10/2005 Kim et al. 15/250.21
2011/0120255 A1 * 5/2011 Chen et al. 74/490.06
2011/0154938 A1 * 6/2011 Liu et al. 74/490.05

* cited by examiner

Primary Examiner — Patricia Palasik

(74) *Attorney, Agent, or Firm* — Brinks Hofer Gilson & Lione

(57) **CLAIM**

We claim The ornamental design for a robot hand, as shown and described.

DESCRIPTION

FIG. 1 is a front perspective view of a robot hand of the present invention;
FIG. 2 is a front view thereof;
FIG. 3 is a rear view thereof;
FIG. 4 is a first side view thereof;
FIG. 5 is a second side view thereof;
FIG. 6 is a top view thereof; and,
FIG. 7 is a bottom view thereof.

The broken line showing of robot hand is included for the purpose of illustrating environment and forms no part of the claimed design.

1 Claim, 7 Drawing Sheets

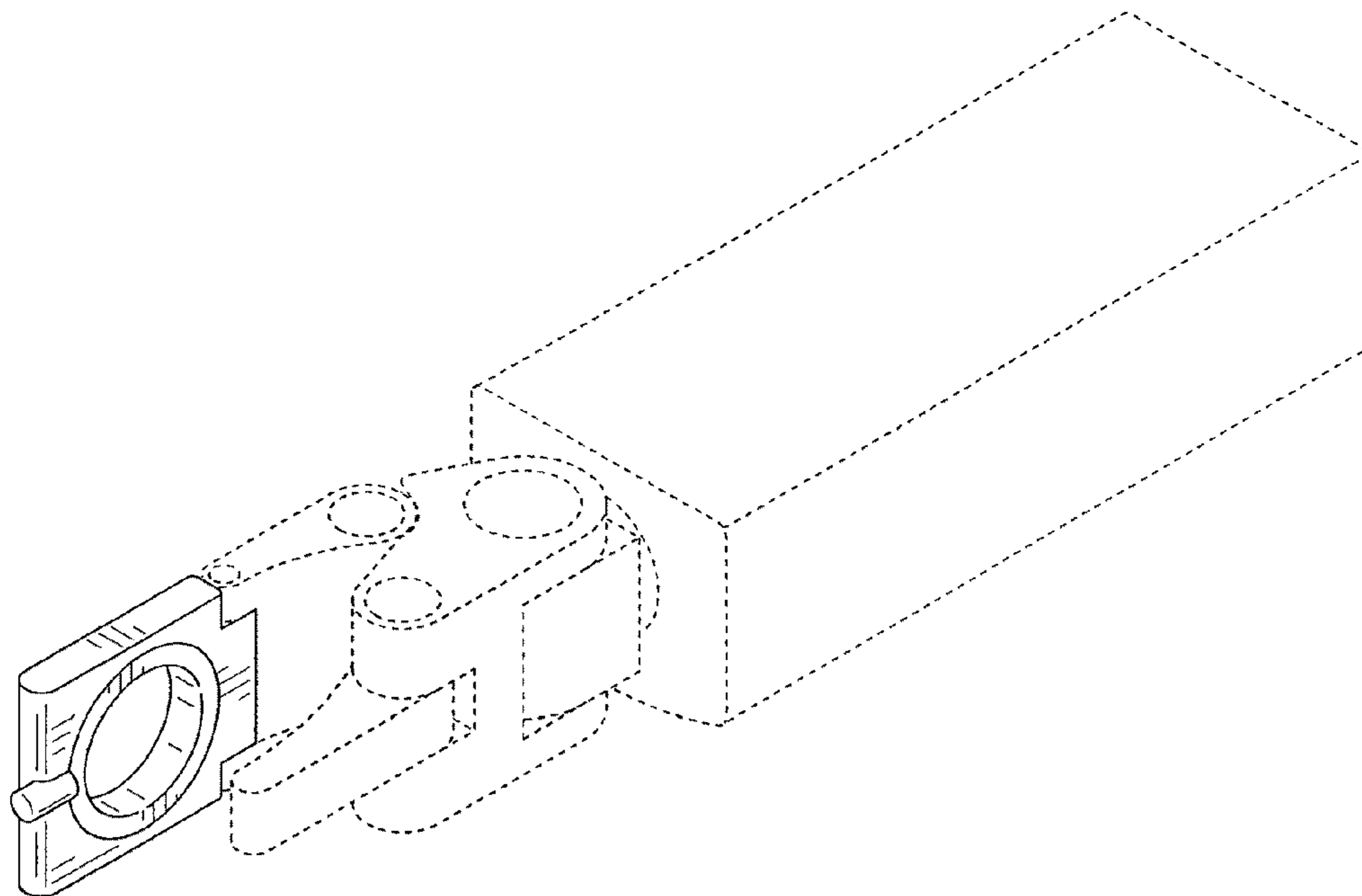


FIG.1

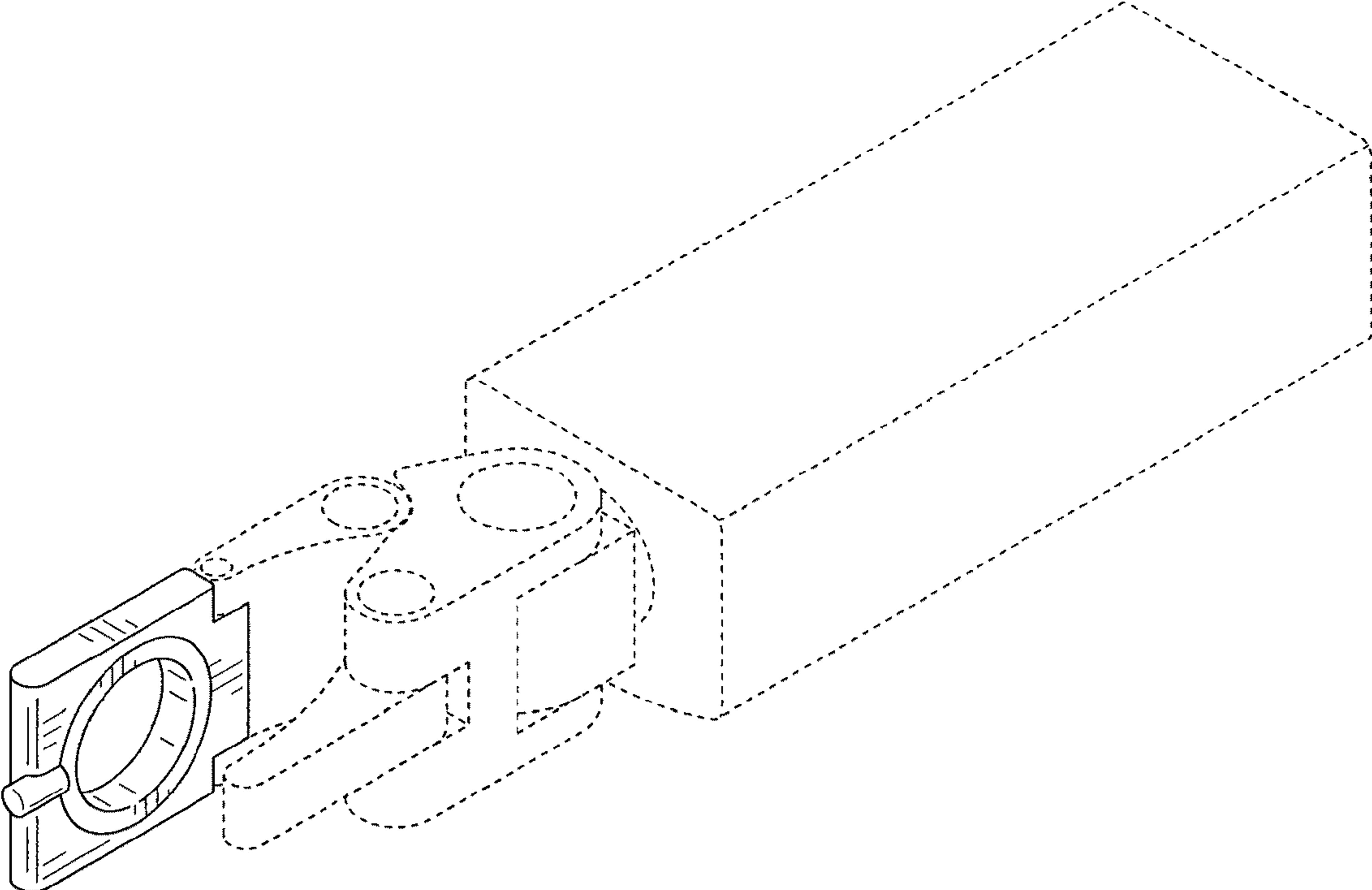
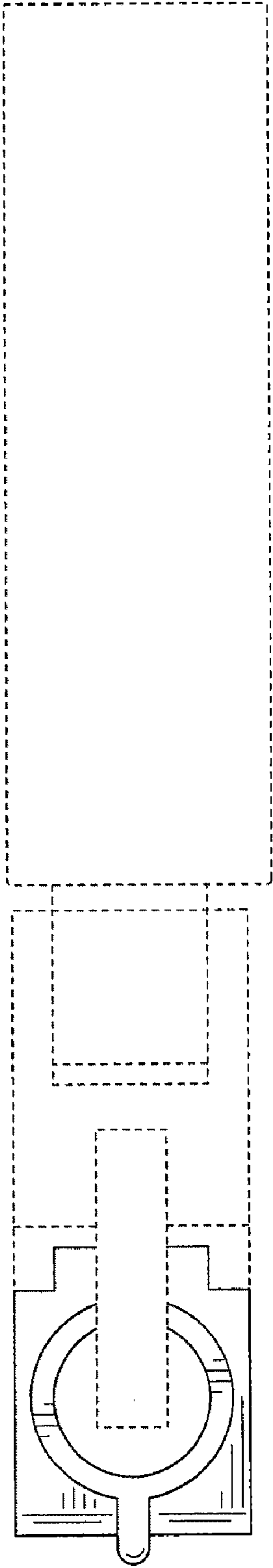


FIG. 2



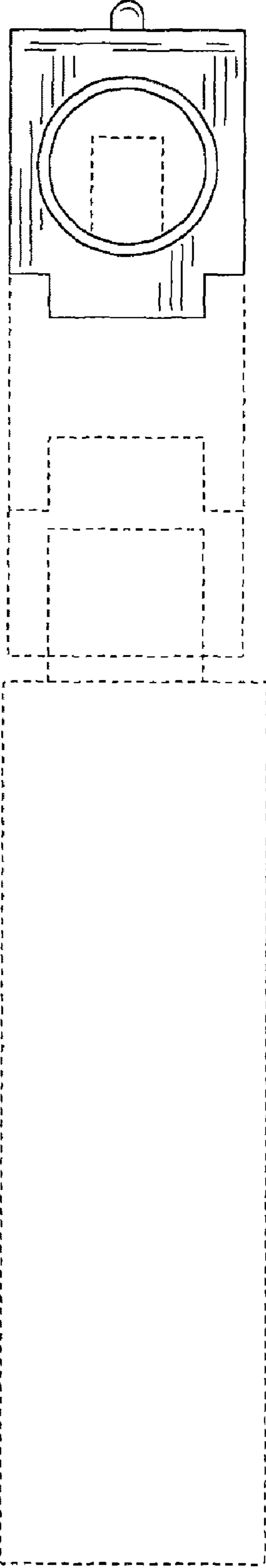


FIG.3

FIG. 4

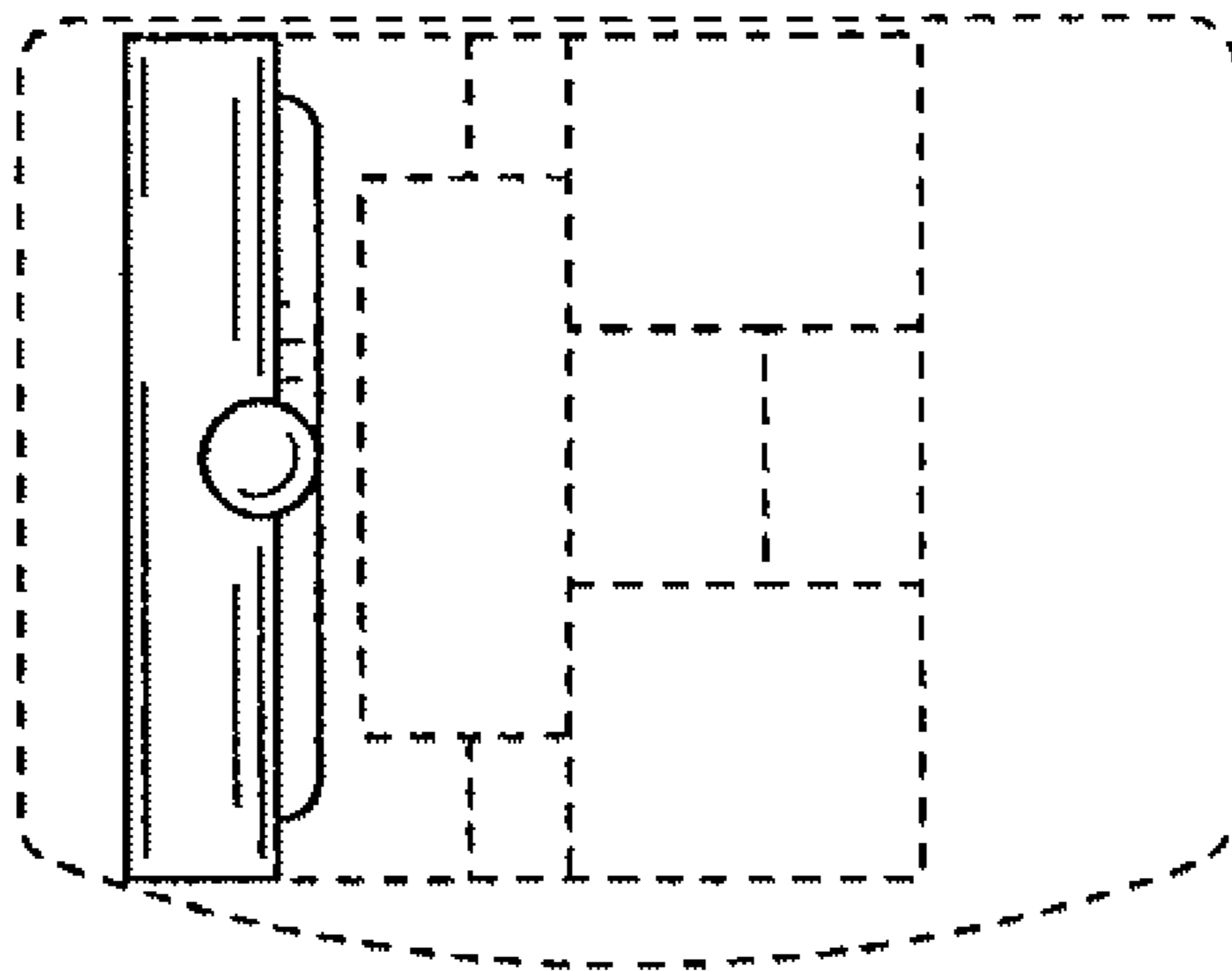


FIG. 5

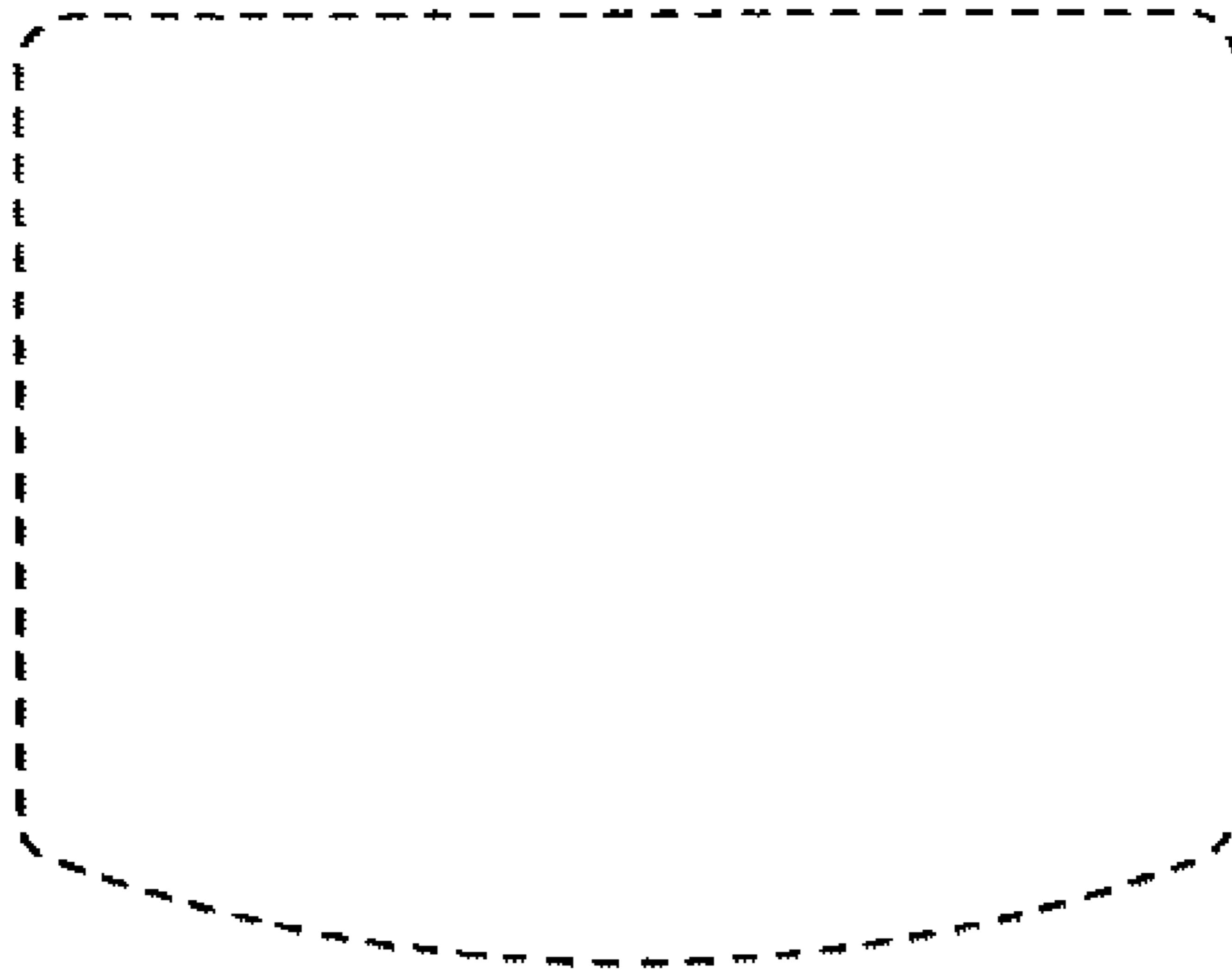


FIG.6

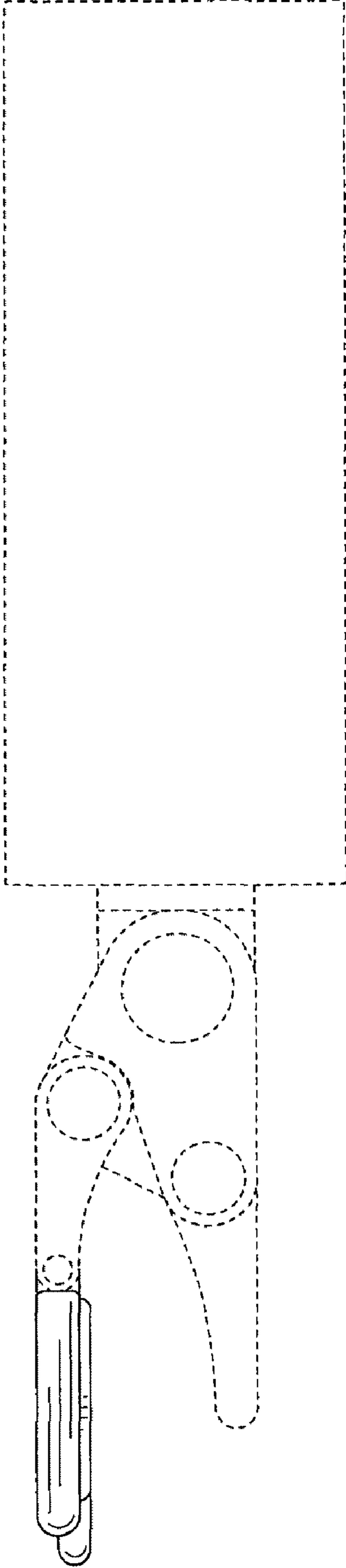


FIG. 7

