



US00D650403S

(12) **United States Design Patent**
Yamase et al.

(10) **Patent No.:** **US D650,403 S**

(45) **Date of Patent:** **** Dec. 13, 2011**

(54) **LUBRICATOR**

(75) Inventors: **Norihide Yamase**, Tsukubamirai (JP);
Daisuke Oikawa, Tsukubamirai (JP)

(73) Assignee: **SMC Corporation**, Chiyoda-ku, Tokyo
(JP)

(**) Term: **14 Years**

(21) Appl. No.: **29/397,585**

(22) Filed: **Jul. 19, 2011**

(30) **Foreign Application Priority Data**

Apr. 6, 2011 (JP) 2011-007973

(51) **LOC (9) Cl.** **15-09**

(52) **U.S. Cl.** **D15/150**

(58) **Field of Classification Search** D15/7,
D15/150, 150.1, 150.2; D23/200, 207, 209,
D23/233-237, 243-247; 55/219, 274, 275;
137/195, 237, 416, 418; 184/26, 55.1, 55.2,
184/55 A, 103.1; 210/313; 220/3, 82 R,
220/461; 251/65; 357/453

See application file for complete search history.

(56) **References Cited**

U.S. PATENT DOCUMENTS

3,559,764 A * 2/1971 Wheeler, Jr. 184/55.2
3,926,280 A * 12/1975 Hoffman 184/55.2
4,234,014 A * 11/1980 Knight 137/557
4,295,545 A * 10/1981 Hiei 184/55.2
D293,461 S * 12/1987 Chang D23/207
4,733,753 A * 3/1988 Miyake 184/55.1
4,735,288 A * 4/1988 Uematsu et al. 184/55.1

4,807,721 A * 2/1989 Fujiwara 184/55.2
D307,913 S * 5/1990 Ogasawara et al. D15/150
D308,571 S * 6/1990 Albertini et al. D23/365
D317,315 S * 6/1991 Miyake et al. D15/150
D317,644 S * 6/1991 Ito et al. D23/235
D322,444 S * 12/1991 Shea D15/150
D400,211 S * 10/1998 Thallemer et al. D15/7
D510,371 S * 10/2005 Tigerholm D15/150
D510,587 S * 10/2005 Tigerholm D15/150
D511,536 S * 11/2005 Tigerholm D15/150
2004/0099483 A1 * 5/2004 Song 184/105.1

* cited by examiner

Primary Examiner — Patricia Palasik

(74) *Attorney, Agent, or Firm* — Yokoi & Co., U.S.A., Inc.;
Toshiyuki Yokoi

(57) **CLAIM**

The ornamental design for a lubricator, as shown and described.

DESCRIPTION

FIG. 1 shows a front view of a lubricator showing my new design;

FIG. 2 shows a rear view thereof;

FIG. 3 shows a right side view thereof;

FIG. 4 shows a left side view thereof;

FIG. 5 shows a top view thereof;

FIG. 6 shows a bottom view thereof;

FIG. 7 shows a top, front and left side perspective view thereof; and,

FIG. 8 shows a bottom, back and right side perspective view thereof.

The broken lines in the drawings depict unclaimed environmental subject matter.

1 Claim, 7 Drawing Sheets

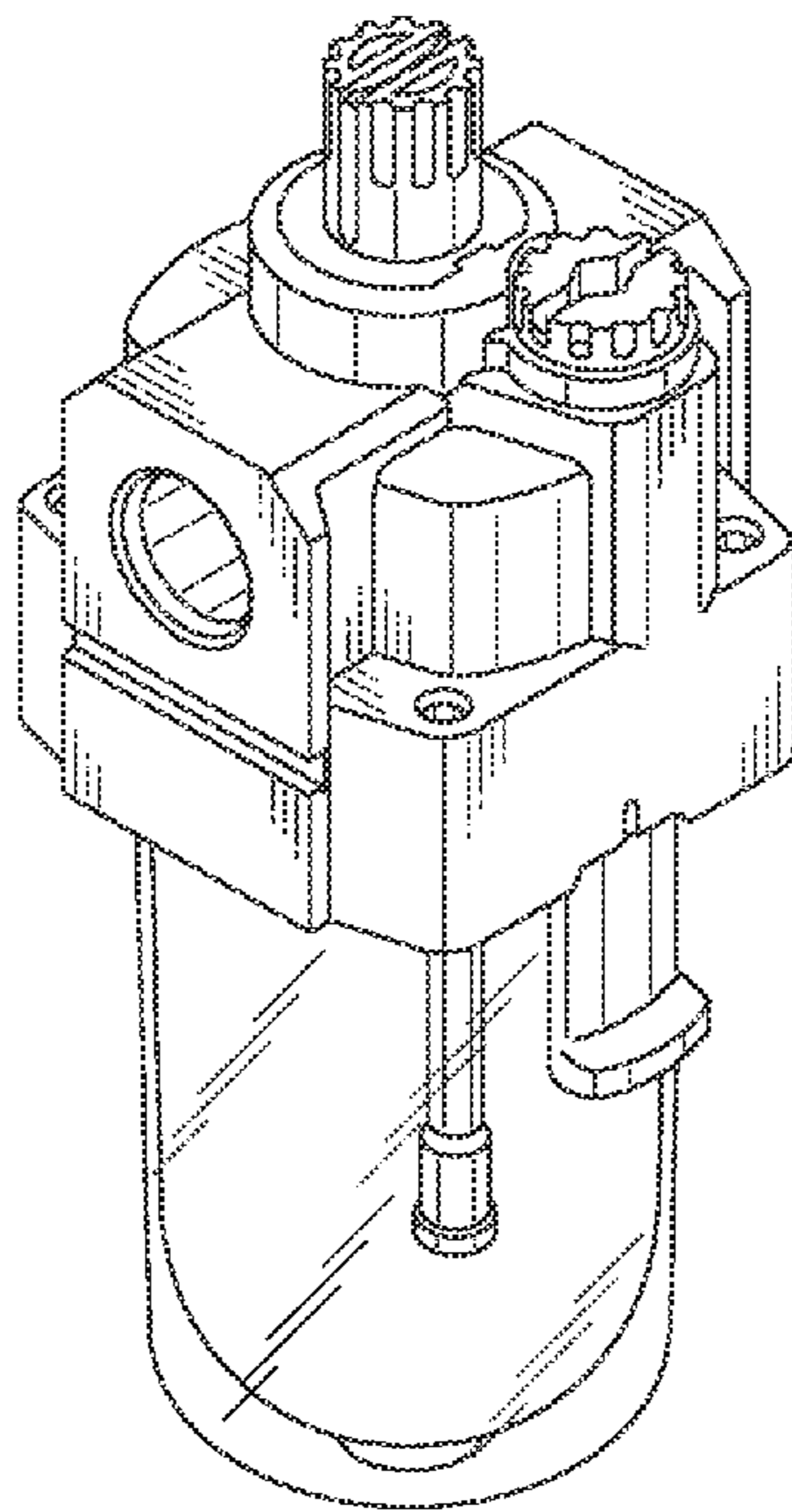


FIG. 1

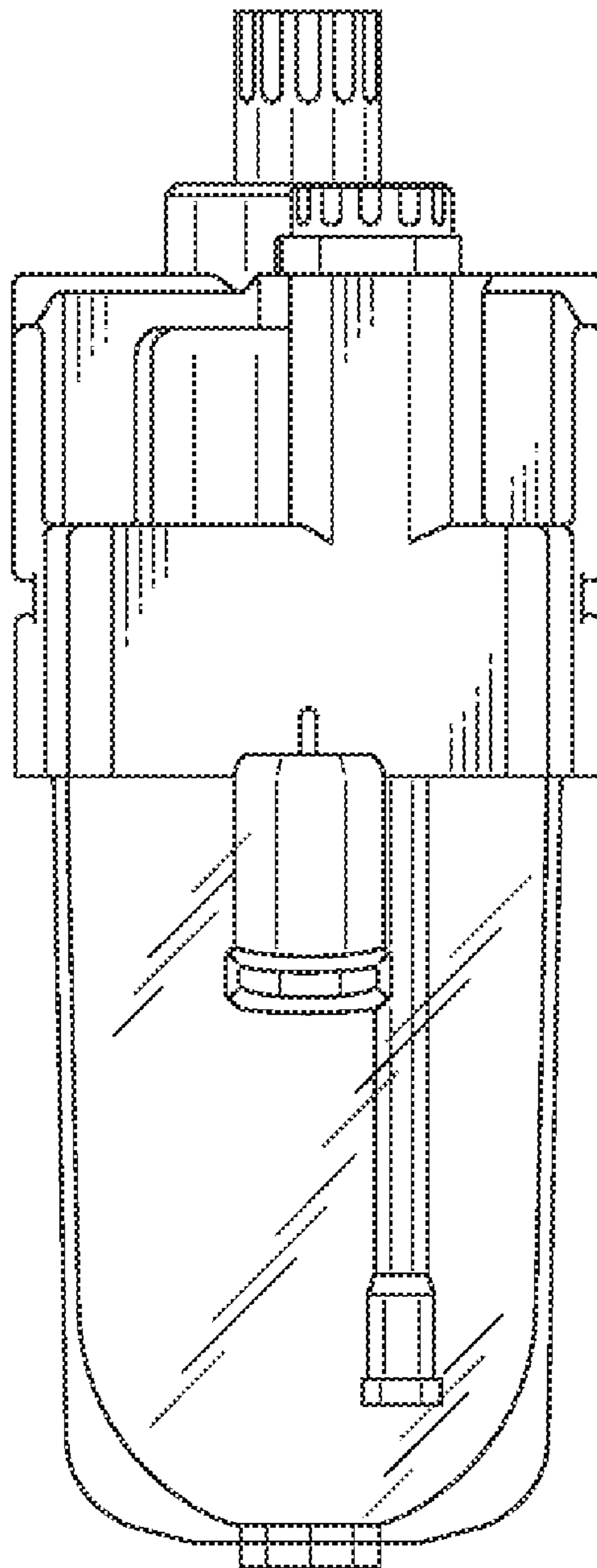


FIG. 2

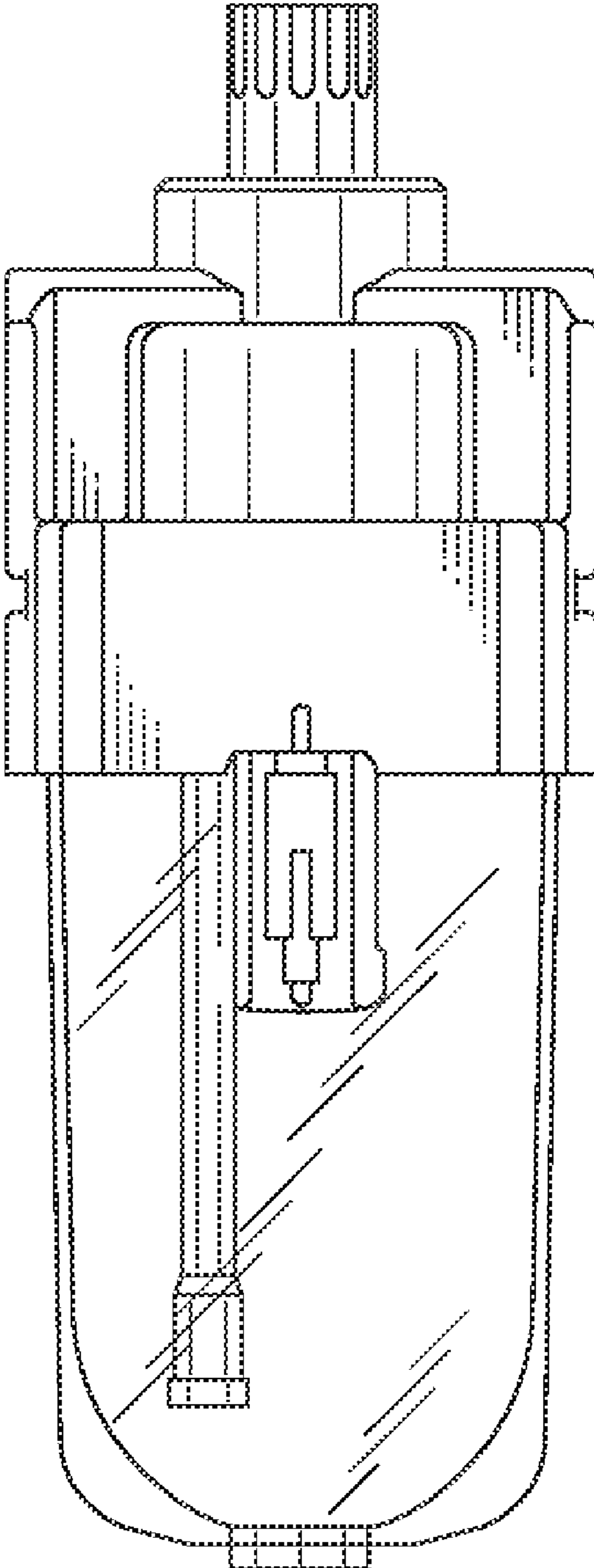


FIG. 3

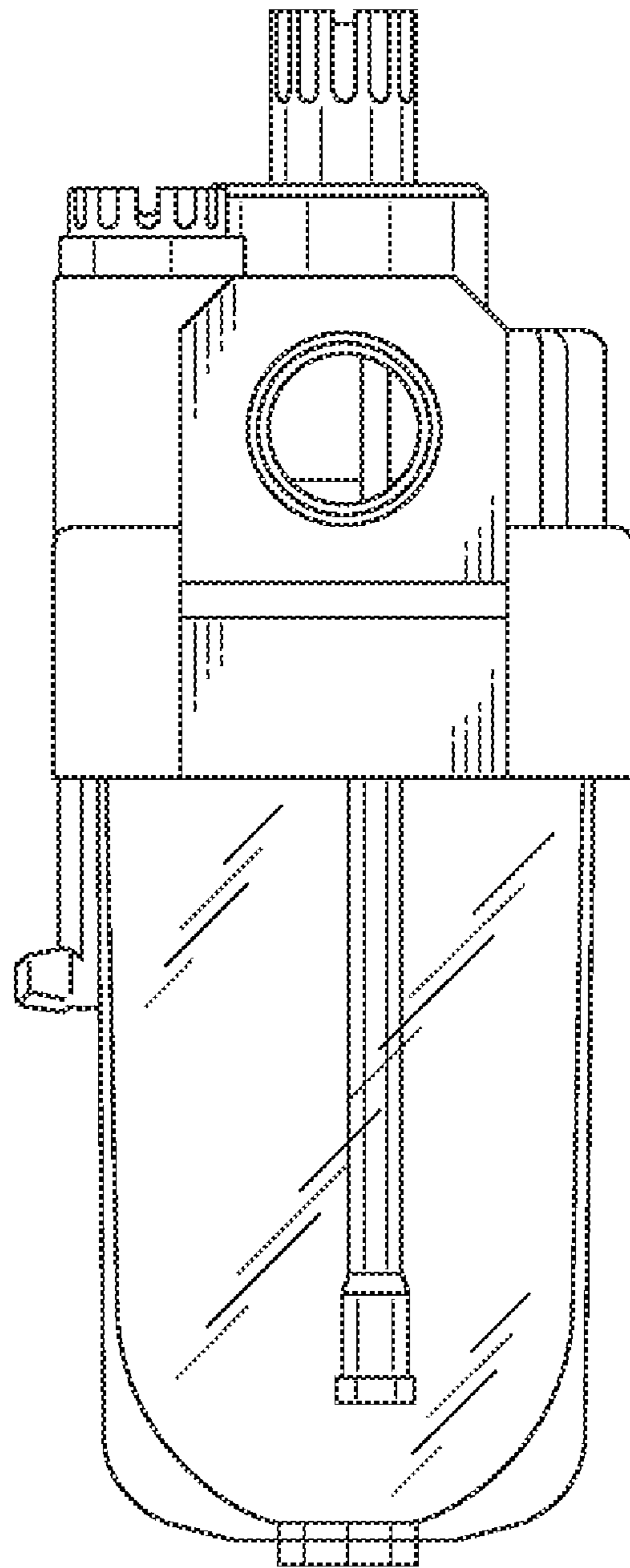


FIG. 4

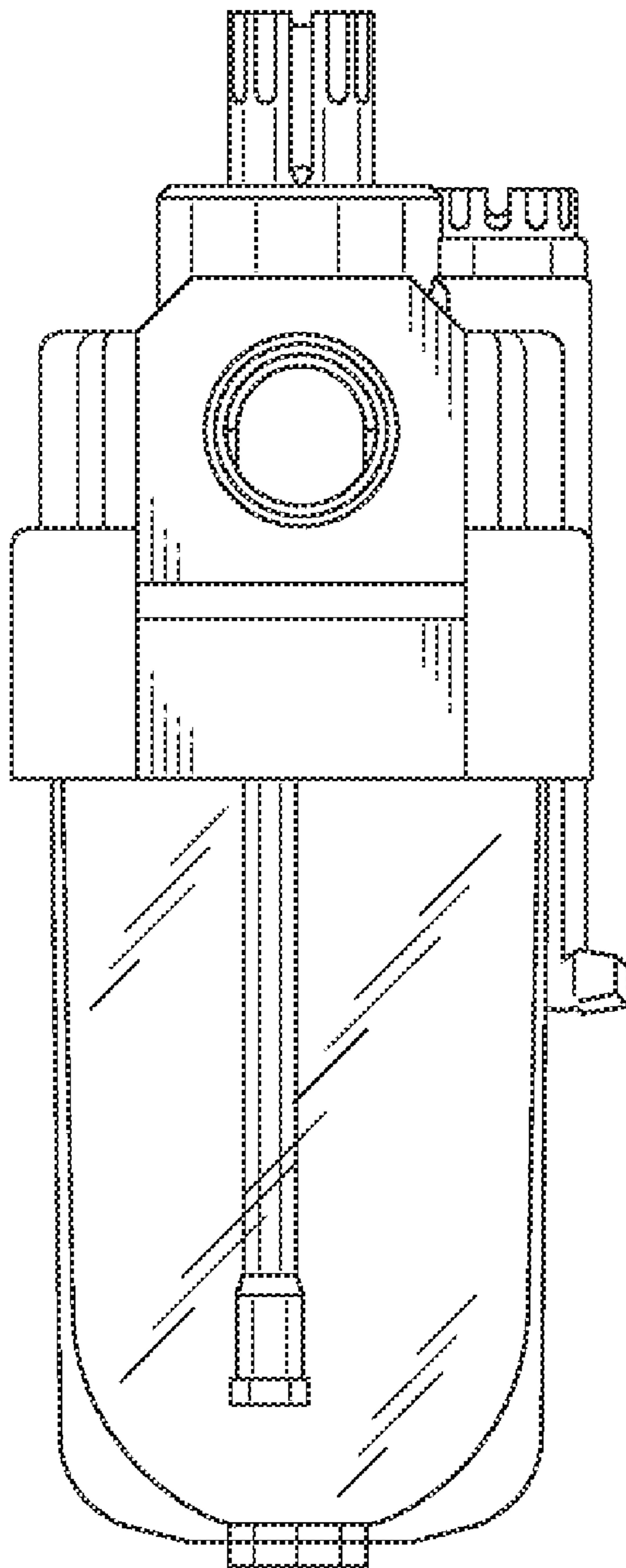


FIG. 5

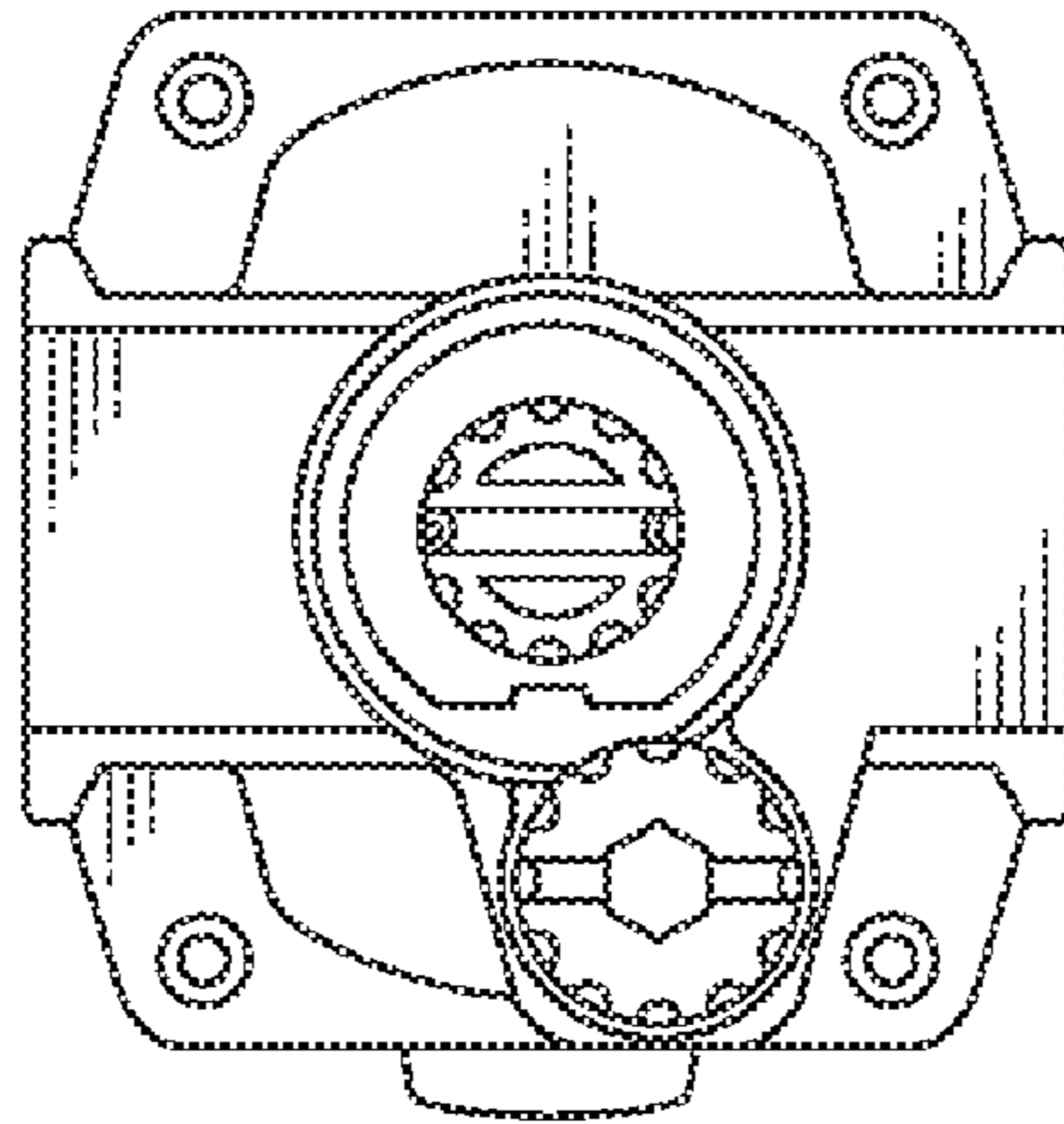


FIG. 6

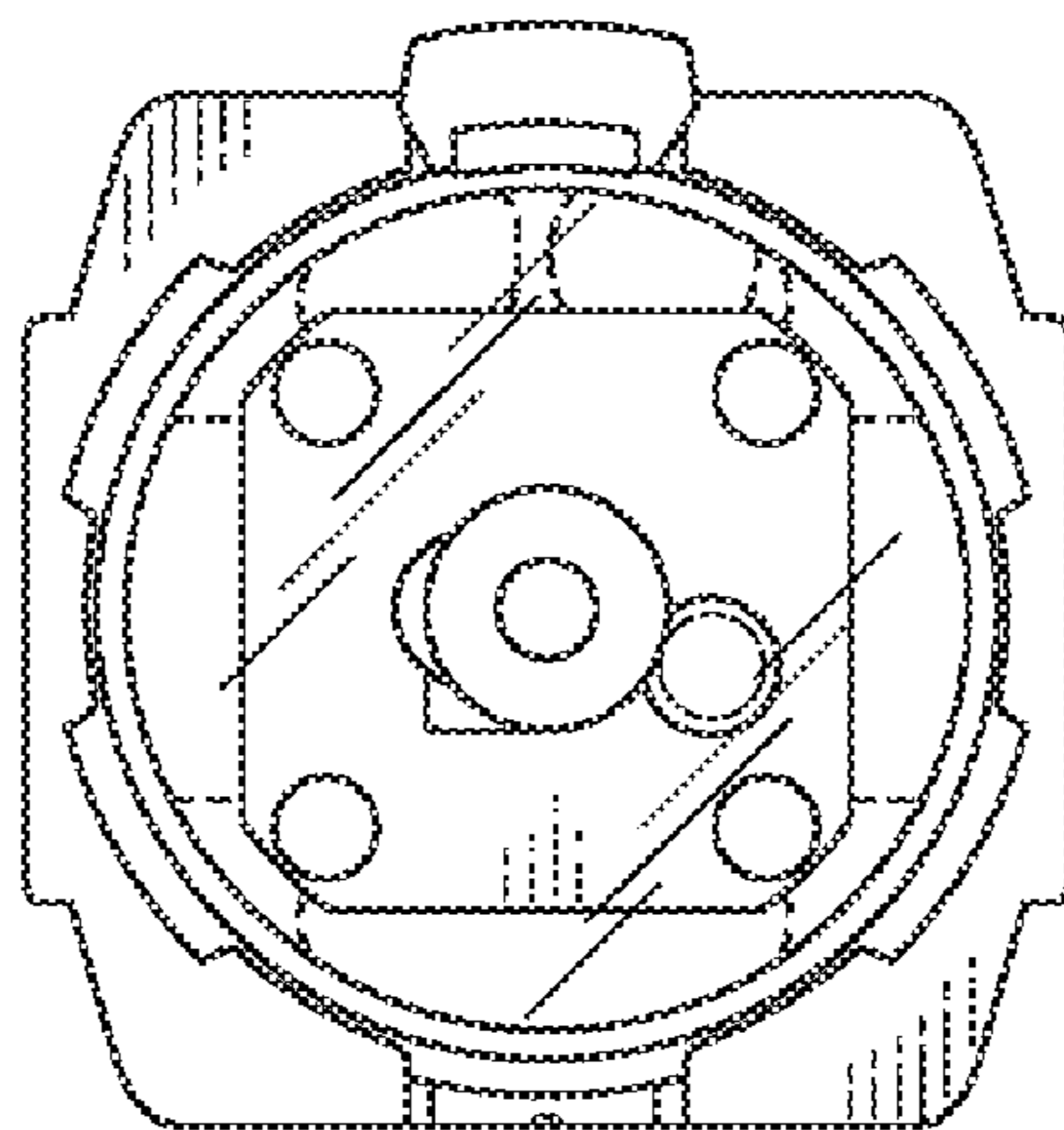


FIG. 7

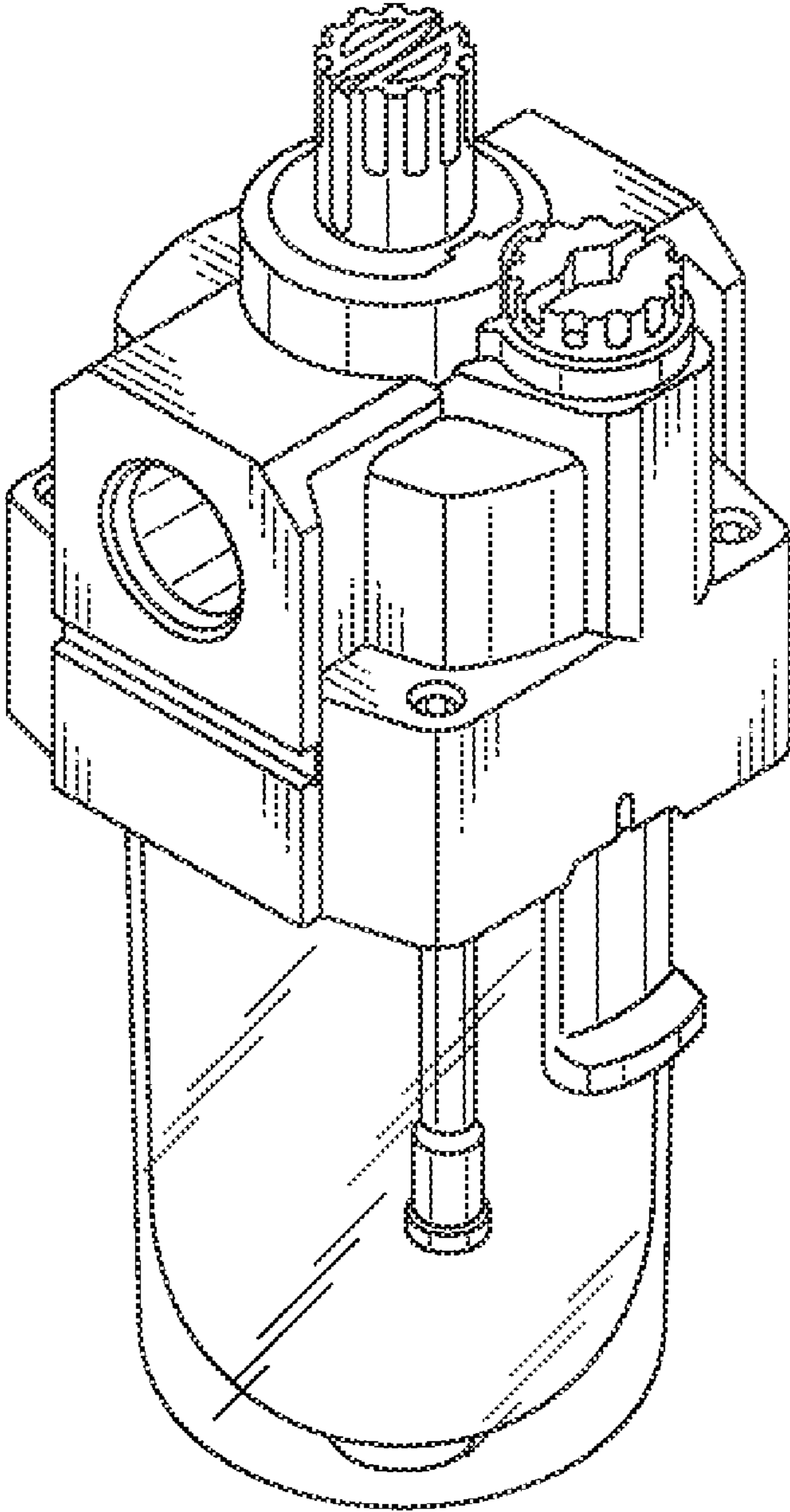


FIG. 8

