



US00D650402S

(12) **United States Design Patent**  
**Yamase et al.**

(10) **Patent No.:** **US D650,402 S**

(45) **Date of Patent:** **\*\* Dec. 13, 2011**

(54) **LUBRICATOR**

(75) Inventors: **Norihide Yamase**, Tsukubamirai (JP);  
**Daisuke Oikawa**, Tsukubamirai (JP)

(73) Assignee: **SMC Corporation**, Chiyoda-ku, Tokyo  
(JP)

(\*\*) Term: **14 Years**

(21) Appl. No.: **29/397,584**

(22) Filed: **Jul. 19, 2011**

(30) **Foreign Application Priority Data**

Apr. 6, 2011 (JP) ..... 2011-007969

(51) **LOC (9) Cl.** ..... **15-09**

(52) **U.S. Cl.** ..... **D15/150**

(58) **Field of Classification Search** ..... D15/7,  
D15/150, 150.1, 150.2; D23/200, 207, 209,  
D23/233-237, 243-247; 55/219, 274, 275;  
137/195, 237, 416, 418; 184/26, 55.1, 55.2,  
184/55 A, 103.1; 210/313; 220/3, 82 R,  
220/461; 251/65; 357/453

See application file for complete search history.

(56) **References Cited**

**U.S. PATENT DOCUMENTS**

3,559,764	A *	2/1971	Wheeler, Jr.	184/55.2
3,926,280	A *	12/1975	Hoffman	184/55.2
4,234,014	A *	11/1980	Knight	137/557
4,295,545	A *	10/1981	Hiei	184/55.2
D293,461	S *	12/1987	Chang	D23/207
4,733,753	A *	3/1988	Miyake	184/55.1
4,735,288	A *	4/1988	Uematsu et al.	184/55.1

4,807,721	A *	2/1989	Fujiwara	184/55.2
D307,913	S *	5/1990	Ogasawara et al.	D15/150
D308,571	S *	6/1990	Albertini et al.	D23/365
D317,315	S *	6/1991	Miyake et al.	D15/150
D317,644	S *	6/1991	Ito et al.	D23/235
D322,444	S *	12/1991	Shea	D15/150
D400,211	S *	10/1998	Thallemer et al.	D15/7
D510,371	S *	10/2005	Tigerholm	D15/150
D510,587	S *	10/2005	Tigerholm	D15/150
D511,536	S *	11/2005	Tigerholm	D15/150
2004/0099483	A1 *	5/2004	Song	184/105.1

\* cited by examiner

*Primary Examiner* — Patricia Palasik

(74) *Attorney, Agent, or Firm* — Yokoi & Co., U.S.A., Inc.;  
Toshiyuki Yokoi

(57) **CLAIM**

The ornamental design for a lubricator, as shown and described.

**DESCRIPTION**

FIG. 1 shows a front view of a lubricator showing my new design;

FIG. 2 shows a rear view thereof;

FIG. 3 shows a right side view thereof;

FIG. 4 shows a left side view thereof;

FIG. 5 shows a top view thereof;

FIG. 6 shows a bottom view thereof;

FIG. 7 shows a top, front and left side perspective view thereof; and,

FIG. 8 shows a bottom, back and right side perspective view thereof.

The broken lines in the drawings depict unclaimed environmental subject matter.

**1 Claim, 7 Drawing Sheets**

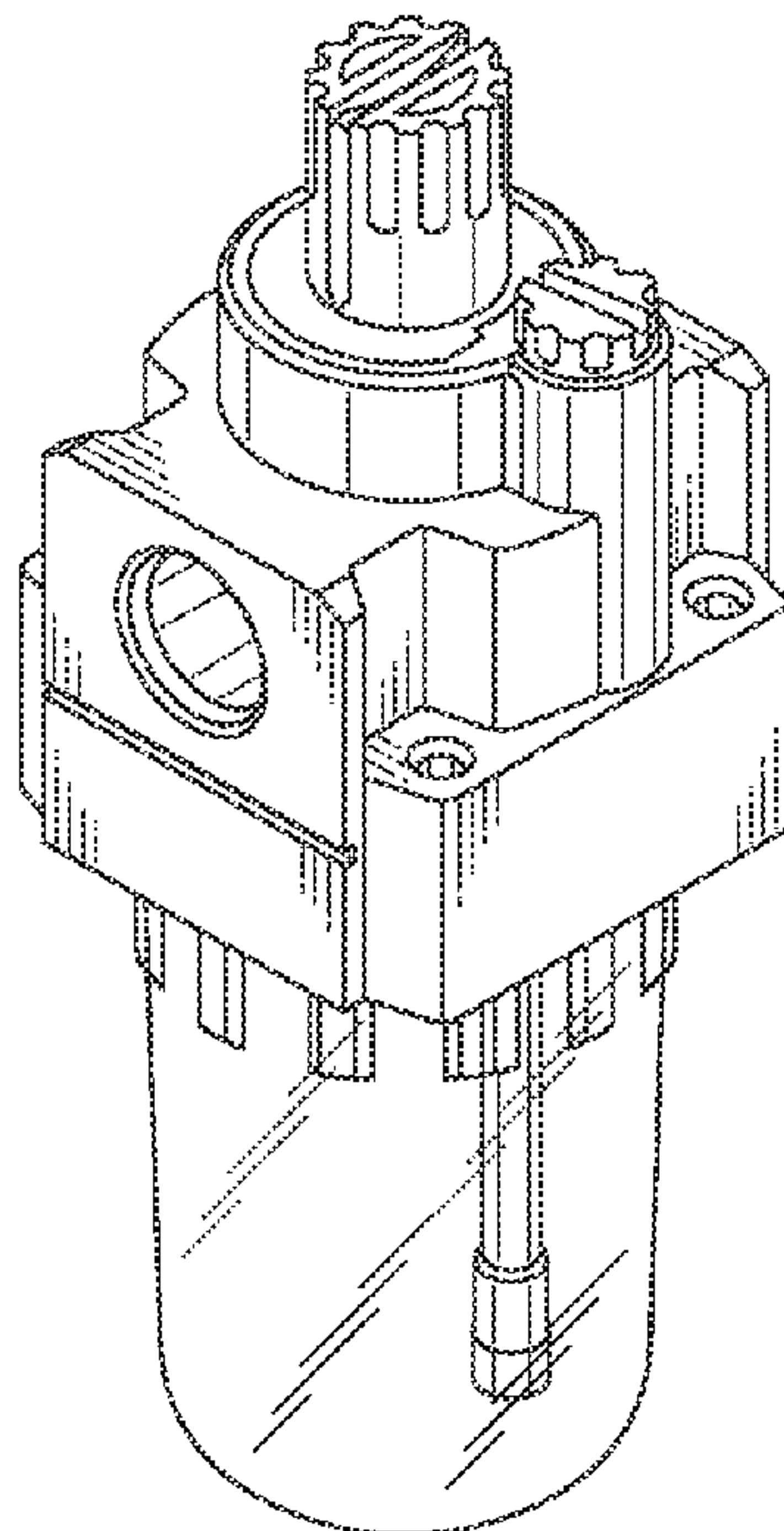


FIG. 1

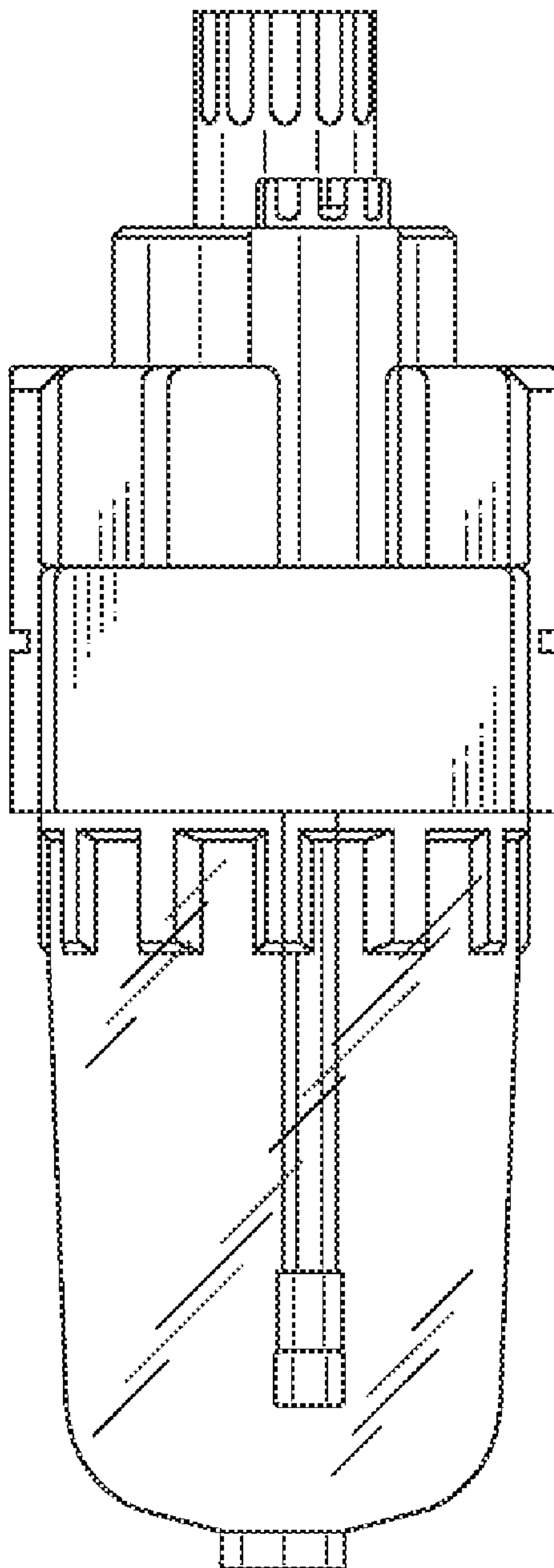


FIG. 2

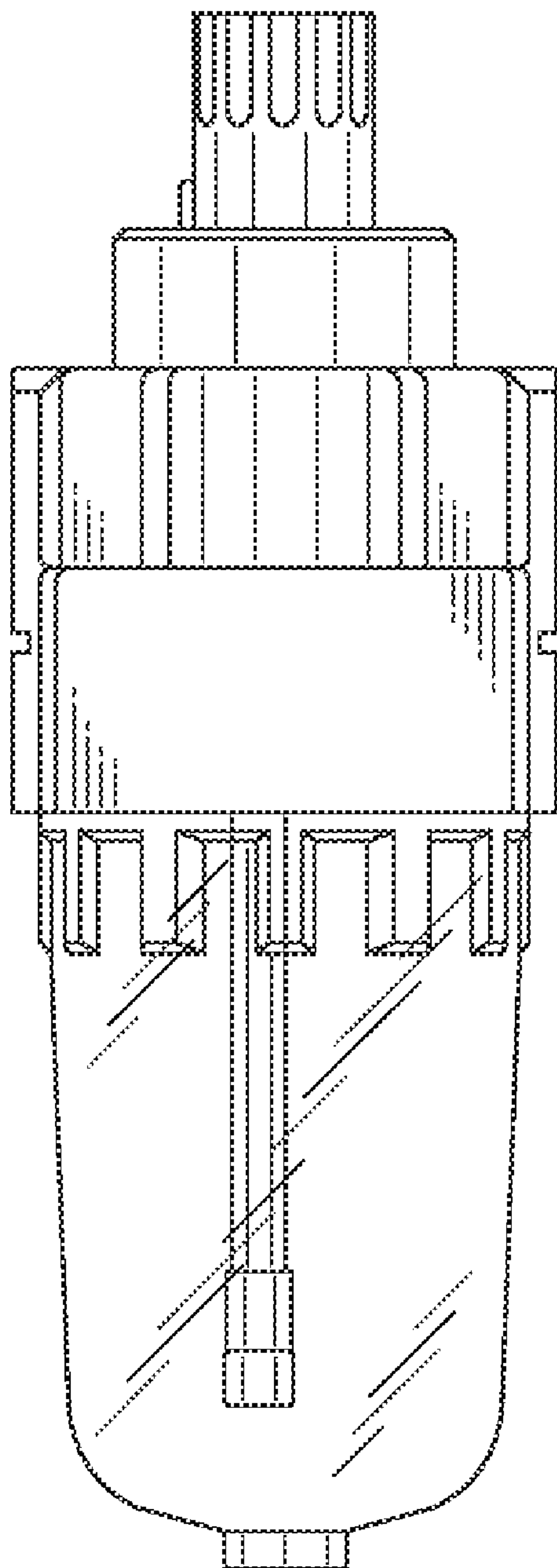


FIG. 3

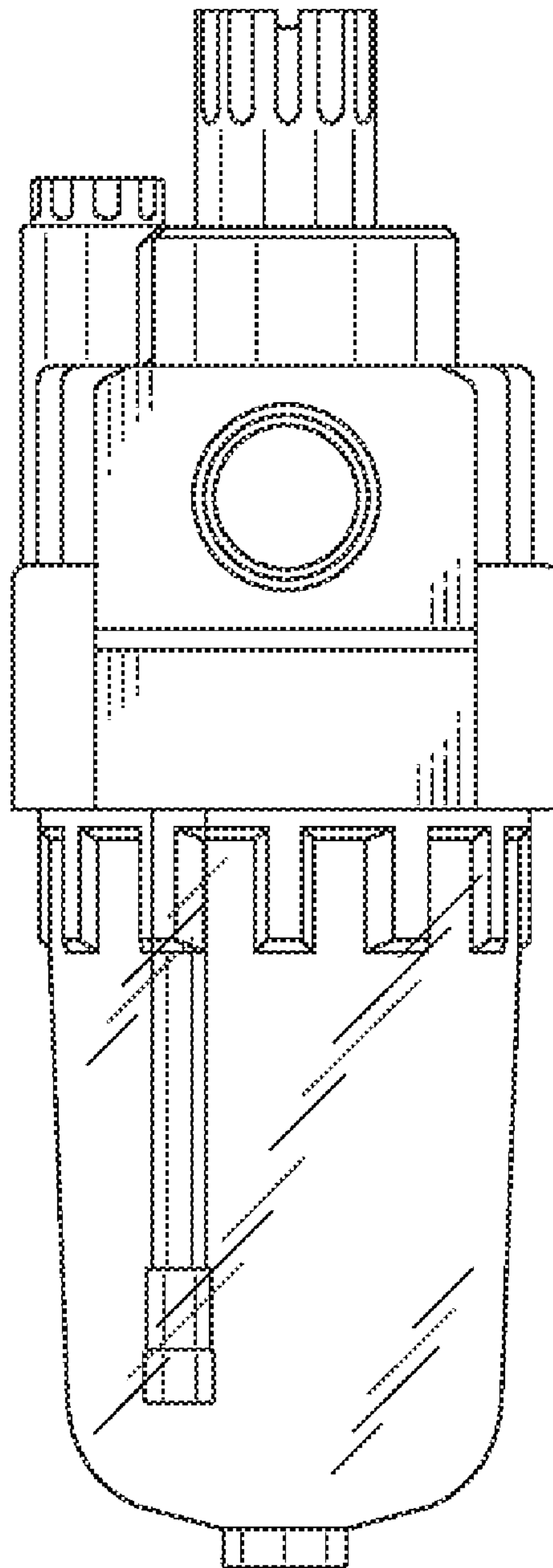


FIG. 4

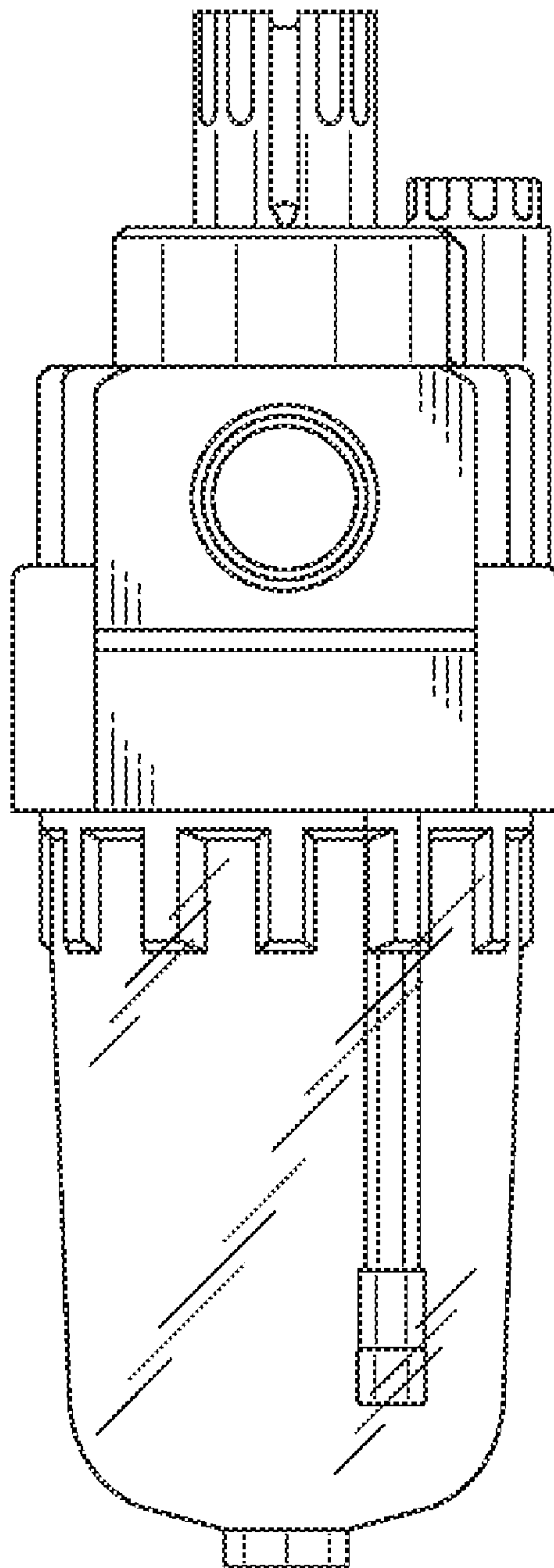


FIG. 5

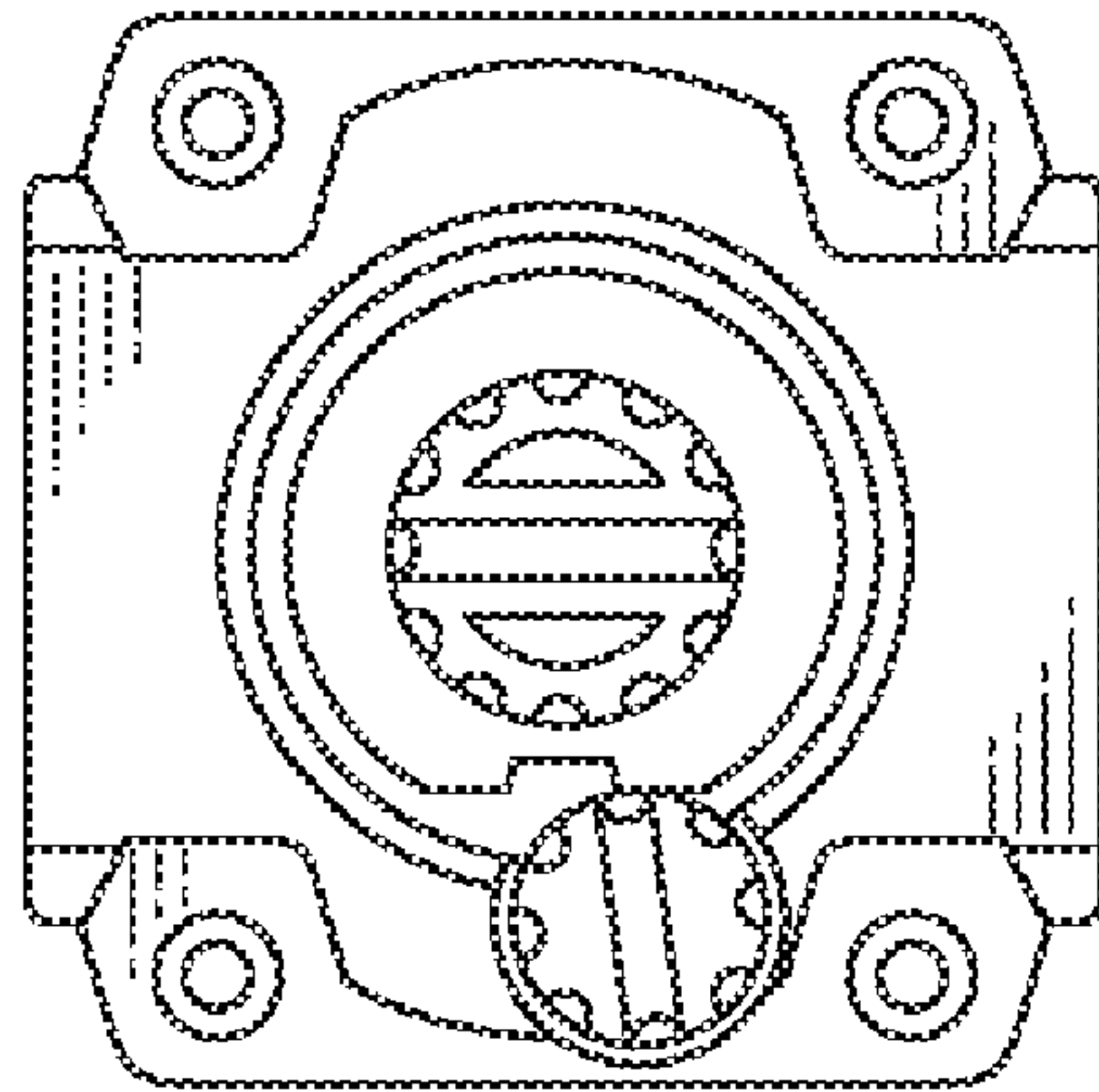


FIG. 6

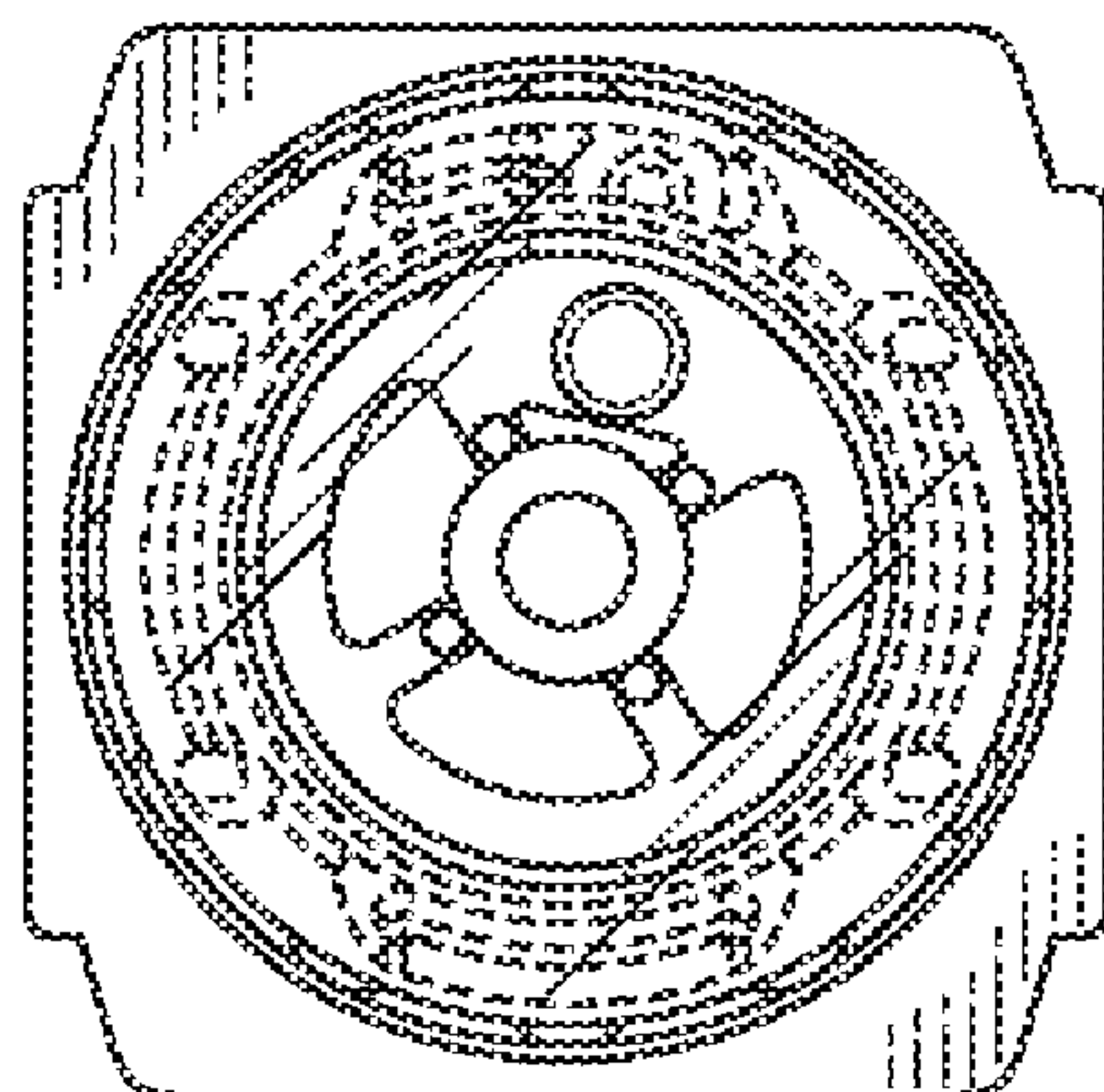




FIG. 7

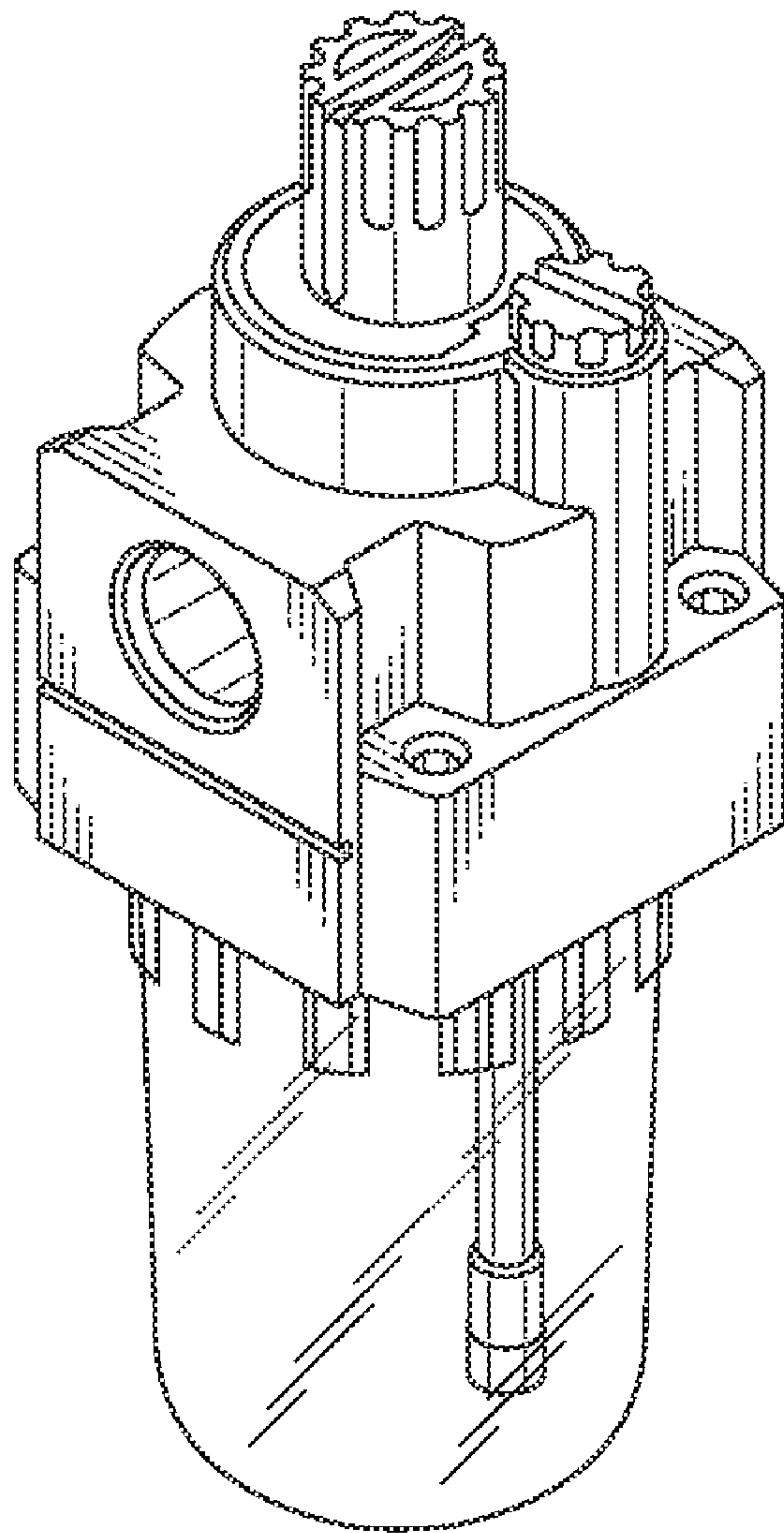


FIG. 8

