

US00D650401S

(12) **United States Design Patent**  
**Fukano et al.**

(10) **Patent No.:** **US D650,401 S**

(45) **Date of Patent:** **\*\* Dec. 13, 2011**

(54) **ELECTRIC ACTUATOR**

(75) Inventors: **Yoshihiro Fukano**, Tsukubamirai (JP);  
**Shoichi Makado**, Tsukubamirai (JP);  
**Junichi Saitoh**, Tsukubamirai (JP);  
**Takeshi Seo**, Tsukubamirai (JP)

(73) Assignee: **SMC Corporation**, Chiyoda-ku, Tokyo  
(JP)

(\*\*) Term: **14 Years**

(21) Appl. No.: **29/396,864**

(22) Filed: **Jul. 8, 2011**

(30) **Foreign Application Priority Data**

Apr. 8, 2011 (JP) ..... 2011-008179

(51) **LOC (9) Cl.** ..... **15-09**

(52) **U.S. Cl.** ..... **D15/143**

(58) **Field of Classification Search** ..... D13/158,  
D13/162, 184; D15/5, 7, 9, 143, 148, 199;  
74/89.15, 411.5, 490.09; 297/14, 325, 327;  
310/10, 12, 15, 20, 80, 300

See application file for complete search history.

(56) **References Cited**

**U.S. PATENT DOCUMENTS**

D624,098 S \* 9/2010 Fukano et al. .... D15/143  
D624,099 S \* 9/2010 Fukano et al. .... D15/143

D624,100 S \* 9/2010 Fukano et al. .... D15/143  
D636,799 S \* 4/2011 Fukano et al. .... D15/143  
2004/0065162 A1 \* 4/2004 Iida ..... 74/89.2  
2005/0011291 A1 \* 1/2005 Nagai et al. .... 74/89.32  
2009/0260463 A1 \* 10/2009 Fukano et al. .... 74/89.33  
2009/0260464 A1 \* 10/2009 Holker et al. .... 74/89.33

\* cited by examiner

*Primary Examiner* — Patricia Palasik

(74) *Attorney, Agent, or Firm* — Yokoi & Co., U.S.A., Inc.;  
Toshiyuki Yokoi

(57) **CLAIM**

The ornamental design for an electric actuator, as shown and described.

**DESCRIPTION**

FIG. 1 shows a front view of an electric actuator showing my new design;

FIG. 2 shows a rear view thereof;

FIG. 3 shows a right side view thereof;

FIG. 4 shows a left side view thereof;

FIG. 5 shows a top view thereof;

FIG. 6 shows a bottom view thereof;

FIG. 7 shows a top, front and left side perspective view thereof; and,

FIG. 8 shows a bottom, front and right side perspective view thereof.

The portions of the design shown in broken lines in FIGS. 1, 3, 5, 6, 7 and 8 are for the purpose of illustrating the environment only and form no part of the claimed design.

**1 Claim, 6 Drawing Sheets**

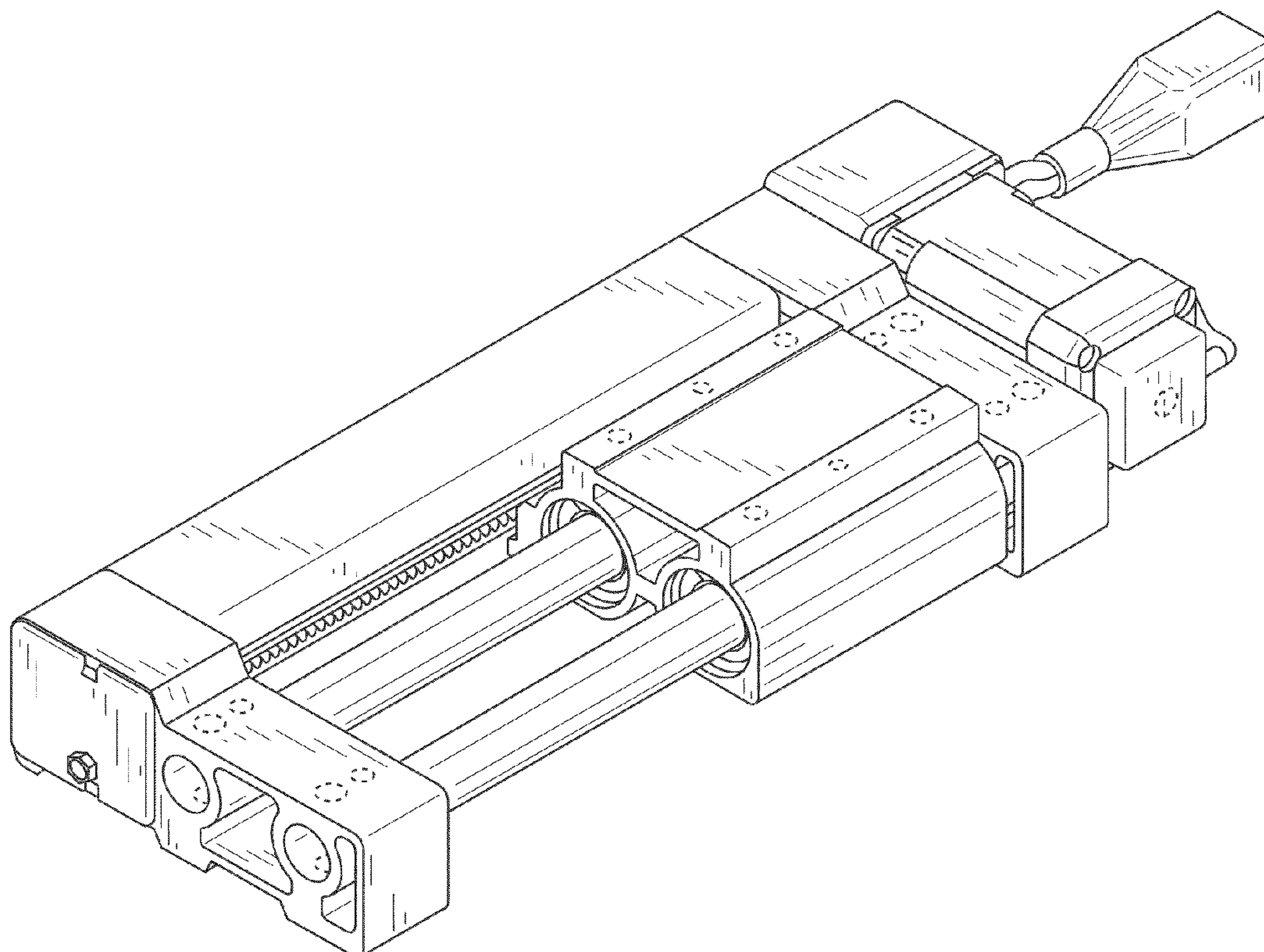


FIG. 1

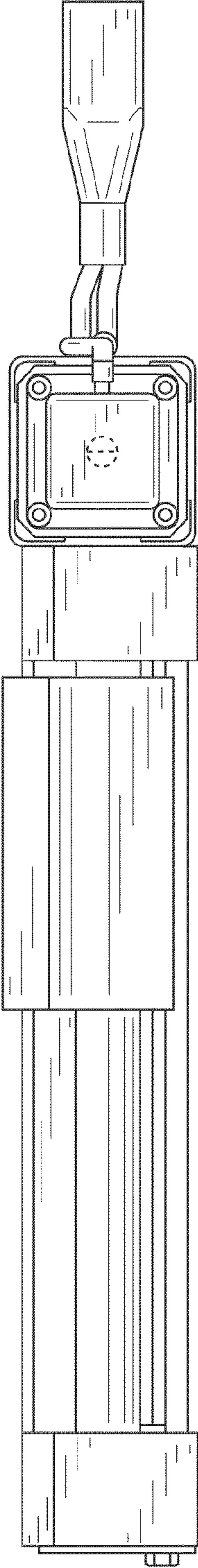


FIG. 2

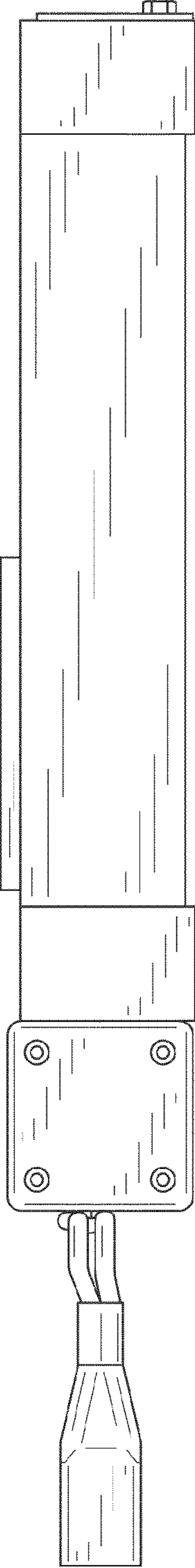


FIG. 3

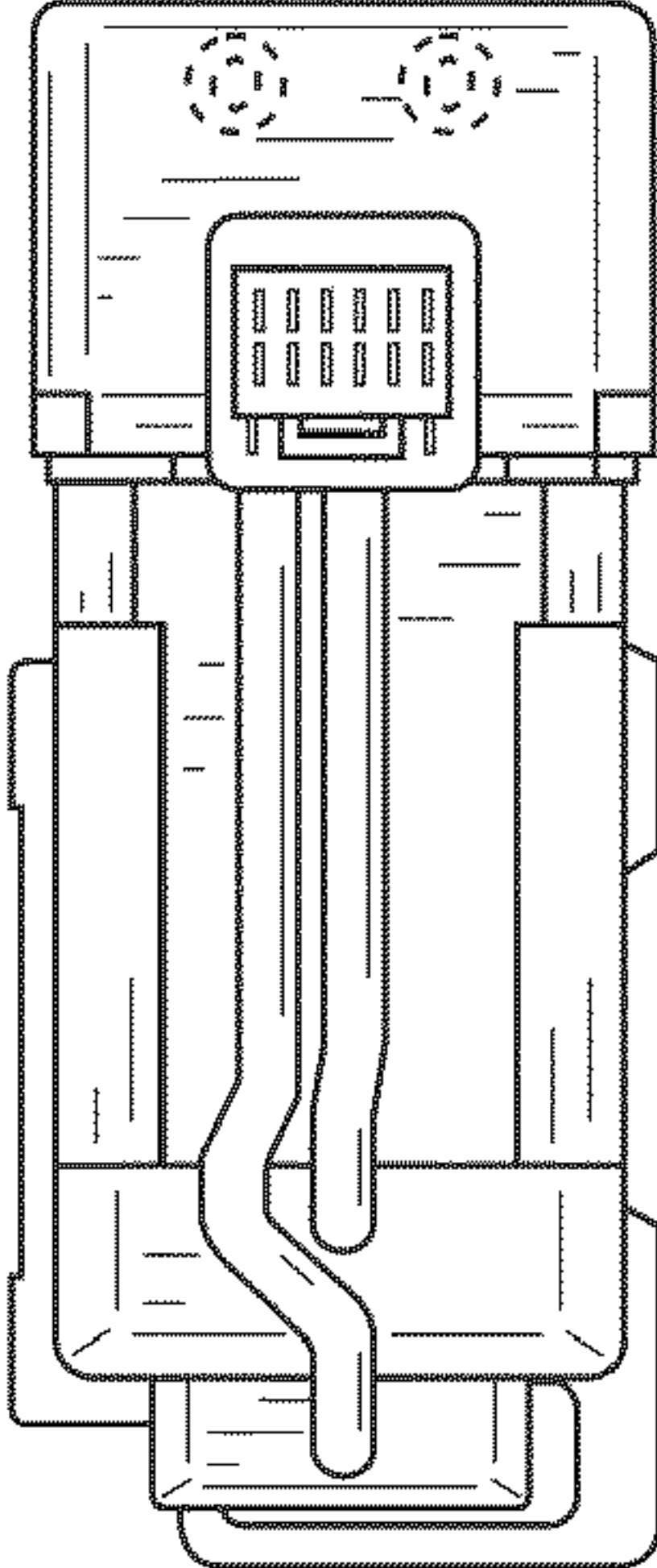


FIG. 4

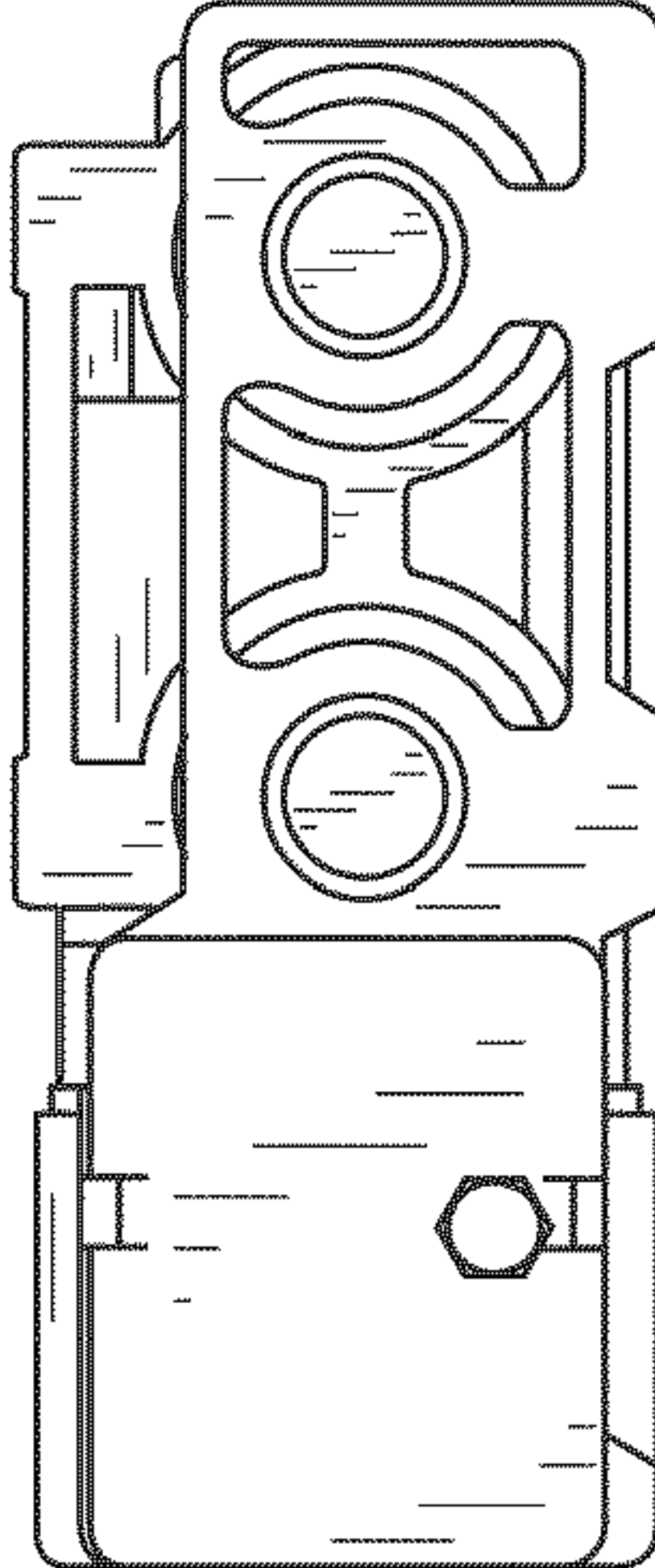




FIG. 5

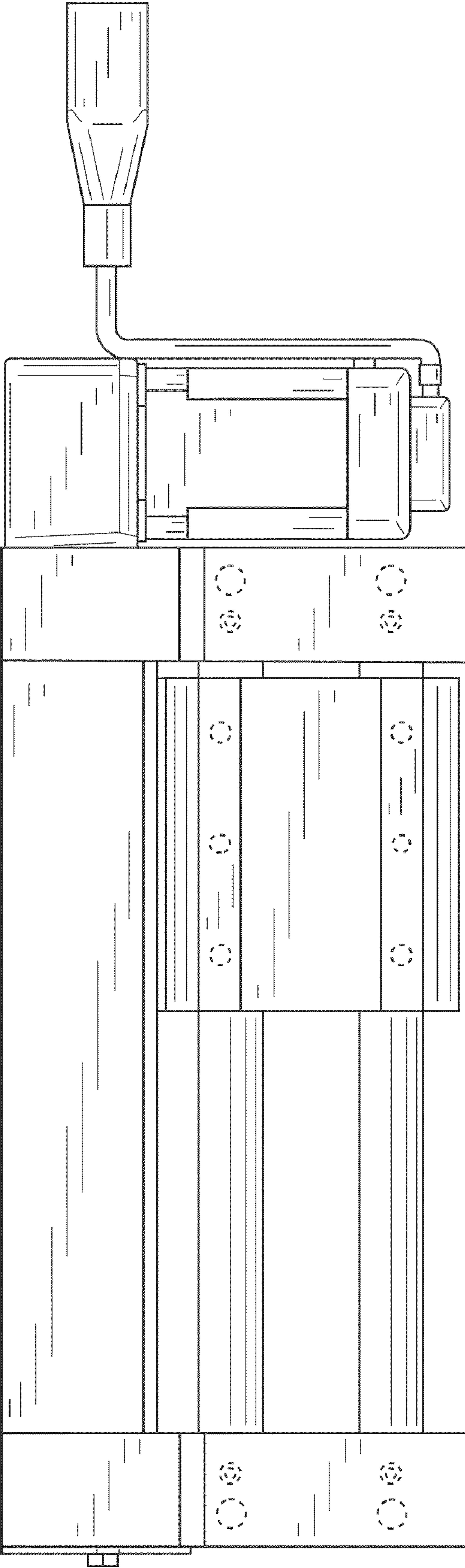


FIG. 6

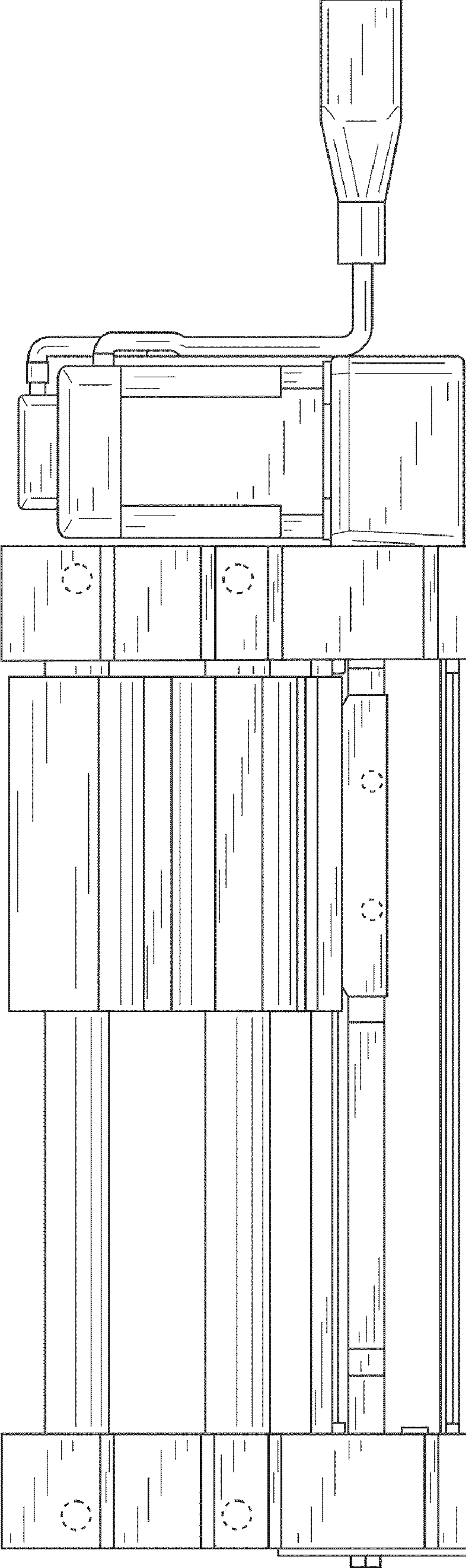


FIG. 7

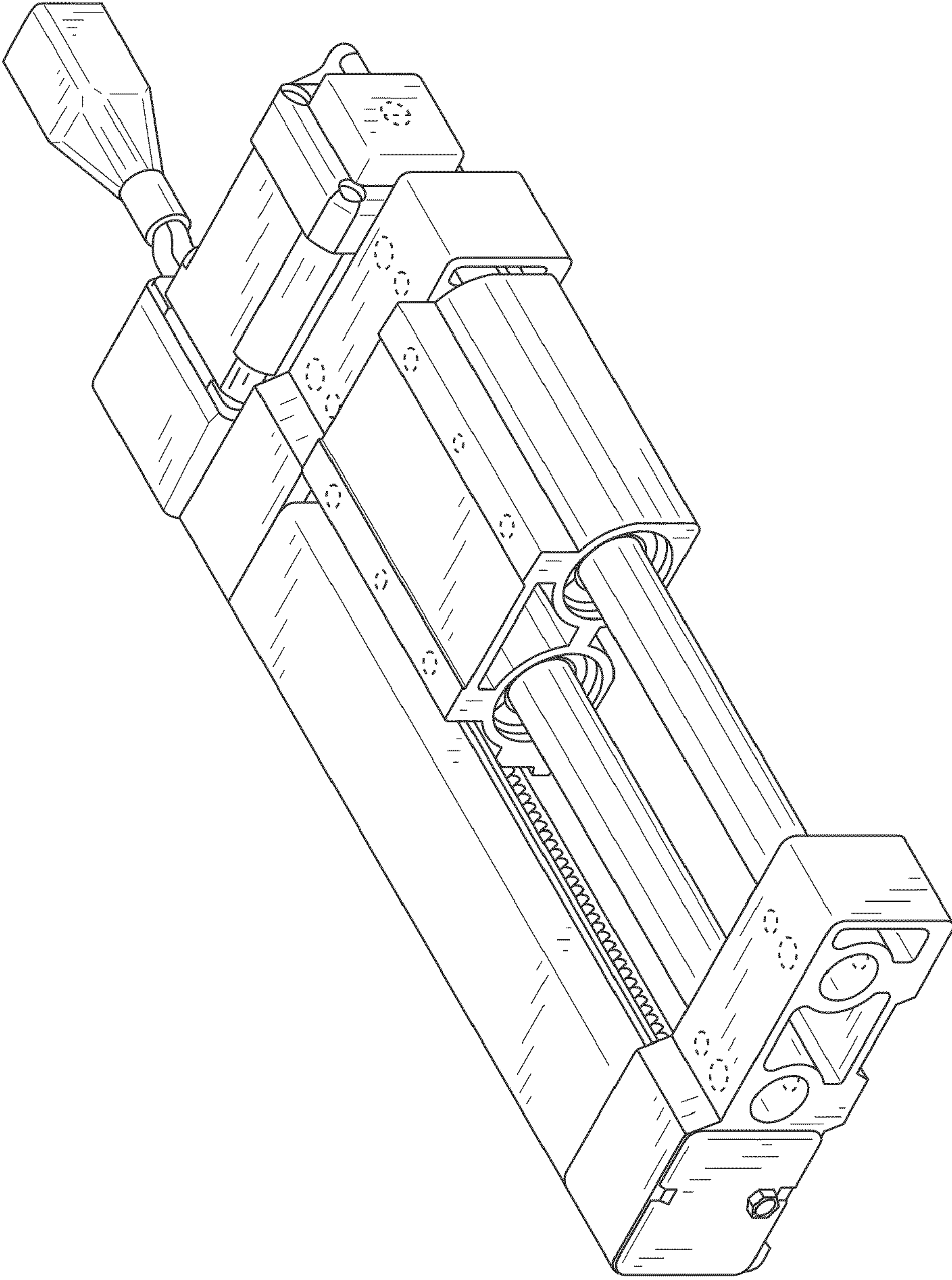




FIG. 8

