



US00D650399S

(12) **United States Design Patent**
Kim

(10) **Patent No.:** **US D650,399 S**

(45) **Date of Patent:** **** Dec. 13, 2011**

(54) **REFRIGERATOR DOOR**

(76) Inventor: **Brian S. Kim**, Rancho Palos Verdes, CA
(US)

(**) Term: **14 Years**

(21) Appl. No.: **29/317,386**

(22) Filed: **Apr. 29, 2008**

(51) **LOC (9) Cl.** **15-07**

(52) **U.S. Cl.** **D15/91**

(58) **Field of Classification Search** D15/79-91;
62/3.6, 3.63, 3.64, 293, 467, 339, 373, 457,
62/265, 440, 441; 312/400-408, 139.2, 236,
312/297, 116, 117; D6/329, 396, 432, 445,
D6/449, 559

See application file for complete search history.

(56) **References Cited**

U.S. PATENT DOCUMENTS

D449,843 S	*	10/2001	Kim	D15/81
D449,844 S	*	10/2001	Kim	D15/81
D518,492 S	*	4/2006	Okamoto et al.	D15/87
D518,834 S	*	4/2006	Okamoto et al.	D15/87
D529,055 S	*	9/2006	Okamoto et al.	D15/87

D618,257 S * 6/2010 Hanamure et al. D15/79
* cited by examiner

Primary Examiner — Mitchell Siegel

(74) *Attorney, Agent, or Firm* — John K. Park; Park Law Firm

(57) **CLAIM**

The ornamental design for a refrigerator door, as shown and described.

DESCRIPTION

FIG. 1 is a perspective view of a refrigerator door that is integrated into a refrigerator door;
FIG. 2 is a plan view thereof;
FIG. 3 is a front elevation view thereof;
FIG. 4 is a rear elevation view thereof;
FIG. 5 is a left side elevation view thereof;
FIG. 6 is a right side elevation view thereof; and,
FIG. 7 is an enlarged fragmented cross sectional view taken on line 7-7 of FIG. 3.

The broken line showing of environment is for illustrative purposes only and forms no part of the claimed design.

1 Claim, 3 Drawing Sheets

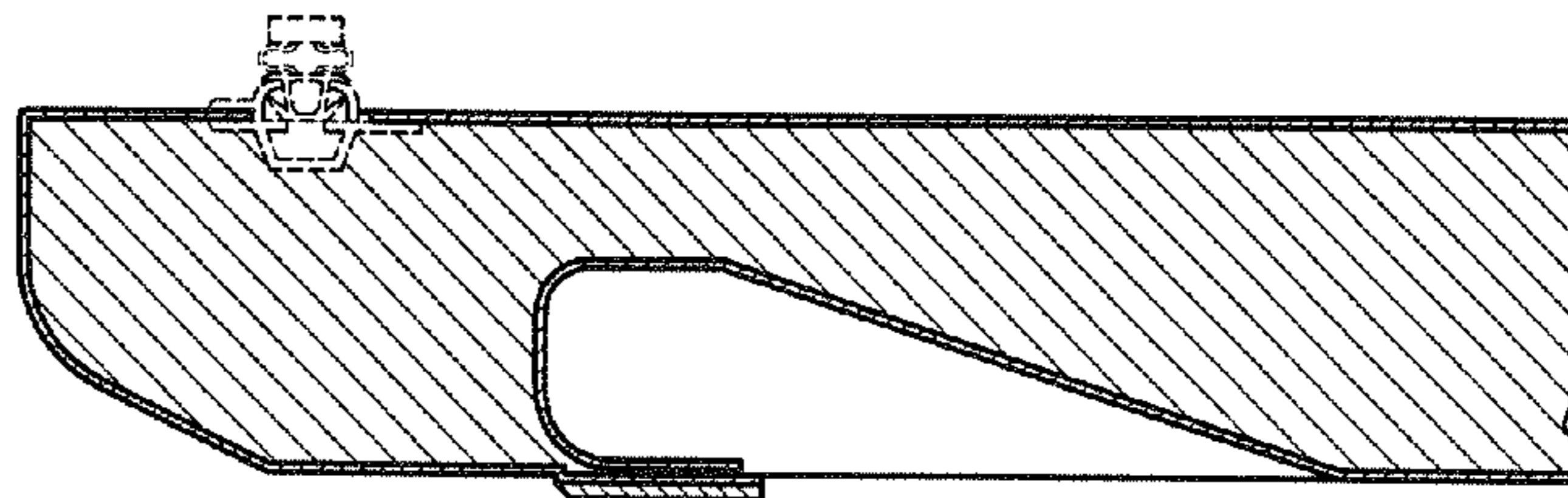
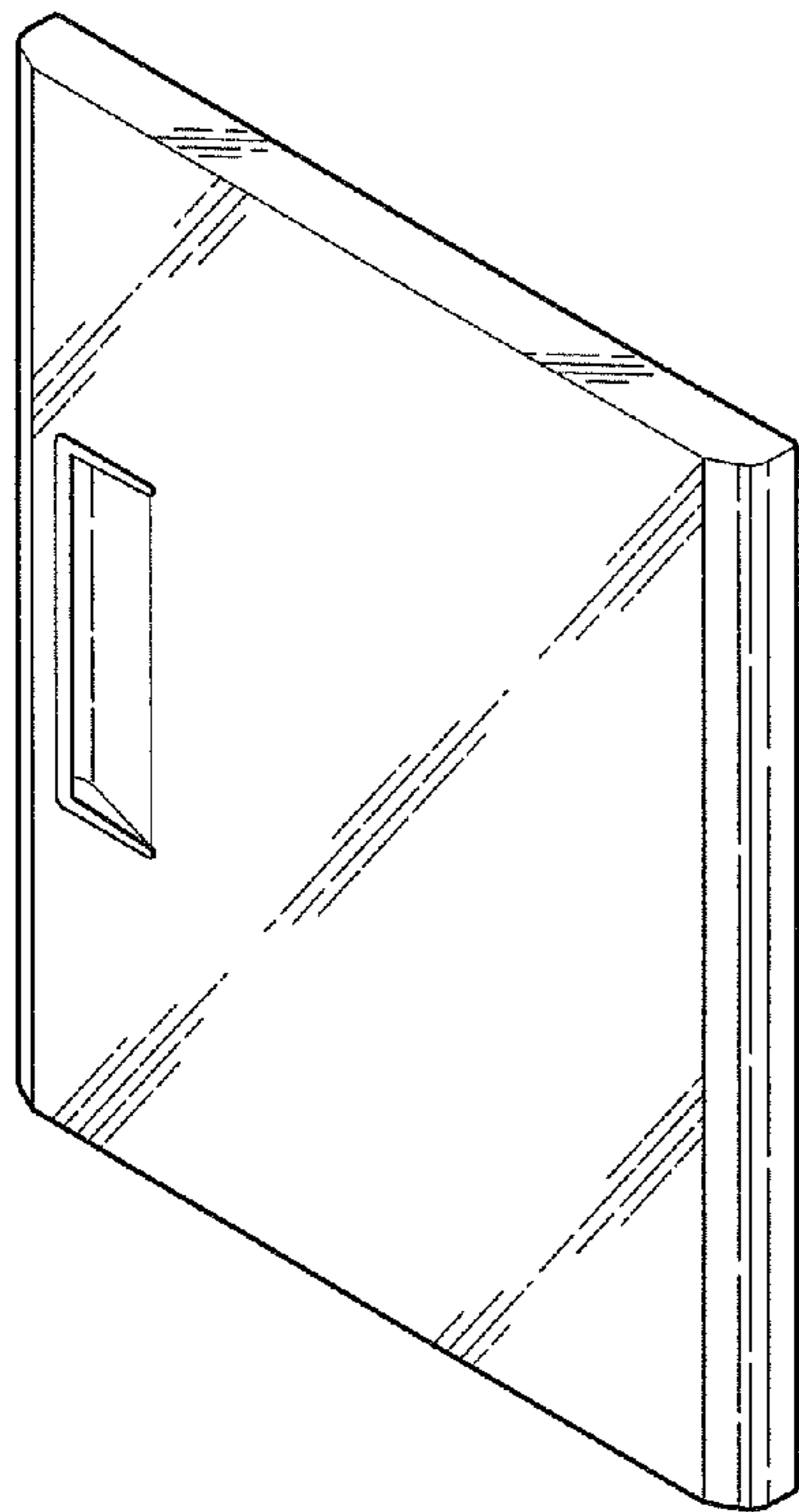


FIG. 1

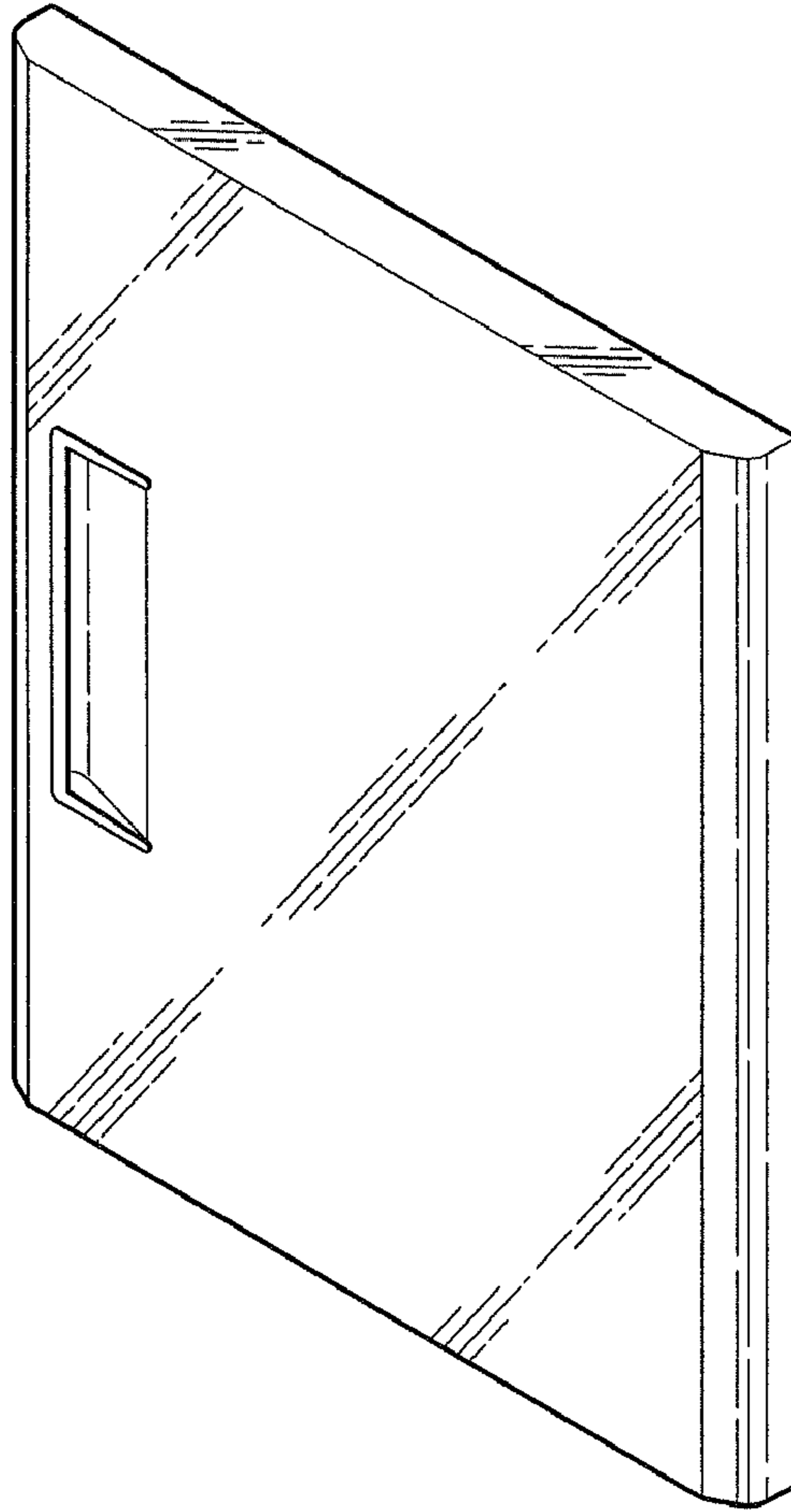


FIG. 2



FIG. 3

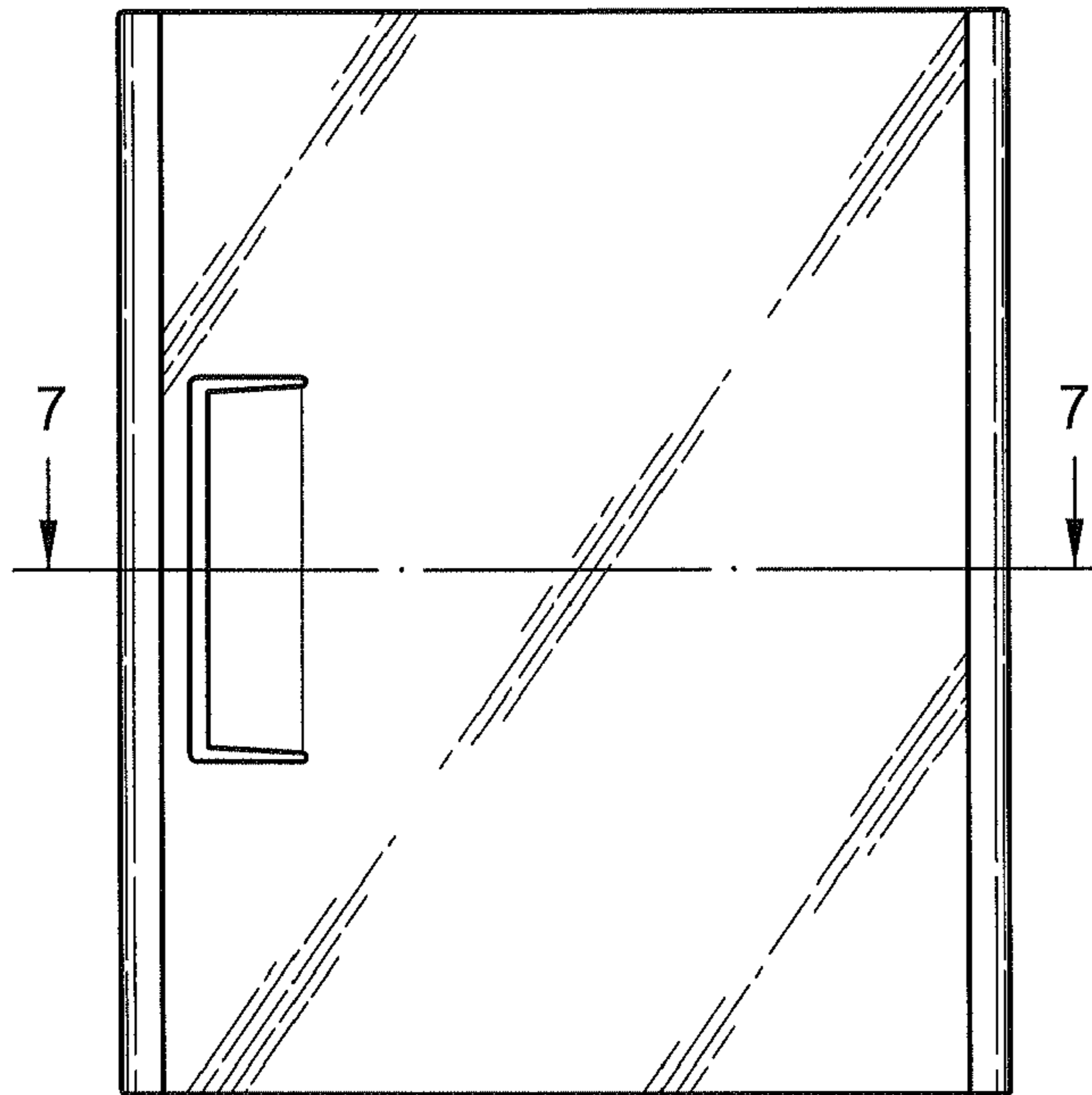


FIG. 4

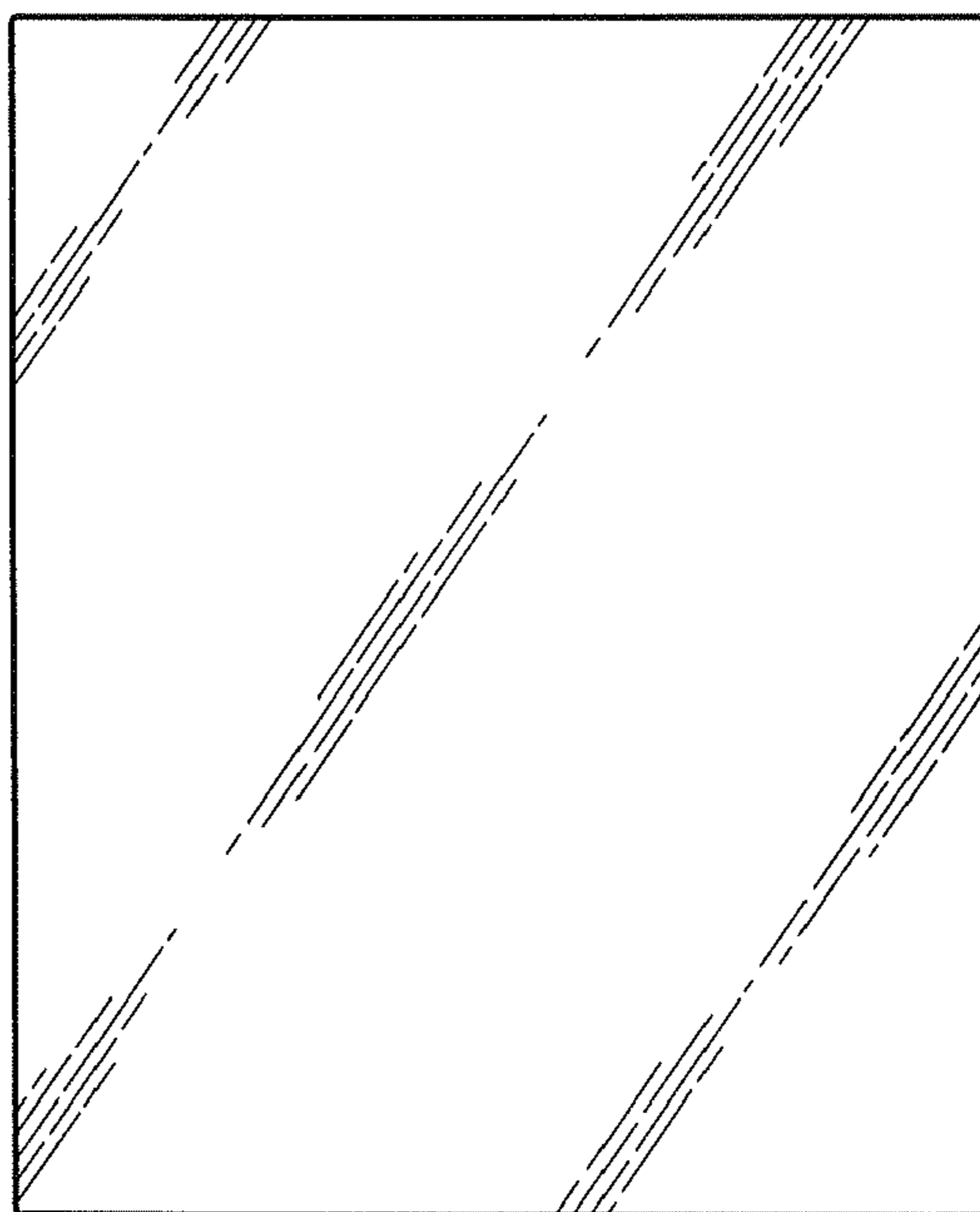


FIG. 5

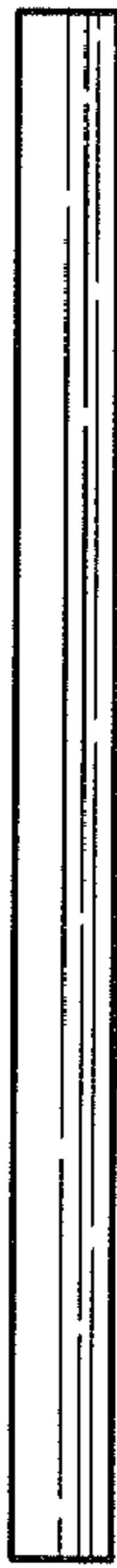


FIG. 6



FIG. 7

