



US00D650398S

(12) **United States Design Patent**
Hannon

(10) **Patent No.:** **US D650,398 S**

(45) **Date of Patent:** **** Dec. 13, 2011**

(54) **COOL PACK**

(76) Inventor: **Todd J. Hannon**, Burlington, WI (US)

(**) Term: **14 Years**

(21) Appl. No.: **29/385,678**

(22) Filed: **Feb. 17, 2011**

(51) **LOC (9) Cl.** **15-07**

(52) **U.S. Cl.** **D15/90**

(58) **Field of Classification Search** D15/89,
D15/90; 62/293, 529-530, 331, 457.1; D1/106
See application file for complete search history.

(56) **References Cited**

U.S. PATENT DOCUMENTS

1,923,522	A *	8/1933	Whitehouse	D15/90
D272,232	S *	1/1984	Parmentier	D15/90
D322,383	S *	12/1991	Jones	D15/90
D336,595	S *	6/1993	Jones	D15/90
D363,075	S	10/1995	Dunn		
D365,911	S *	1/1996	Cassetti et al.	D15/90
D367,068	S *	2/1996	Green	D15/90
5,603,219	A *	2/1997	Kolb	62/529
D428,898	S	8/2000	Hixson		
D445,434	S *	7/2001	Doornhein	D15/90
D446,226	S *	8/2001	Heredia	D15/90

D473,572	S *	4/2003	Linberg et al.	D15/90
D537,850	S *	3/2007	Moore et al.	D15/90
D537,851	S *	3/2007	Mount	D15/90
D538,309	S *	3/2007	Mount	D15/90
D552,633	S *	10/2007	Volkan	D15/90
D577,747	S *	9/2008	Galeano et al.	D15/90
D605,827	S *	12/2009	Kushner	D15/90

* cited by examiner

Primary Examiner — Mitchell Siegel

(74) *Attorney, Agent, or Firm* — Cardinal Law Group;
Ronald E. Andermann

(57) **CLAIM**

The ornamental design for a cool pack, as shown and described.

DESCRIPTION

FIG. 1 is a top perspective view of the cool pack;
FIG. 2 is a bottom perspective view of the cool pack;
FIG. 3 is a top plan view of the cool pack;
FIG. 4 is a side elevational view of the cool pack; and
FIG. 5 is a front elevational view of the cool pack; and,
FIG. 6 is a bottom plan view of the cool pack.

1 Claim, 3 Drawing Sheets

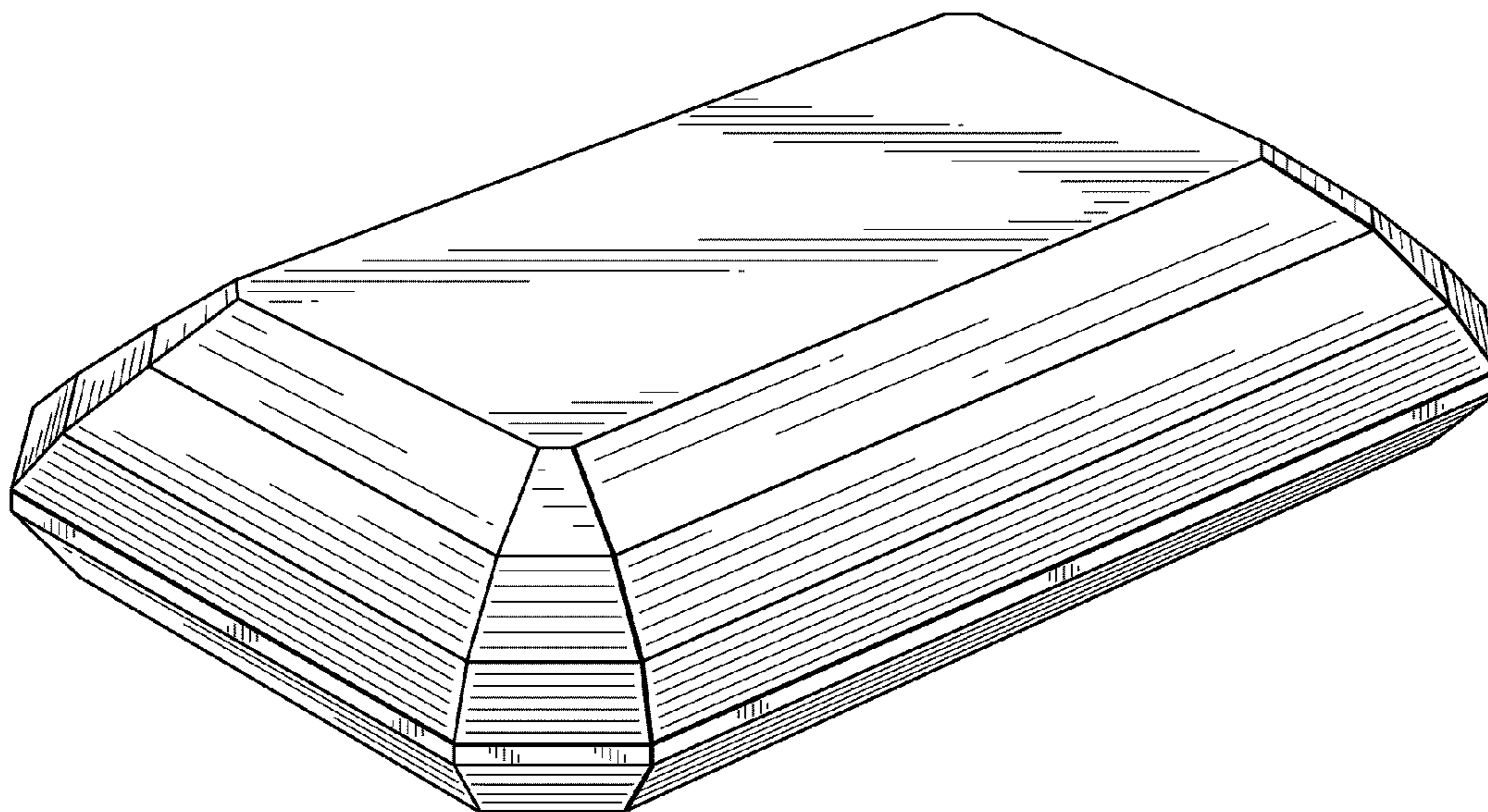


Fig. 1

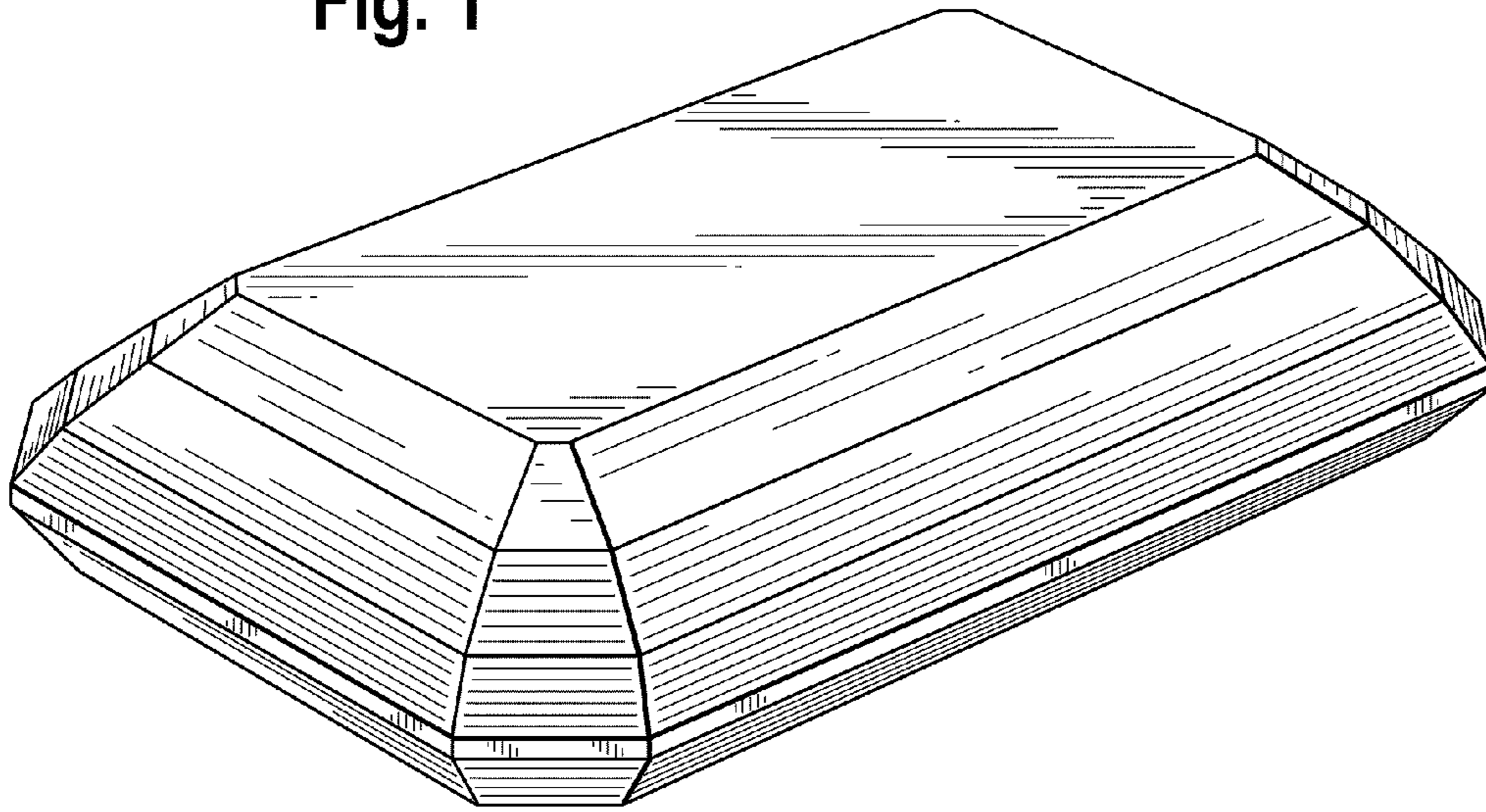


Fig. 2

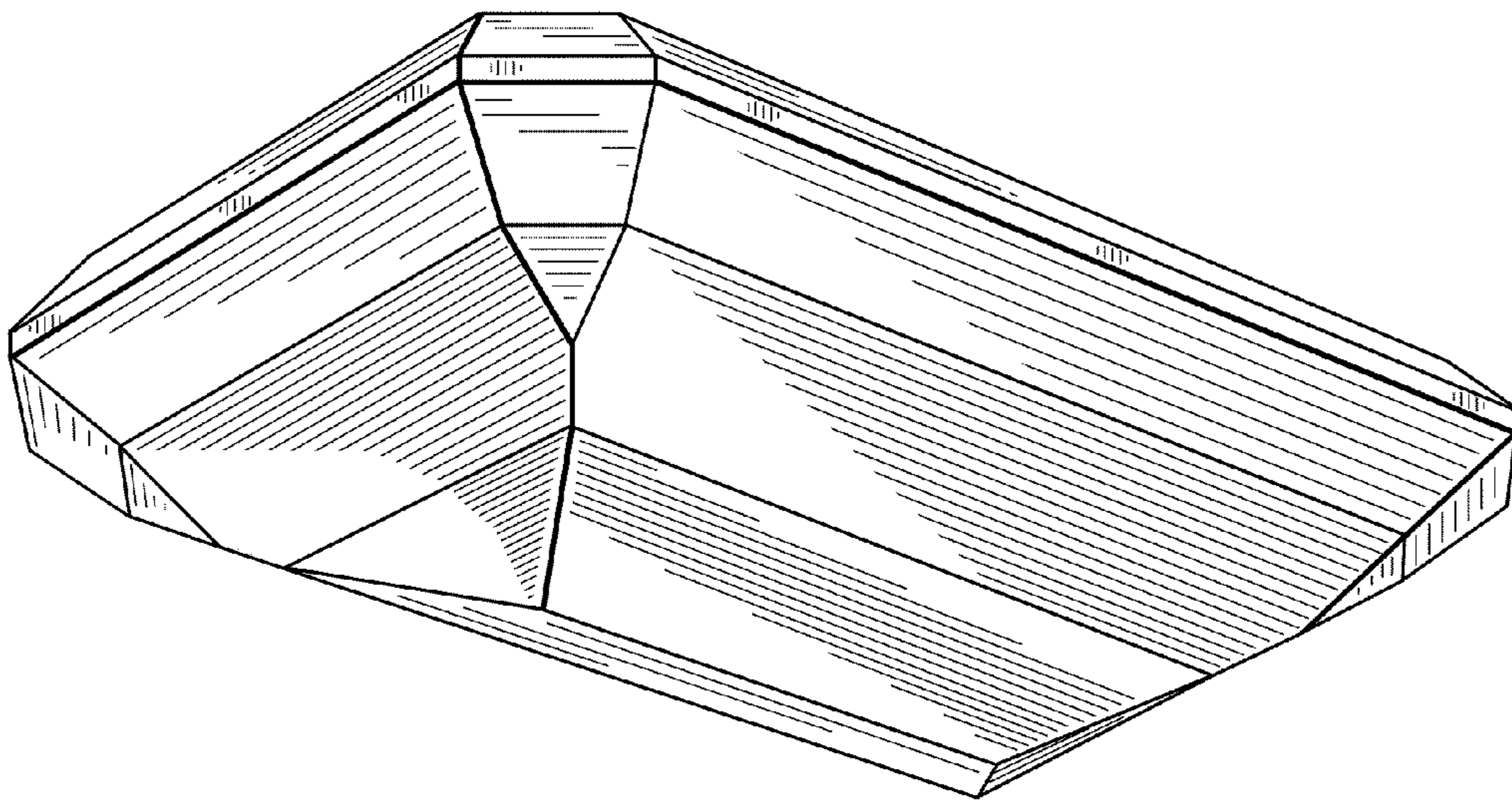


Fig. 3

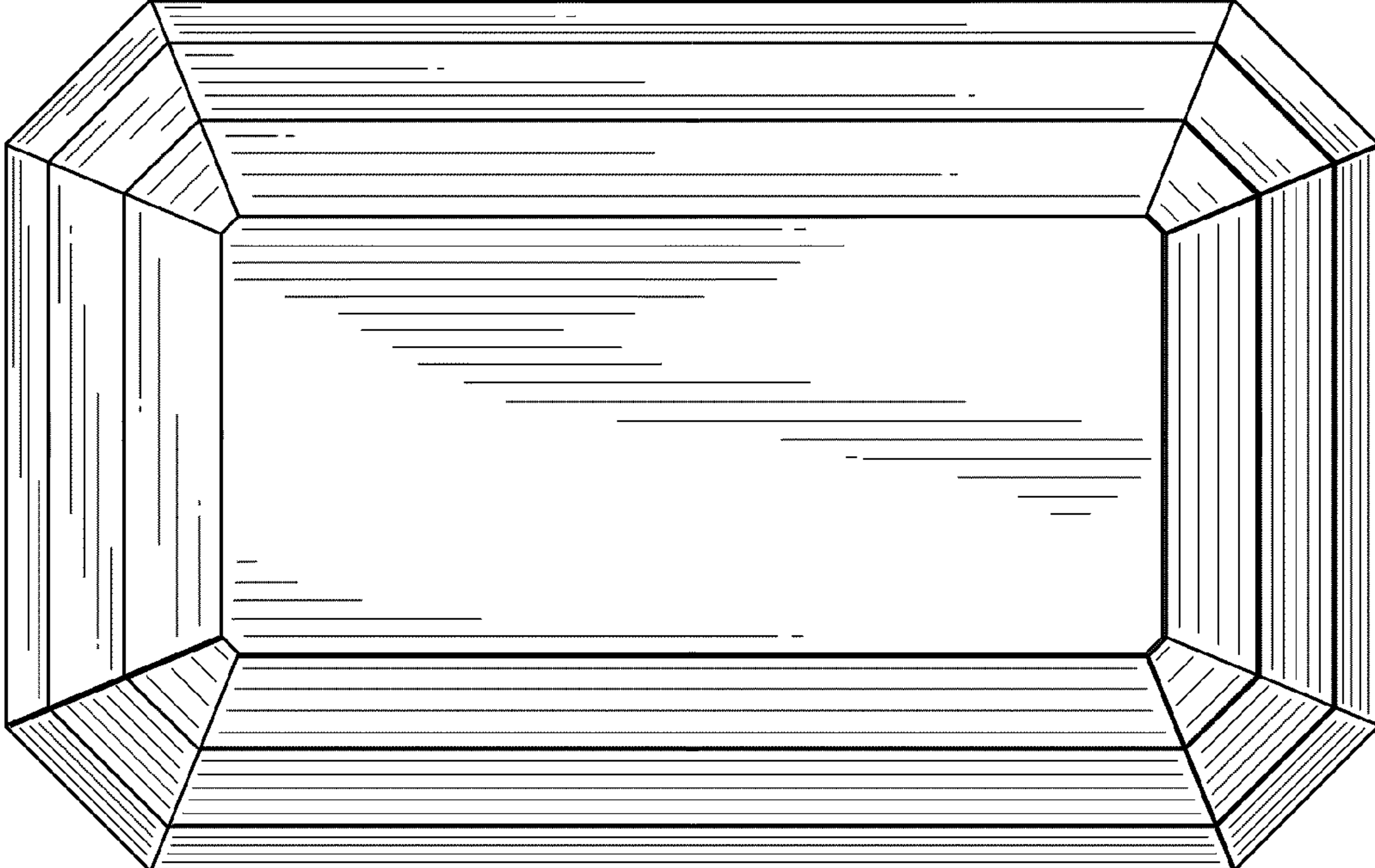


Fig. 4

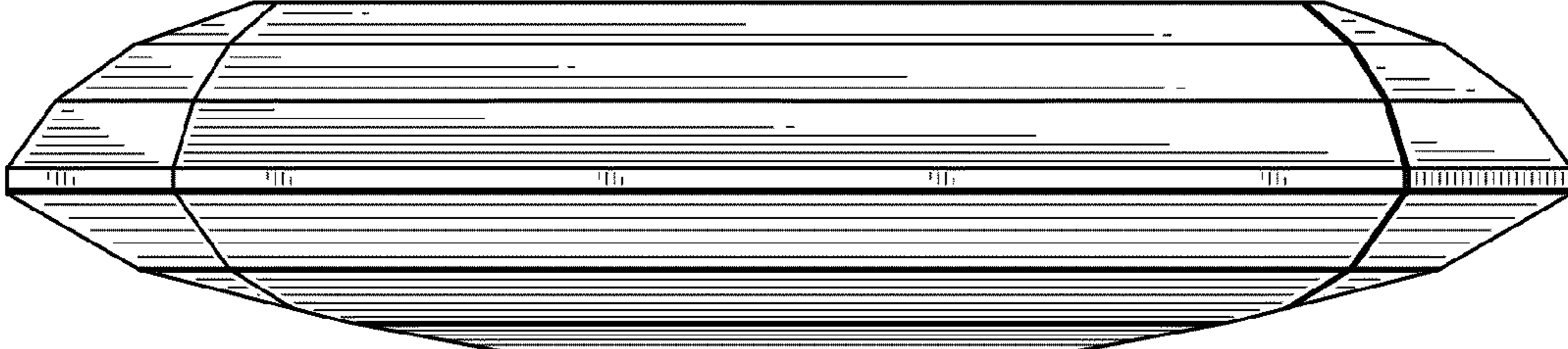


Fig. 5

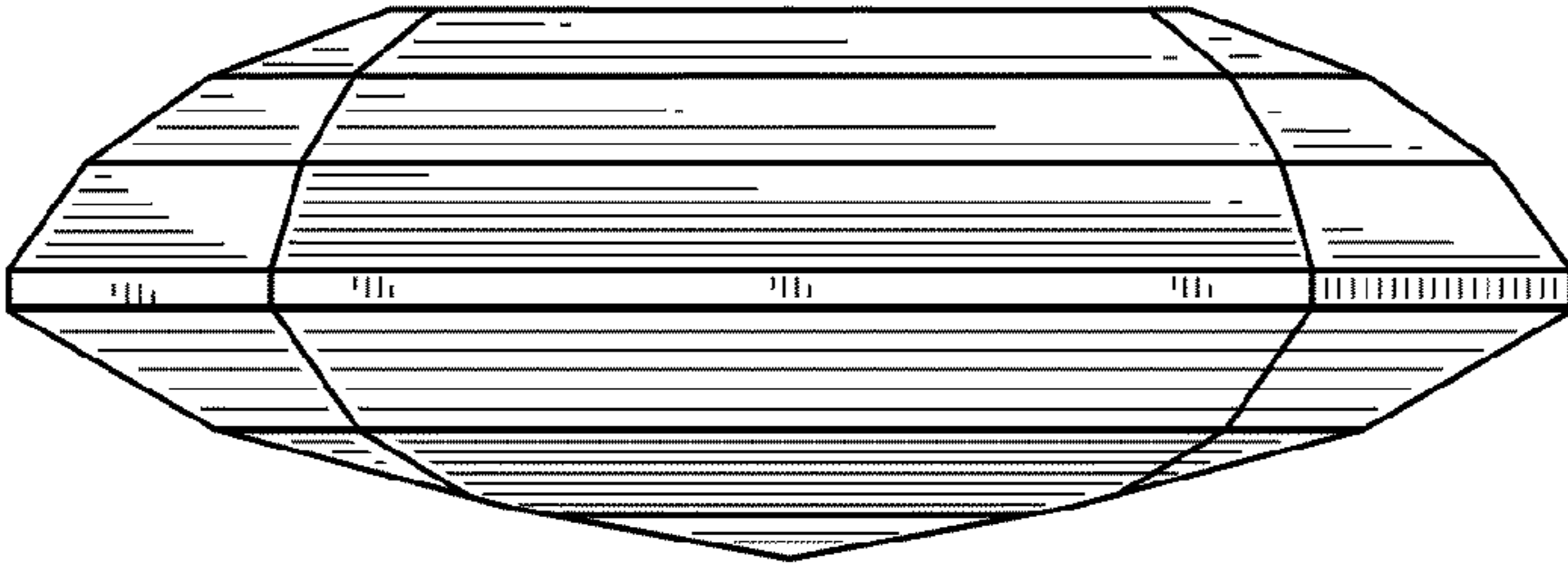


Fig. 6

