



US00D650396S

(12) **United States Design Patent**
Ewringmann

(10) **Patent No.:** **US D650,396 S**
(45) **Date of Patent:** **** Dec. 13, 2011**

(54) **FEEDER FOR A ROAD PAVING MACHINE**

4,139,318 A 2/1979 Jakob et al.
(Continued)

(75) Inventor: **Ulrich Ewringmann,**
Taufkirchen-Potzham (DE)

FOREIGN PATENT DOCUMENTS

EP 000539432 11/2006

(73) Assignee: **Joseph Voegle AG,** Ludwigshafen (DE)

OTHER PUBLICATIONS

MT 1000-1, Beschicker, advertising brochure, Nov. 2008 (German).

(**) Term: **14 Years**

(Continued)

(21) Appl. No.: **29/397,656**

Primary Examiner — Mark Goodwin

(22) Filed: **Jul. 19, 2011**

(74) *Attorney, Agent, or Firm* — Fish & Richardson P.C.

(57) **CLAIM**

The ornamental design for a feeder for a road paving machine, as shown and described.

Related U.S. Application Data

(62) Division of application No. 29/378,375, filed on Nov. 3, 2010.

DESCRIPTION

(51) **LOC (9) Cl.** **15-03**

(52) **U.S. Cl.** **D15/22; D15/24**

(58) **Field of Classification Search** D15/22–26,
D15/19, 29, 10; 404/110, 101, 108, 118,
404/105, 75, 102, 84.05, 90–92, 84.1, 84.2,
404/84.5, 84.8, 83; 37/18 R, 381, 392, 388

FIG. 1 is a perspective view of a feeder for a road paving machine showing my new design, the bottom view being devoid of surface ornamentation forms no part of the claimed design.

FIG. 2 is a left elevation view of the feeder for a road paving machine of FIG. 1

FIG. 3 is a right elevation view of the feeder for a road paving machine of FIG. 1.

FIG. 4 is a front view of the feeder for a road paving machine of FIG. 1

FIG. 5 is a rear view of the feeder for a road paving machine of FIG. 1

FIG. 6 is a perspective view of the left side of the feeder for a road paving machine of FIG. 1.

FIG. 7 is a perspective view of the right side of the feeder for a road paving machine of FIG. 1

FIG. 8 is another perspective view of the right side of the feeder for a road paving machine of FIG. 1; and,

FIG. 9 is a top plan view of the feeder for a road paving machine of FIG. 1.

See application file for complete search history.

(56) **References Cited**

U.S. PATENT DOCUMENTS

D135,005 S	2/1943	Baumgardner
2,591,502 A	4/1952	Bohannan et al.
2,779,258 A	1/1957	Johnson
D184,043 S	12/1958	Dodge
3,000,277 A	9/1961	Crane et al.
D210,658 S	4/1968	Lazzeroni
3,405,613 A	10/1968	Gustafson
3,453,939 A	7/1969	Pollitz et al.
3,561,816 A	2/1971	Koch
3,699,855 A	10/1972	Leister
3,712,664 A	1/1973	May
D230,297 S	2/1974	Purcell et al.
D239,966 S	5/1976	Swisher et al.
3,997,277 A	12/1976	Swisher et al.

1 Claim, 9 Drawing Sheets



US D650,396 S

Page 2

U.S. PATENT DOCUMENTS

D256,466 S	8/1980	Smith et al.	6,099,205 A	8/2000	Macku et al.
4,325,580 A	4/1982	Swisher et al.	6,189,955 B1	2/2001	Fryk et al.
D275,199 S	8/1984	Schmidt et al.	6,193,437 B1 *	2/2001	Heims 404/110
D281,881 S	12/1985	Swartzendruber et al.	6,309,138 B1	10/2001	Yasu et al.
D284,668 S	7/1986	Salley et al.	6,375,386 B1	4/2002	Macku et al.
D284,669 S	7/1986	Clark et al.	6,688,682 B2	2/2004	Arthur et al.
D284,767 S	7/1986	Clark et al.	6,874,973 B1	4/2005	Yoshida
D285,081 S	8/1986	Wood	D507,281 S	7/2005	Komatsu et al.
4,721,031 A	1/1988	Nakata et al.	D507,800 S	7/2005	Kuwae et al.
D306,450 S	3/1990	Funabashi et al.	7,144,192 B2	12/2006	Holl et al.
5,009,546 A	4/1991	Domenighetti et al.	D578,142 S	10/2008	Ewringmann
D317,011 S	5/1991	Boddin et al.	D626,573 S	11/2010	Koetting et al.
D329,435 S	9/1992	Katoh et al.	D632,308 S	2/2011	Kopacz et al.
5,201,603 A	4/1993	Bassett et al.	2003/0143024 A1	7/2003	Sharpe et al.
5,201,604 A	4/1993	Ferguson et al.	2005/0093282 A1	5/2005	Gaertner et al.
5,269,626 A	12/1993	Soliman et al.	2006/0045620 A1	3/2006	Olson et al.
D348,553 S	7/1994	Martin	2006/0045624 A1	3/2006	Nelson
5,356,238 A	10/1994	Musil et al.	2008/0152428 A1	6/2008	Berning et al.
D362,449 S	9/1995	Swisher			
5,511,900 A	4/1996	Macku			
D370,917 S	6/1996	Swisher			
5,615,973 A	4/1997	Campbell			
5,695,238 A	12/1997	Calamari et al.			
6,071,040 A	6/2000	Macku et al.			
6,086,287 A	7/2000	Sharpe et al.			

OTHER PUBLICATIONS

MT 1000-1, Mobile Feeder, advertising brochure, Nov. 2008 (English).

PowerFeeder MT 3000-2 Offset, advertising brochure, Trade Fair Bauma in Munich, Apr. 19-25, 2010.

* cited by examiner

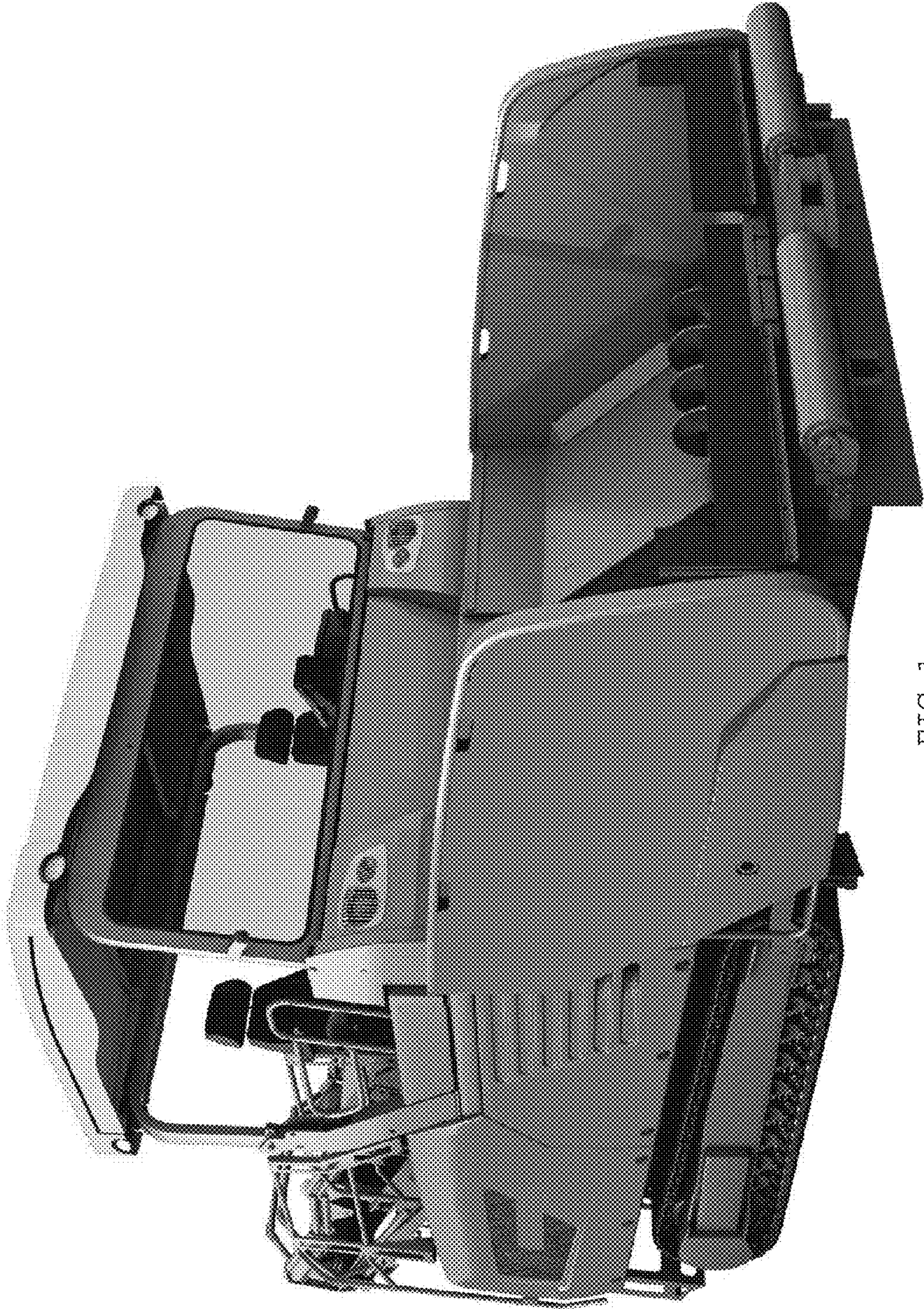


FIG 1

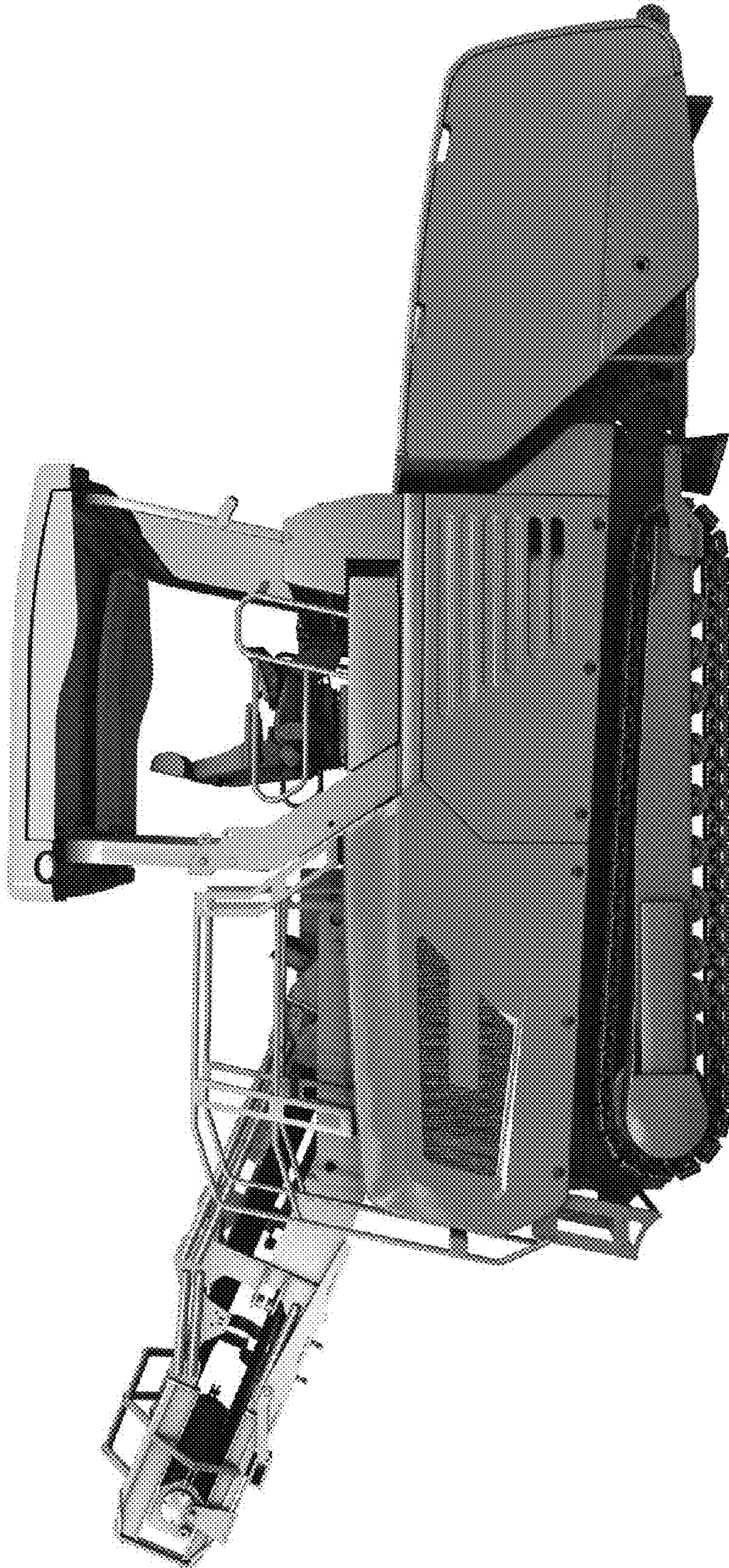


FIG 2

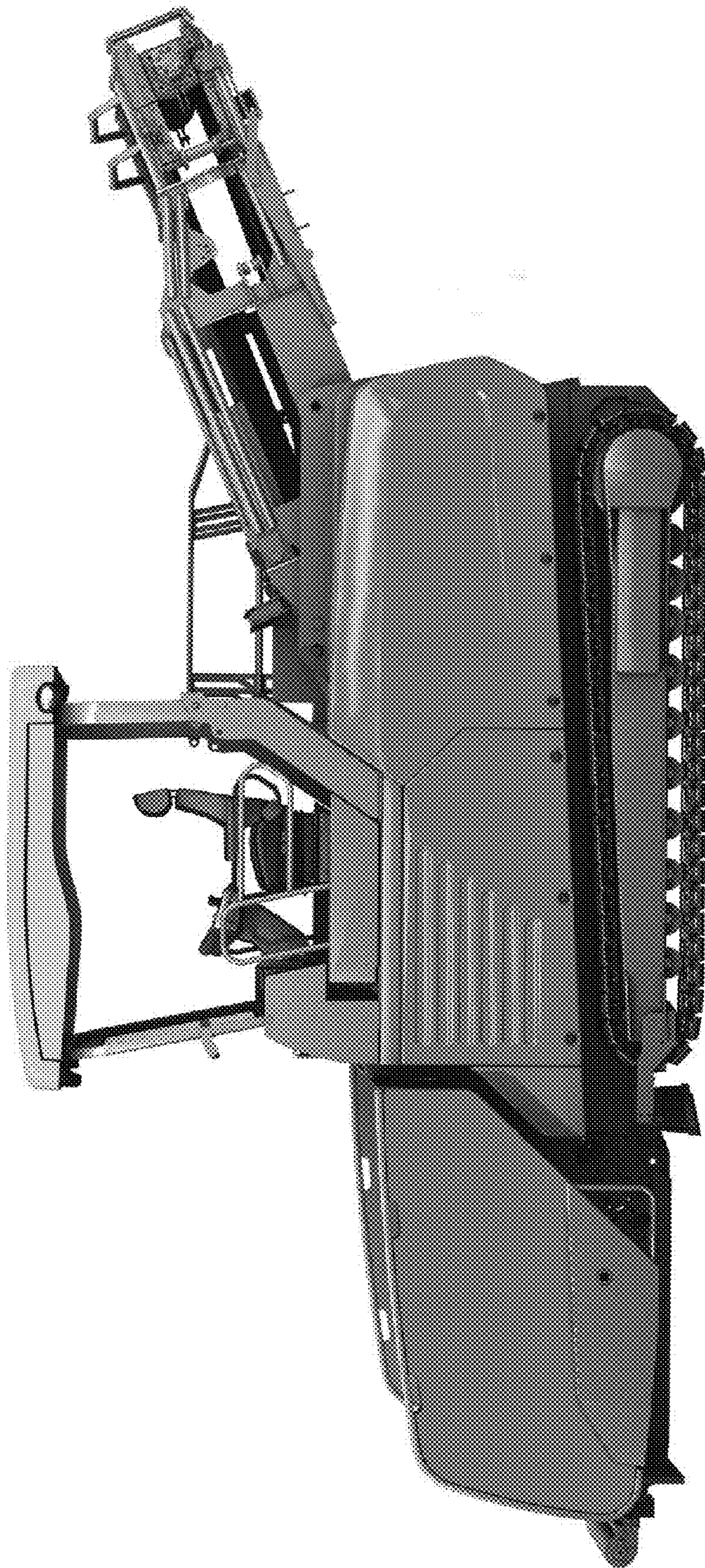


FIG 3

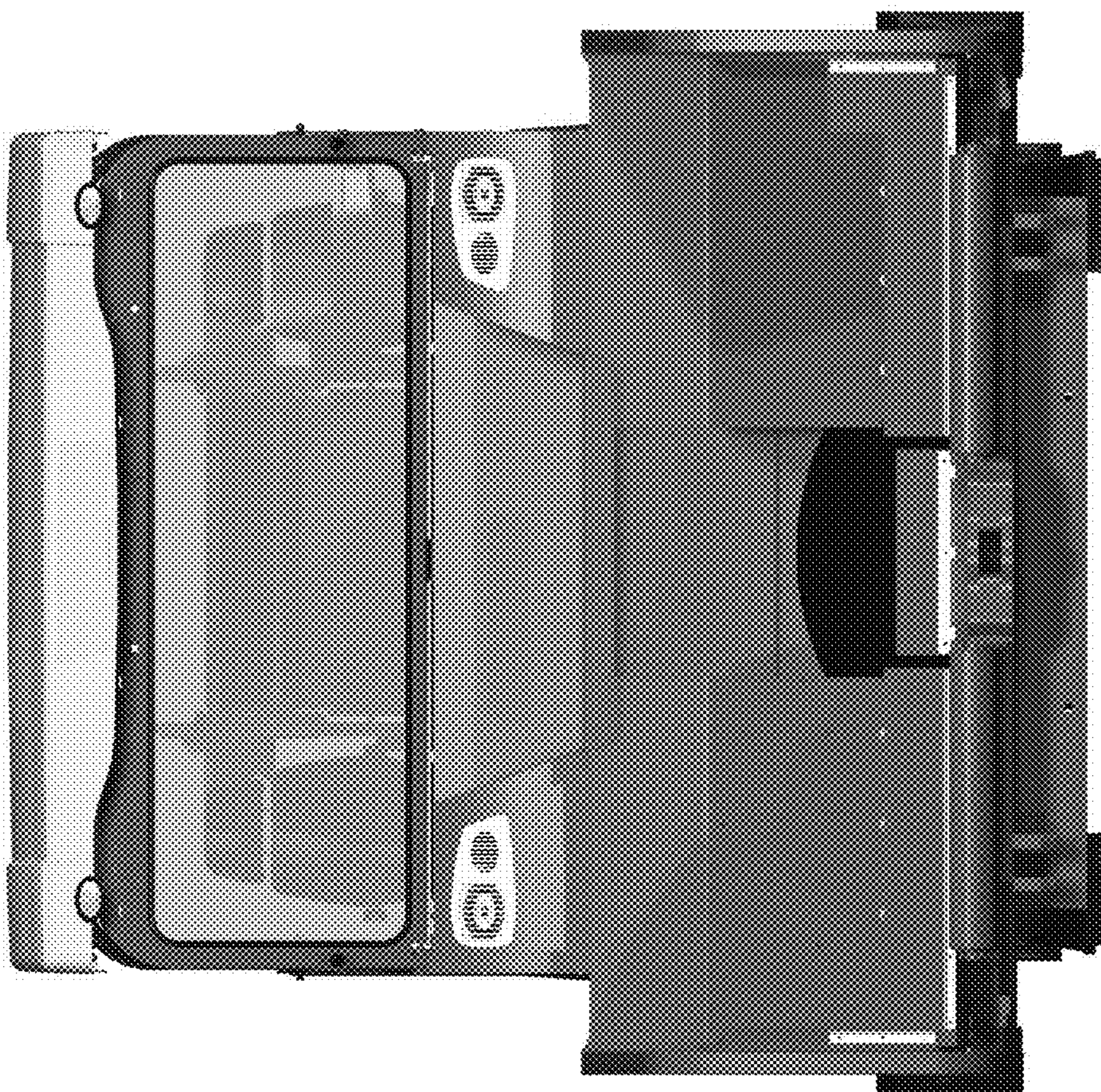


FIG 4

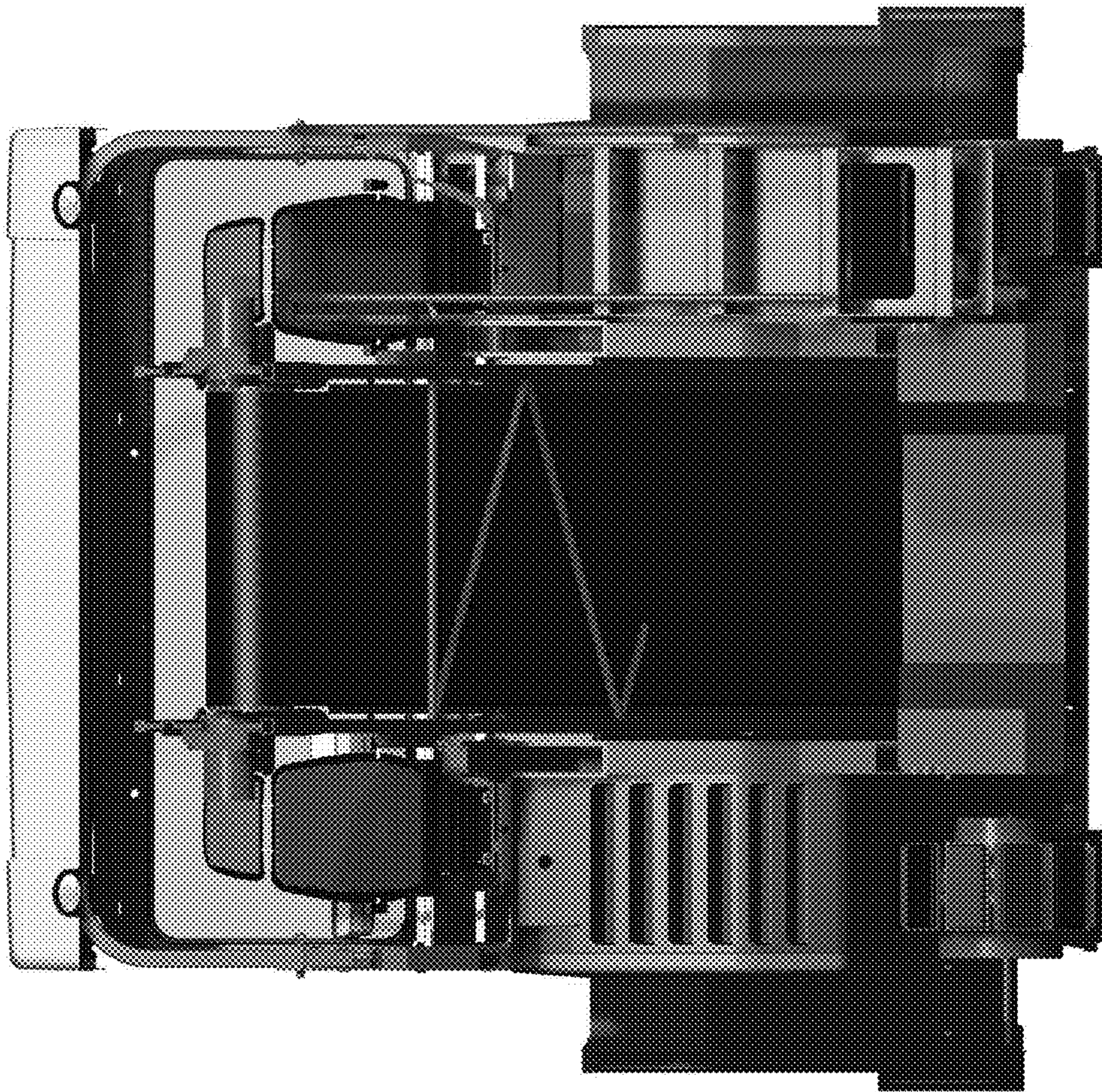


FIG 5

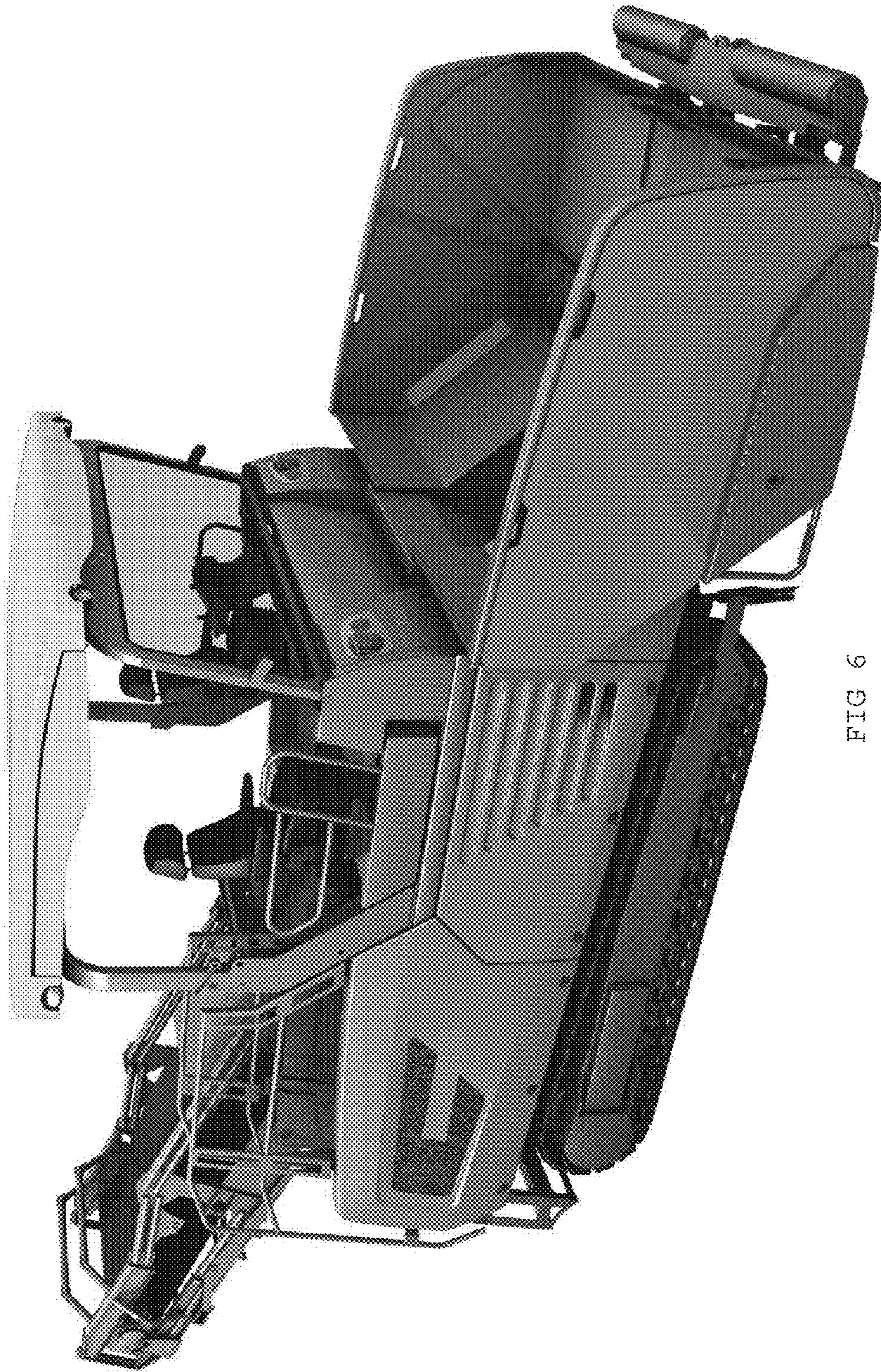


FIG 6

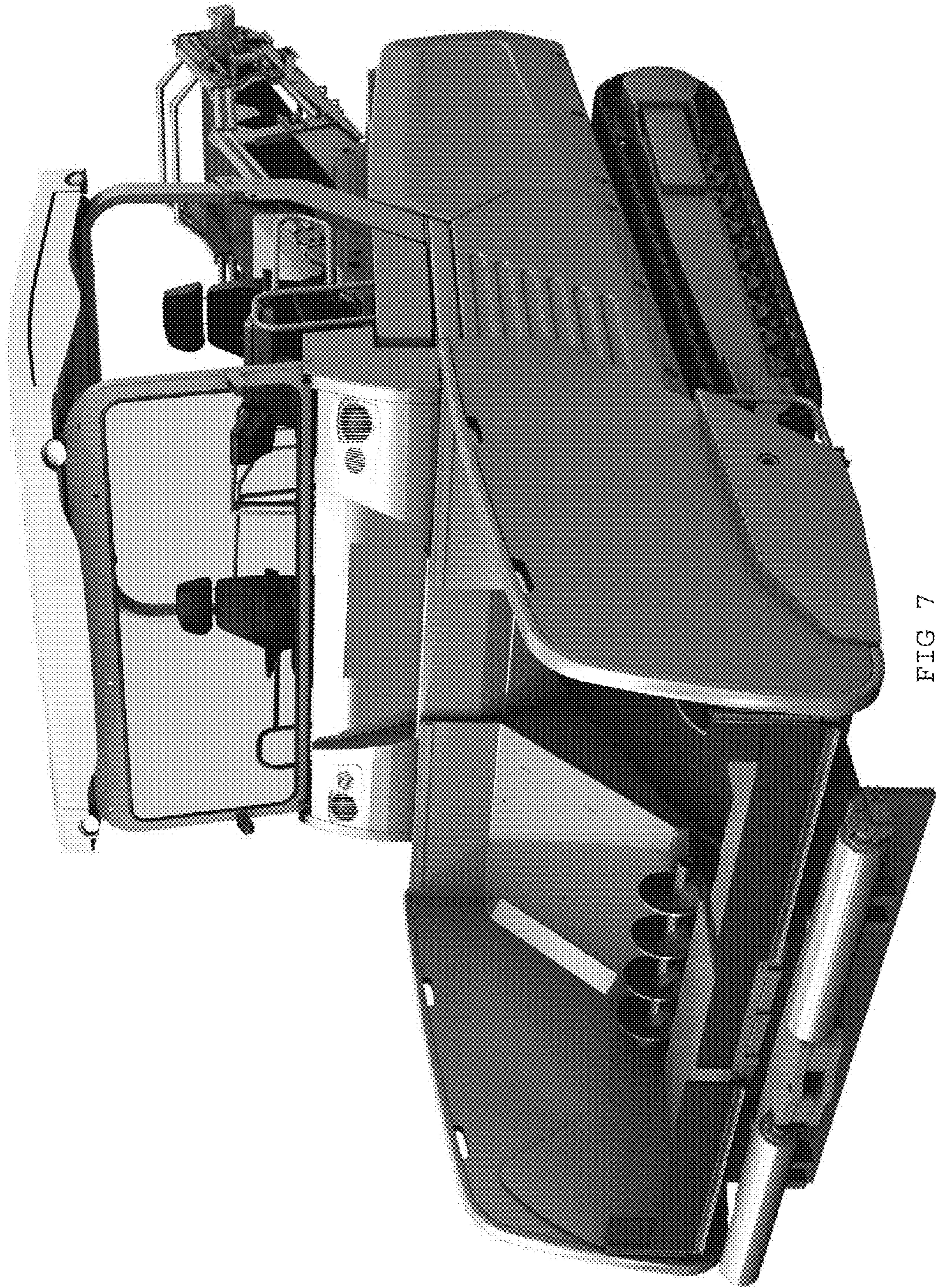


FIG 7



FIG 8

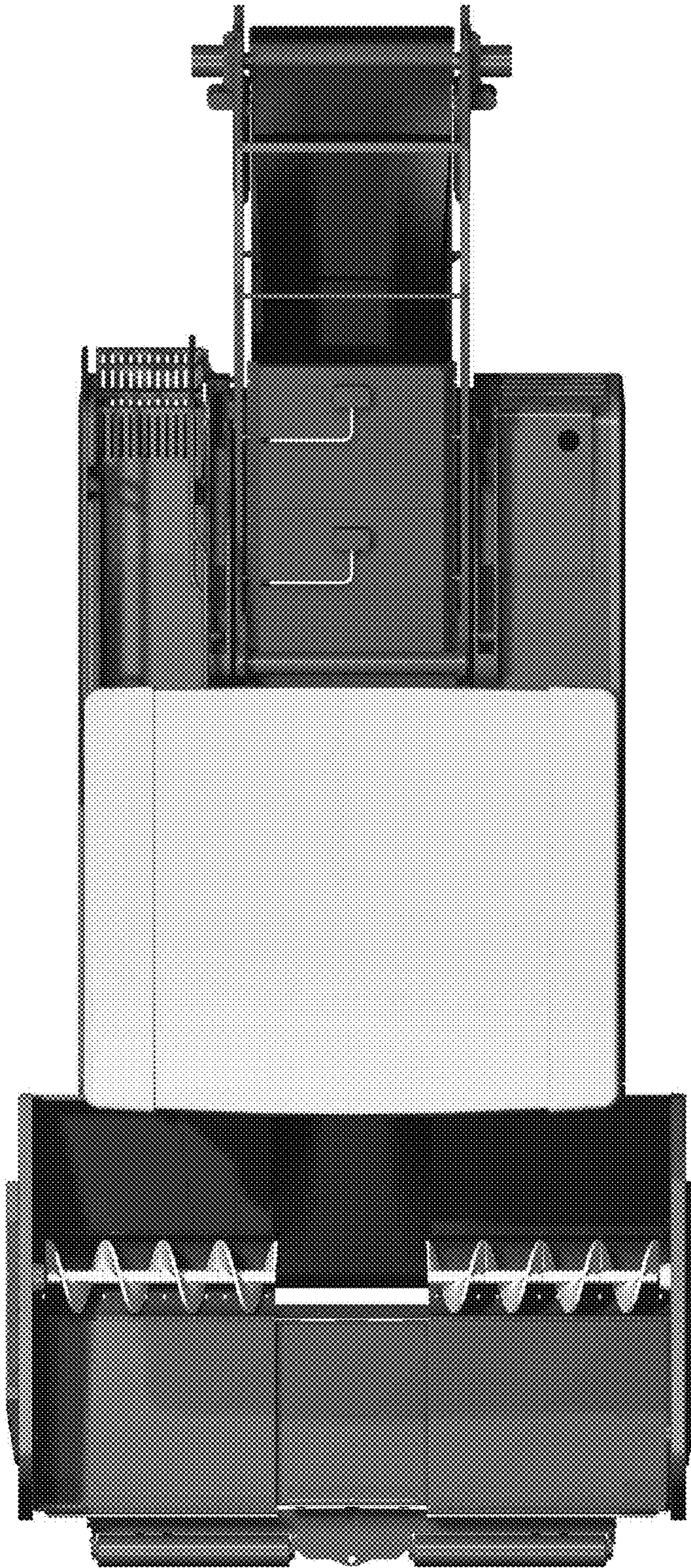


FIG 9