



US00D650395S

(12) **United States Design Patent**
Broker

(10) **Patent No.:** **US D650,395 S**

(45) **Date of Patent:** **** Dec. 13, 2011**

(54) **ULTRA LIGHT MINI DREDGE**

(76) Inventor: **Deborah Sue Broker**, Magalia, CA (US)

(**) Term: **14 Years**

(21) Appl. No.: **29/314,023**

(22) Filed: **Feb. 27, 2009**

(51) **LOC (9) Cl.** **15-03**

(52) **U.S. Cl.** **D15/21**

(58) **Field of Classification Search** D15/10,
D15/21, 147; D12/300, 316; 37/334, 336,
37/317, 318; 209/44, 268, 420, 17, 158,
209/160, 208, 506
See application file for complete search history.

4,352,251	A *	10/1982	Sloan	37/323
D268,832	S *	5/1983	Albright et al.	D12/300
4,472,269	A *	9/1984	Swick	209/44
4,822,106	A *	4/1989	Wilson et al.	299/9
4,826,251	A	5/1989	Balkus		
5,255,787	A *	10/1993	Sims	209/17
5,285,587	A	2/1994	Krenzler		
D377,182	S *	1/1997	Simpson	D15/147
5,896,997	A *	4/1999	Tanner	209/269
6,799,681	B1 *	10/2004	Warren	209/44
7,591,088	B1 *	9/2009	Schuh et al.	37/311
2003/0230009	A1 *	12/2003	Chesner et al.	37/345
2004/0010947	A1 *	1/2004	Hutchinson et al.	37/317

* cited by examiner

Primary Examiner — Mark Goodwin

(57)

CLAIM

The ornamental design for a ultra light mini dredge, as shown and described.

DESCRIPTION

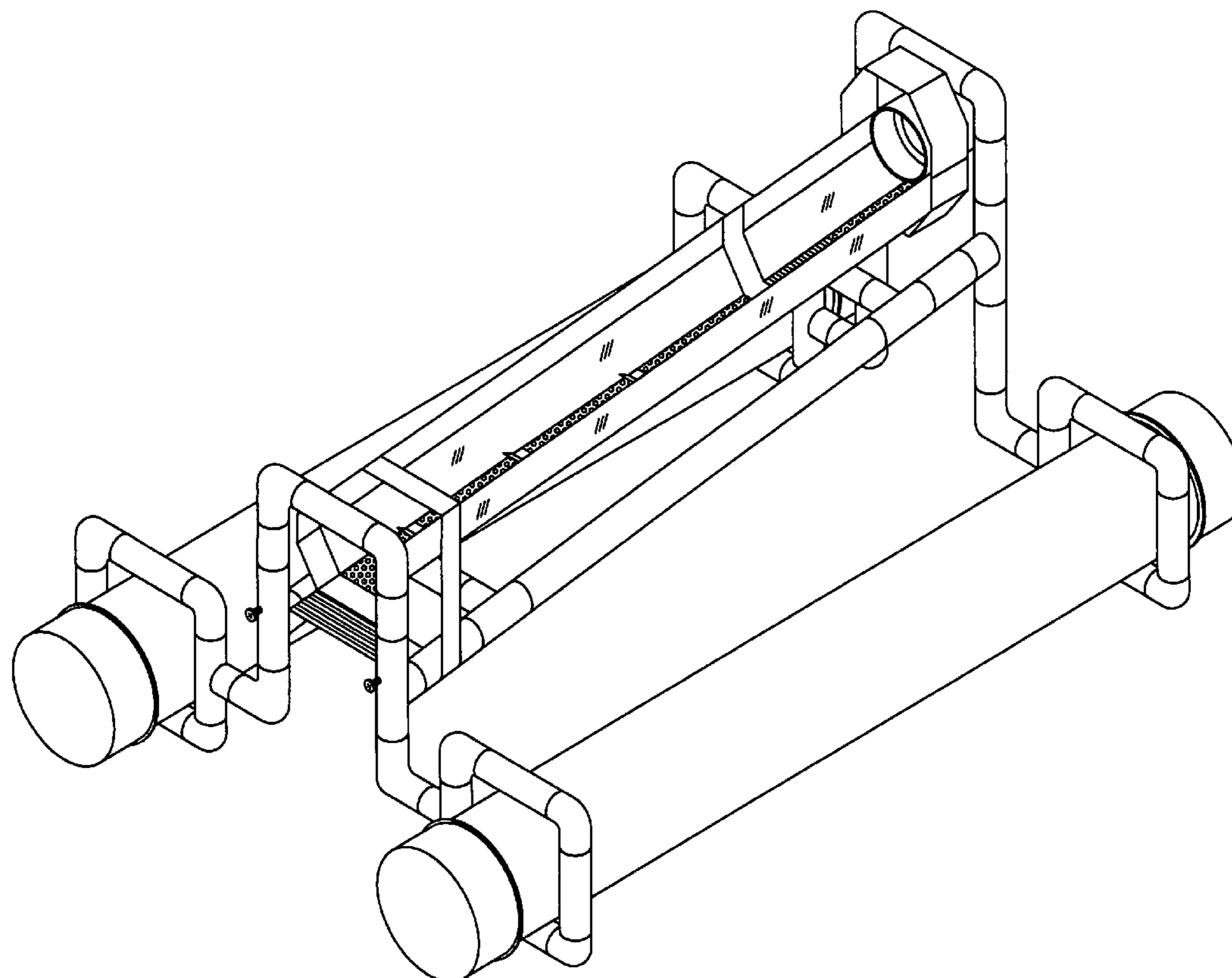
FIG. 1 is a perspective view of a ultra light mini dredge showing my new design;
FIG. 2 is a front view thereof;
FIG. 3 is a rear view thereof;
FIG. 4 is a right side view thereof; the left side view being a mirror image thereof;
FIG. 5 is a top plan view thereof; and,
FIG. 6 is a bottom plan view thereof.

1 Claim, 6 Drawing Sheets

(56) **References Cited**

U.S. PATENT DOCUMENTS

80,225	A	7/1868	Robertson		
885,930	A	4/1908	Lake		
2,174,925	A	10/1939	McKeever		
3,161,438	A	12/1964	Novak		
D208,836	S *	10/1967	Talbot	D12/300
3,893,249	A	7/1975	Wolters		
3,950,246	A	4/1976	Klefisch		
4,289,355	A	9/1981	Rose		
D263,836	S *	4/1982	Read	D15/147
4,346,937	A *	8/1982	Latimer et al.	299/8



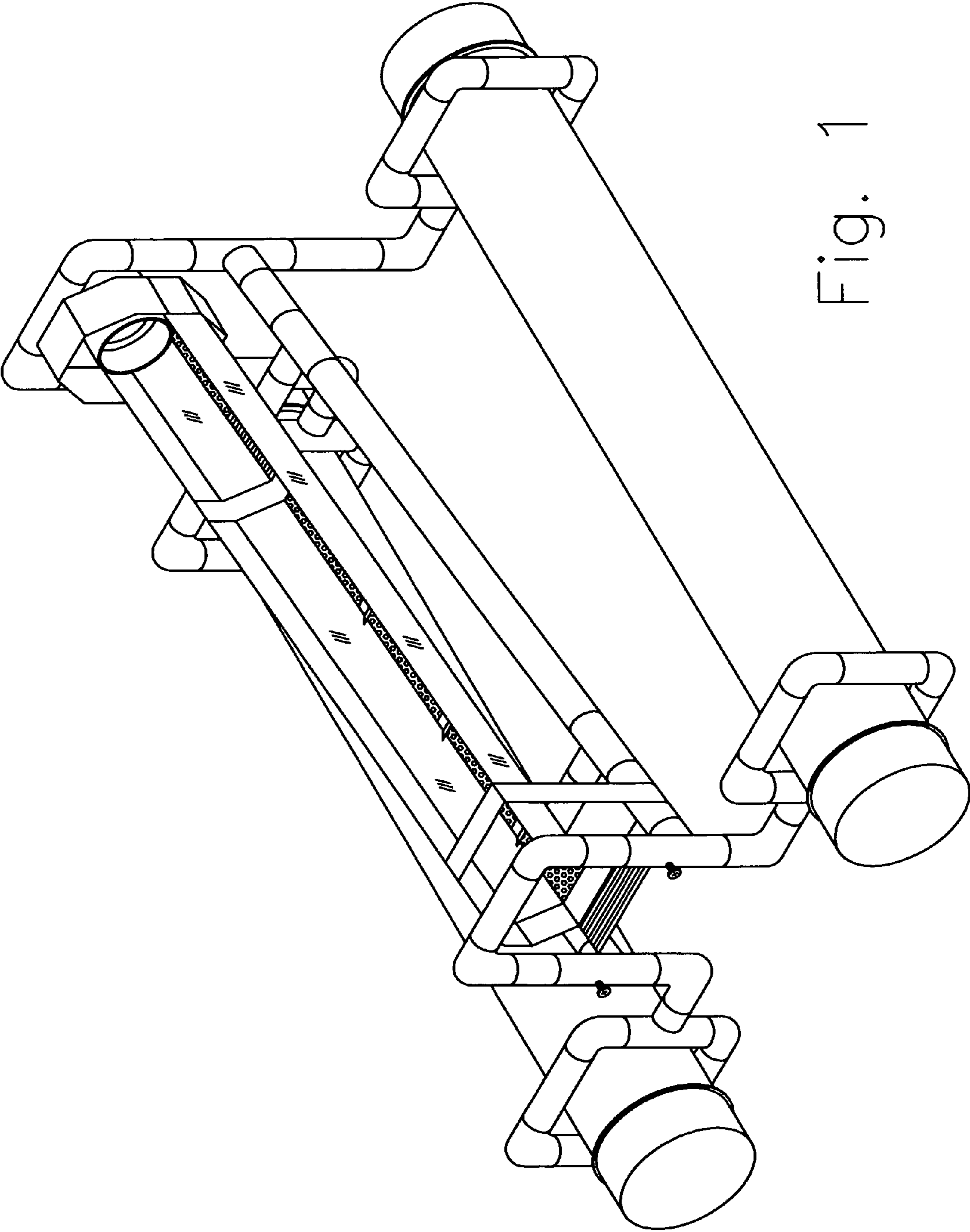


Fig. 1

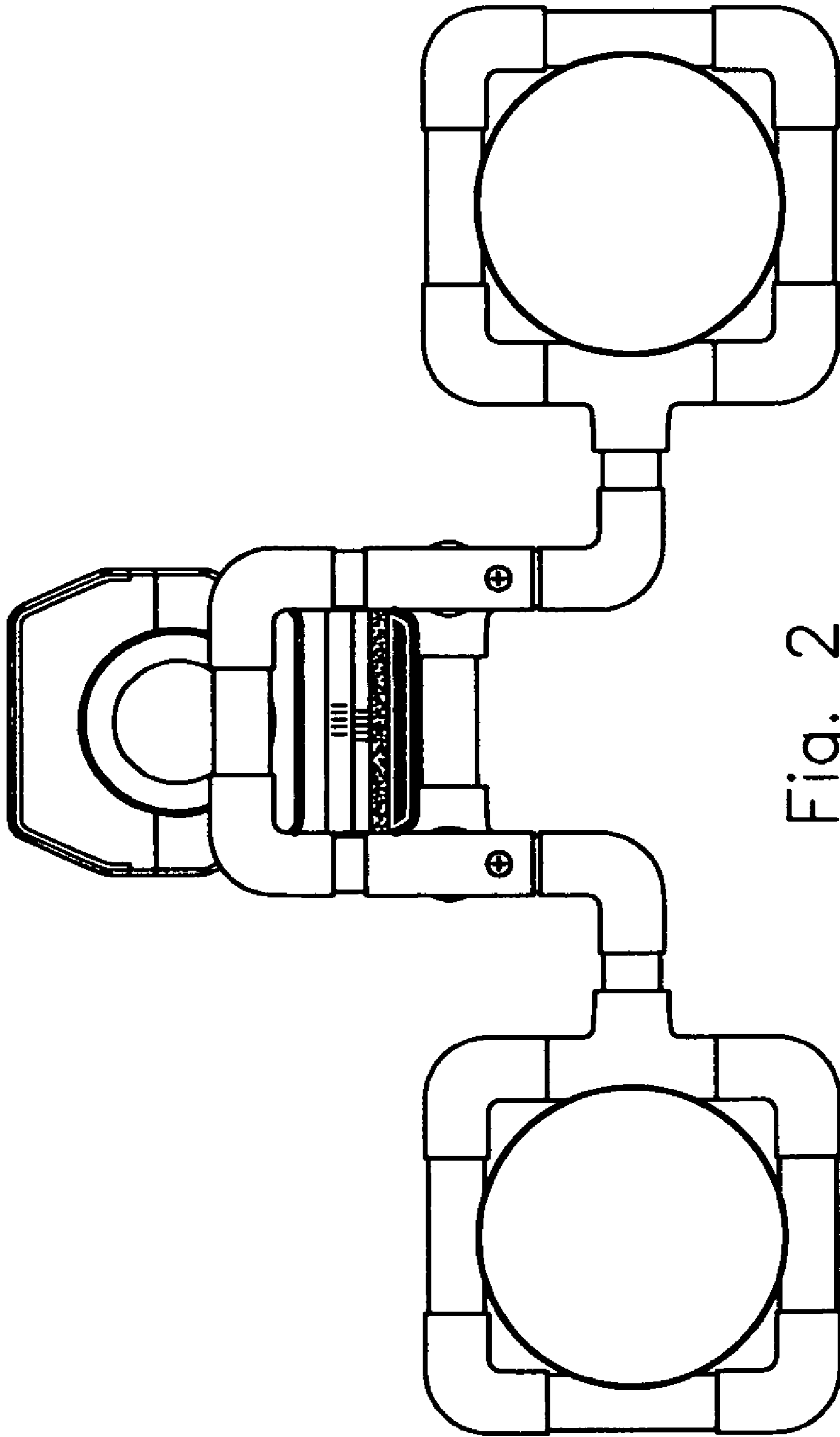


Fig. 2

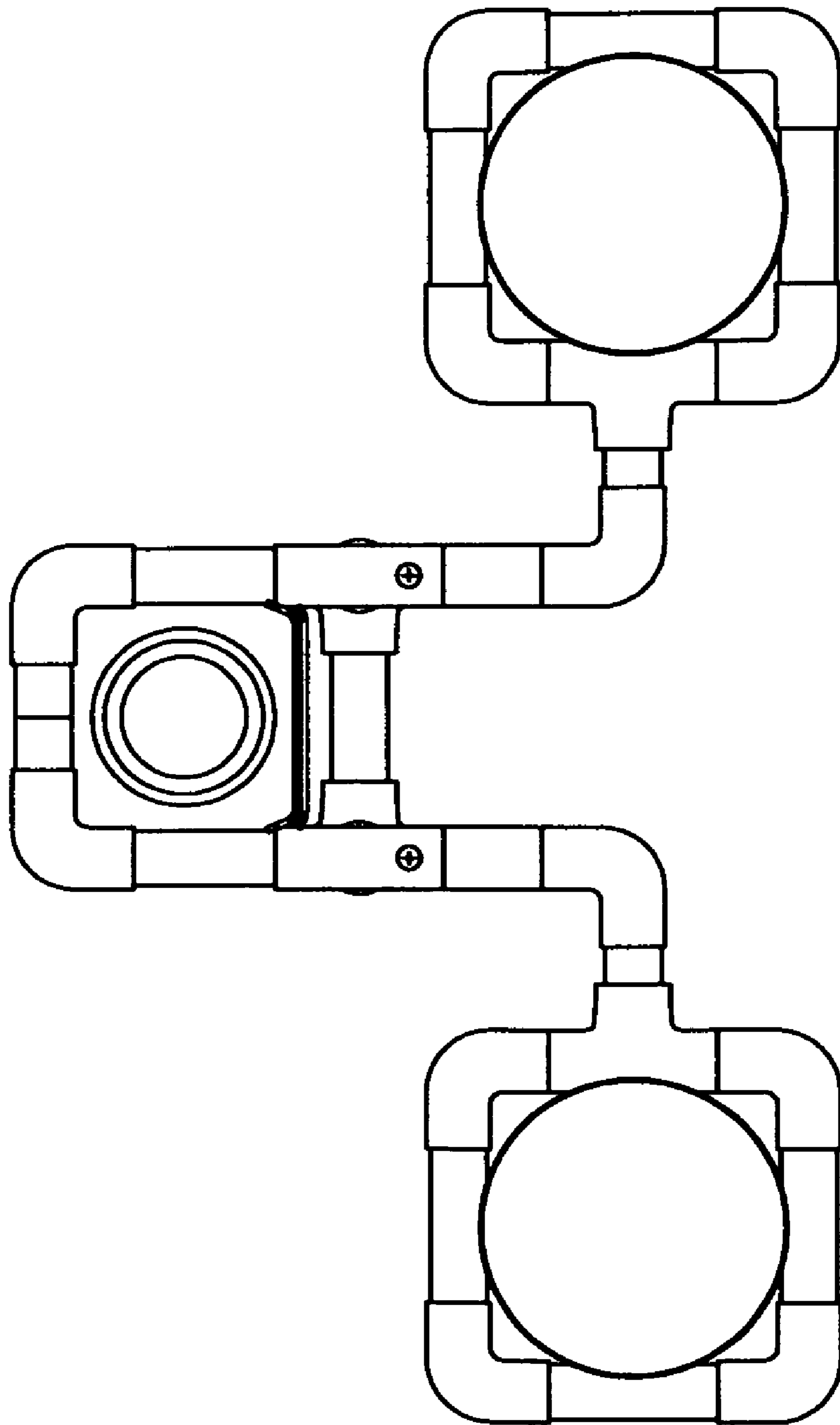


Fig. 3

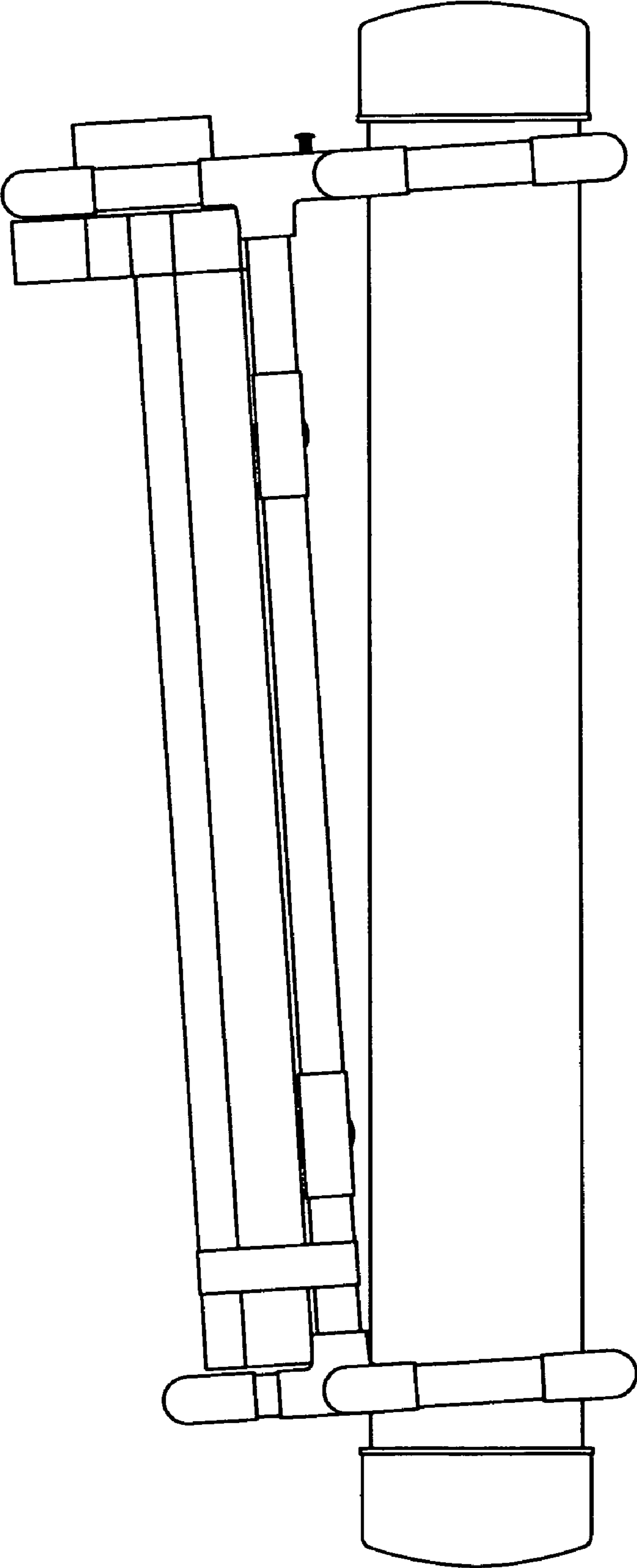


Fig. 4

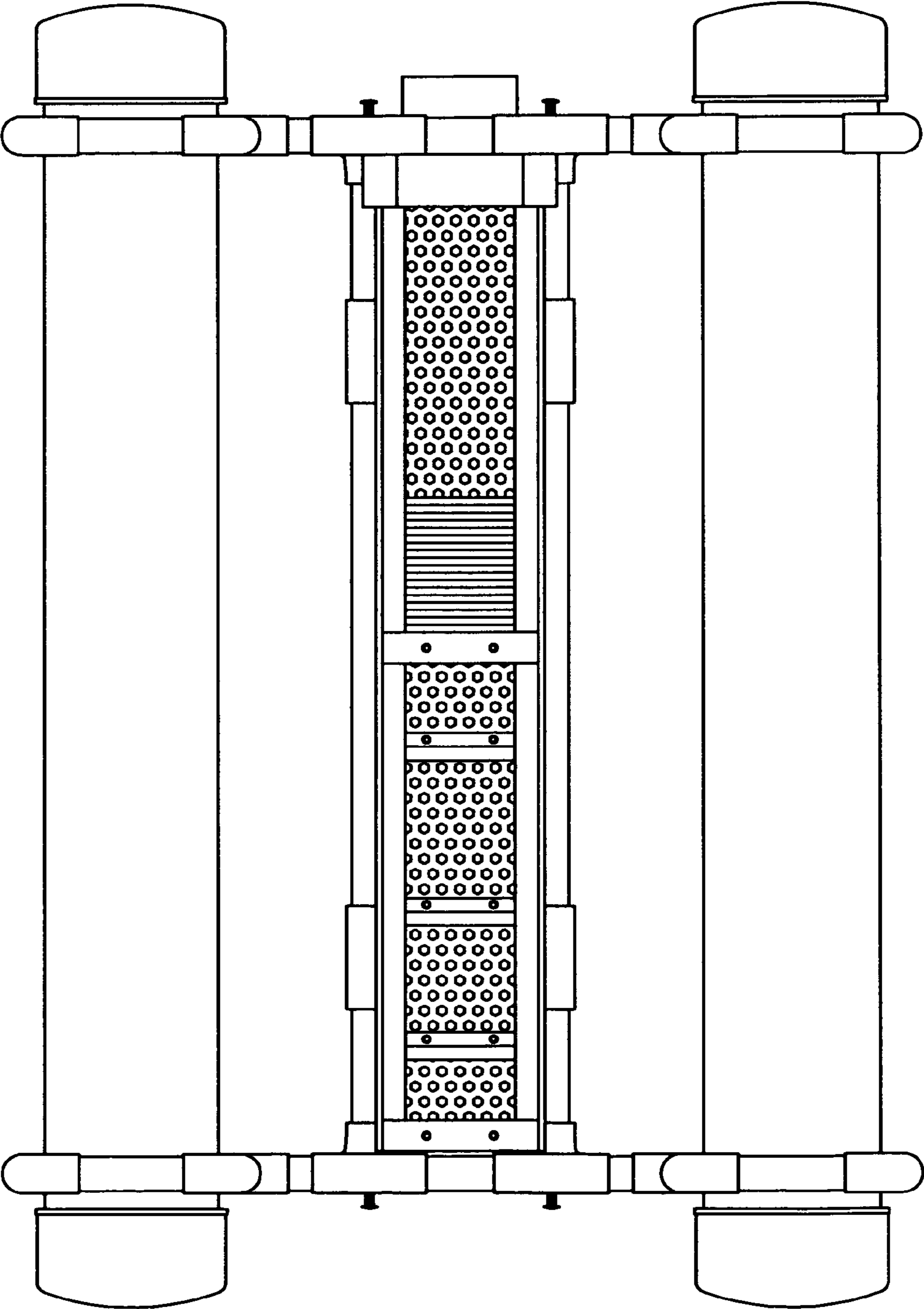


Fig. 5

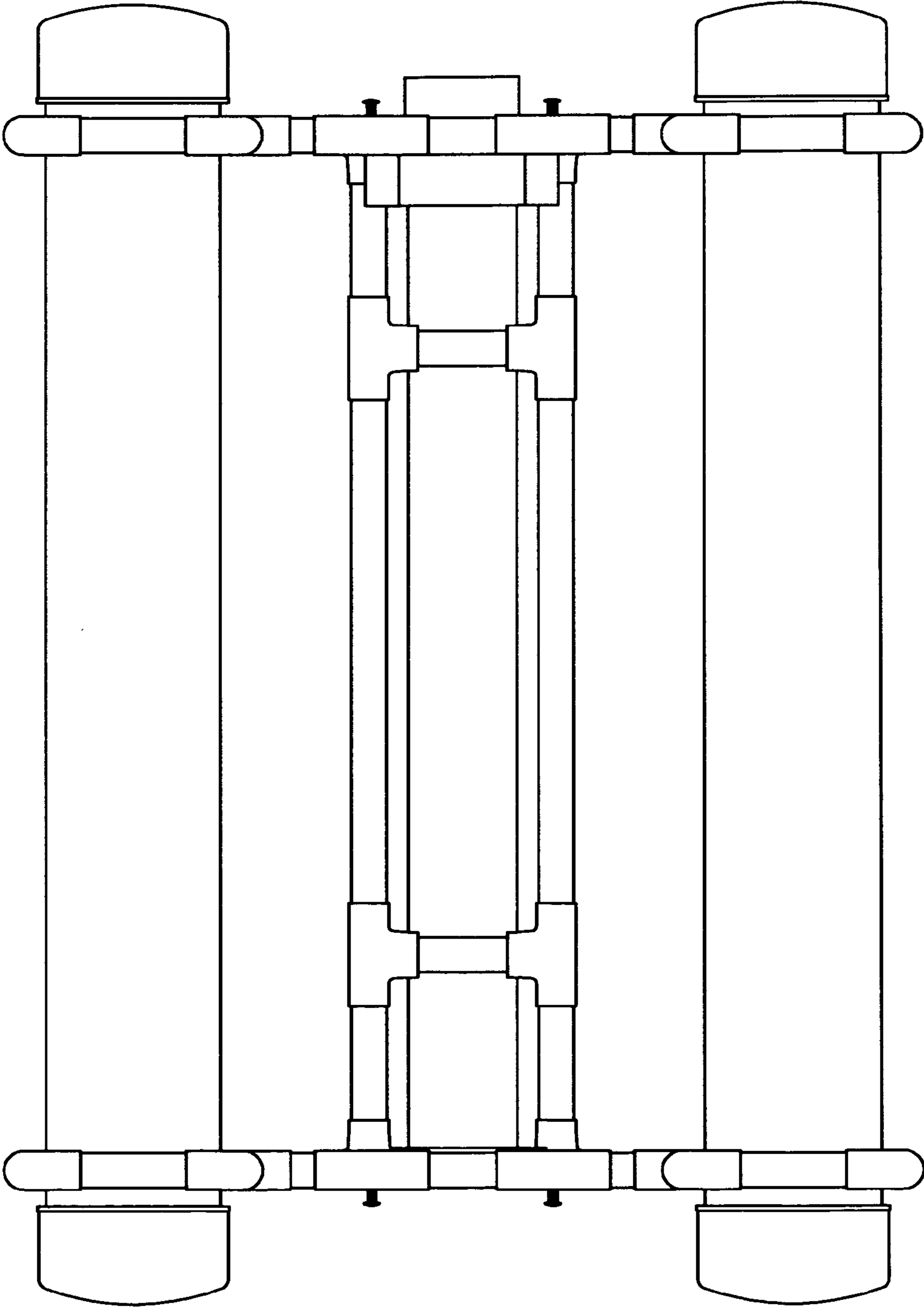


Fig. 6