



US00D650394S

(12) **United States Design Patent**
Seoc et al.

(10) **Patent No.:** **US D650,394 S**

(45) **Date of Patent:** **** Dec. 13, 2011**

(54) **MULTIMEDIA PLAYER**

(75) Inventors: **Ho-Young Seoc**, Kyunggi-do (KR);
Hyung-Sup Shim, Seoul (KR);
Eun-Young Kim, Kyunggi-do (KR)

(73) Assignee: **Samsung Electronics Co., Ltd.**, Suwon,
Kyunggi-Do (KR)

(**) Term: **14 Years**

(21) Appl. No.: **29/373,313**

(22) Filed: **Mar. 29, 2011**

(30) **Foreign Application Priority Data**

Dec. 6, 2010 (KR) 30-2010-0052653

(51) **LOC (9) Cl.** **14-03**

(52) **U.S. Cl.** **D14/496**

(58) **Field of Classification Search** D14/496,
D14/401, 435, 474, 483, 217, 137, 138, 160,
D14/168, 356, 203.1-203.8, 507; 345/156,
345/169, 173-179, 905; 715/727-729, 864;
710/1, 5, 8; 713/1, 600; 455/1.1, 1.7, 73,
455/344-347, 93, 95, 3.01-3.06, 550.1, 573.1;
370/342-344; 369/1, 2, 6-12; 463/43-47;
273/148 B

See application file for complete search history.

(56) **References Cited**

U.S. PATENT DOCUMENTS

5,914,707 A * 6/1999 Kono 345/173
D637,203 S 1/2001 Kim
6,178,087 B1 * 1/2001 Cho et al. 361/679.23
6,821,204 B2 * 11/2004 Aonuma et al. 463/32
6,908,387 B2 * 6/2005 Hedrick et al. 463/31
6,955,606 B2 * 10/2005 Taho et al. 463/43
D519,960 S 5/2006 Kwon et al.
D519,962 S 5/2006 Kim et al.
D519,963 S 5/2006 Lim et al.

D520,478 S 5/2006 Kwon et al.
D520,479 S 5/2006 Kwon et al.
D520,480 S 5/2006 Kwon et al.
D520,481 S 5/2006 Lim et al.
D520,973 S 5/2006 Kwon et al.
D520,974 S 5/2006 Lim
D520,975 S 5/2006 Kim et al.
D521,965 S 5/2006 Ko et al.
D521,966 S 5/2006 Kim et al.
D521,967 S 5/2006 Lim
D522,986 S 6/2006 Kwon et al.
D523,832 S 6/2006 Kwon et al.
D525,958 S 8/2006 Kwon et al.
D526,294 S 8/2006 Kwon et al.
D526,979 S 8/2006 Lim

(Continued)

OTHER PUBLICATIONS

U.S. Appl. No. 29/372,108, Applicant: Ju-Won Cho, filed Oct. 15, 2010 entitled Blu-Ray Disk Player.

Primary Examiner — Prabhakar Deshmukh

(74) *Attorney, Agent, or Firm* — Flynn, Thiel, Boutell & Tanis

(57) **CLAIM**

The ornamental design for a multimedia player, as shown and described.

DESCRIPTION

FIG. 1 is a top front perspective view of a multimedia player showing our new design;

FIG. 2 is a front elevational view thereof;

FIG. 3 is a rear elevational view thereof;

FIG. 4 is a left side elevational view thereof;

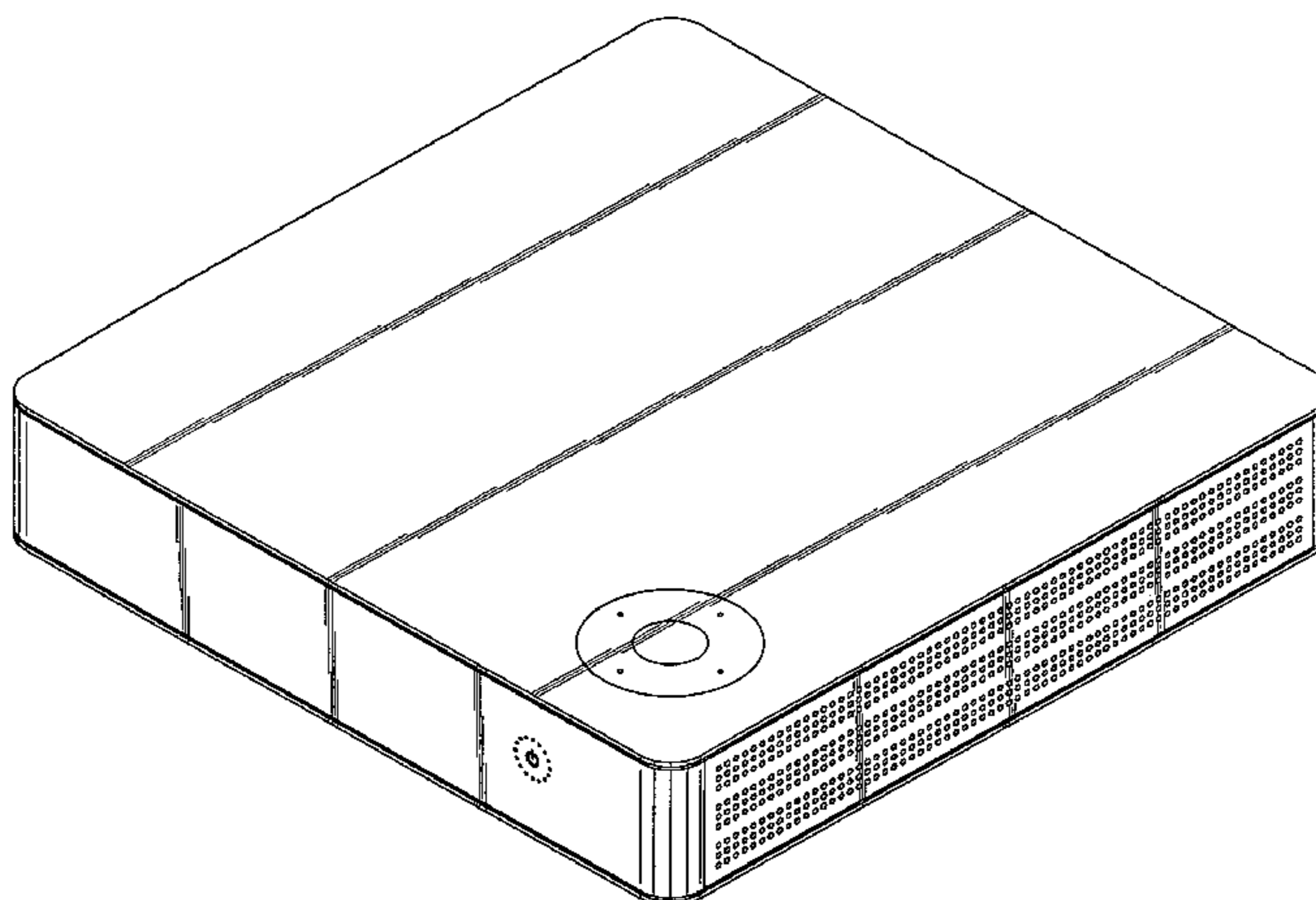
FIG. 5 is a right side elevational view thereof;

FIG. 6 is a top plan view thereof; and,

FIG. 7 is a bottom plan view thereof.

The broken lines indicate the disclaimed portions and form no part of the claimed design.

1 Claim, 4 Drawing Sheets



US D650,394 S

Page 2

U.S. PATENT DOCUMENTS

D526,980 S	8/2006	Kwon et al.	
D526,981 S	8/2006	Kim et al.	
7,090,582 B2 *	8/2006	Danieli et al.	463/35
D528,525 S	9/2006	Cho et al.	
D529,464 S	10/2006	Lim et al.	
D529,885 S	10/2006	Park et al.	
D530,692 S	10/2006	Lim et al.	
D530,693 S	10/2006	Park et al.	
D530,694 S	10/2006	Park	
D530,695 S	10/2006	Park	
D531,153 S	10/2006	Lim et al.	
D533,159 S	12/2006	Kim et al.	
D536,682 S	2/2007	Lim et al.	
D536,683 S	2/2007	Lim et al.	
D537,425 S	2/2007	Park	
D538,768 S	3/2007	Lim et al.	
D539,250 S	3/2007	Park	
D539,770 S	4/2007	Park	
D539,771 S	4/2007	Park	
D540,286 S	4/2007	Lim	
D541,811 S	5/2007	Park	
D551,198 S	9/2007	Kim	
D552,053 S	10/2007	Kim	
D553,109 S	10/2007	Kim et al.	
D560,179 S	1/2008	Cho et al.	
D560,180 S	1/2008	Park et al.	
D560,181 S	1/2008	Park	
D560,182 S	1/2008	Park	
D560,627 S	1/2008	Park et al.	
D560,689 S	1/2008	Cho	
D561,141 S	2/2008	Cho et al.	
D563,433 S *	3/2008	Yu et al.	D14/496
D567,203 S	4/2008	Park	
D567,204 S	4/2008	Park	
D571,822 S *	6/2008	Madonna et al.	D14/496
D575,800 S *	8/2008	Kusano et al.	D14/496
D576,581 S	9/2008	Son et al.	
D578,091 S	10/2008	Cho et al.	
D587,281 S	2/2009	Kim et al.	
D587,282 S	2/2009	Kim et al.	
D594,875 S *	6/2009	Sheba et al.	D14/496
D595,736 S	7/2009	Son et al.	
D596,197 S	7/2009	Cho et al.	
D601,583 S *	10/2009	Andre et al.	D14/496
D603,868 S	11/2009	Cho et al.	
D612,869 S	3/2010	Cho et al.	
D612,870 S	3/2010	Cho et al.	
D613,308 S	4/2010	Cho et al.	
D613,309 S	4/2010	Cho et al.	
D615,994 S	5/2010	Chung et al.	
D617,813 S	6/2010	Cho	
D620,028 S	7/2010	Kim	
D620,953 S *	8/2010	Andre et al.	D14/496
D623,659 S	9/2010	Chung	
D624,559 S	9/2010	Chung	
D626,564 S	11/2010	Kim	
D630,228 S	1/2011	Kim	
D632,302 S	2/2011	Kim	
D632,303 S	2/2011	Kim	
D633,098 S	2/2011	Kim et al.	

* cited by examiner

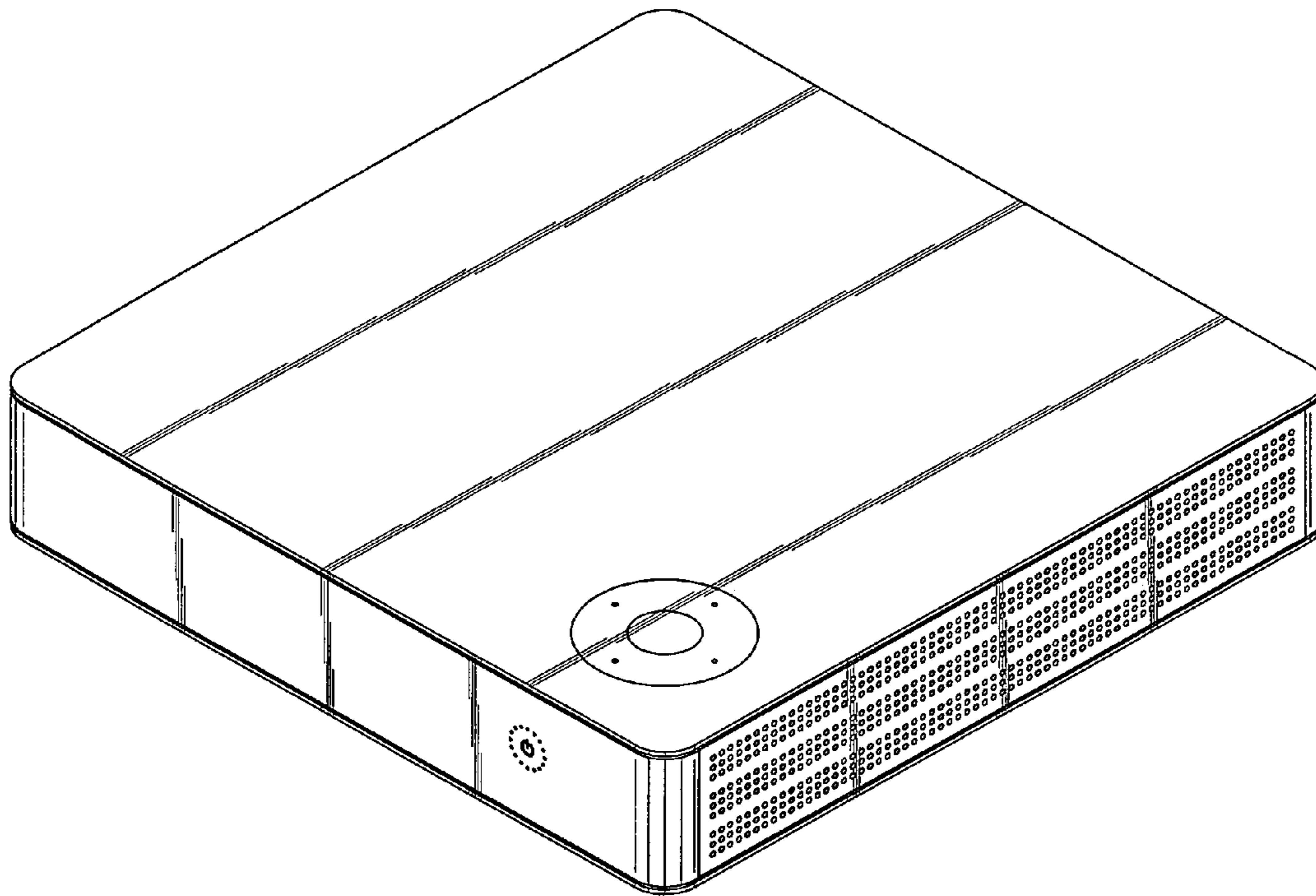


FIG.1

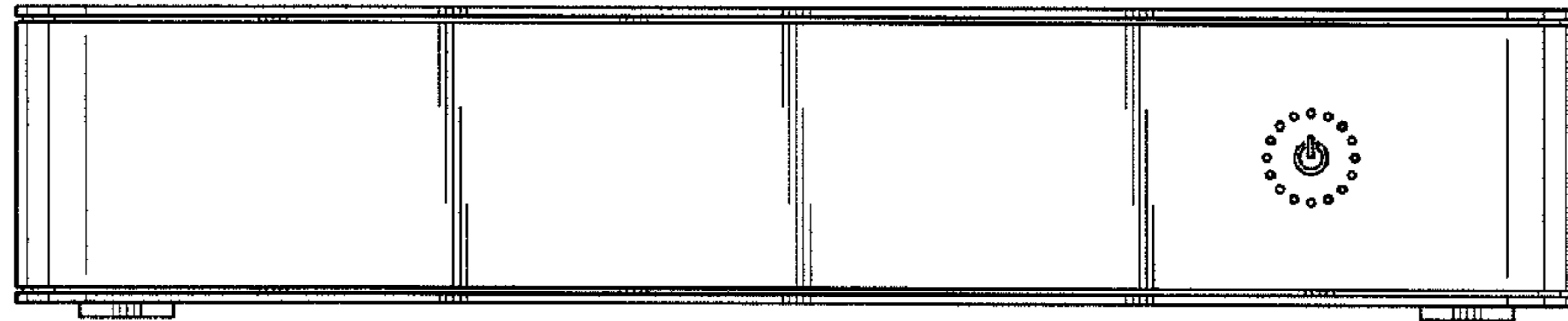


FIG. 2

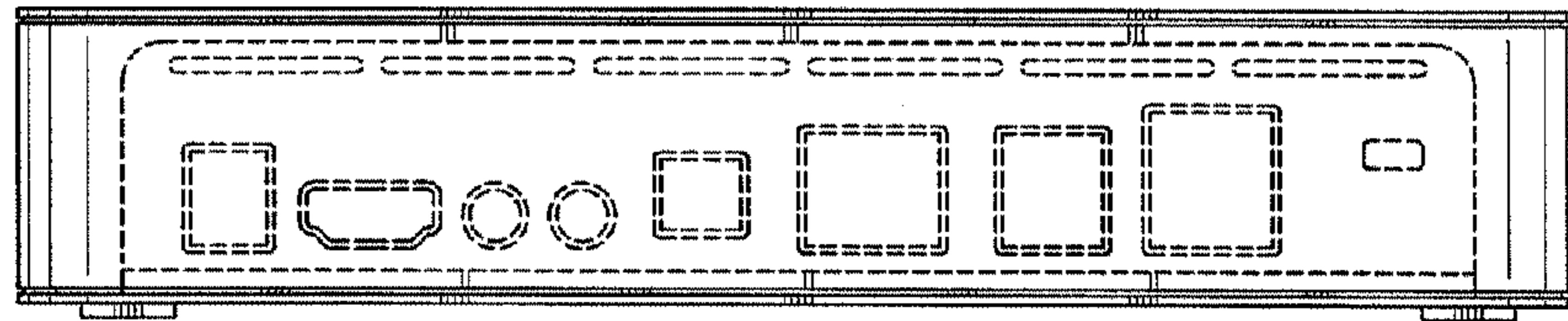


FIG. 3

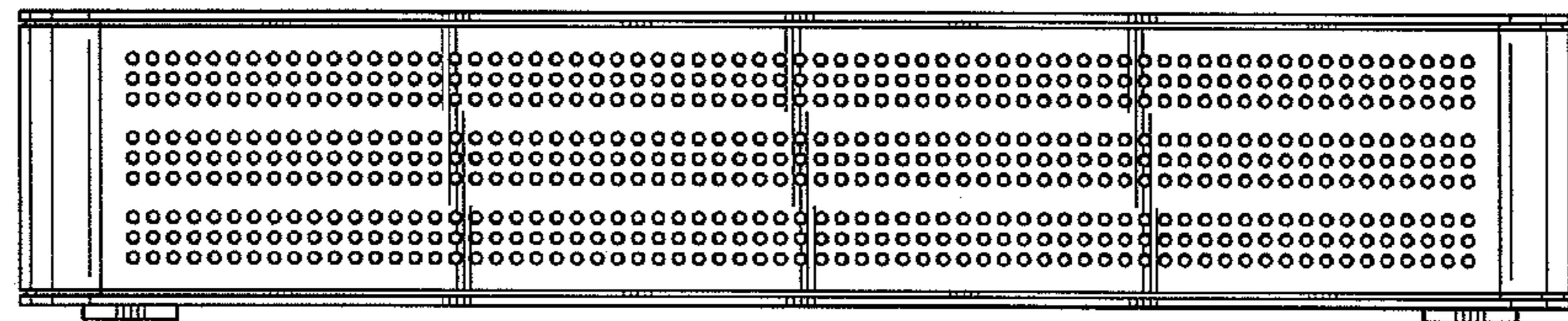


FIG. 4

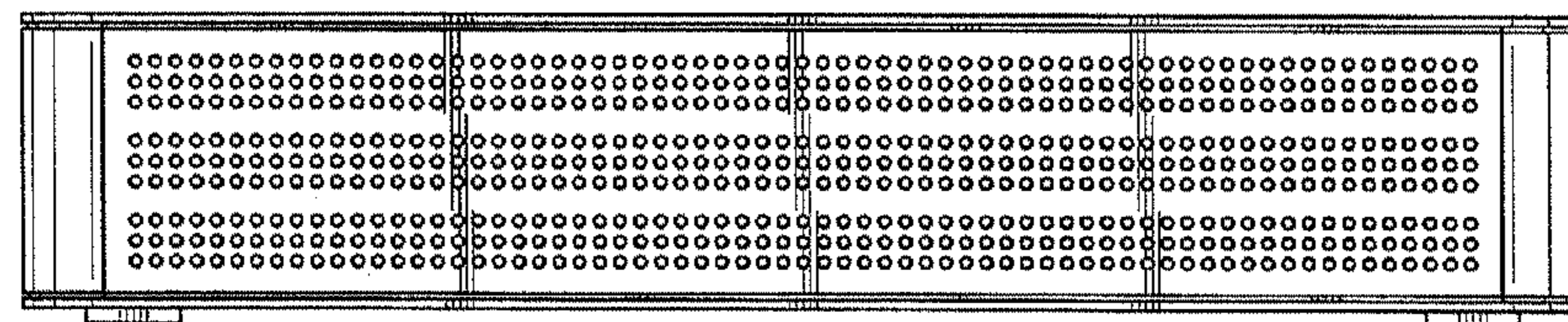


FIG. 5

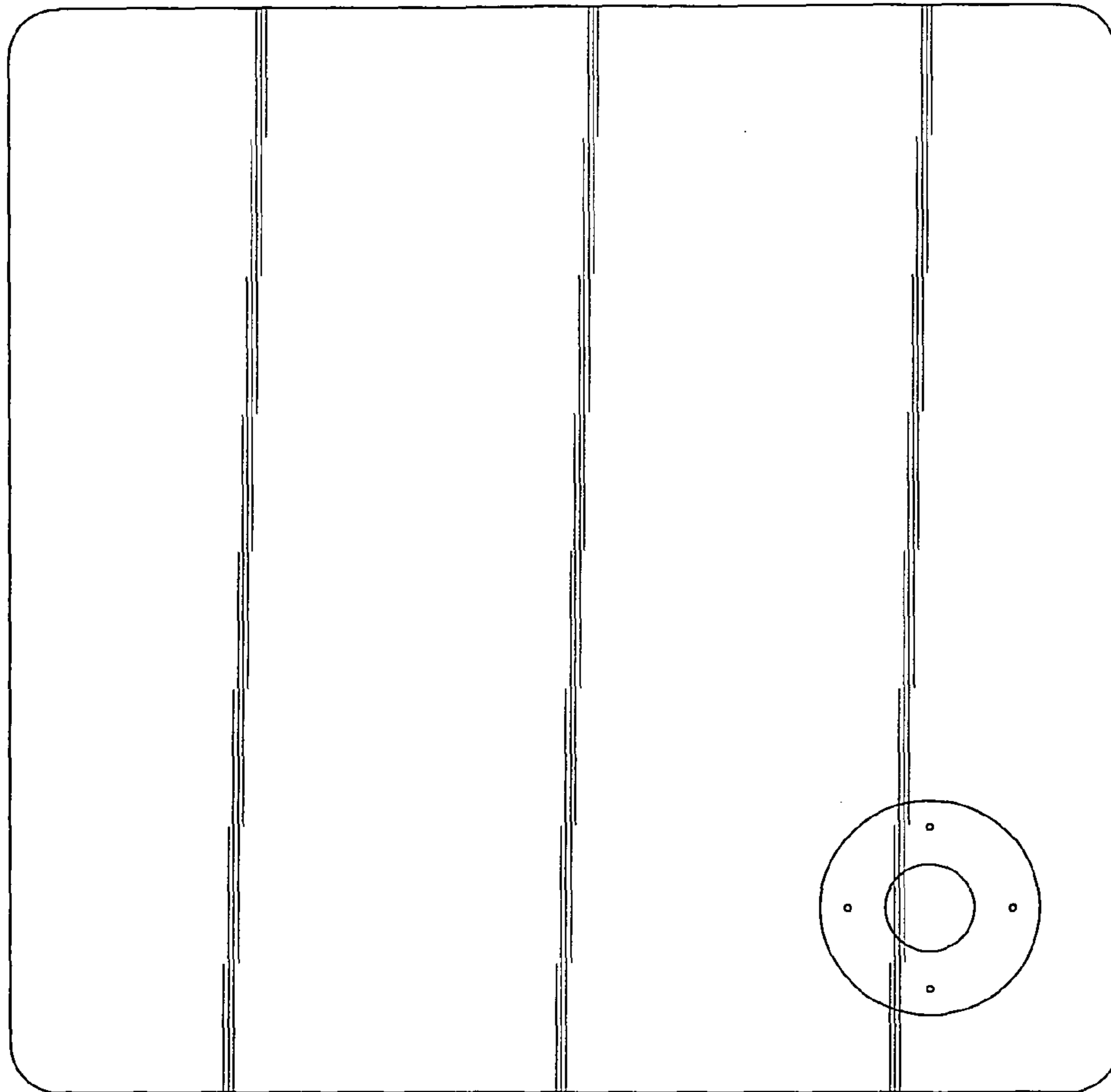


FIG.6

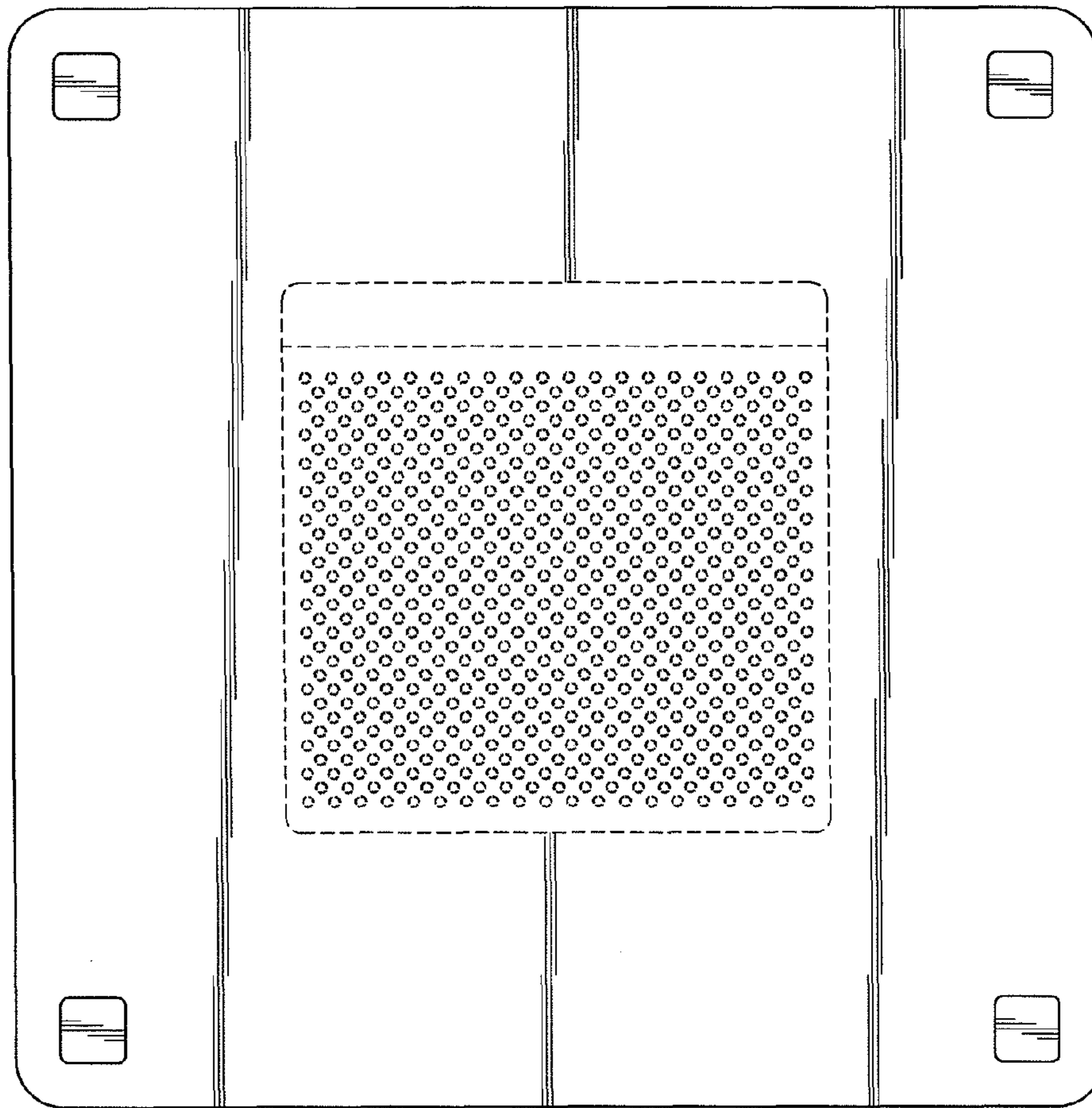


FIG.7