



US00D650388S

(12) **United States Design Patent**
Hidaka

(10) **Patent No.:** **US D650,388 S**

(45) **Date of Patent:** **** Dec. 13, 2011**

(54) **SCANNER**

(75) **Inventor:** **Masataka Hidaka**, Osaka (JP)

(73) **Assignee:** **Panasonic Corporation**, Osaka (JP)

(**) **Term:** **14 Years**

(21) **Appl. No.:** **29/354,226**

(22) **Filed:** **Jan. 21, 2010**

(51) **LOC (9) Cl.** **14-02**

(52) **U.S. Cl.** **D14/422**

(58) **Field of Classification Search** D14/420–425,
D14/462–470, 389, 125, 399; D18/50, 54,
D18/55, 53, 36–39, 14, 18–21, 49, 52, 51,
D18/54.4; 358/400, 401, 448, 474, 486–488,
358/496; 382/312, 317, 321, 315; 400/613,
400/613.1–613.4, 690.1–690.4, 691–694,
400/88, 175; 399/107, 379, 380, 211, 212;
235/462.11, 462.41, 472.01, 470, 462.43;
361/680, 681

See application file for complete search history.

(56) **References Cited**

U.S. PATENT DOCUMENTS

D260,903 S *	9/1981	Overman	D18/36
D279,780 S *	7/1985	Nishiwaki et al.	D14/463
D304,824 S	11/1989	Hara et al.		
D321,533 S *	11/1991	Gough	D15/146
D322,090 S *	12/1991	McClelland et al.	D18/55
D322,451 S *	12/1991	McClelland et al.	D18/55
D322,802 S *	12/1991	Hara	D18/55
D330,723 S *	11/1992	Mitsushima et al.	D18/55
D337,782 S *	7/1993	Kashiwabara	D18/55
D338,488 S *	8/1993	Itoh et al.	D18/55
D350,151 S *	8/1994	Sugawara et al.	D18/55
D358,603 S *	5/1995	Dodge et al.	D18/55
D363,924 S	11/1995	Ueda et al.		
D366,652 S	1/1996	Ichinose		
D372,733 S *	8/1996	Yoshida	D18/55
D373,380 S *	9/1996	Dwyer et al.	D18/55

D386,202 S *	11/1997	Takada	D18/55
D388,405 S	12/1997	Lin		
D389,861 S *	1/1998	Kobayashi et al.	D18/55
D419,973 S *	2/2000	Ueda	D14/434
D425,552 S *	5/2000	Kobayashi et al.	D18/54
D448,044 S *	9/2001	Wu et al.	D18/55
D448,771 S	10/2001	Fetherolf et al.		
D474,500 S *	5/2003	Ichiyoshi	D18/55
D497,944 S *	11/2004	Amemiya et al.	D18/55
D502,210 S *	2/2005	Katori et al.	D18/39
D511,776 S *	11/2005	Sakamoto	D14/421
D514,107 S	1/2006	Sugitani		
D518,826 S	4/2006	Chujou et al.		
D522,572 S *	6/2006	Lee et al.	D18/55
D523,069 S *	6/2006	Akahane et al.	D18/50
D532,451 S *	11/2006	Ito et al.	D18/55
D552,096 S *	10/2007	Sugitani et al.	D14/421
D555,722 S *	11/2007	Bae et al.	D18/55
D566,170 S *	4/2008	Yonekawa et al.	D18/55
D566,757 S *	4/2008	Yonekawa et al.	D18/55
D571,371 S	6/2008	Kuroda et al.		
D571,807 S	6/2008	Ogawa		
D573,145 S	7/2008	Laidlaw et al.		

(Continued)

Primary Examiner — Susan Moon Lee

(74) *Attorney, Agent, or Firm* — Brinks Hofer Gilson & Lione

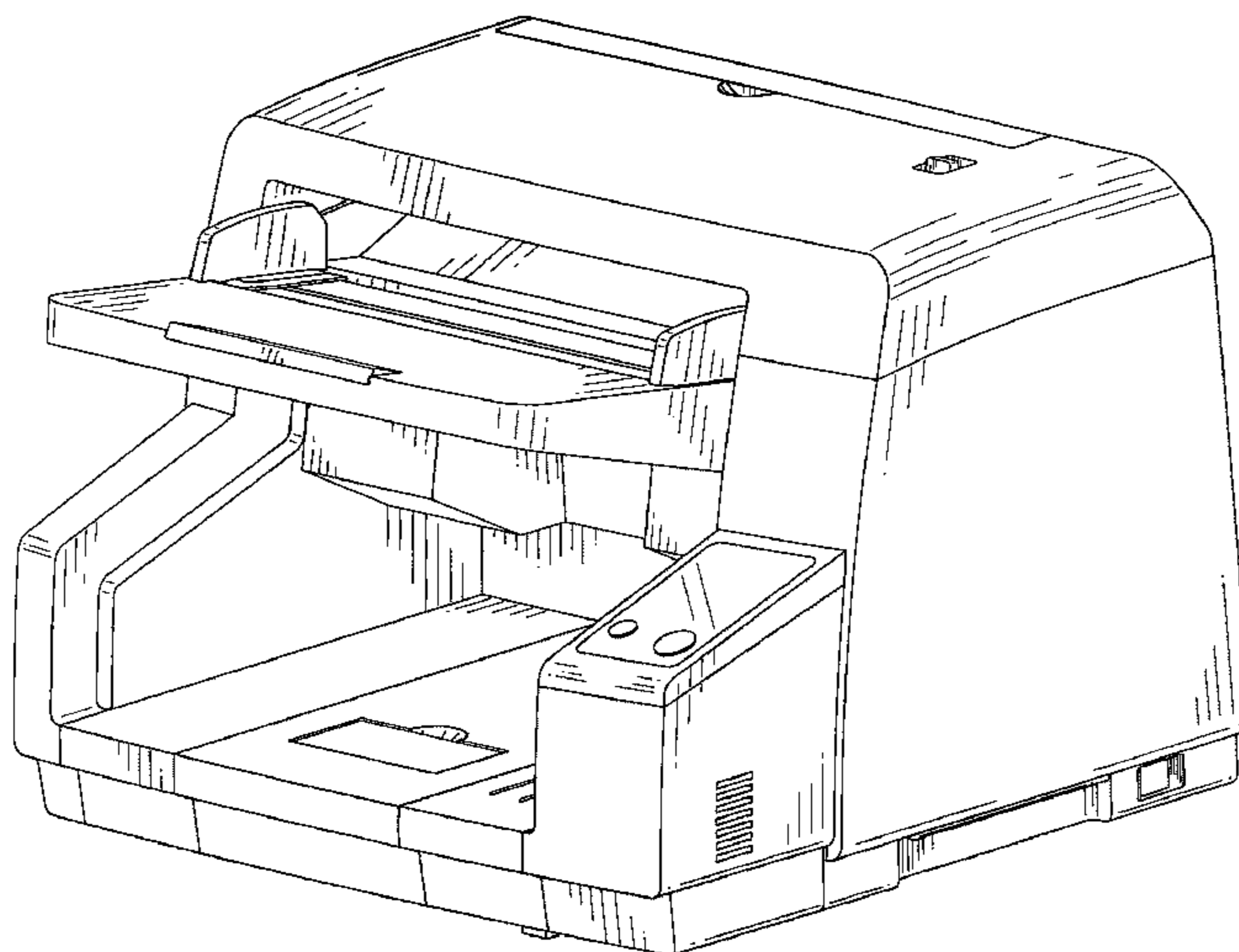
(57) **CLAIM**

I claim the ornamental design for a scanner, as shown and described.

DESCRIPTION

FIG. 1 is a front perspective view of a scanner of the present invention;
FIG. 2 is a front view thereof;
FIG. 3 is a rear view thereof;
FIG. 4 is a first side view thereof;
FIG. 5 is a second side view thereof;
FIG. 6 is a top view thereof; and,
FIG. 7 is a bottom view thereof.

1 Claim, 7 Drawing Sheets



US D650,388 S

Page 2

U.S. PATENT DOCUMENTS

D585,064 S	1/2009	Sugitani et al.		
D599,848 S	* 9/2009	Suzuki et al.	D18/55	
D603,863 S	* 11/2009	Sugitani et al.	D14/421	* cited by examiner
D619,646 S	* 7/2010	Brown et al.	D18/49	
D626,587 S	* 11/2010	Ishio et al.	D18/39	

FIG.1

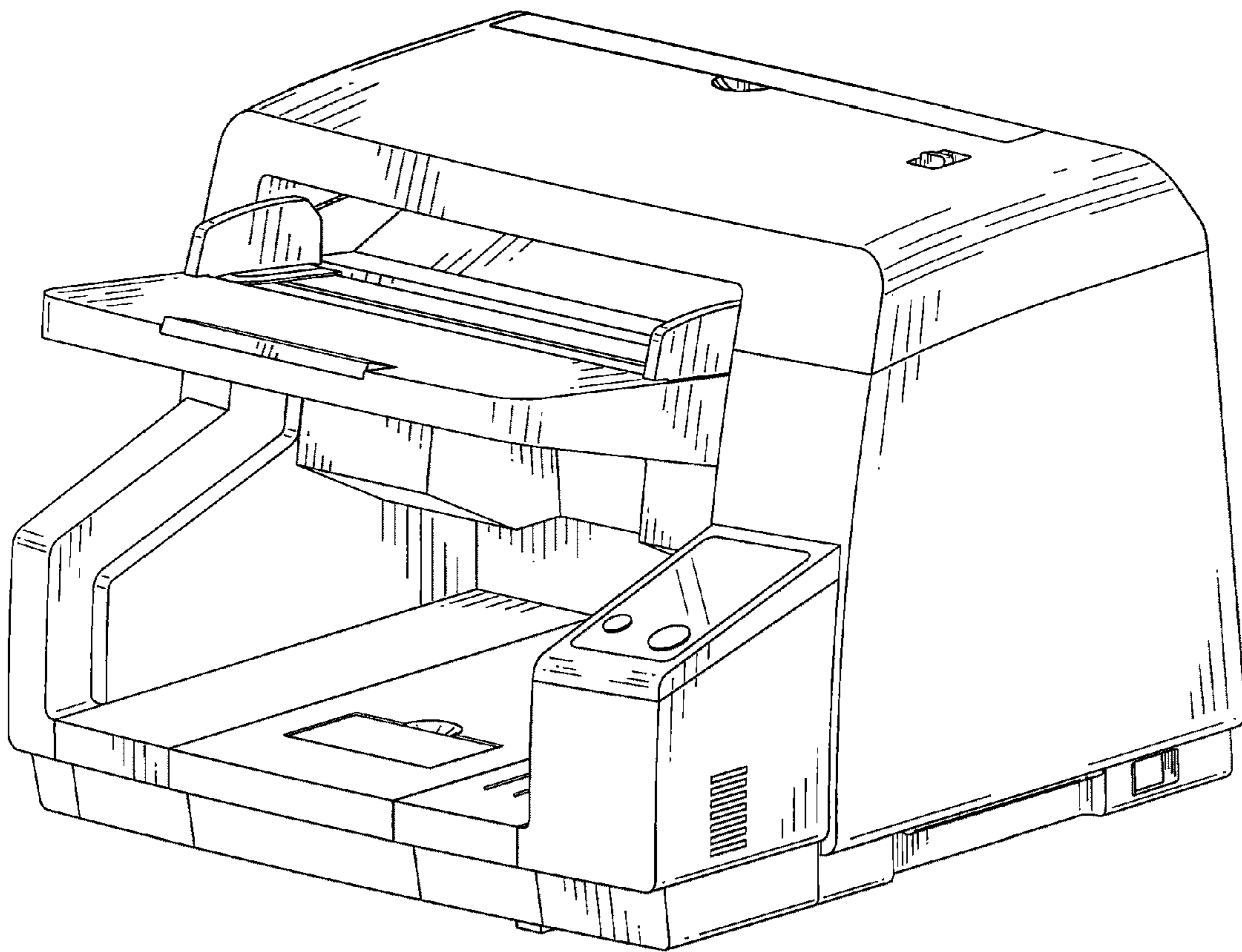


FIG.2

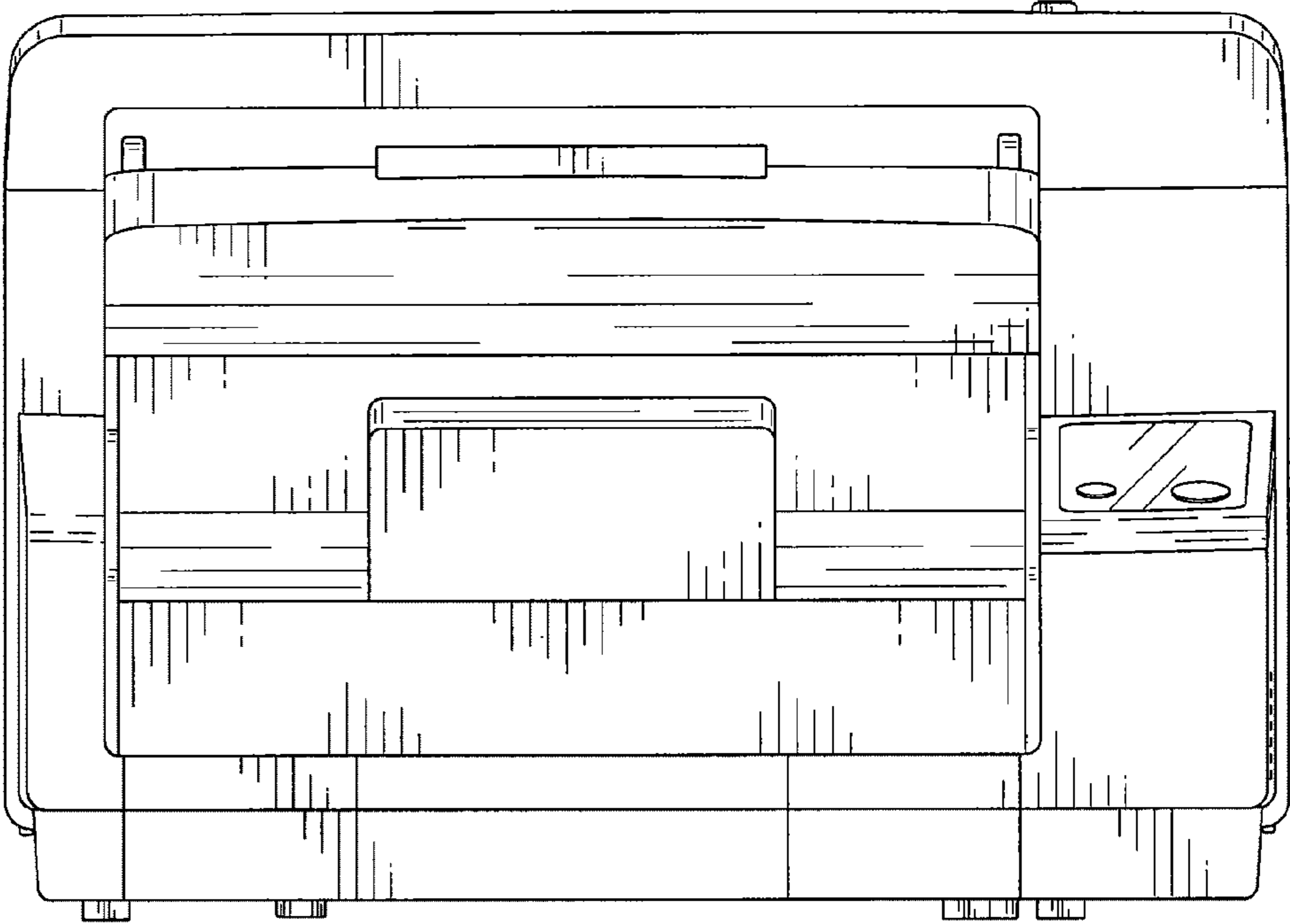


FIG.3

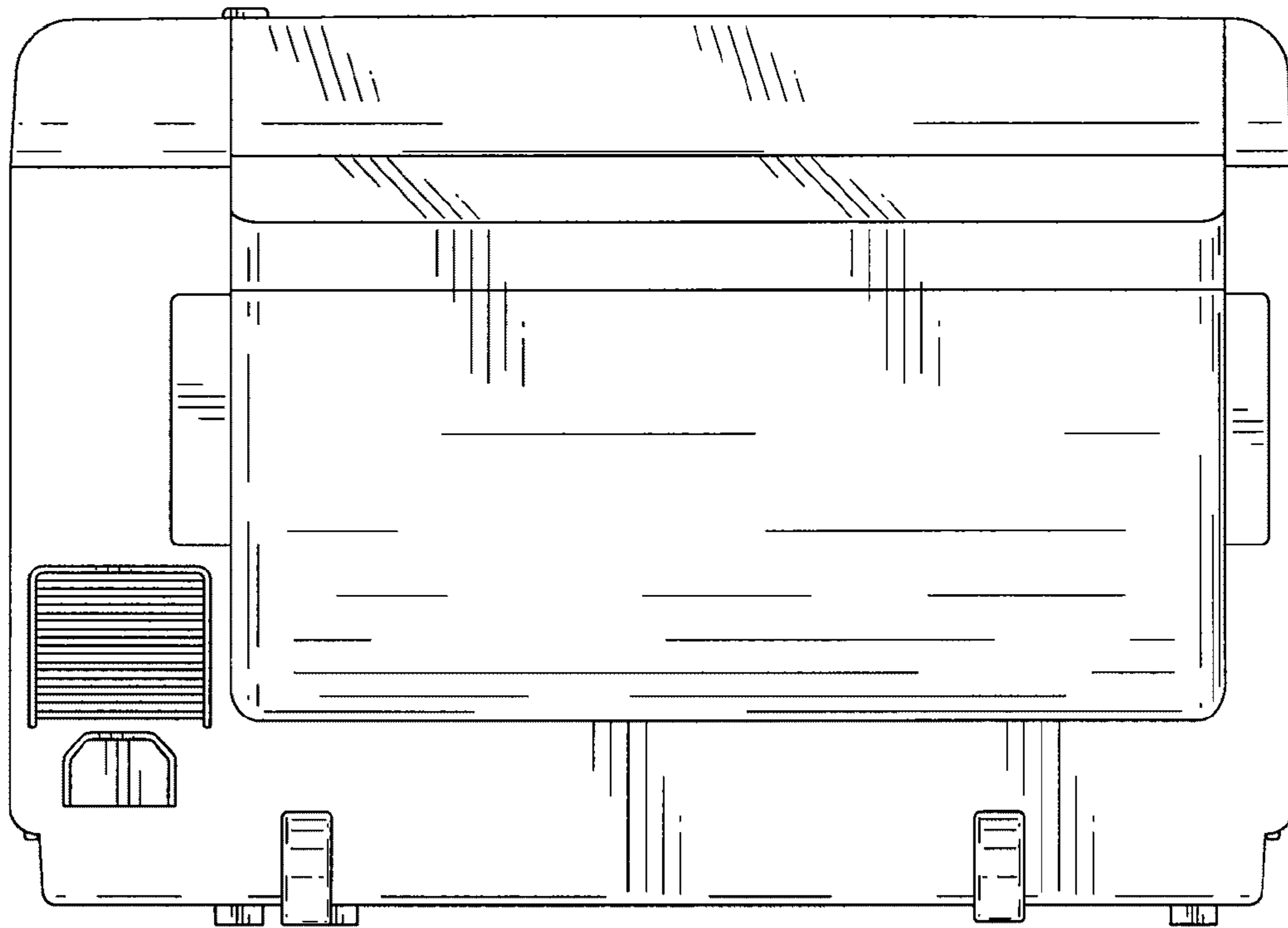


FIG.4

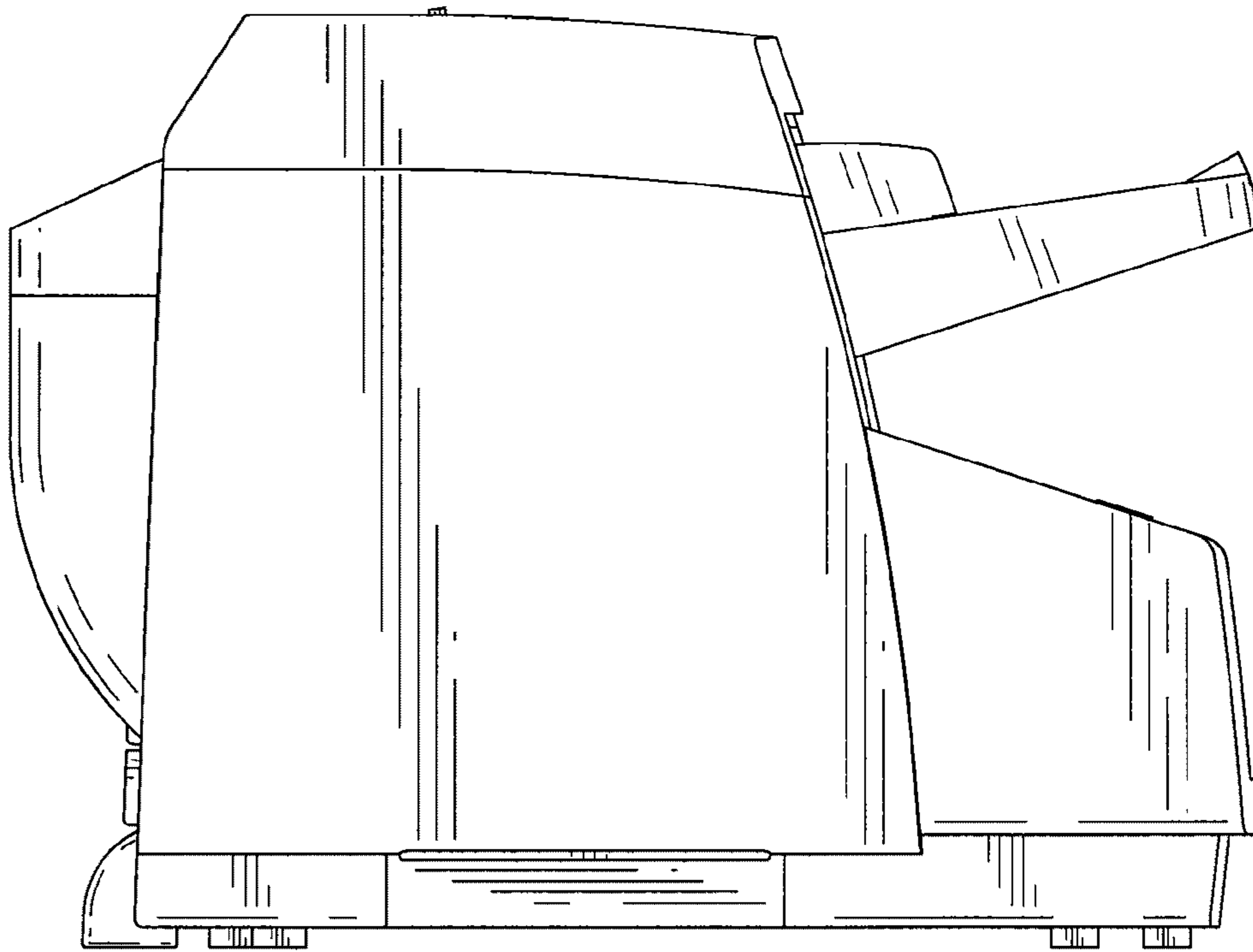


FIG.5

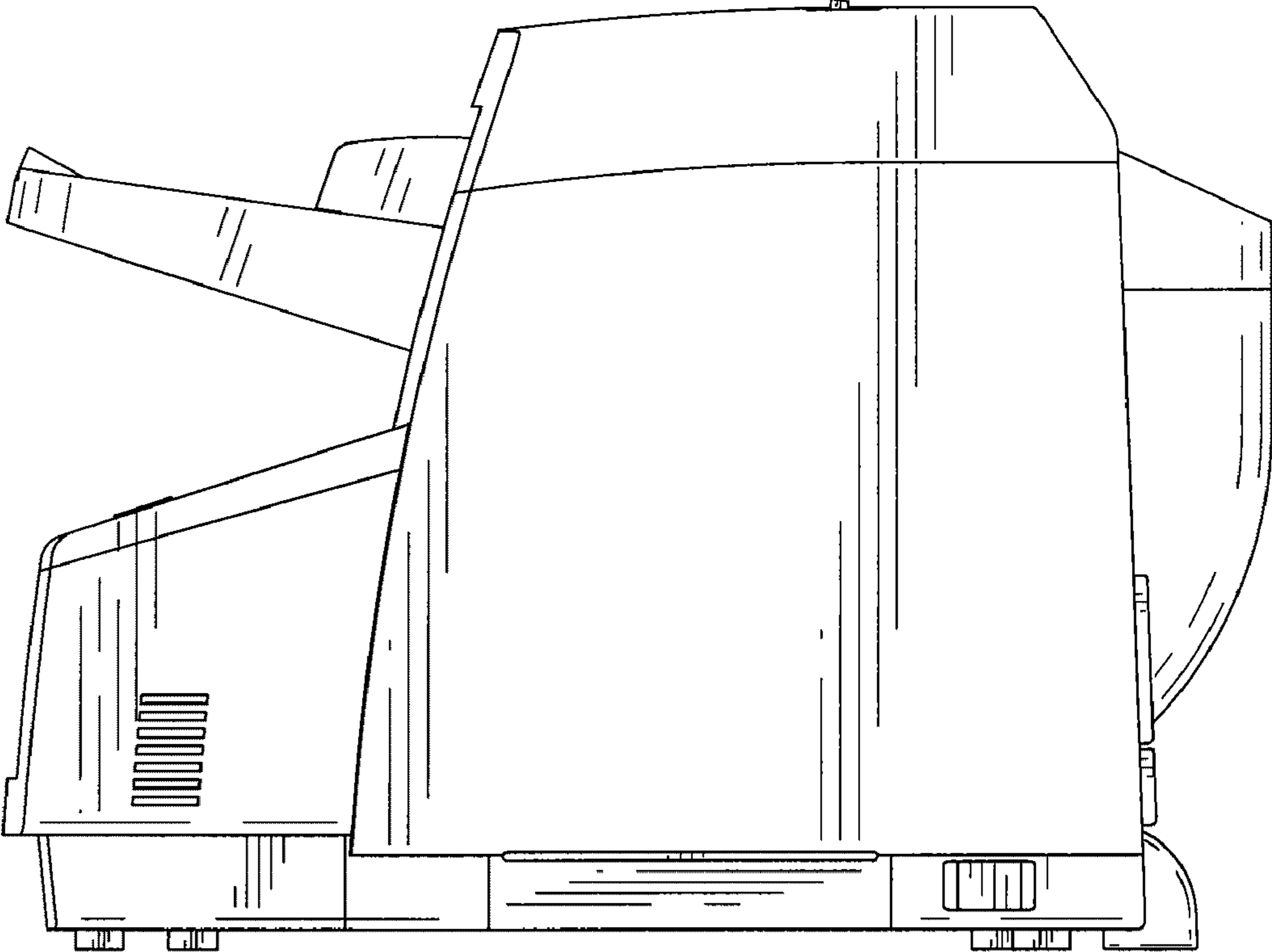


FIG.6

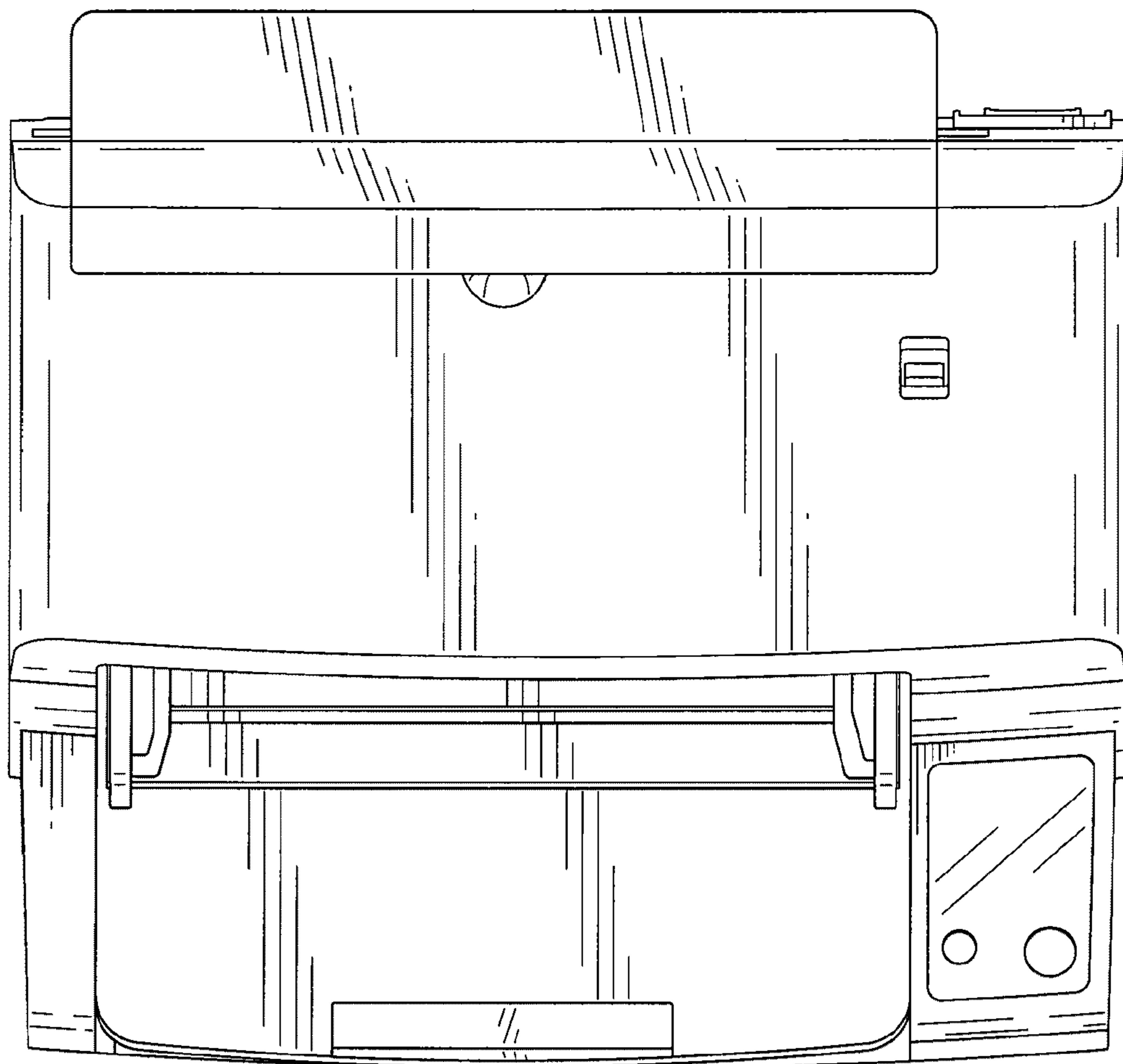


FIG.7

