



US00D650387S

(12) **United States Design Patent**
Iwatsu et al.

(10) **Patent No.:** **US D650,387 S**
(45) **Date of Patent:** **** Dec. 13, 2011**

(54) **SCANNER**

(75) Inventors: **Hirofumi Iwatsu**, Osaka (JP); **Shigehiro Kawai**, Osaka (JP); **Tsubasa Okuzumi**, Osaka (JP)

(73) Assignee: **Kokuyo Co., Ltd.**, Osaka (JP)

(**) Term: **14 Years**

(21) Appl. No.: **29/334,935**

(22) Filed: **Apr. 6, 2009**

(30) **Foreign Application Priority Data**

Oct. 8, 2008 (JP) 2008-025820

(51) **LOC (9) Cl.** **14-02**

(52) **U.S. Cl.** **D14/422**

(58) **Field of Classification Search** D14/420-425,
D14/462-470, 389, 125, 399, 453; D18/50,
D18/54, 55, 53, 36-39, 14, 18-21, 49, 52,
D18/51, 54.4; 358/400, 401, 448, 474, 486-488,
358/496; 382/312, 317, 321, 315; 400/613,
400/613.1-613.4, 690.1-690.4, 691-694,
400/88, 175; 399/107, 379, 380, 211, 212;
235/462.11, 462.41, 472.01, 470, 462.43;
361/680, 681

See application file for complete search history.

(56) **References Cited**

U.S. PATENT DOCUMENTS

D279,902	S	*	7/1985	Genaro et al.	D18/54
D310,096	S	*	8/1990	Heimbürger	D18/55
D315,360	S	*	3/1991	Tokuda et al.	D18/54
D323,850	S	*	2/1992	Matsuo et al.	D18/54
D339,159	S	*	9/1993	Pruitt et al.	D18/55
D343,637	S	*	1/1994	Umino et al.	D18/55
D344,754	S	*	3/1994	Parsey	D18/55
D349,922	S	*	8/1994	Tashiro	D18/50
D350,364	S	*	9/1994	Kawashima et al.	D18/50
5,387,043	A	*	2/1995	Fujioka et al.	400/691

D364,420	S	*	11/1995	Kawashima	D18/54
D370,026	S	*	5/1996	McGlashan	D18/55
D371,158	S	*	6/1996	Yoshida	D18/50
D373,595	S	*	9/1996	Askren et al.	D18/50
D375,119	S	*	10/1996	Pangburn	D18/50
D378,100	S	*	2/1997	Sekine	D18/54
D378,926	S	*	4/1997	Dubson	D18/50
D382,256	S	*	8/1997	Lin	D14/422
D382,894	S	*	8/1997	Berriman et al.	D18/55
D384,969	S	*	10/1997	Inoue et al.	D18/54
D388,405	S	*	12/1997	Lin	D14/422
D390,593	S	*	2/1998	Inoue	D18/54
D390,594	S	*	2/1998	Sekine	D18/54
D390,595	S	*	2/1998	Sekine	D18/54
D390,597	S	*	2/1998	Igarashi et al.	D18/55
D392,311	S	*	3/1998	Takano	D18/50
D401,965	S	*	12/1998	Pangburn	D18/55
D406,273	S	*	3/1999	Dwyer et al.	D18/55
5,896,206	A	*	4/1999	Kellogg	358/498
D409,584	S	*	5/1999	Fetherolf	D14/422
D411,228	S	*	6/1999	Kobayashi et al.	D18/50
D414,472	S	*	9/1999	Metzler	D14/422
D414,508	S	*	9/1999	Pangburn	D18/55

(Continued)

Primary Examiner — Susan Moon Lee

(74) *Attorney, Agent, or Firm* — Dennis R. Haszko

(57) **CLAIM**

The ornamental design for a scanner, as shown and described.

DESCRIPTION

FIG. 1 is a perspective view of the scanner showing the design;

FIG. 2 is a front view thereof;

FIG. 3 is a rear view thereof;

FIG. 4 is a top plan view thereof;

FIG. 5 is a bottom plan view thereof;

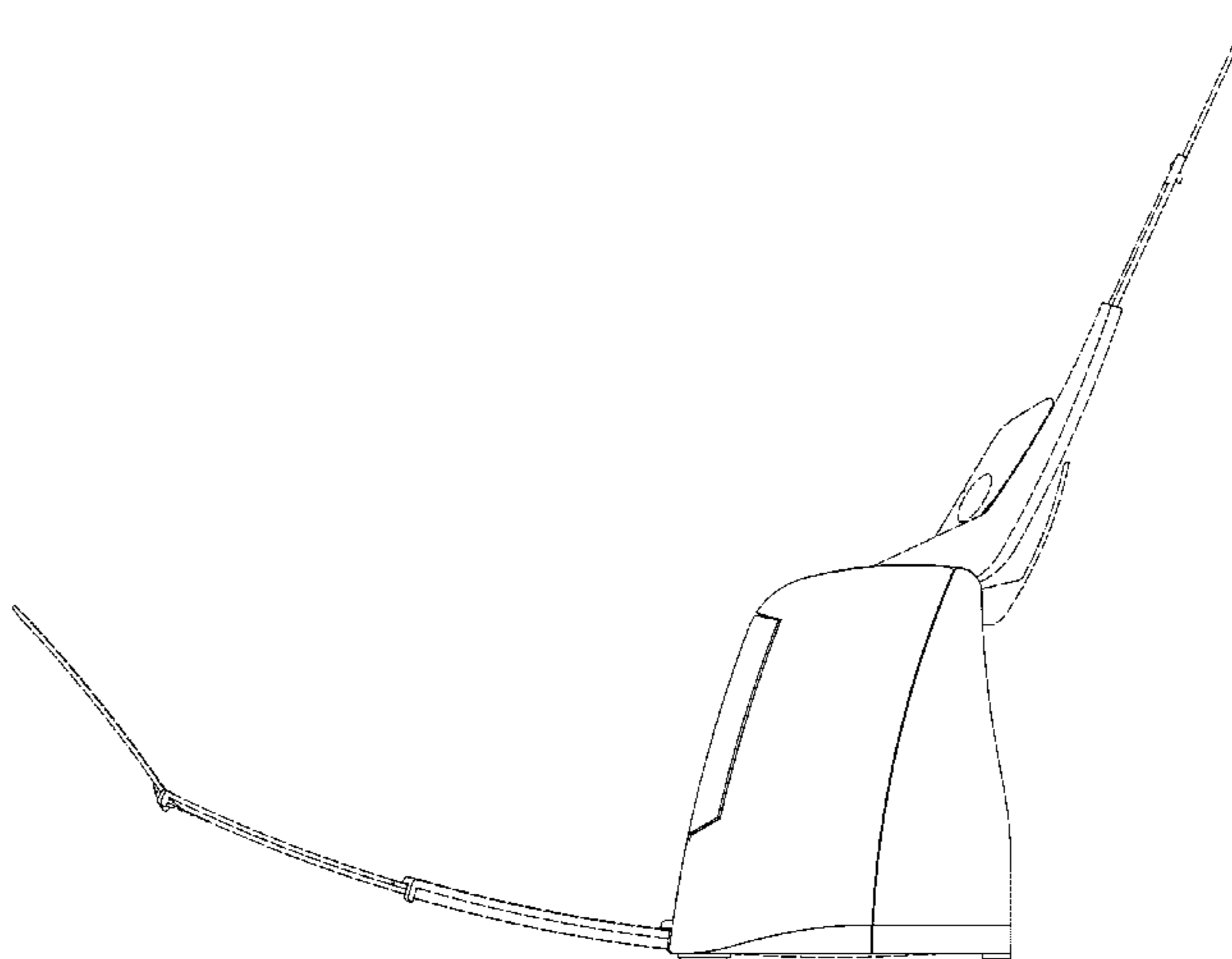
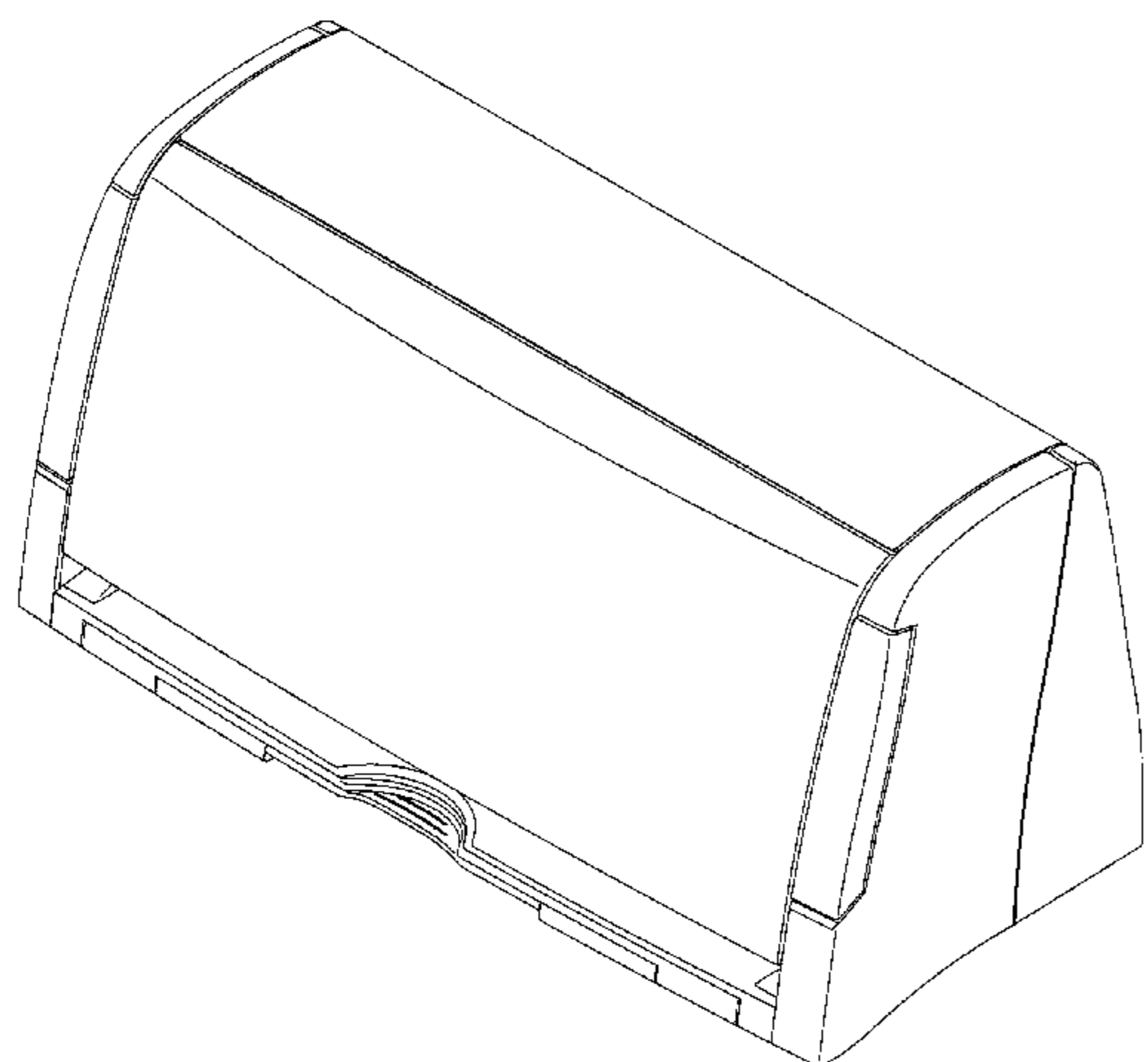
FIG. 6 is a right side view thereof;

FIG. 7 is a left side view thereof; and,

FIG. 8 is a right side view thereof, showing input and output trays in extended positions.

The broken line elements are not claimed.

1 Claim, 7 Drawing Sheets



U.S. PATENT DOCUMENTS

D414,799	S *	10/1999	Cook et al.	D18/55	D467,963	S *	12/2002	Miyahara et al.	D18/54
D421,768	S *	3/2000	Blair et al.	D18/50	D468,764	S *	1/2003	Miyahara et al.	D18/54
D422,570	S *	4/2000	Kobayashi	D14/509	D470,172	S *	2/2003	Tatara et al.	D18/55
D423,563	S *	4/2000	Collins et al.	D18/55	D474,501	S *	5/2003	Hayashi	D18/55
D424,099	S *	5/2000	Pangburn	D18/50	D478,594	S *	8/2003	Ichiyoshi et al.	D14/422
D424,102	S *	5/2000	Igarashi	D18/54	D478,618	S *	8/2003	Obara	D18/54
D424,609	S *	5/2000	Inoue et al.	D18/54	D489,755	S *	5/2004	Wong et al.	D18/55
D430,597	S *	9/2000	Ishiguro	D18/55	D490,462	S *	5/2004	Chua et al.	D18/55
D433,442	S *	11/2000	Clark, III	D18/55	D492,960	S *	7/2004	Takizawa	D18/54
D435,267	S *	12/2000	Beck et al.	D18/55	D530,364	S *	10/2006	Huang	D18/55
D438,894	S *	3/2001	Bishop et al.	D18/55	D534,204	S *	12/2006	Workman et al.	D18/34.3
D439,274	S *	3/2001	Dwyer et al.	D18/55	D542,292	S *	5/2007	Kitamura et al.	D14/422
D439,275	S *	3/2001	Ohashi	D18/55	D543,583	S *	5/2007	Workman et al.	D18/34.3
D441,783	S *	5/2001	Kawahara et al.	D18/55	D549,705	S *	8/2007	Sugitani et al.	D14/422
D443,296	S *	6/2001	Dwyer et al.	D18/55	D552,166	S *	10/2007	Ohashi	D18/50
D445,451	S *	7/2001	Clark et al.	D18/55	D560,250	S *	1/2008	Ito et al.	D18/50
D449,066	S *	10/2001	Dwyer et al.	D18/55	D610,146	S *	2/2010	Kuroda et al.	D14/422
D450,345	S *	11/2001	Miyazaki	D18/50	D632,295	S *	2/2011	Kuroda	D14/422
6,350,010	B1 *	2/2002	Bailey et al.	347/37	2003/0063337	A1 *	4/2003	Shirai et al.	358/498
6,443,553	B2 *	9/2002	Bailey et al.	347/37	2003/0095296	A1 *	5/2003	Terashima et al.	358/498

* cited by examiner

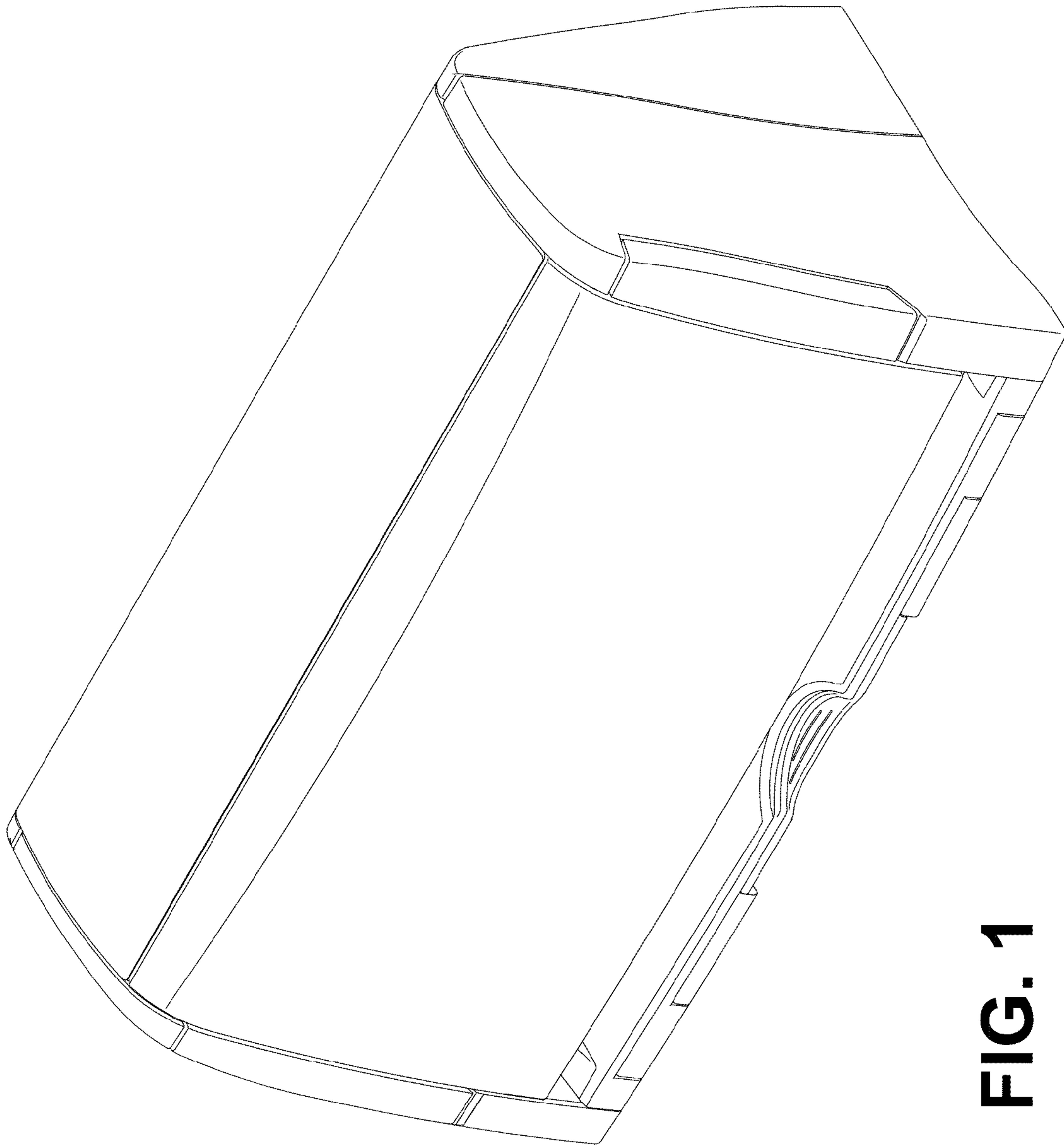


FIG. 1

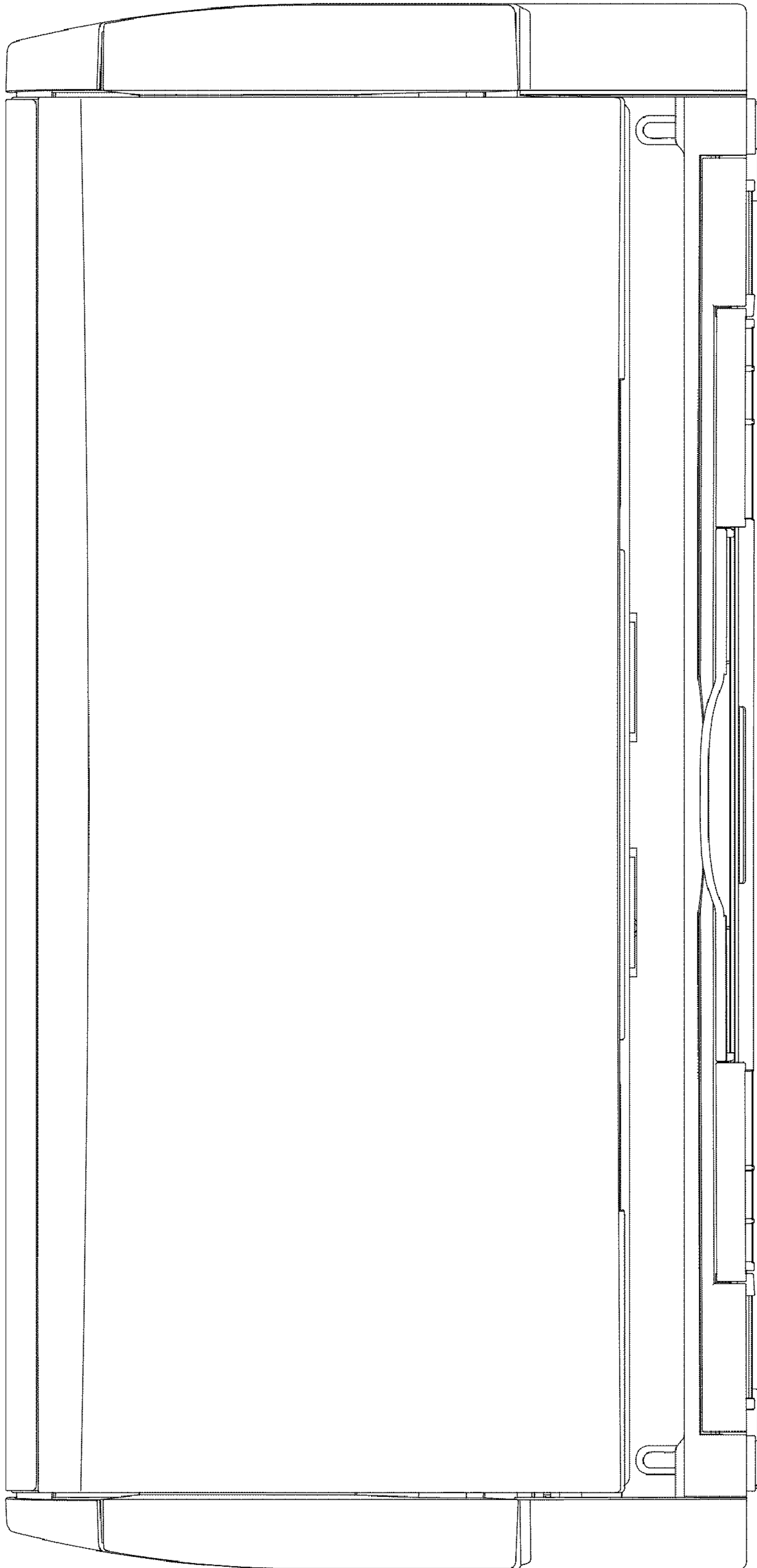


FIG. 2

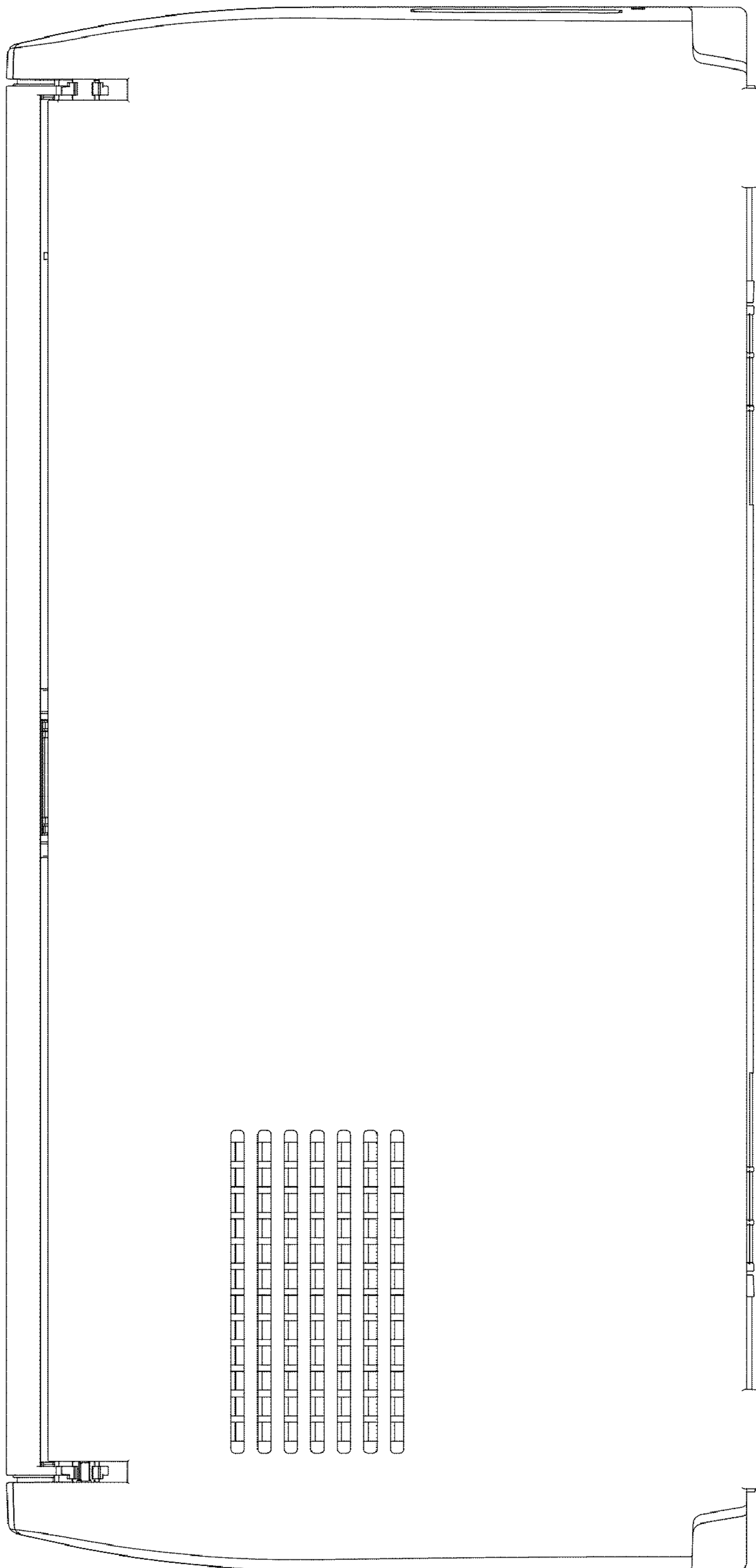


FIG. 3

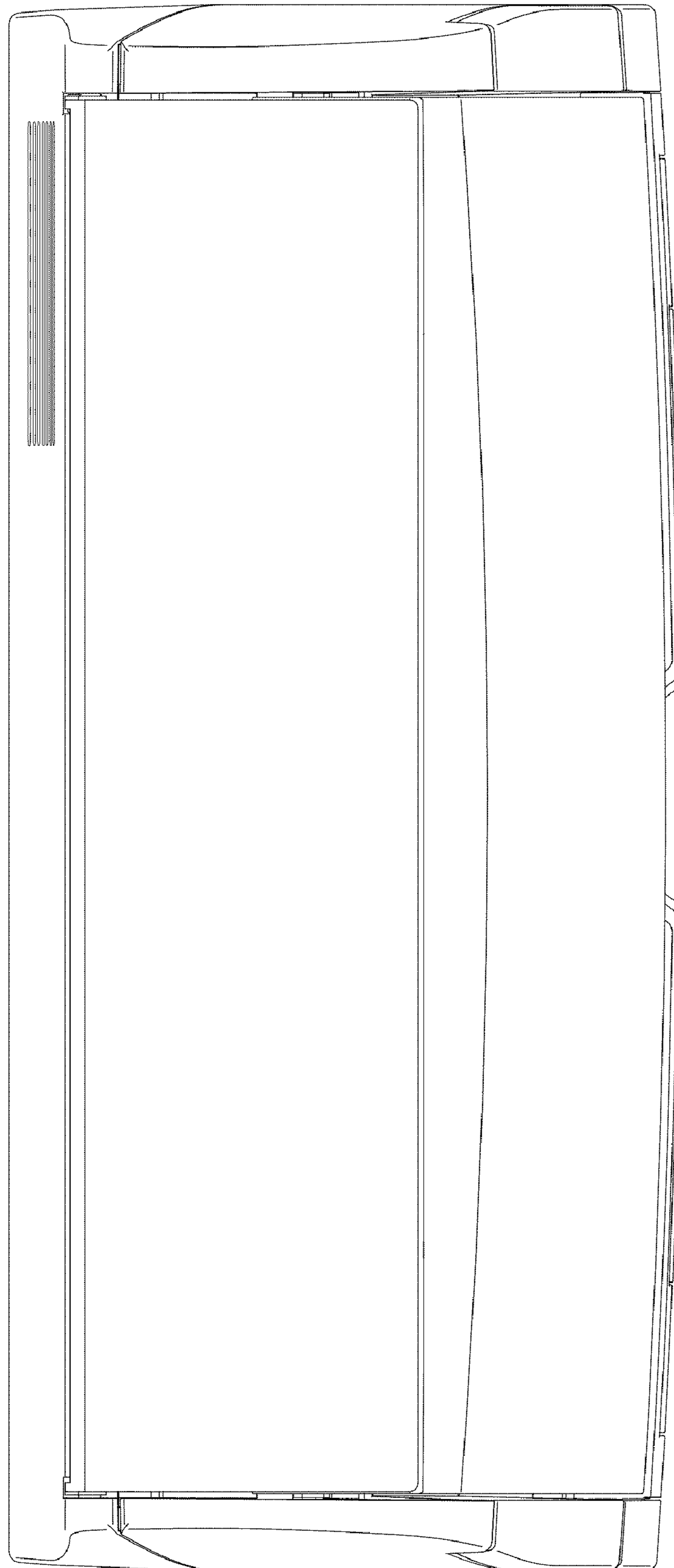


FIG. 4

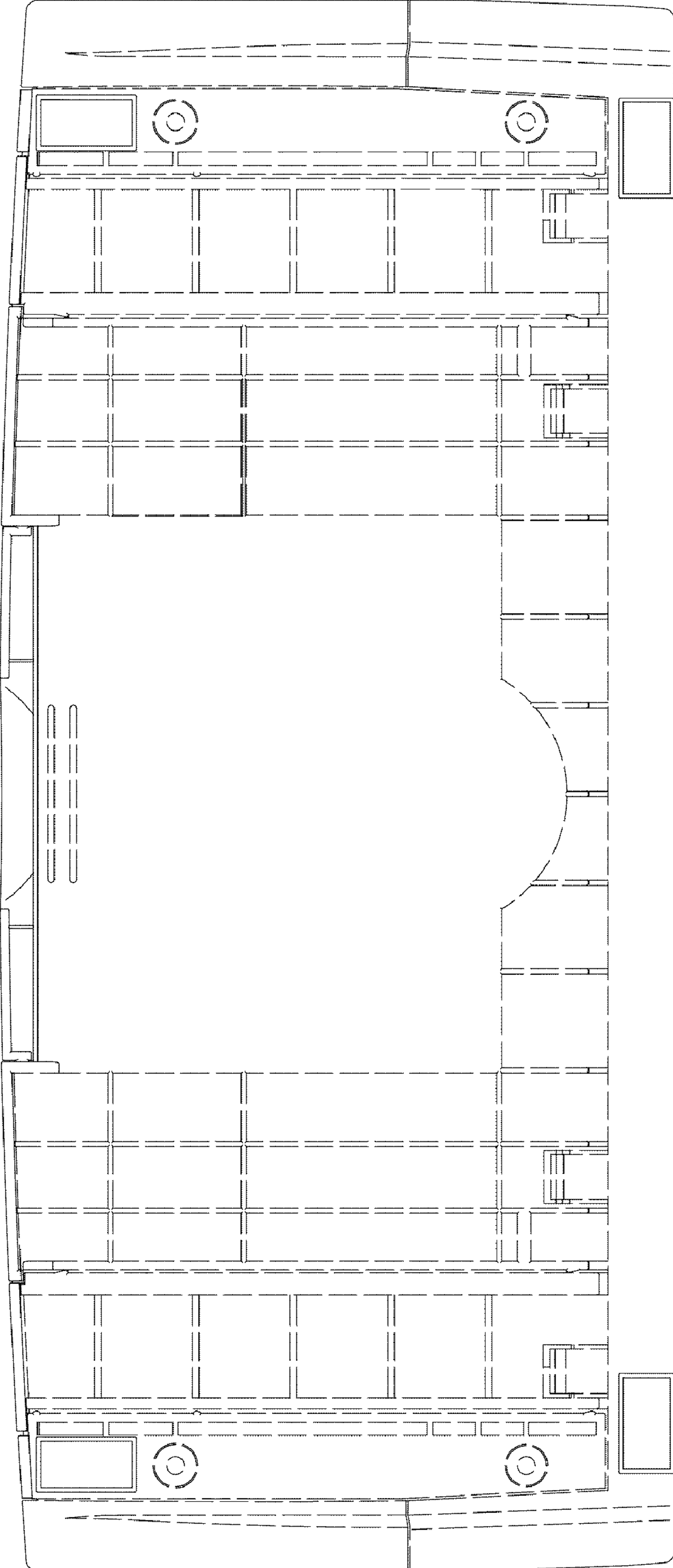


FIG. 5

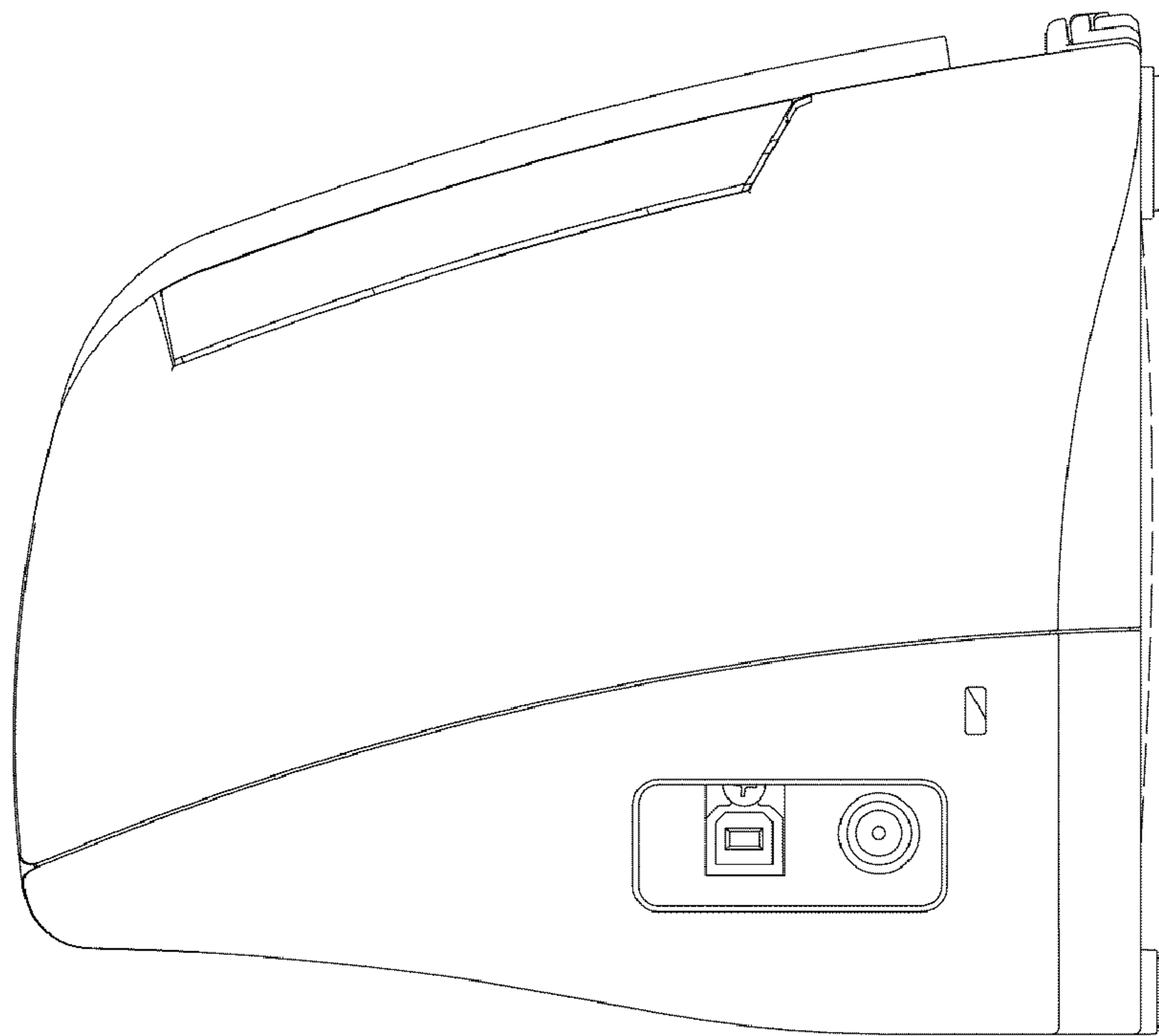


FIG. 6

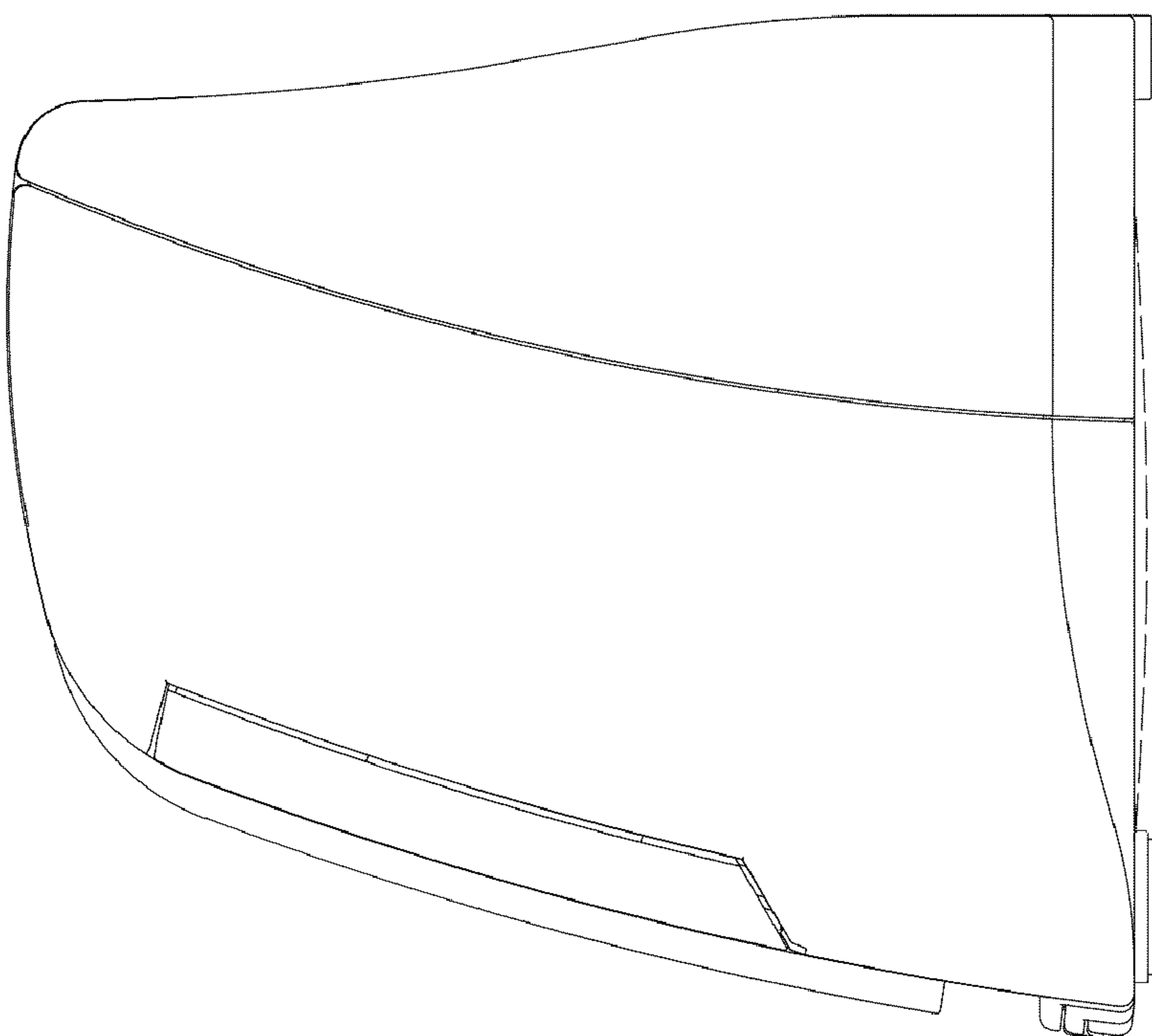


FIG. 7

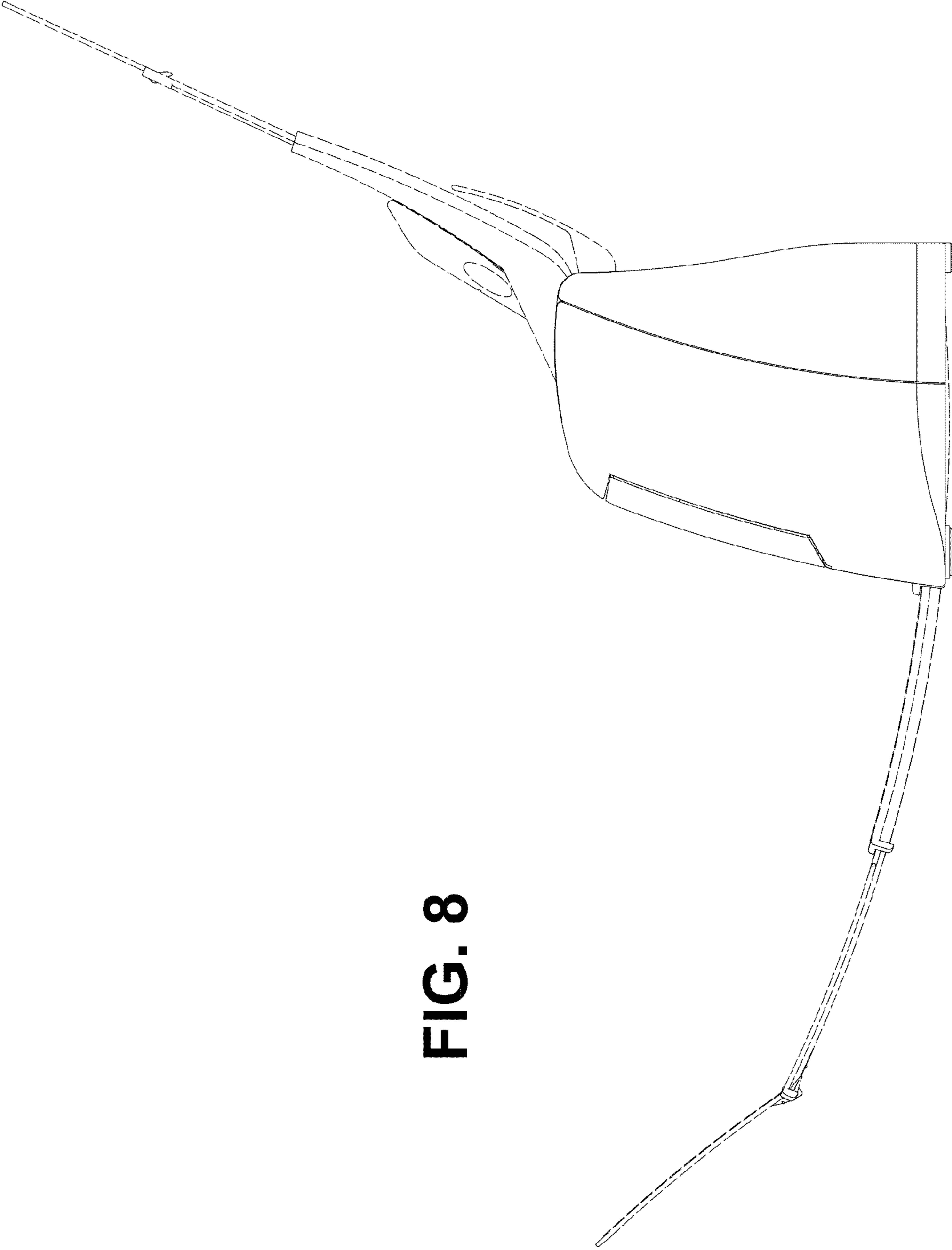


FIG. 8