



US00D650385S

(12) **United States Design Patent**
Chiu

(10) **Patent No.:** **US D650,385 S**

(45) **Date of Patent:** **** Dec. 13, 2011**

(54) **DISPLAY**

(75) **Inventor:** **Yi-Chung Chiu**, Taoyuan County (TW)

(73) **Assignee:** **Hannspree, Inc.**, New Taipei (TW)

(**) **Term:** **14 Years**

(21) **Appl. No.:** **29/392,500**

(22) **Filed:** **May 23, 2011**

(51) **LOC (9) Cl.** **14-02**

(52) **U.S. Cl.** **D14/371; D6/308**

(58) **Field of Classification Search** D14/371-375,
D14/125-129, 336, 337; 341/12; 345/104,
345/156, 168, 173; 348/180, 184, 325, 739;
349/1, 2, 11, 62; 361/679.06, 679.21; D6/300,
D6/308; D21/324, 328, 329
See application file for complete search history.

(56) **References Cited**

U.S. PATENT DOCUMENTS

6,227,966 B1 * 5/2001 Yokoi 463/1
D467,620 S * 12/2002 Lin D21/329

D468,738 S * 1/2003 Lin D14/371
D469,089 S * 1/2003 Lin D14/371
D469,093 S * 1/2003 Lin D14/375
D495,709 S * 9/2004 Walker et al. D14/375
D533,854 S * 12/2006 Rashid D14/126
D590,396 S * 4/2009 Lo et al. D14/371

* cited by examiner

Primary Examiner — Freda S Nunn

(74) *Attorney, Agent, or Firm* — Ming Chow; Sinorica, LLC

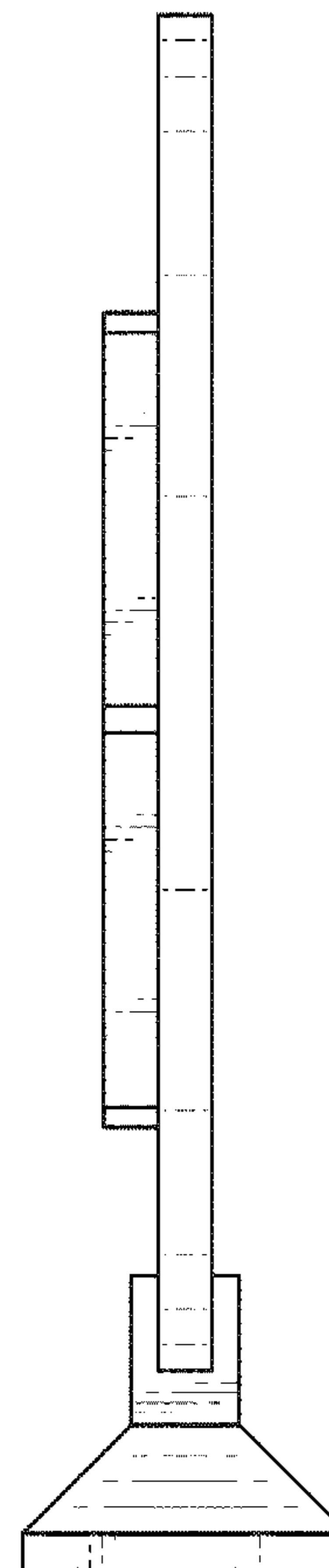
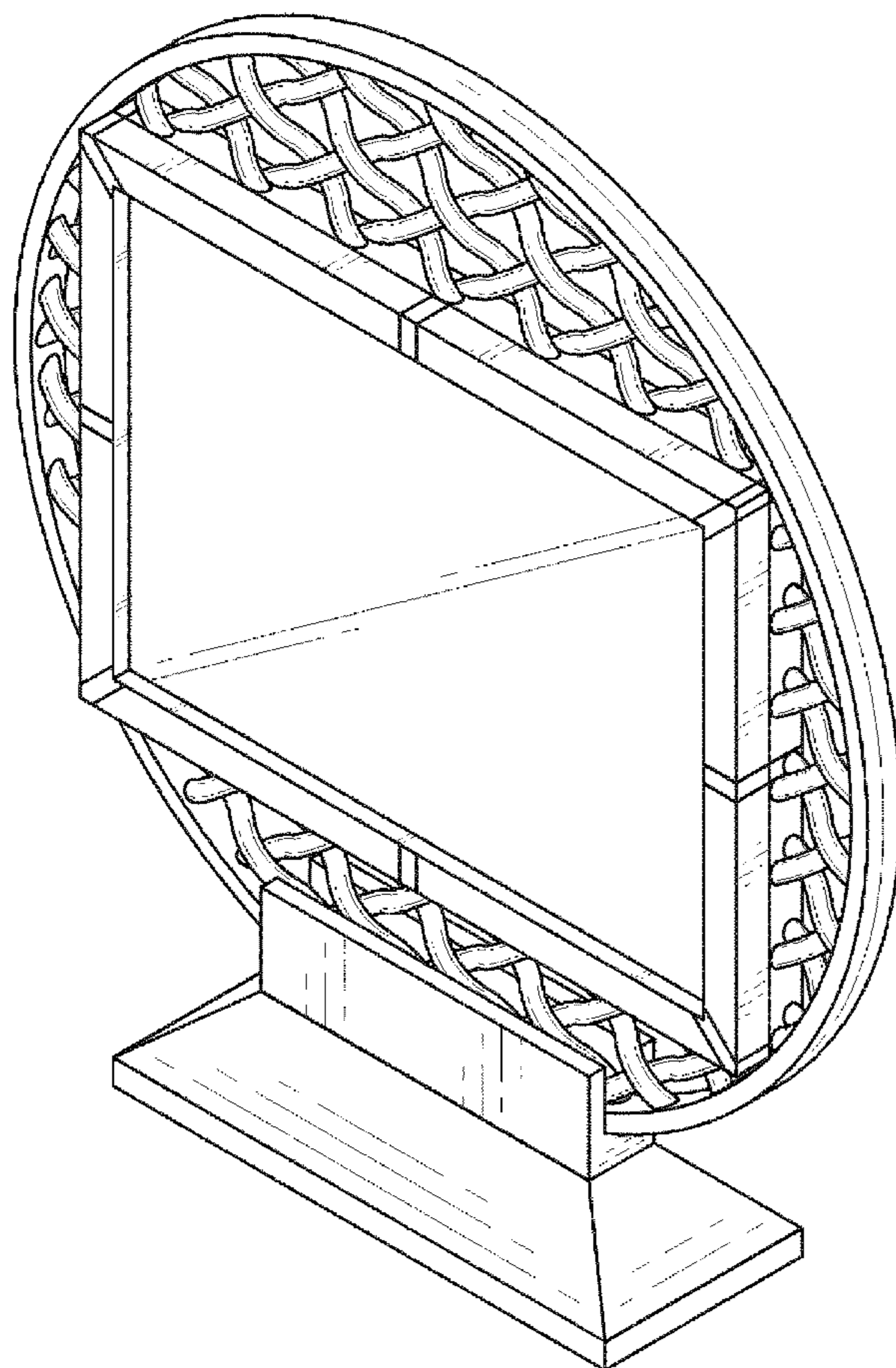
(57) **CLAIM**

The ornamental design for a display, as shown and described.

DESCRIPTION

FIG. 1.is a perspective view of a display showing my new design;
FIG. 2.is a front elevational view thereof;
FIG. 3.is a rear elevational view thereof;
FIG. 4.is a left side elevatiodnal view thereof;
FIG. 5.is a right side elevational view thereof;
FIG. 6.is a top plan view thereof; and,
FIG. 7.is a bottom plan view thereof.

1 Claim, 7 Drawing Sheets



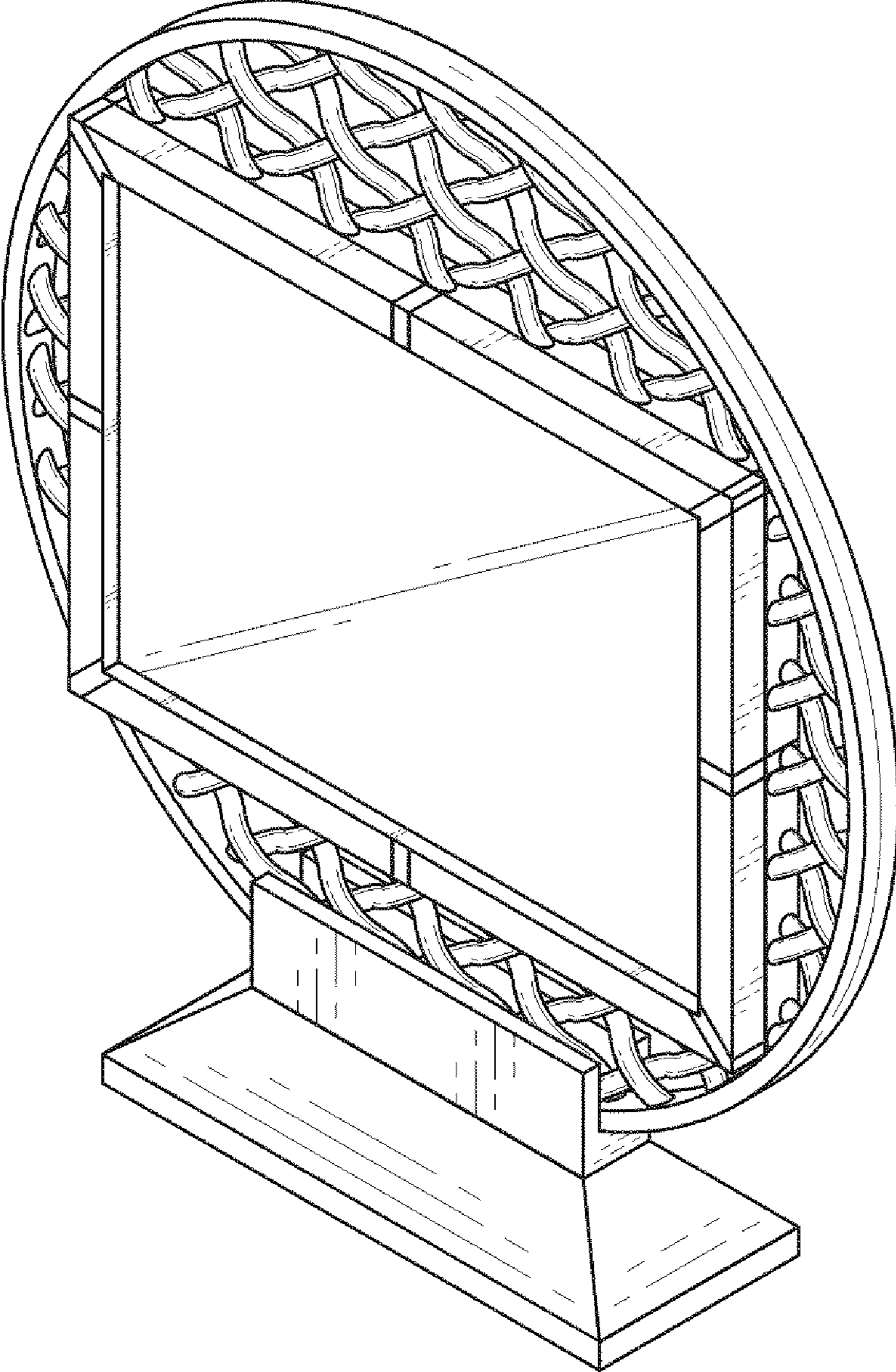


FIG. 1

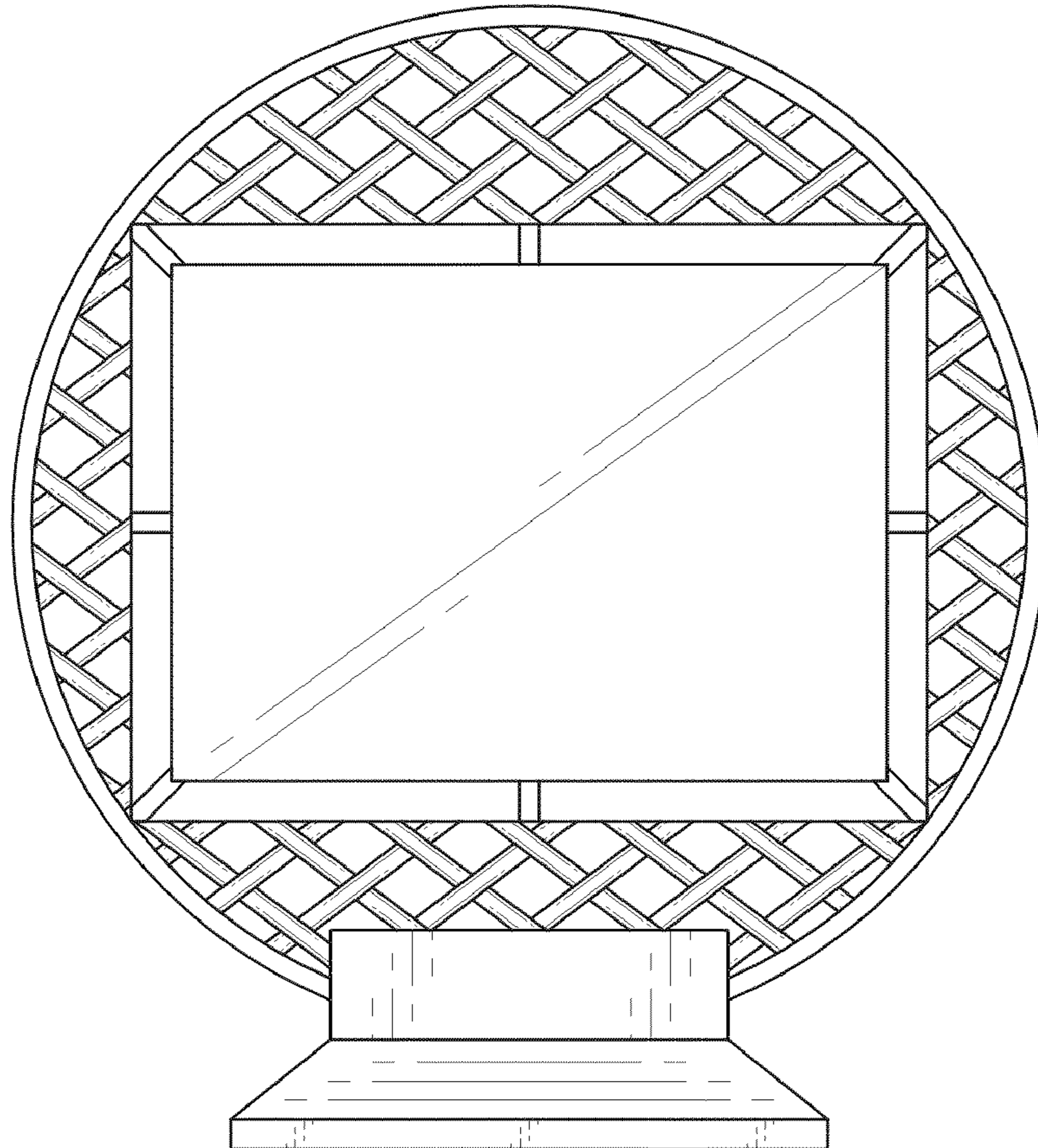


FIG. 2

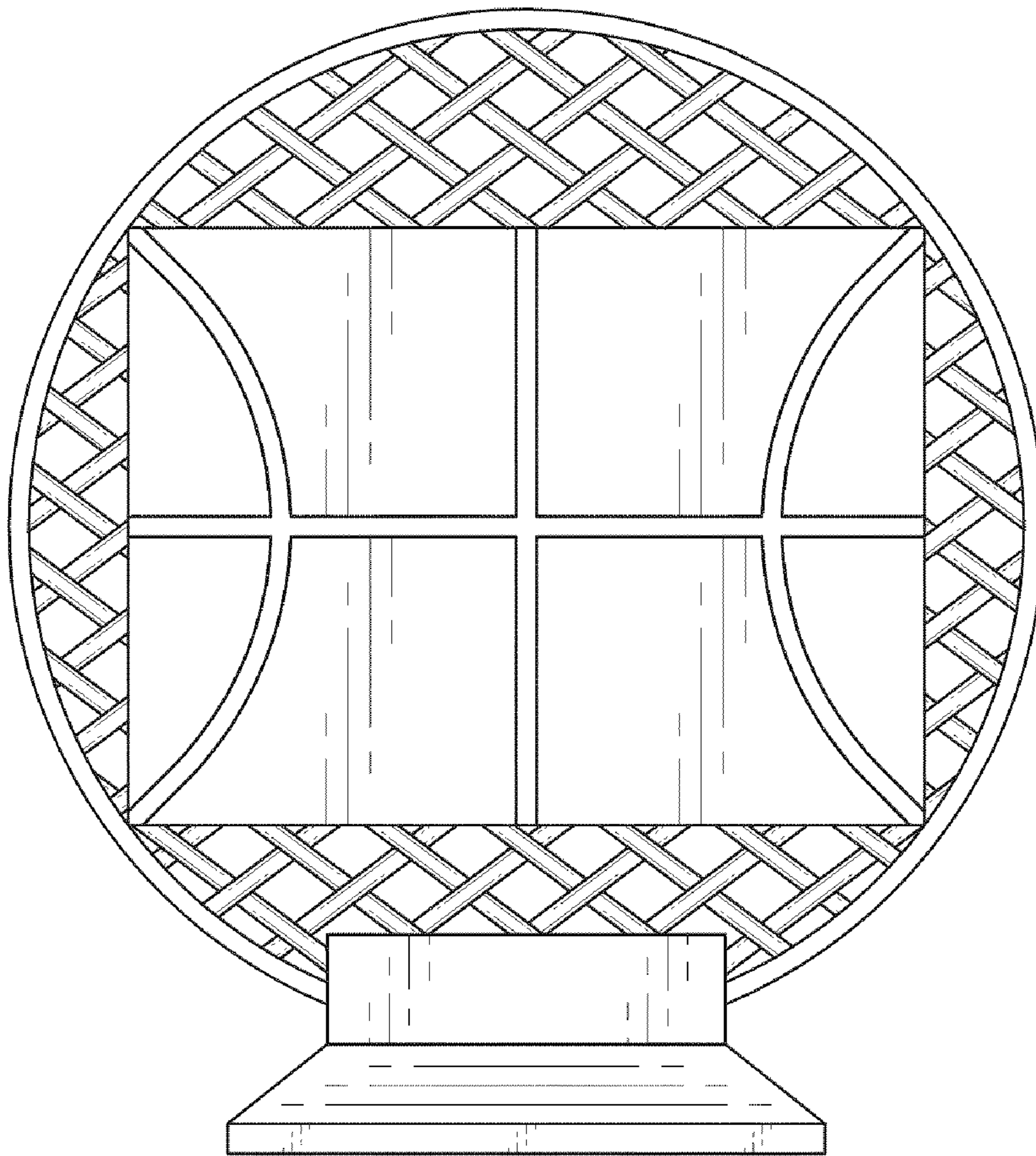


FIG. 3

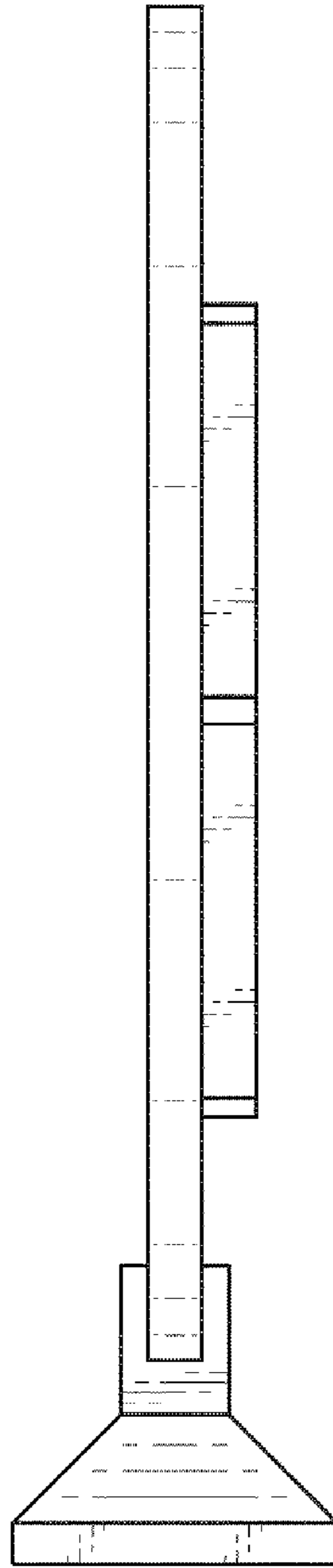


FIG. 4

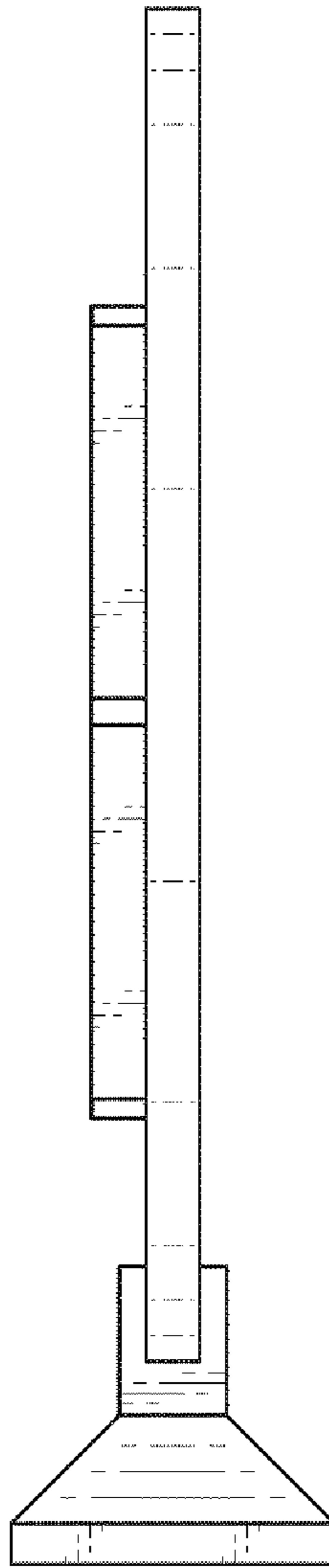


FIG. 5

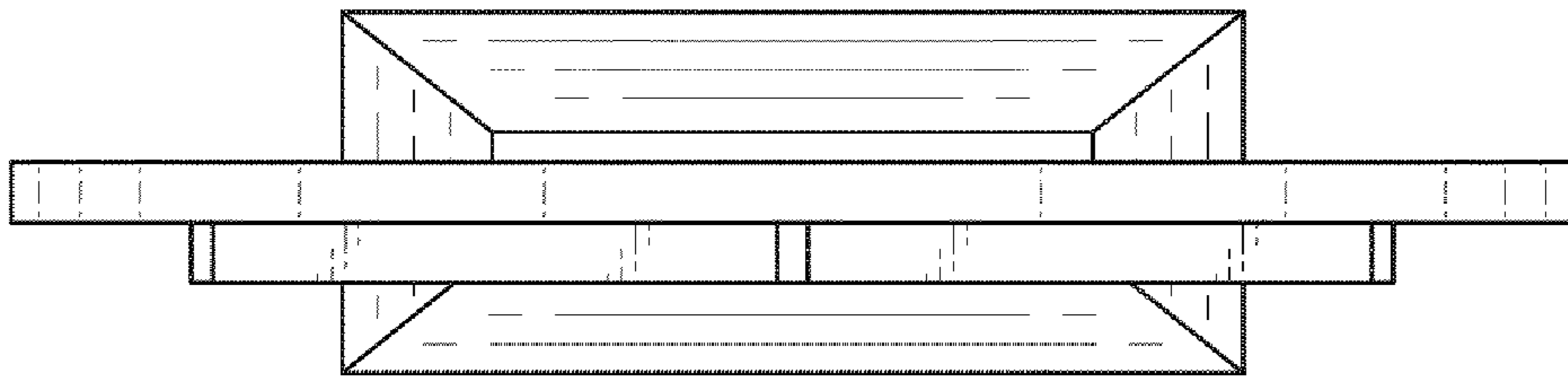


FIG. 6

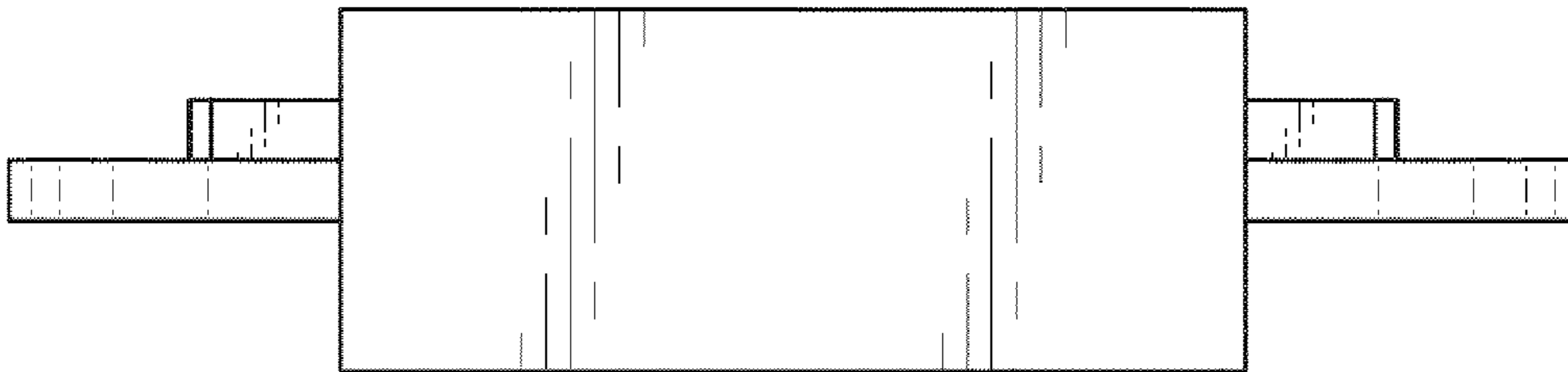


FIG. 7