



US00D650384S

(12) **United States Design Patent**
Yokota et al.

(10) **Patent No.:** **US D650,384 S**

(45) **Date of Patent:** **** Dec. 13, 2011**

(54) **OPTICAL DISC RECORDING DEVICE**

(75) Inventors: **Kazuo Yokota**, Tama (JP); **You Kamei**, Tama (JP); **Takashi Watanabe**, Tama (JP)

(73) Assignee: **Teac Corporation**, Tokyo (JP)

(**) Term: **14 Years**

(21) Appl. No.: **29/347,844**

(22) Filed: **Jun. 22, 2010**

(30) **Foreign Application Priority Data**

May 12, 2010 (JP) 2010-011584

(51) **LOC (9) Cl.** **14-02**

(52) **U.S. Cl.** **D14/366**

(58) **Field of Classification Search** D14/496,
D14/125, 135, 167, 314, 341, 348, 353, 356-370,
D14/383, 385; D13/184; 220/4.02;
361/679.31-679.45; 369/30.03
See application file for complete search history.

(56) **References Cited**

U.S. PATENT DOCUMENTS

D189,617 S * 1/1961 Storm, Jr. D18/56
D224,314 S * 7/1972 Schaus D13/184
D348,685 S * 7/1994 Miyazawa D16/236
D385,261 S * 10/1997 Akiba D14/260.1

D407,076 S * 3/1999 Renk D14/301
5,921,644 A * 7/1999 Brunel et al. 312/223.2
6,341,060 B1 * 1/2002 Chuang 361/679.33
6,556,433 B1 * 4/2003 Love et al. 361/679.33
D482,025 S * 11/2003 Laity et al. D14/242
7,167,362 B2 * 1/2007 Tseng et al. 361/679.58
7,312,983 B2 * 12/2007 Tsai et al. 361/679.41
2001/0026520 A1 * 10/2001 Watanabe et al. 369/75.2
2009/0174997 A1 * 7/2009 Chan et al. 361/679.32

* cited by examiner

Primary Examiner — Karen E Kearney

(74) *Attorney, Agent, or Firm* — Manabu Kanesaka

(57) **CLAIM**

The ornamental design for an optical disc recording device, as shown and described.

DESCRIPTION

FIG. 1 is a top perspective view of an optical disc recording device showing our new design;
FIG. 2 is a bottom perspective view thereof;
FIG. 3 is a front elevational view thereof;
FIG. 4 is a rear elevational view thereof;
FIG. 5 is a top plan view thereof;
FIG. 6 is a bottom plan view thereof;
FIG. 7 is a right side elevational view thereof;
FIG. 8 is a left side elevational view thereof; and,
FIG. 9 is a top perspective view thereof, wherein the tray is open.

The broken line showings are for the purpose of illustrating unclaimed portions of the optical disc recording device and form no part of the claimed design.

1 Claim, 7 Drawing Sheets

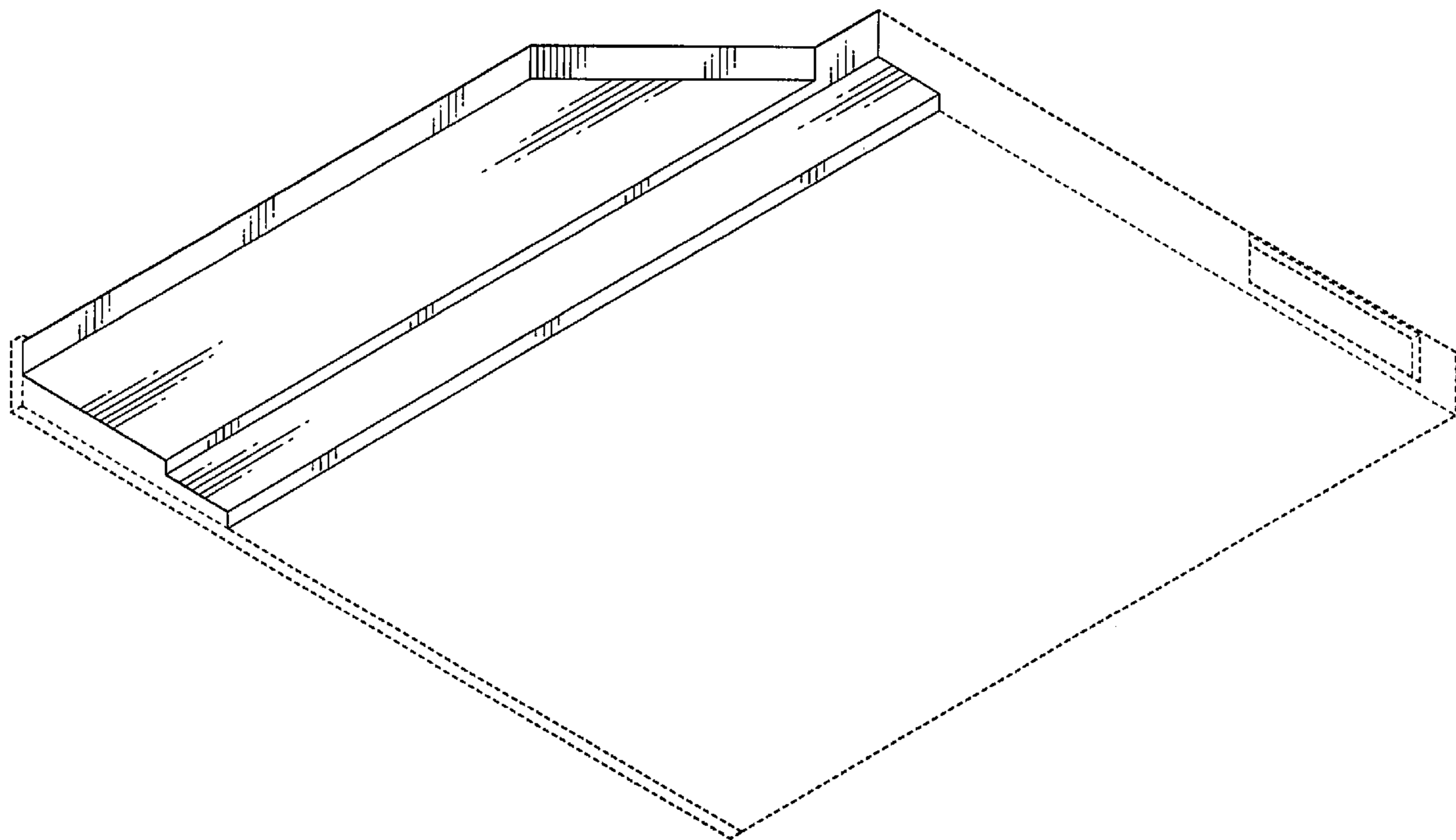


Fig.1

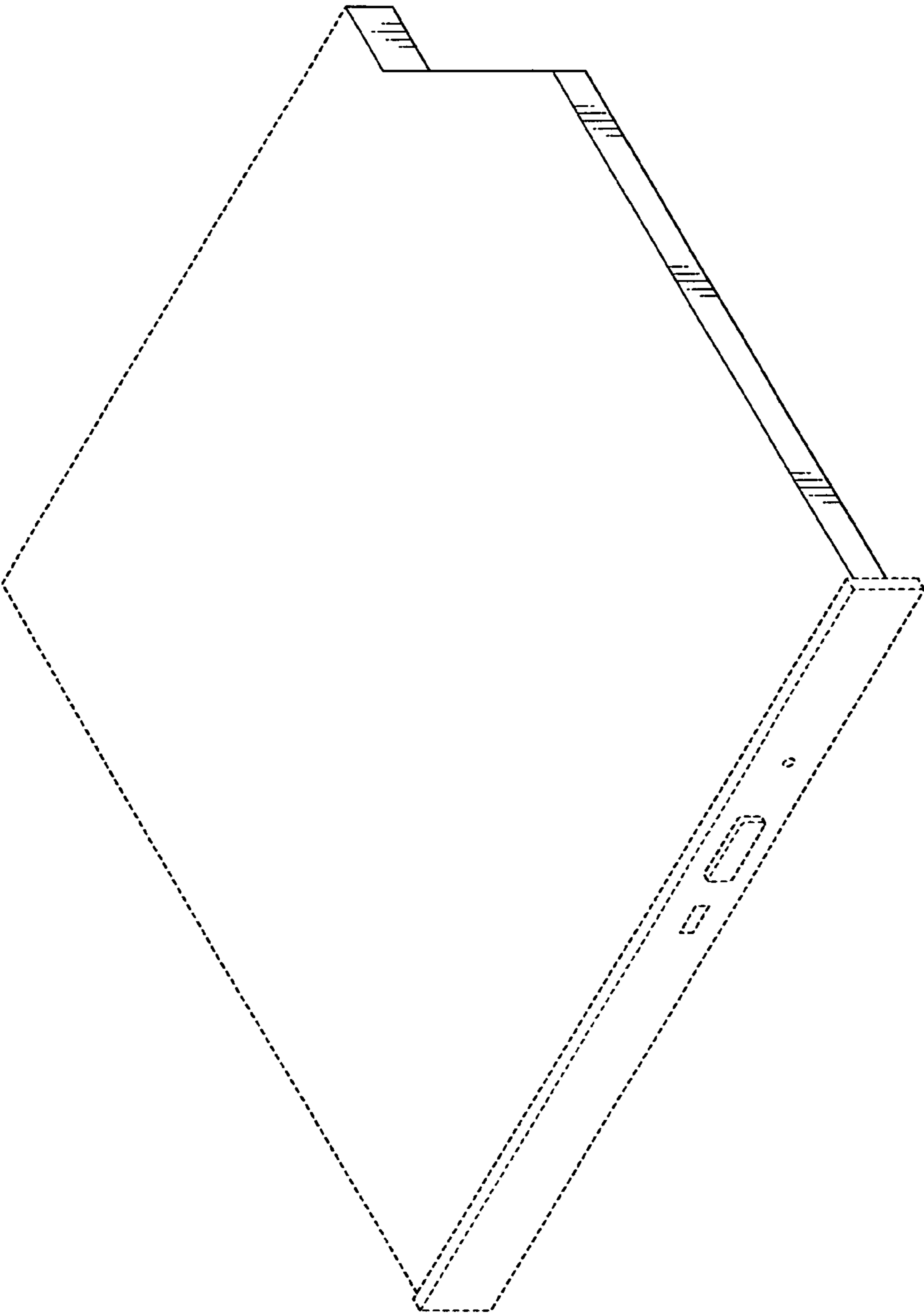


Fig.2

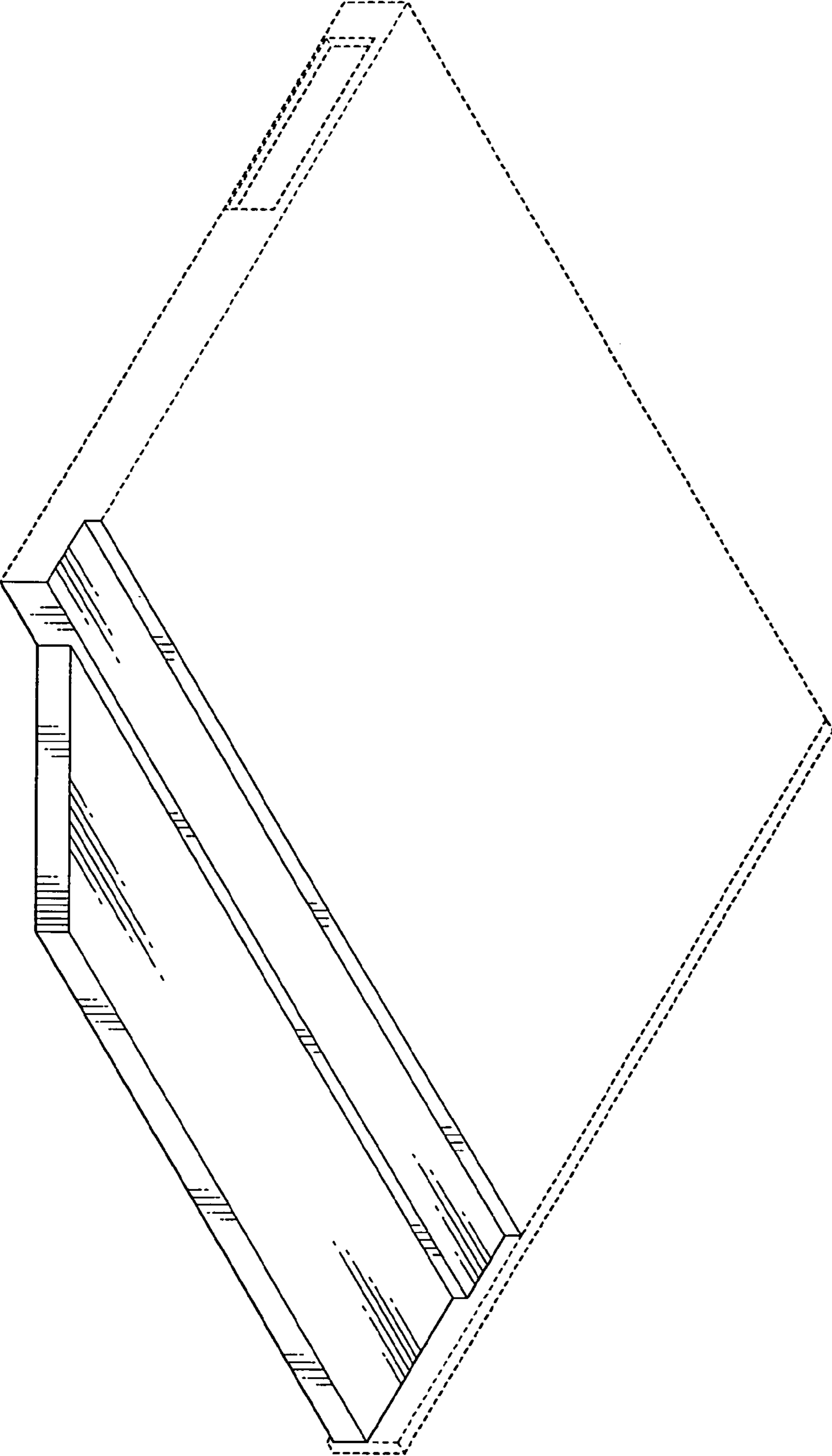


Fig.3

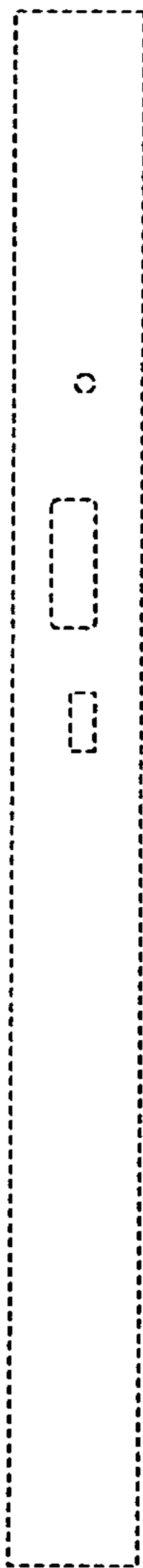


Fig.4

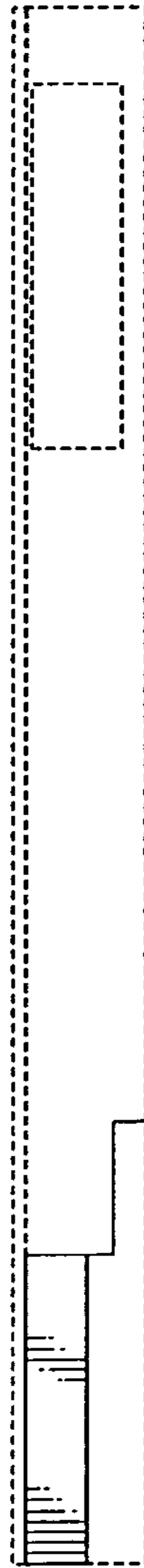
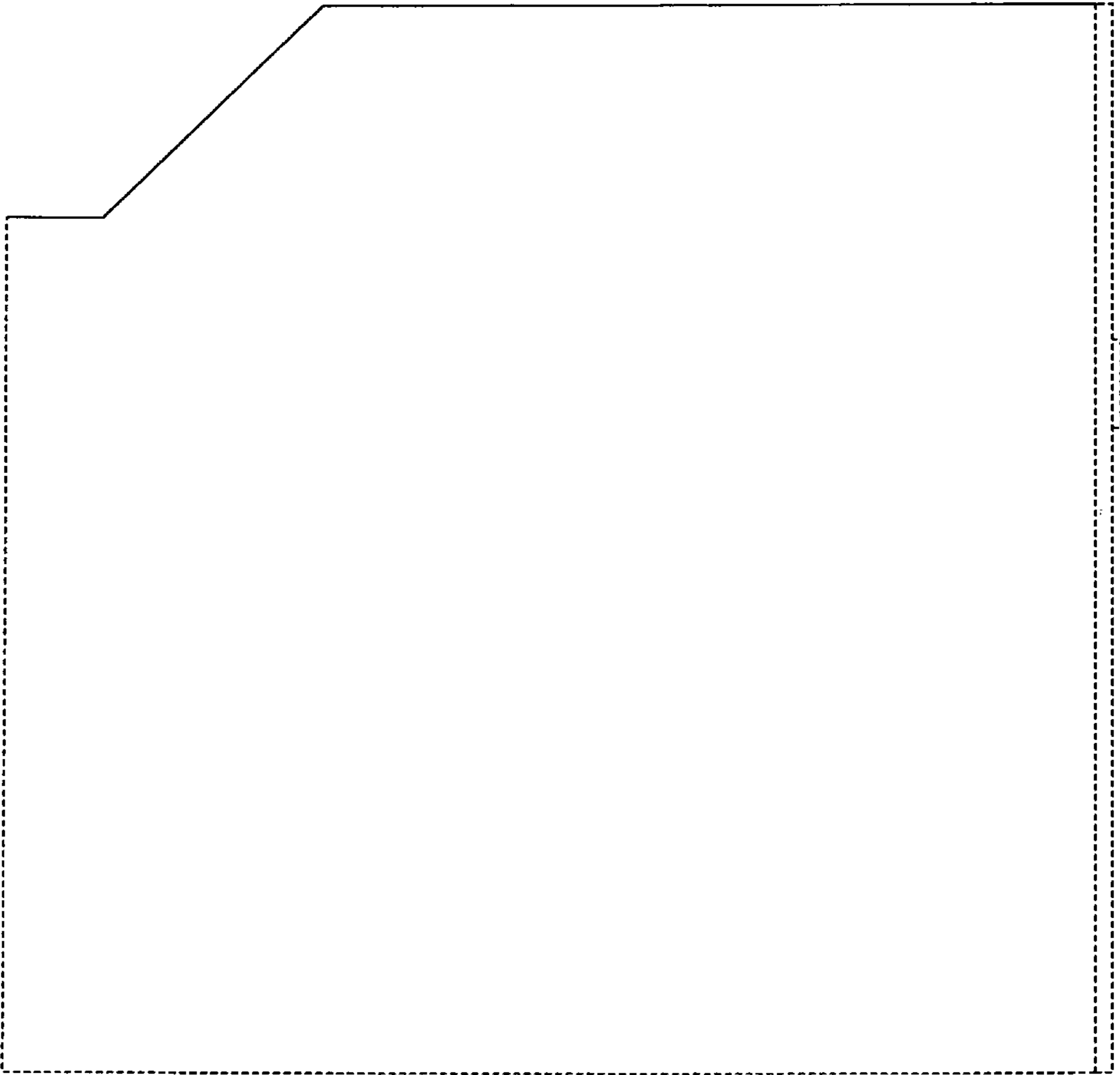


Fig.5



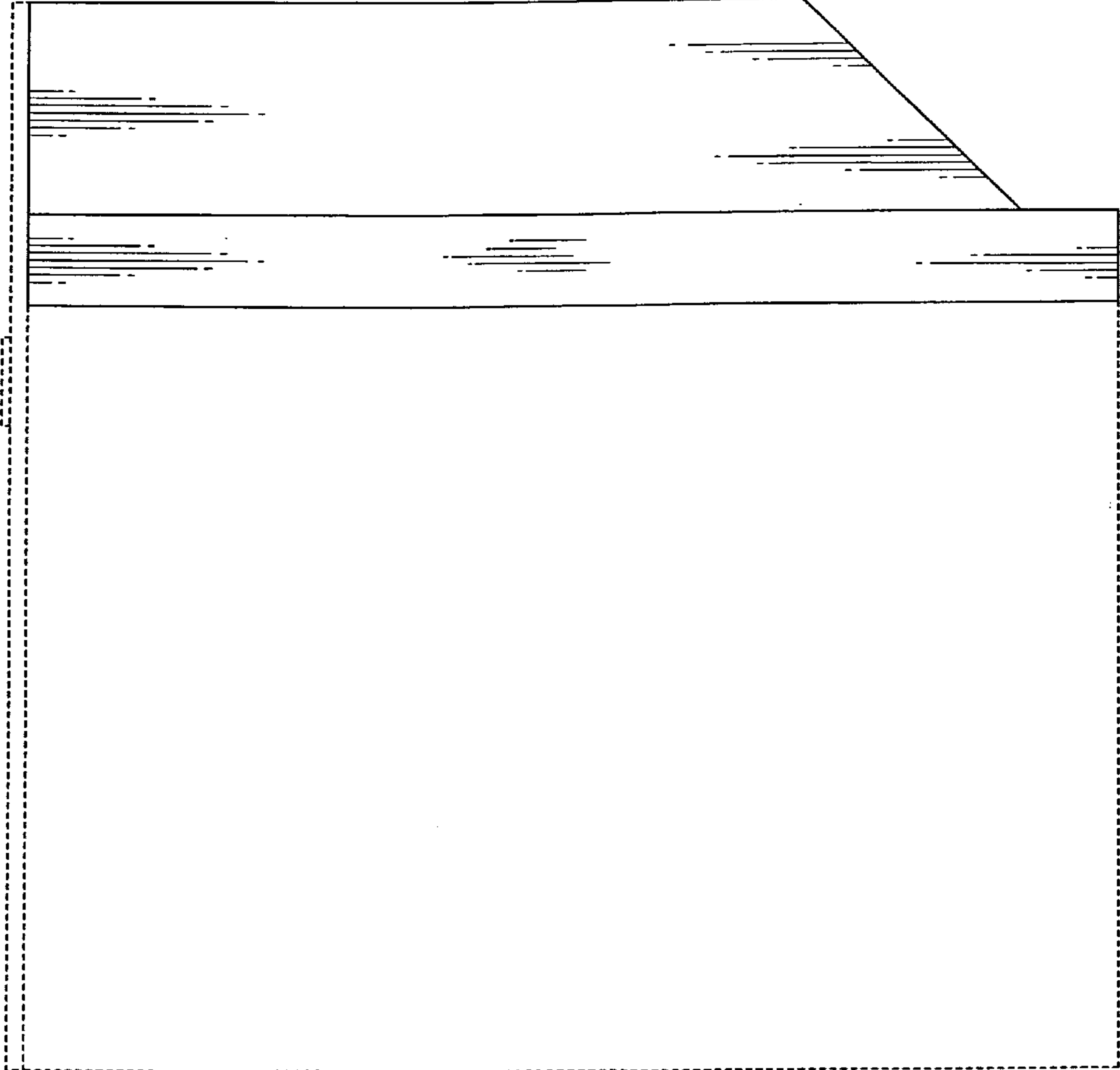


Fig.6

Fig.7

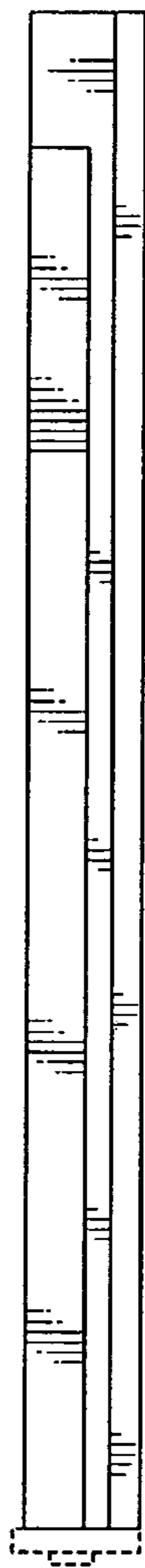
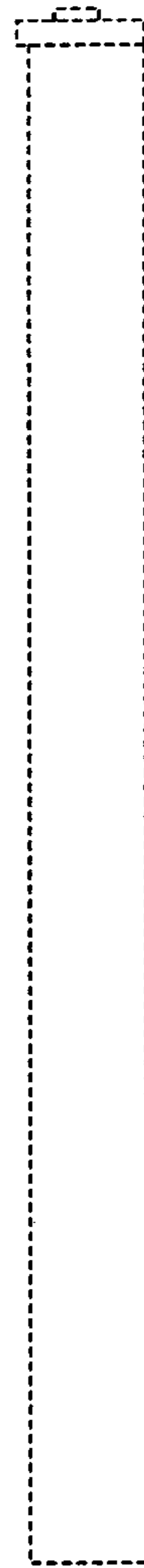


Fig.8



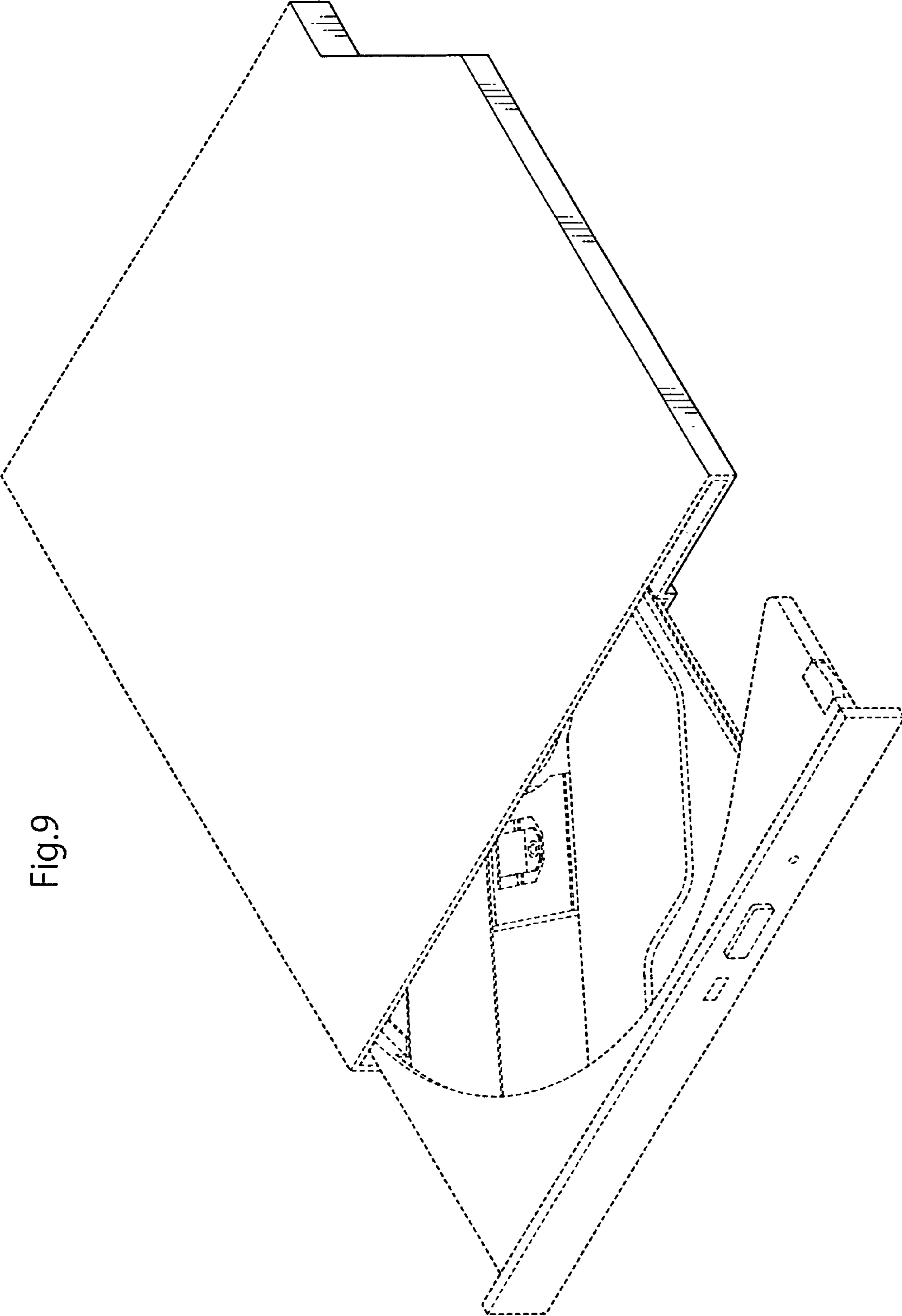


Fig.9