

US00D650381S

(12) **United States Design Patent**
Park et al.

(10) **Patent No.:** **US D650,381 S**
(45) **Date of Patent:** **** Dec. 13, 2011**

(54) **SMART BOOK**

(75) Inventors: **Sang-II Park**, Kyunggi-do (KR);
Jun-Won Bae, Seoul (KR); **Jong-Chan Kwon**, Kyunggi-do (KR); **Hae-Jin Kim**, Seoul (KR)

(73) Assignee: **Samsung Electronics Co., Ltd.**, Suwon, Kyunggi-Do (KR)

(**) Term: **14 Years**

(21) Appl. No.: **29/372,692**

(22) Filed: **Dec. 28, 2010**

(30) **Foreign Application Priority Data**

Jun. 30, 2010 (KR) 30-2010-0028664

(51) **LOC (9) Cl.** **14-02**

(52) **U.S. Cl.** **D14/341**

(58) **Field of Classification Search** D14/341-347,
D14/137, 138, 138.1, 138 AA, 138 R, 138 AB,
D14/138 AC, 138 AD, 138 C, 138 G, 496,
D14/203.1, 203.3, 203.4, 203.5, 203.7, 426,
D14/427, 432, 429, 129, 130, 420, 439-441,
D14/448, 125, 147, 156, 218, 247-248, 250,
D14/389, 388, 315-318; D10/65, 104; D18/6-7;
D21/324, 329, 330; D19/26, 59, 60; 455/556.1,
455/556.2, 566, 575.1, 90.3; 379/433.04,
379/433.01, 433.06, 916; 345/169, 173,
345/901, 905; 361/679.26, 679.27, 679.3,
361/679.55, 679.56

See application file for complete search history.

(56) **References Cited**

U.S. PATENT DOCUMENTS

D337,569 S * 7/1993 Kando D14/341
D485,265 S * 1/2004 Sato et al. D14/341
D490,420 S * 5/2004 Solomon et al. D14/341
D504,889 S * 5/2005 Andre et al. D14/341

D536,691 S * 2/2007 Park D14/138 AD
D559,220 S * 1/2008 Lee et al. D14/138 AD
D560,192 S * 1/2008 Lee et al. D14/138 AD
D563,929 S * 3/2008 Park D14/138 AD
D579,930 S * 11/2008 Maskatia D14/341
D580,387 S * 11/2008 Andre et al. D14/138 G
D580,431 S * 11/2008 Morita D14/341
D589,021 S * 3/2009 Millora D14/138 AD
D598,426 S * 8/2009 Kim et al. D14/203.7
D602,014 S * 10/2009 Andre et al. D14/341
D602,017 S * 10/2009 Andre et al. D14/341
D602,486 S * 10/2009 Andre et al. D14/341
D606,505 S * 12/2009 Seflic et al. D14/138 G
D607,858 S * 1/2010 Millora D14/138 AD
D610,568 S * 2/2010 Yu D14/203.7
D617,321 S * 6/2010 Aarras D14/248
D617,793 S * 6/2010 Chiang et al. D14/341

(Continued)

OTHER PUBLICATIONS

U.S. Appl. No. 29/372,113, Applicant: EunuaeSnally Lee, et al., filed Oct. 15, 2010 entitled Tablet Computer.

(Continued)

Primary Examiner — Barbara Fox

(74) *Attorney, Agent, or Firm* — Flynn, Thiel, Boutell & Tanis, P.C.

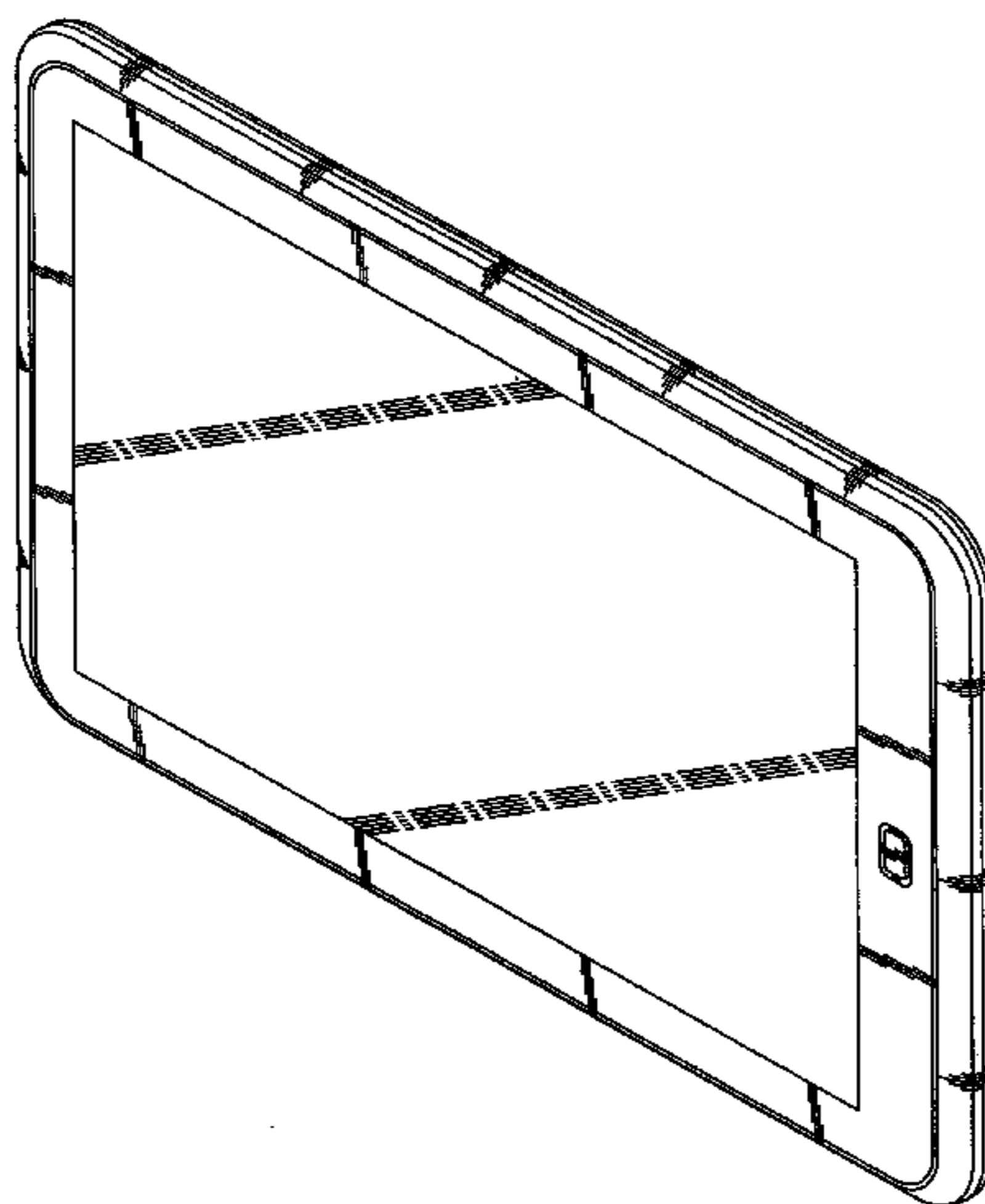
(57) **CLAIM**

The ornamental design for a smart book, as shown and described.

DESCRIPTION

FIG. 1 is a top front perspective view of a smart book showing our new design;
FIG. 2 is a front elevational view thereof;
FIG. 3 is a rear elevational view thereof;
FIG. 4 is a left side elevational view thereof;
FIG. 5 is a right side elevational view thereof;
FIG. 6 is a top plan view thereof; and,
FIG. 7 is a bottom plan view thereof.

1 Claim, 3 Drawing Sheets



US D650,381 S

Page 2

U.S. PATENT DOCUMENTS

D620,919 S * 8/2010 Lee D14/203.7
D624,071 S * 9/2010 Dan D14/341
D625,307 S * 10/2010 Cheng D14/341
D627,344 S * 11/2010 Chien et al. D14/341
D627,776 S * 11/2010 Seong D14/341
D627,777 S * 11/2010 Akana et al. D14/341
D629,787 S * 12/2010 Lee D14/203.7
D629,788 S * 12/2010 Lee D14/203.7
D629,799 S * 12/2010 Andre et al. D14/341
D636,768 S * 4/2011 Chan et al. D14/341
D636,770 S * 4/2011 Li D14/341

D638,412 S * 5/2011 Lee D14/250
D642,151 S * 7/2011 Chun et al. D14/138 G
D642,563 S * 8/2011 Akana et al. D14/341
2011/0177798 A1* 7/2011 Aoki 455/414.1

OTHER PUBLICATIONS

U.S. Appl. No. 29/372,112, Applicant: EunuaeShally Lee, et al., filed Oct. 15, 2010 entitled Table Computer.
U.S. Appl. No. 29/372,664, Applicant: Sang-Il Park, et al., filed Dec. 22, 2010 entitled Smart Book.

* cited by examiner

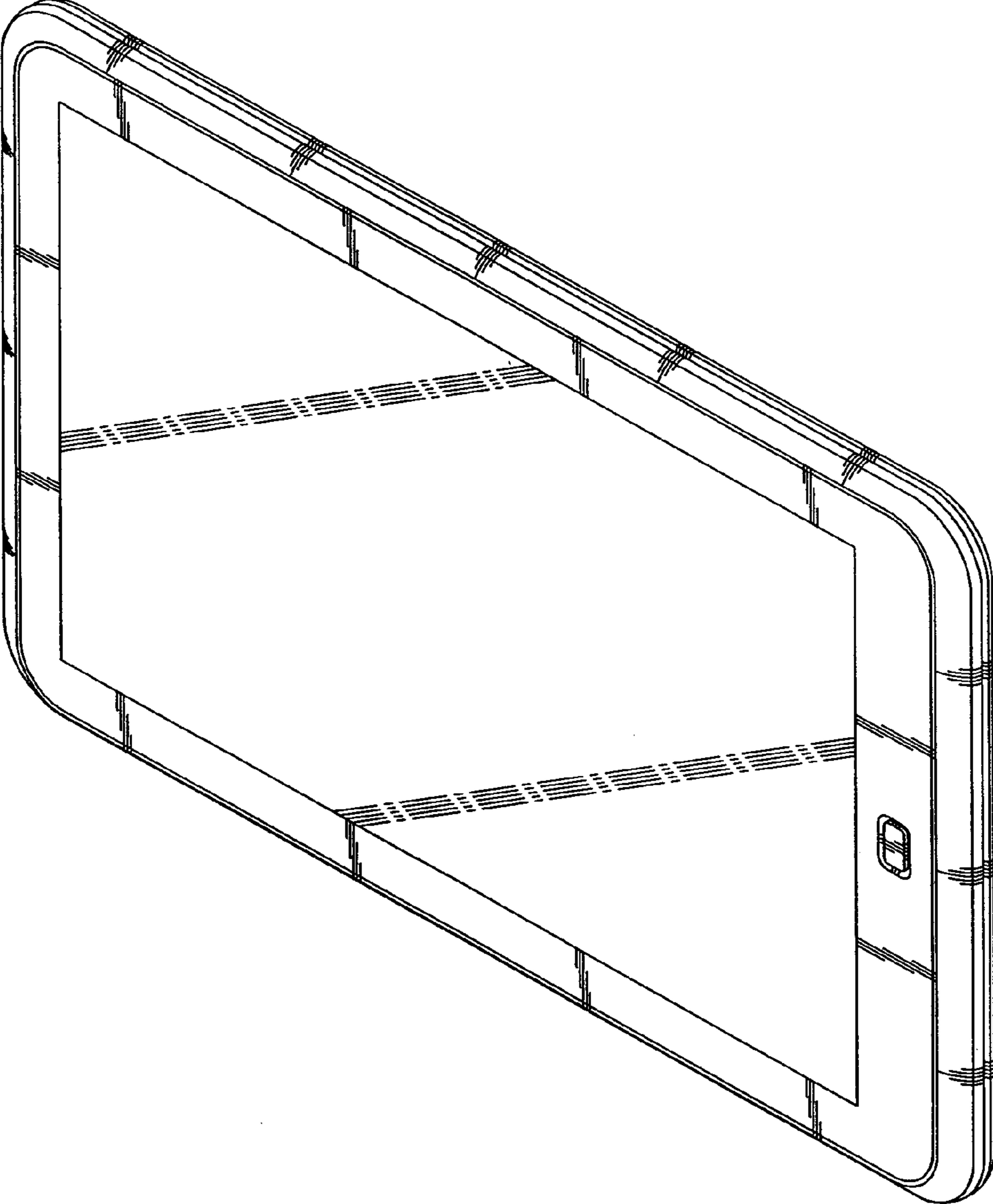


FIG.1

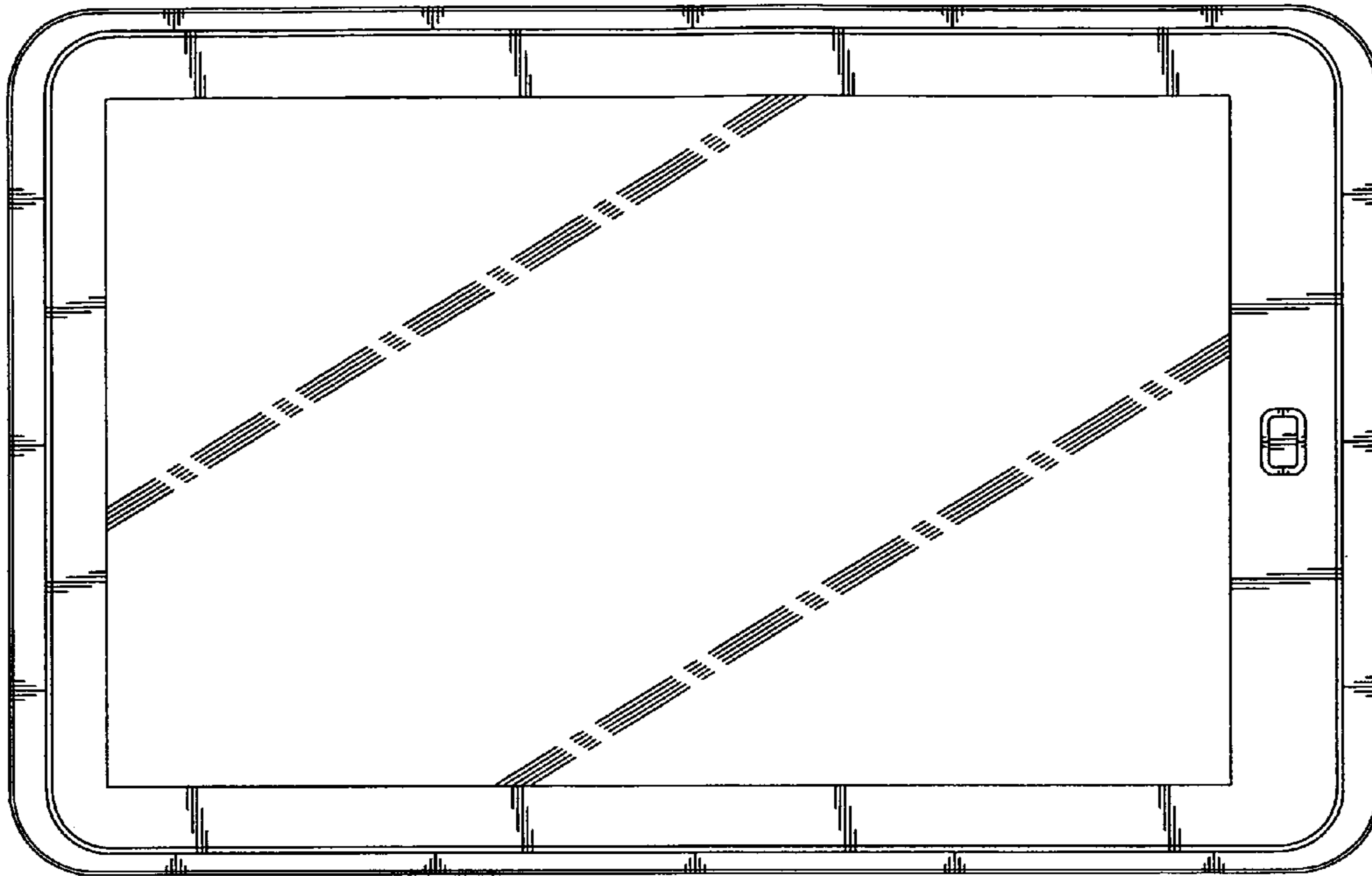


FIG. 2

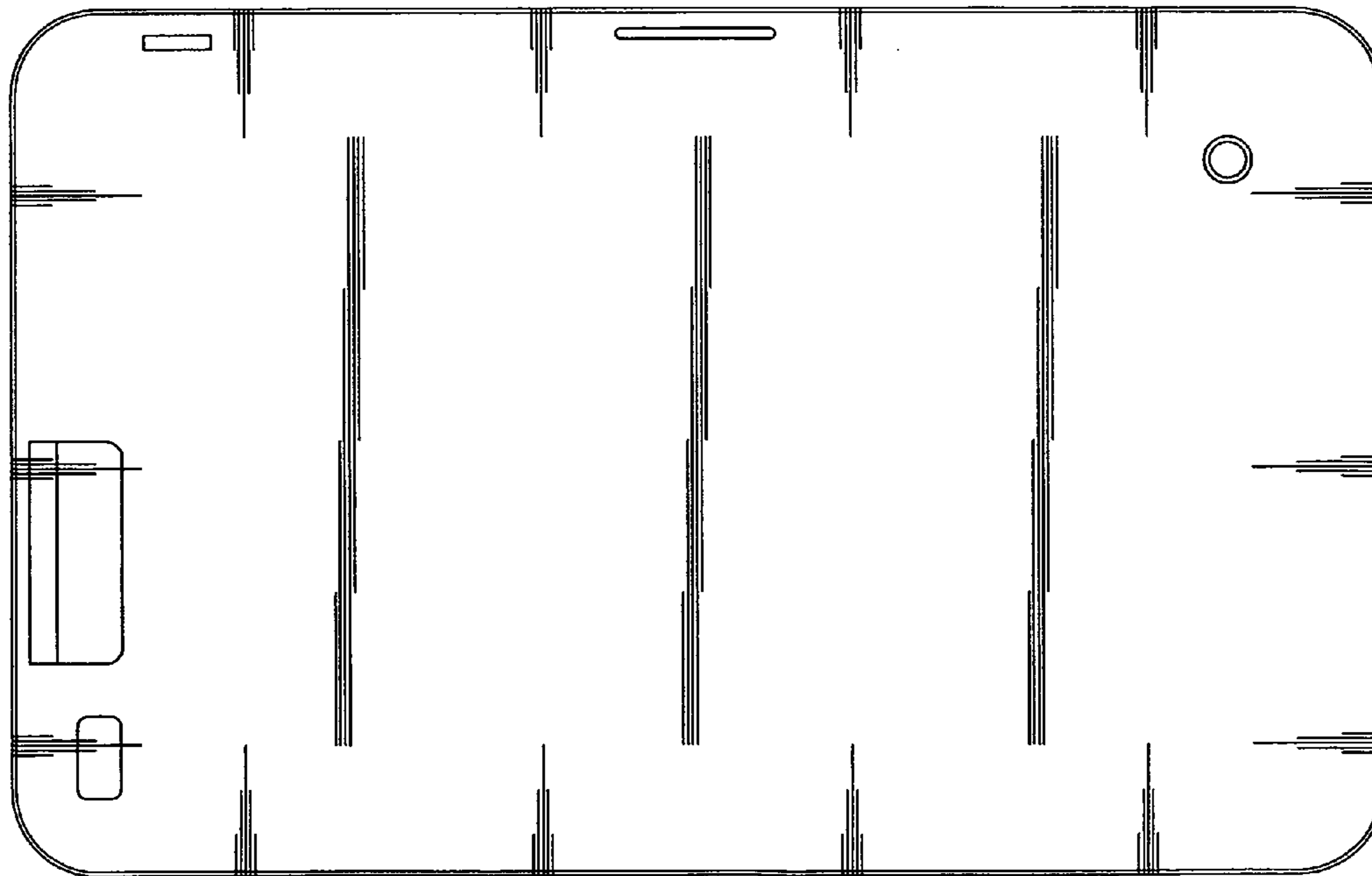


FIG. 3



FIG. 4

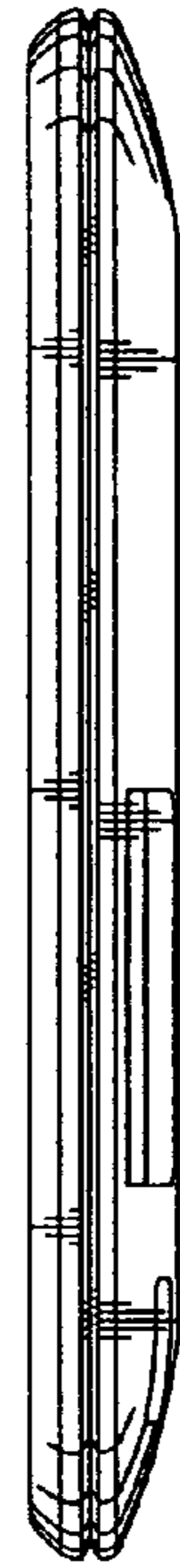


FIG. 5

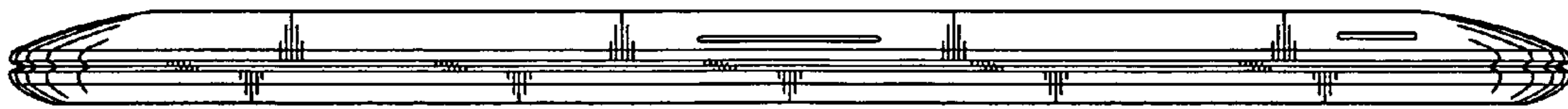


FIG. 6

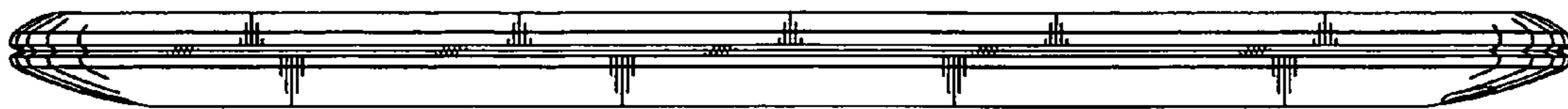


FIG. 7