



US00D650380S

(12) **United States Design Patent**  
**Ballout**

(10) **Patent No.:** **US D650,380 S**

(45) **Date of Patent:** **\*\* Dec. 13, 2011**

(54) **ELECTRONIC DEVICE**

(76) **Inventor:** **Rabih S. Ballout**, Burlingame, CA (US)

(\*\*) **Term:** **14 Years**

(21) **Appl. No.:** **29/382,166**

(22) **Filed:** **Dec. 29, 2010**

(51) **LOC (9) Cl.** ..... **14-02**

(52) **U.S. Cl.** ..... **D14/331; D14/341**

(58) **Field of Classification Search** ..... D14/315-327,  
D14/331, 343, 455; D18/1, 2, 7, 11; 235/145 A,  
235/145 R; 341/22, 23; 345/156, 157, 168,  
345/169, 173, 1.1; 361/679.08, 679.09, 679.11,  
361/679.26, 679.27; 348/373; 715/783;  
400/486, 489

See application file for complete search history.

(56) **References Cited**

**U.S. PATENT DOCUMENTS**

D382,545 S	8/1997	Imai et al.	
D389,140 S	1/1998	Buhrmann	
D401,914 S *	12/1998	Kamegi	D14/343
D428,004 S	7/2000	Colvin	
D448,764 S	10/2001	Marsalka et al.	
6,490,154 B2 *	12/2002	Thompson	361/679.41
6,714,403 B2 *	3/2004	Furuki et al.	361/679.09
D492,680 S	7/2004	Avery	
D506,195 S	6/2005	Leveridge et al.	
D514,098 S	1/2006	Huang et al.	
D519,500 S *	4/2006	Maskatia et al.	D14/318
D519,559 S *	4/2006	Mehta	D19/26
D531,609 S	11/2006	Kim et al.	
D549,197 S	8/2007	Cunningham et al.	
D554,610 S	11/2007	Kim et al.	
D559,823 S	1/2008	Kim et al.	
D563,355 S	3/2008	Hwang et al.	
D573,125 S	7/2008	Lee	
D574,801 S	8/2008	Arnold	
D580,433 S	11/2008	Chiang et al.	
D580,930 S *	11/2008	Chien et al.	D14/346
D584,304 S	1/2009	Lin	
D584,726 S *	1/2009	Morita	D14/341
D585,444 S	1/2009	Verschoor	

D590,807 S	4/2009	Kim et al.	
D595,288 S	6/2009	Roach et al.	
D599,792 S *	9/2009	Lin	D14/331
D601,992 S	10/2009	Choi et al.	
D621,827 S *	8/2010	Cheng et al.	D14/327
D626,124 S *	10/2010	Chyan et al.	D14/341
2003/0223185 A1 *	12/2003	Doczy et al.	361/680
2007/0259702 A1 *	11/2007	Kemppinen	455/575.4
2010/0149104 A1 *	6/2010	Sim et al.	345/169

\* cited by examiner

*Primary Examiner* — Freda Nunn

(74) *Attorney, Agent, or Firm* — QuickPatents, Inc.; Kevin Prince

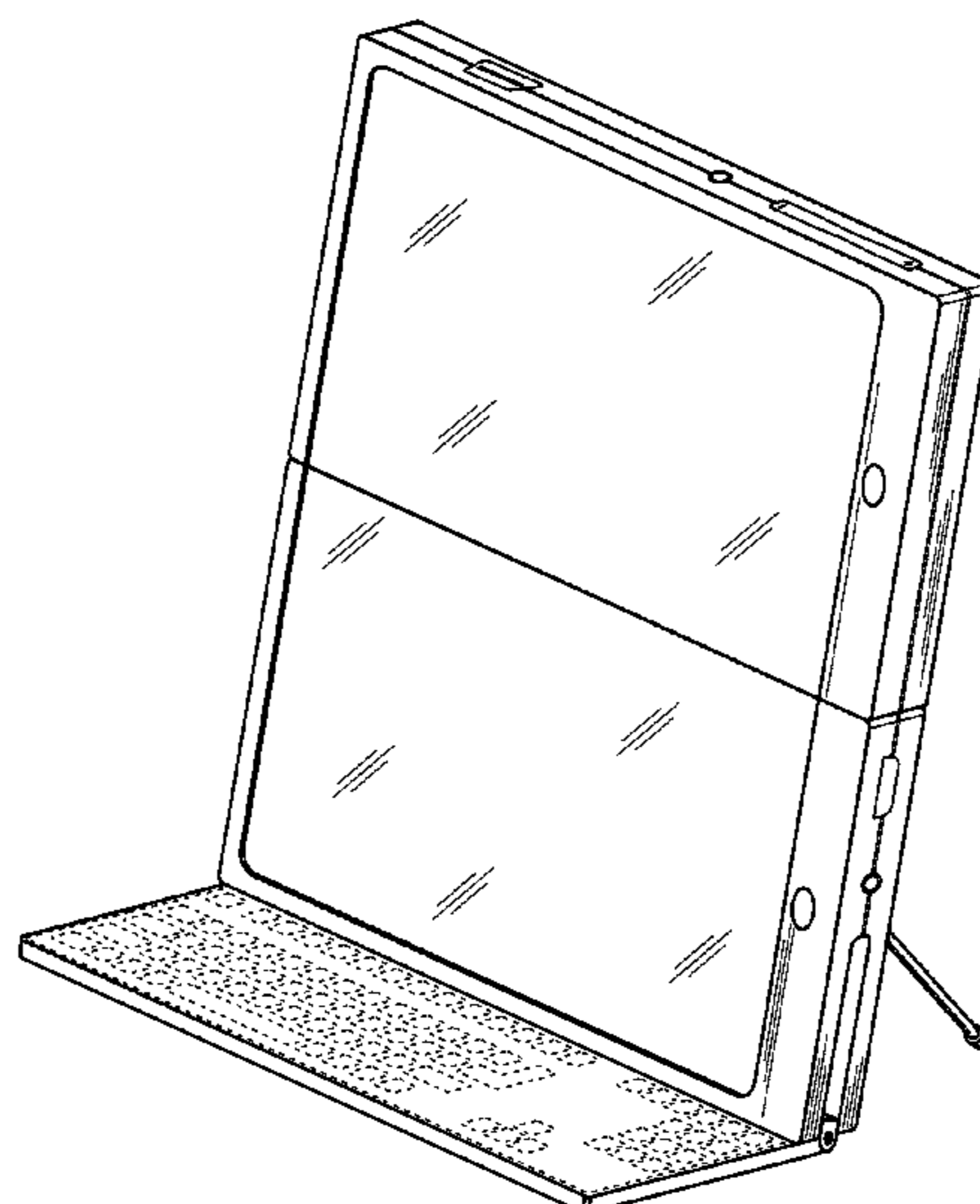
(57) **CLAIM**

The ornamental design for an electronic device, as shown and described.

**DESCRIPTION**

FIG. 1 is a front perspective view of an electronic device, showing the new design in an extended position; FIG. 2 is a rear perspective view of FIG. 1; FIG. 3 is a front elevational view of FIG. 1; FIG. 4 is a rear elevational view of FIG. 1; FIG. 5 is a right-side elevational view of FIG. 1; FIG. 6 is a left-side elevational view of FIG. 1; FIG. 7 is a top plan view of FIG. 1; FIG. 8 is a bottom plan view of FIG. 1; FIG. 9 is a perspective view thereof, illustrated in a fully collapsed configuration; FIG. 10 is a perspective view thereof, illustrated in a collapsed configuration with a keyboard extended; FIG. 11 is a front elevational view of FIG. 9; FIG. 12 is a right side elevational view of FIG. 9; FIG. 13 is a left-side elevational view of FIG. 9; FIG. 14 is a top plan view of FIG. 9; and, FIG. 15 is a bottom plan view of FIG. 9. The broken line showing of the keys in FIGS. 1, 2, 7, and 10, and the hinges in FIG. 14 is for environmental purposes only and forms no part of the claimed design.

**1 Claim, 7 Drawing Sheets**



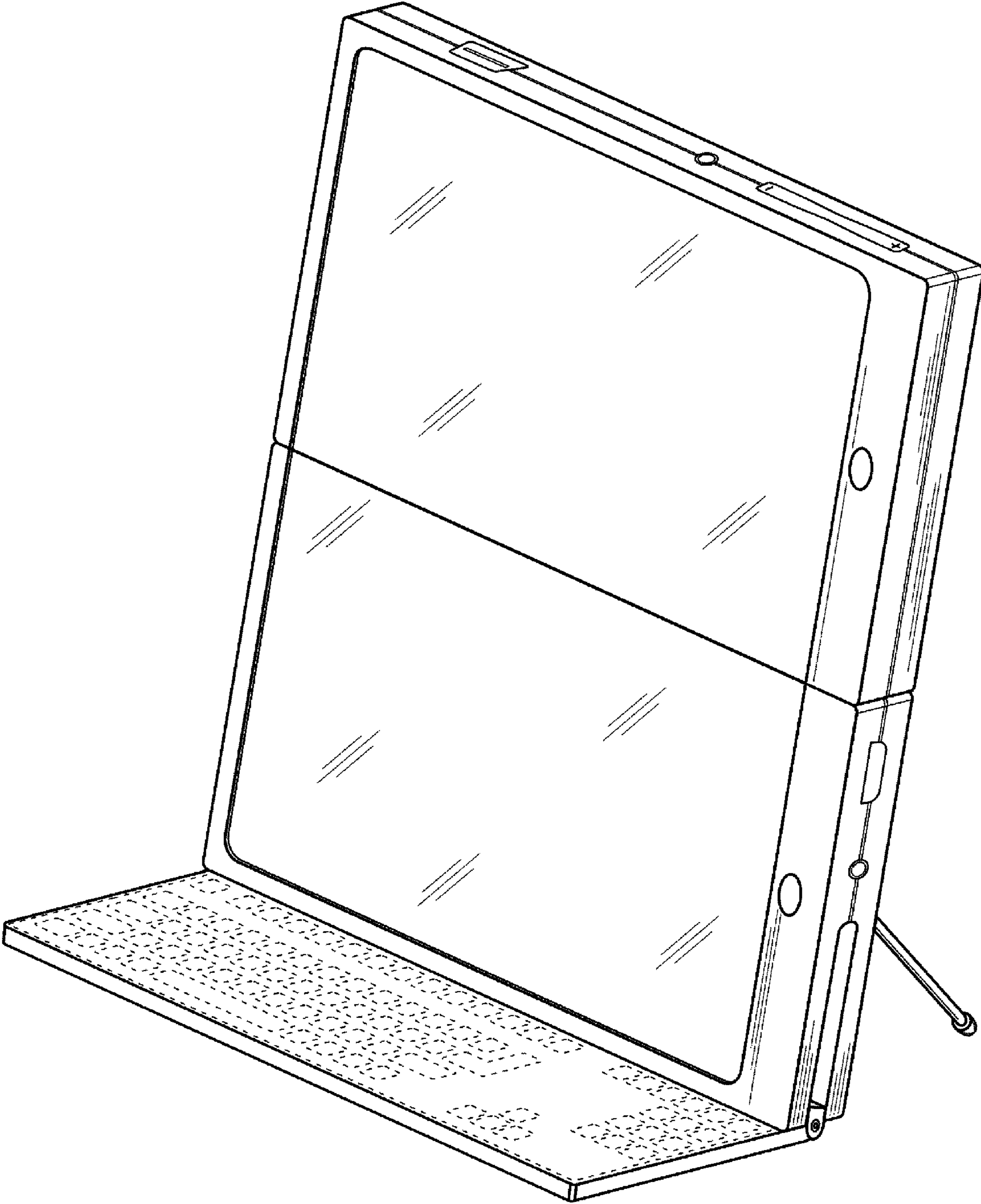


FIG. 1

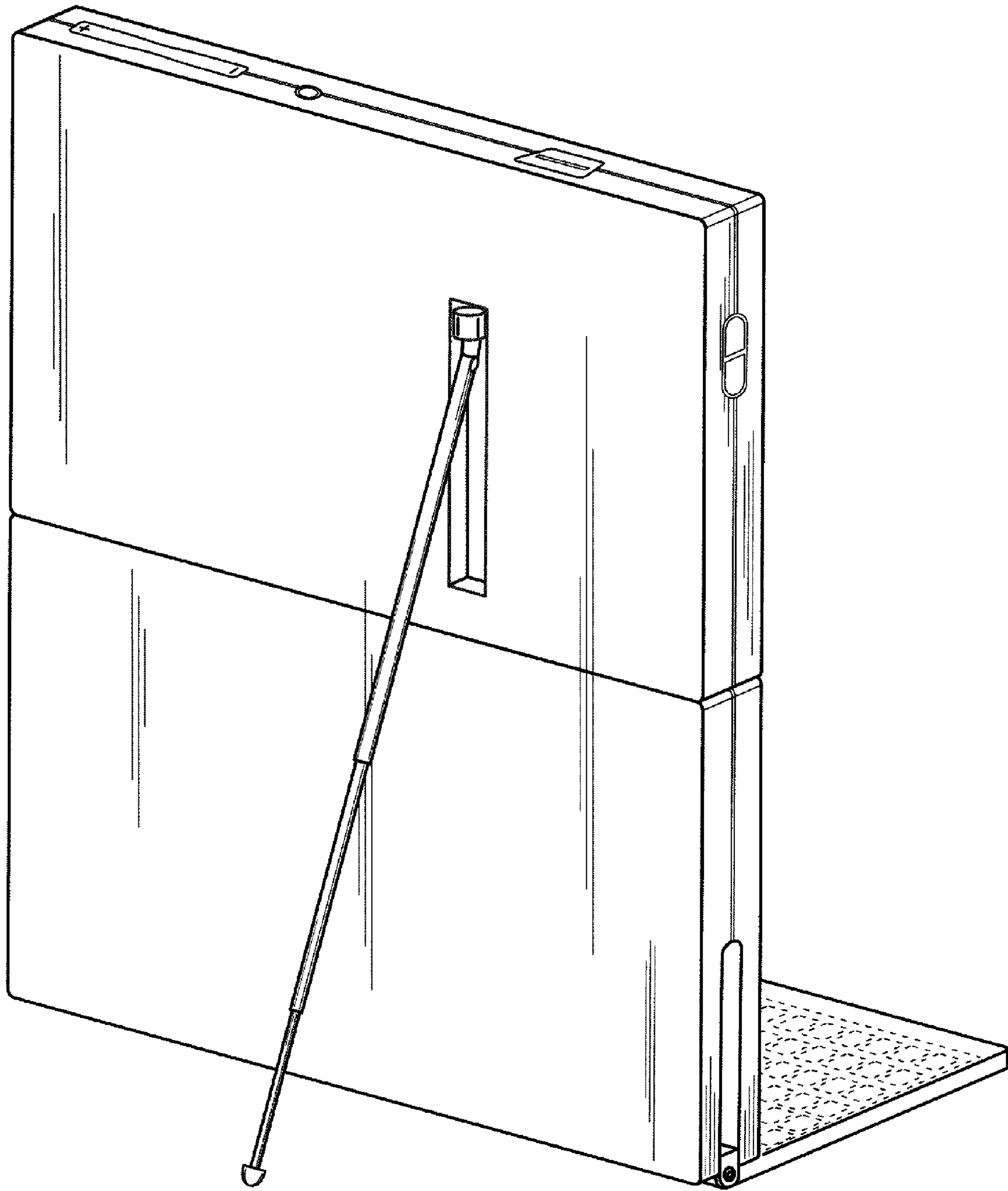


FIG. 2

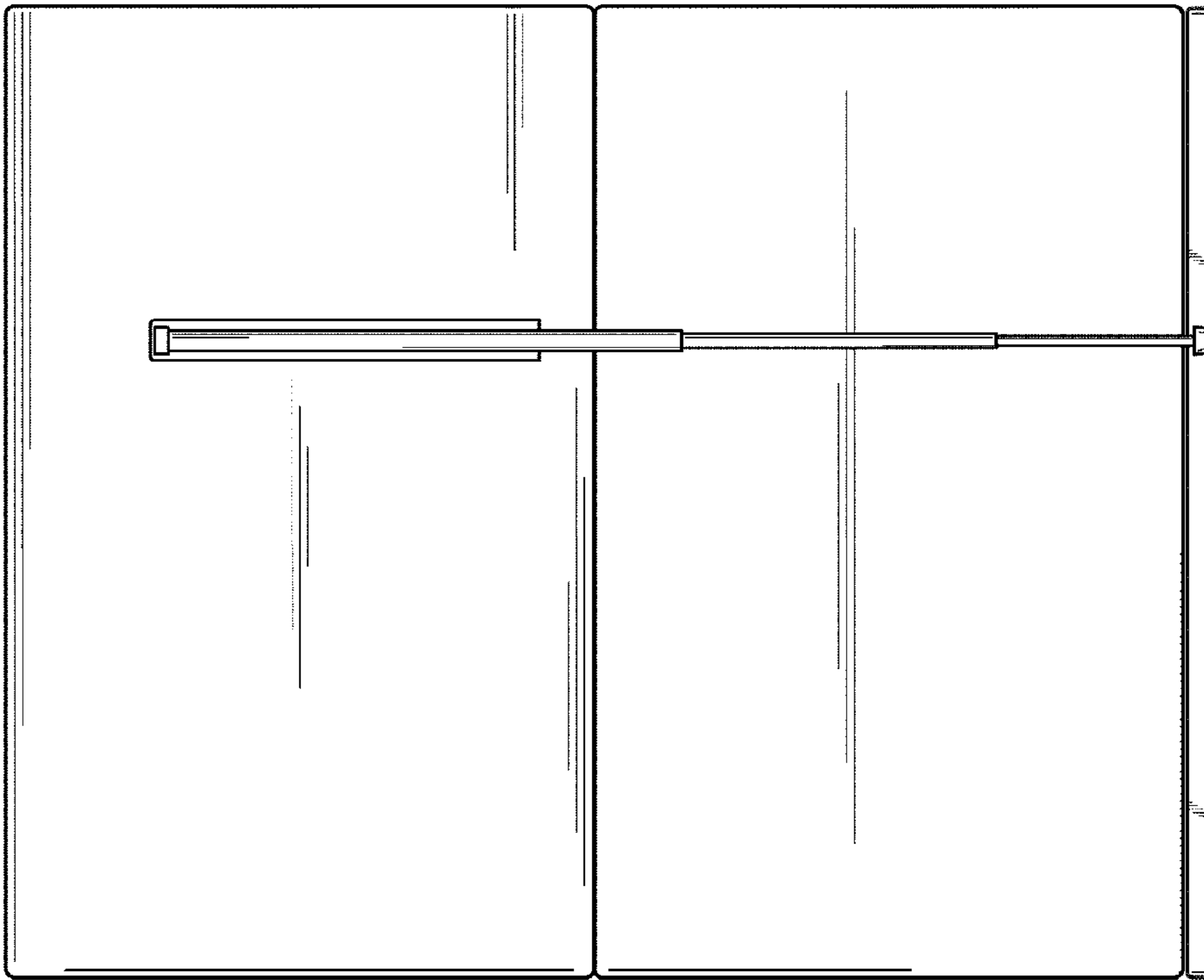


FIG. 4

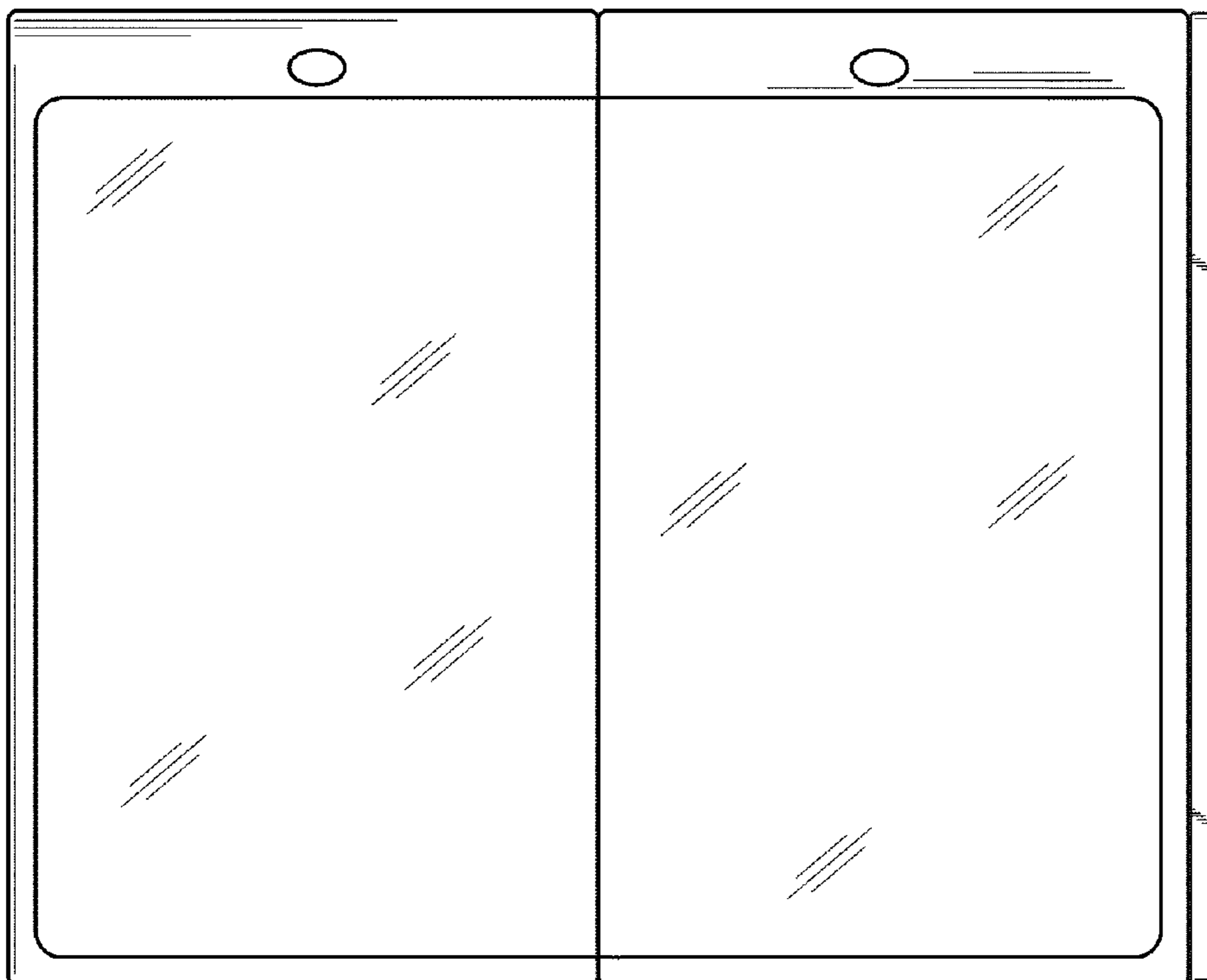


FIG. 3

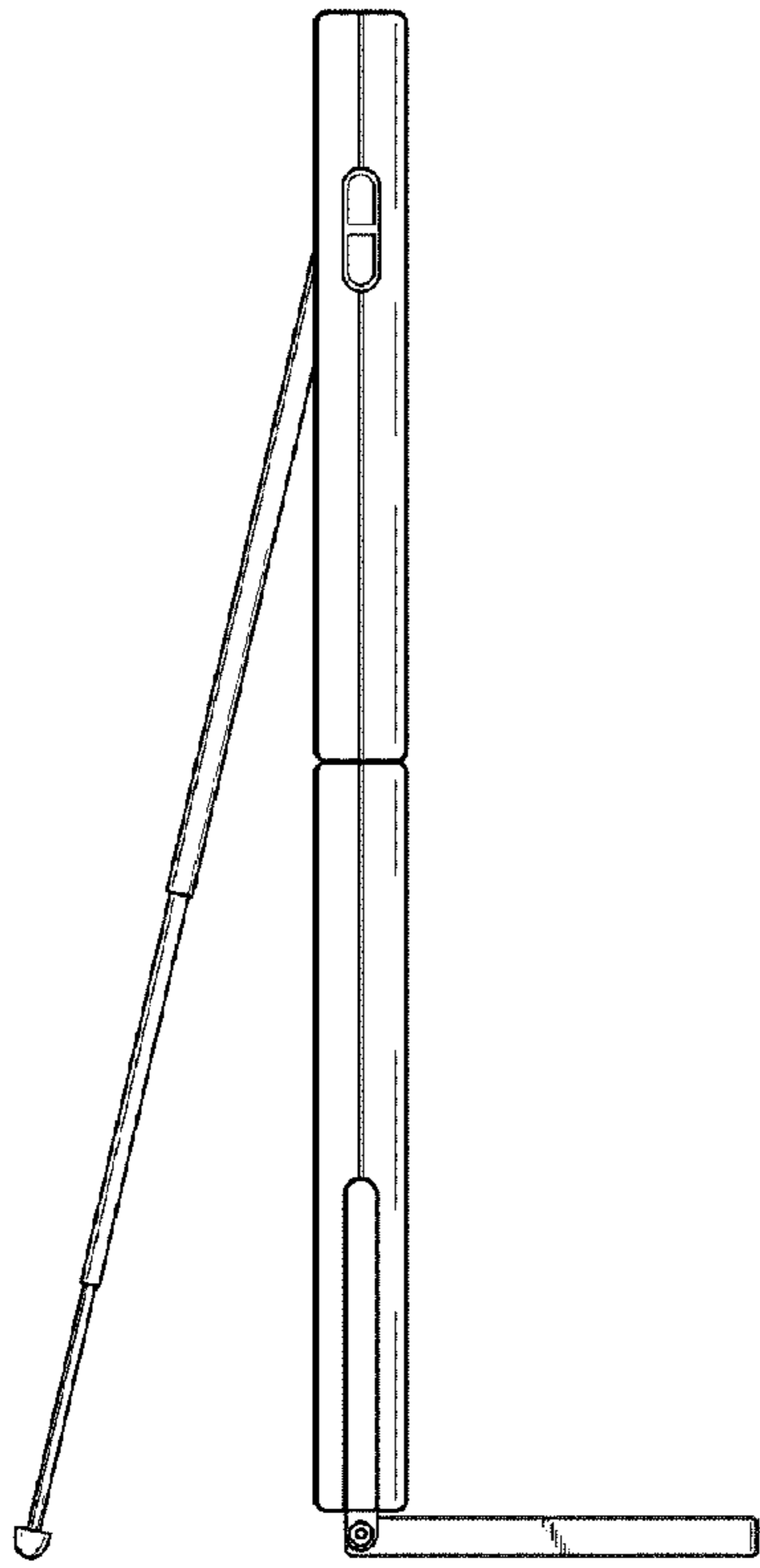


FIG. 5

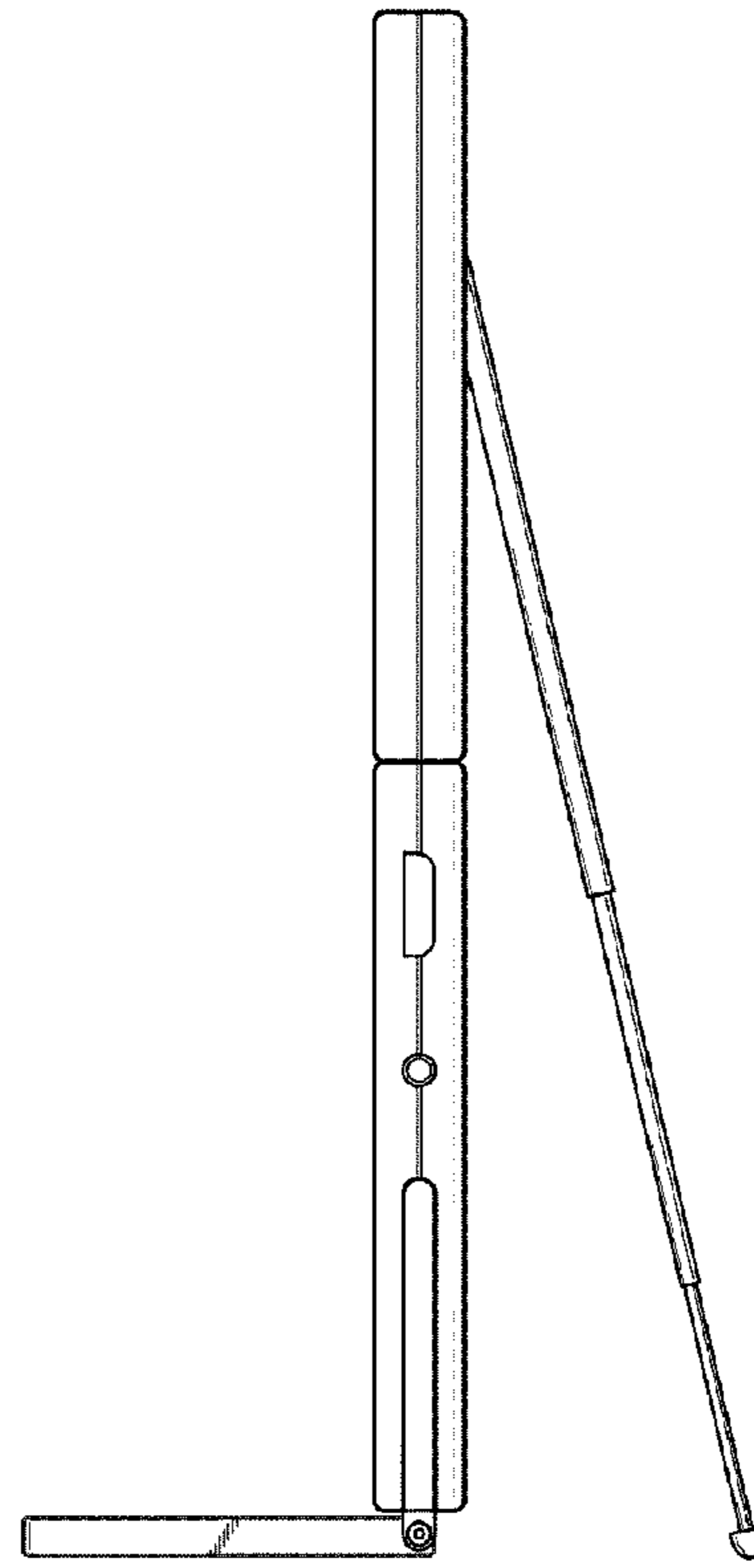


FIG. 6

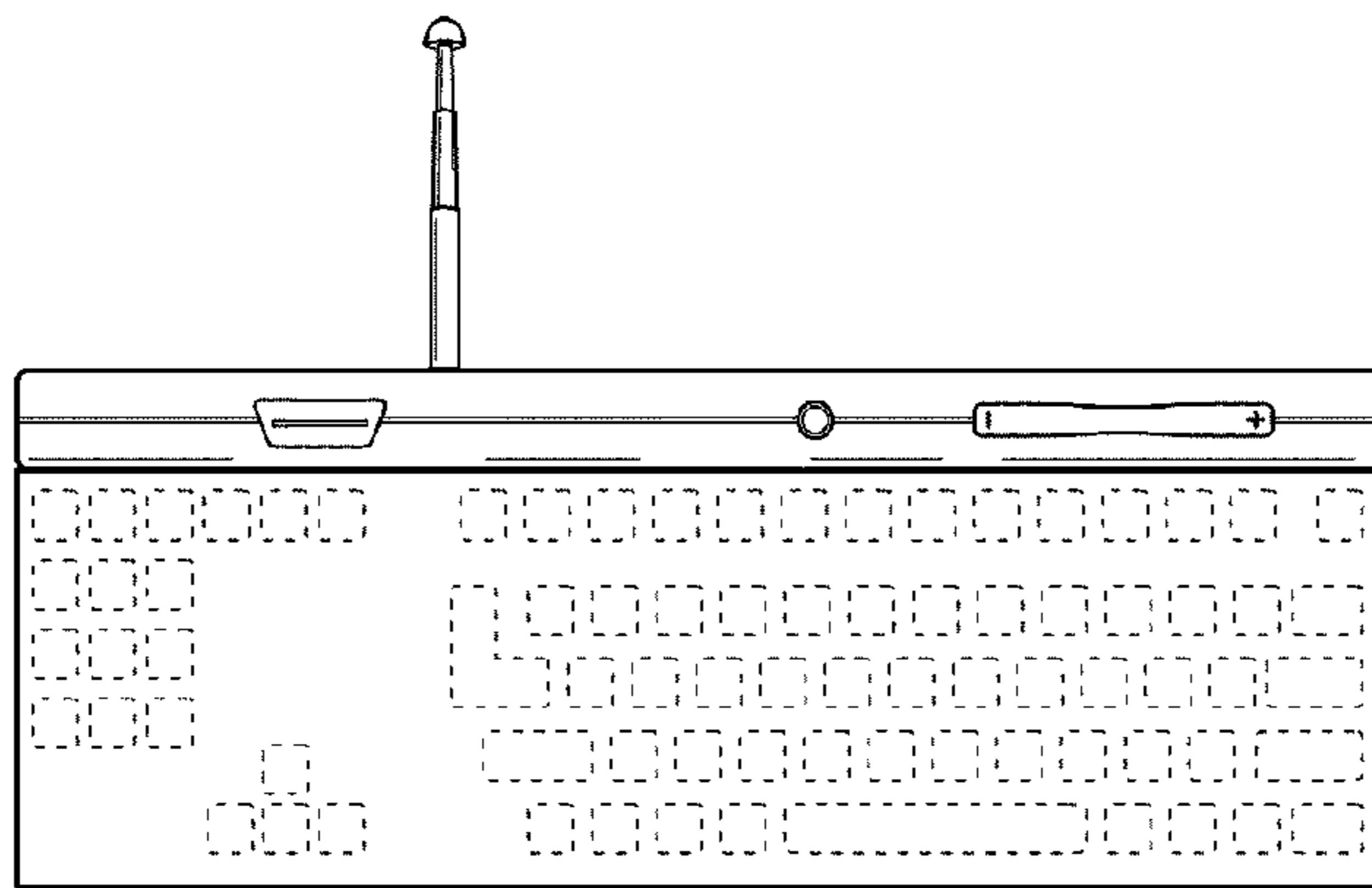


FIG. 7

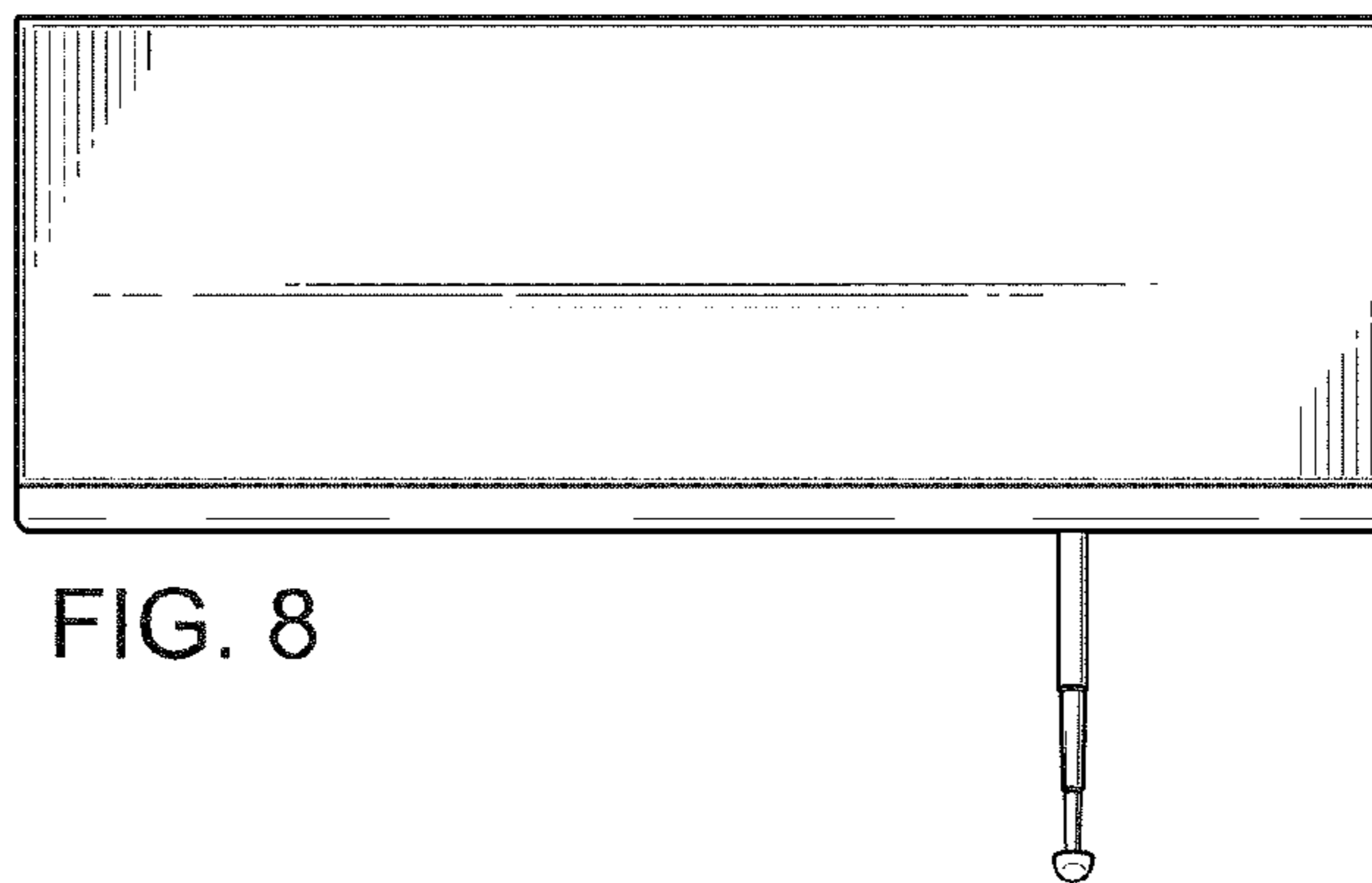


FIG. 8

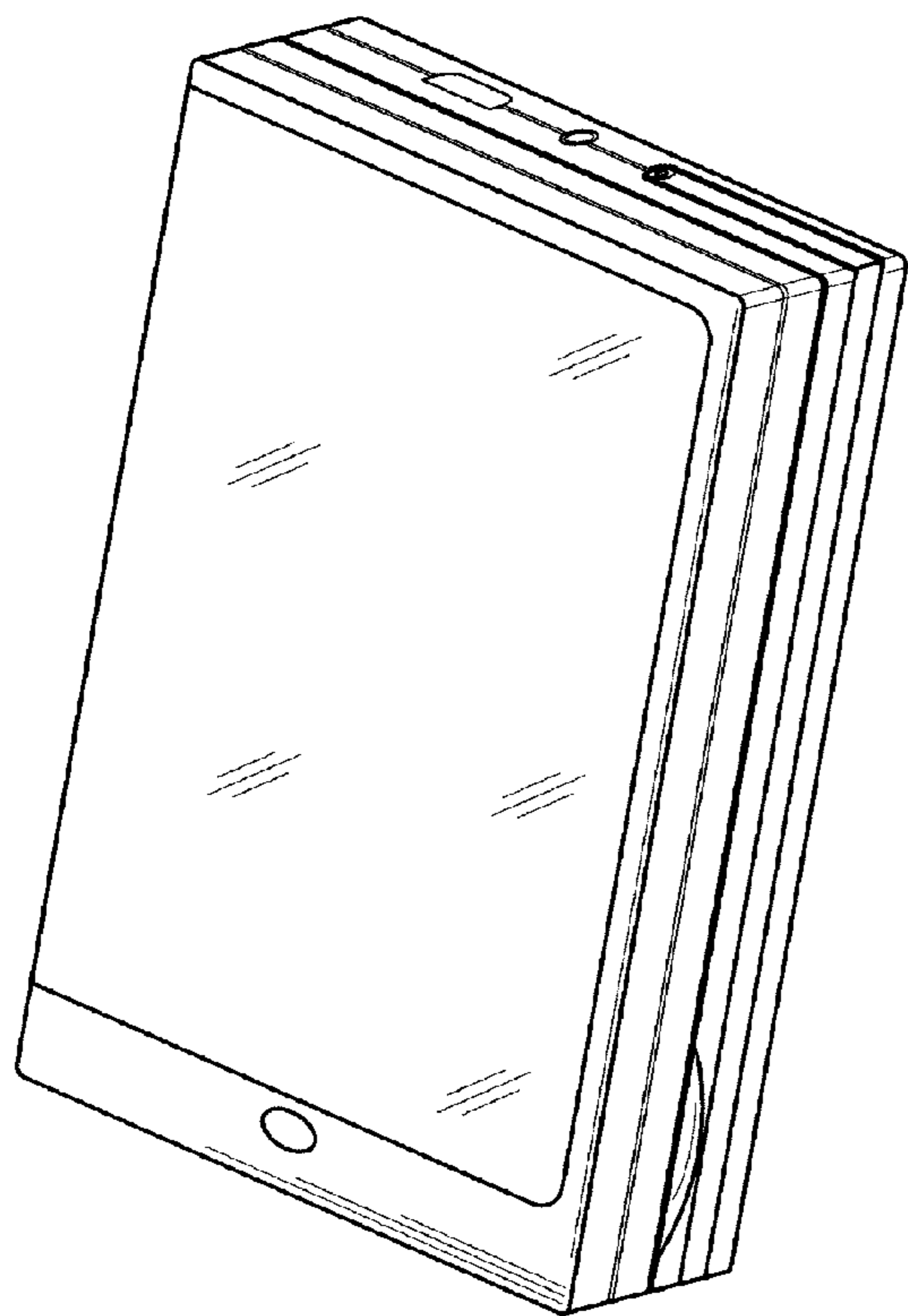


FIG. 9

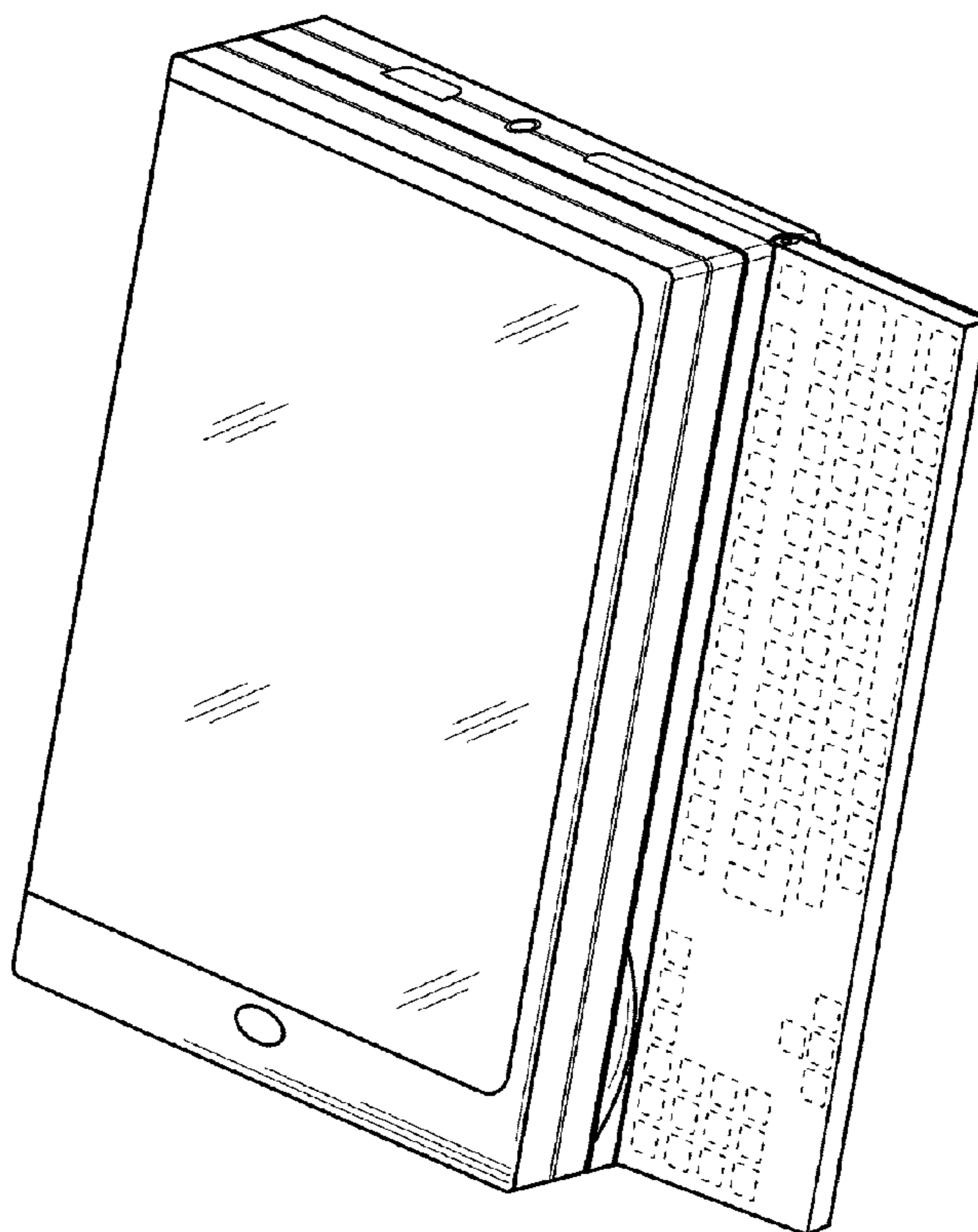


FIG. 10

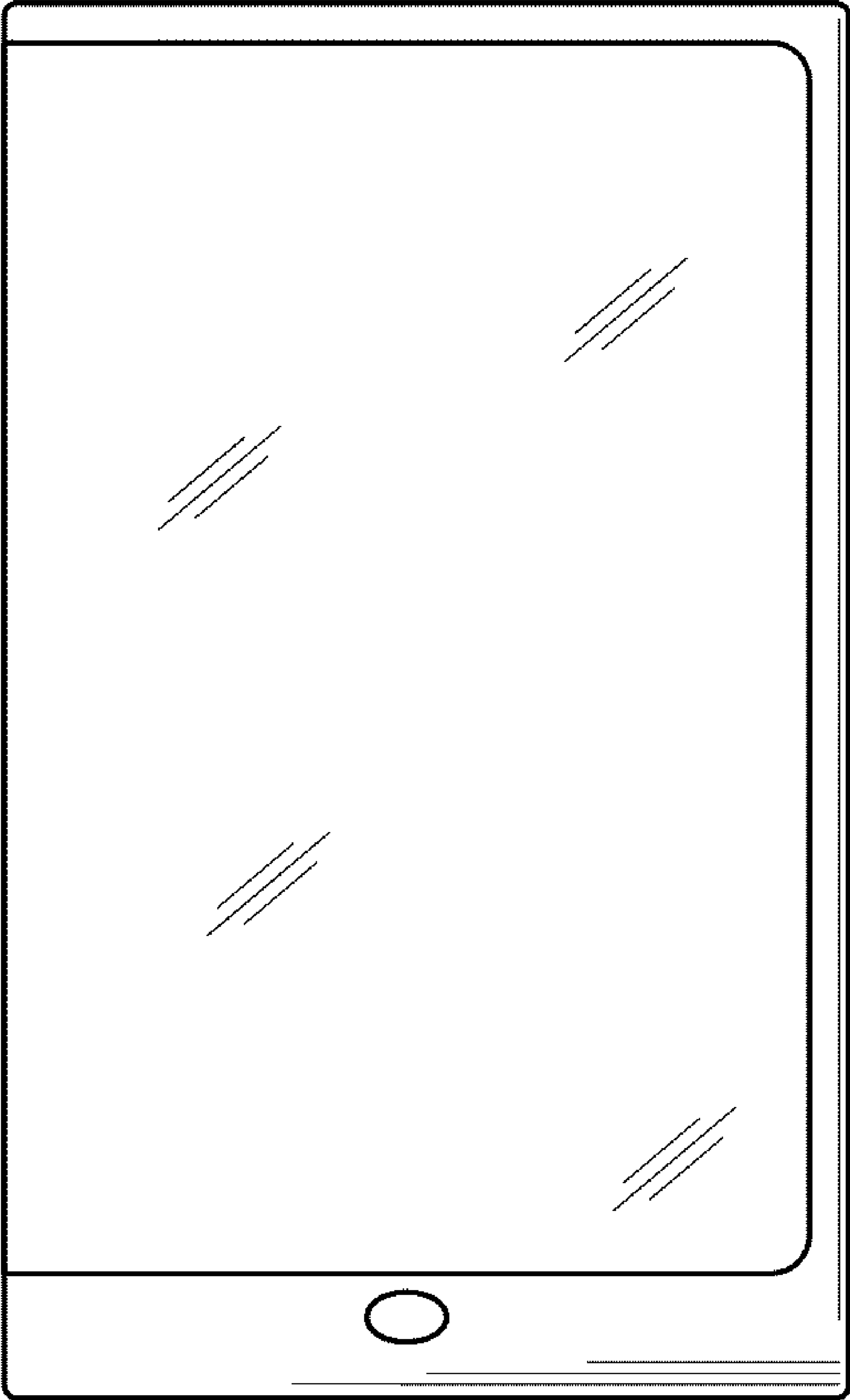


FIG. 11

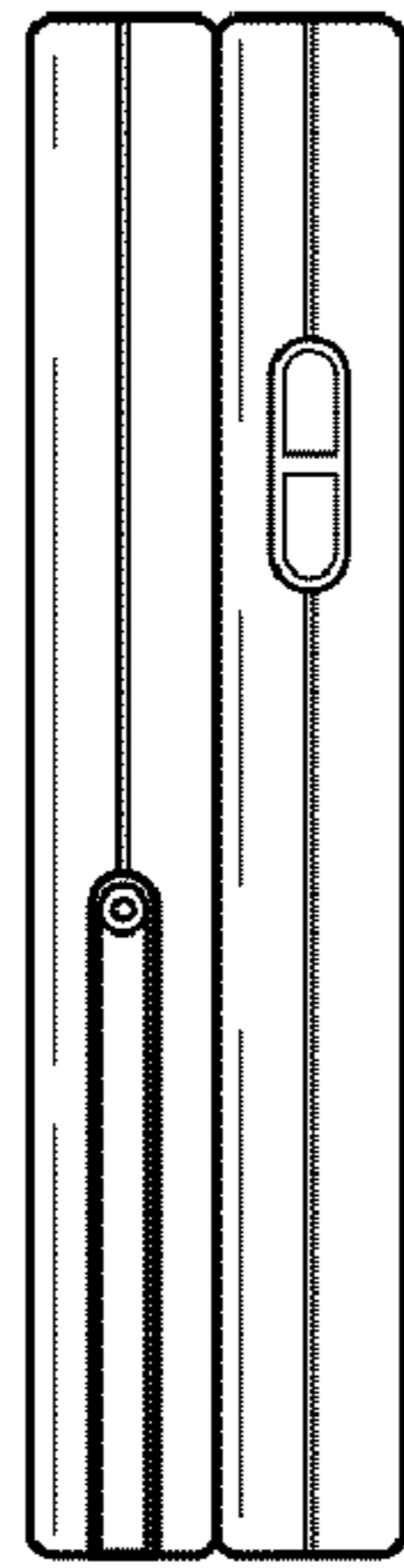


FIG. 12

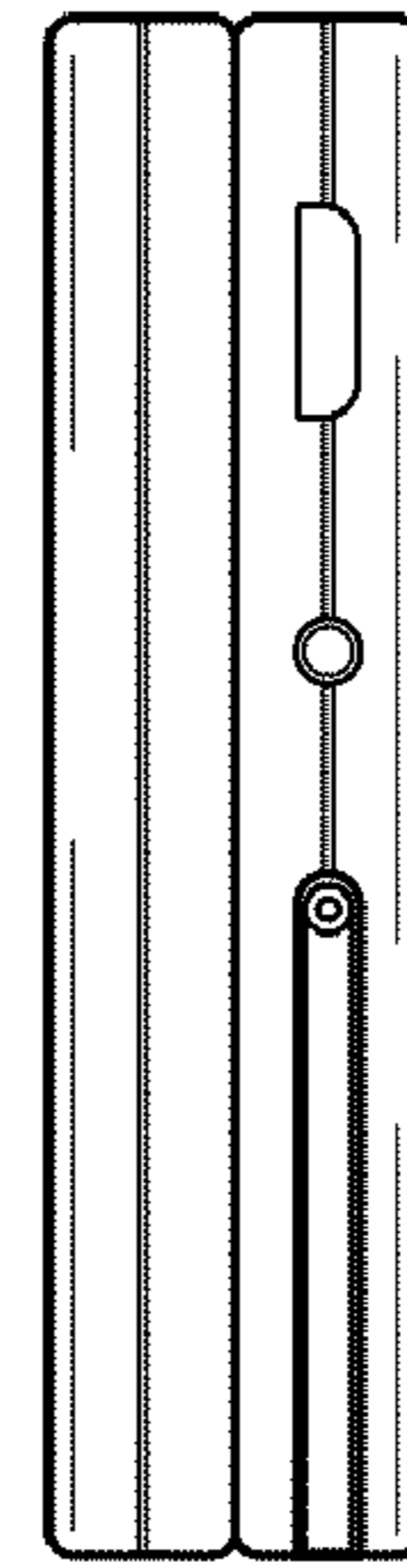


FIG. 13

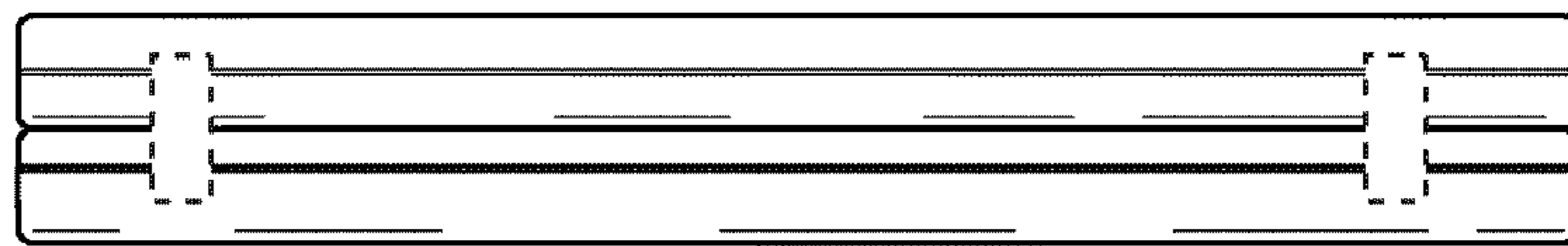


FIG. 14



FIG. 15