



US00D650376S

(12) **United States Design Patent**
Wibby et al.

(10) **Patent No.:** **US D650,376 S**

(45) **Date of Patent:** **** Dec. 13, 2011**

(54) **CASE**

(75) Inventors: **Adam Wibby**, Fort Collins, CO (US);
Alan Morine, Fort Collins, CO (US)

(73) Assignee: **Otter Products, LLC**, Fort Collins, CO
(US)

(**) Term: **14 Years**

(21) Appl. No.: **29/390,208**

(22) Filed: **Apr. 21, 2011**

(51) **LOC (9) Cl.** **14-03**

(52) **U.S. Cl.** **D14/250**

(58) **Field of Classification Search** D14/250–253,
D14/440, 203.3–203.7, 217, 496, 248; D3/201,
D3/218, 269, 301, 273, 303; D13/103, 107–108;
220/4.02; 248/309.1; 361/679.56; 379/426,
379/433.11, 455; 455/575.1, 575.8; 190/100;
206/305, 320

See application file for complete search history.

(56) **References Cited**

U.S. PATENT DOCUMENTS

D575,056	S	*	8/2008	Tan	D3/218
D597,089	S	*	7/2009	Khan et al.	D14/250
D600,908	S	*	9/2009	Richardson et al.	D3/218
D603,389	S	*	11/2009	Khan et al.	D14/250
D603,603	S	*	11/2009	Laine et al.	D3/218
D606,529	S	*	12/2009	Ferrari et al.	D14/250
D609,228	S	*	2/2010	Ferrari et al.	D14/250
D609,463	S	*	2/2010	Bullen	D3/218
D615,967	S	*	5/2010	Richardson et al.	D14/250
D616,361	S	*	5/2010	Huang	D13/103
D617,787	S	*	6/2010	Richardson et al.	D14/250
D621,395	S	*	8/2010	Richardson et al.	D14/250
D621,821	S	*	8/2010	Richardson et al.	D14/250
D623,640	S	*	9/2010	Freeman	D14/250
D624,909	S	*	10/2010	Huskinson	D14/250
D624,910	S	*	10/2010	Richardson et al.	D14/250
D626,538	S	*	11/2010	Brown et al.	D14/250
D637,592	S	*	5/2011	Magness et al.	D14/250

D638,007	S	*	5/2011	Chang	D14/250
D644,639	S	*	9/2011	Weller et al.	D14/250
D645,852	S	*	9/2011	Nuovo et al.	D14/250
2010/0104814	A1	*	4/2010	Richardson et al.	428/156
2010/0240427	A1	*	9/2010	Lee	455/575.8

OTHER PUBLICATIONS

OtterBox iPhone 4 Reflex Series Case, <URL:http://www.otterbox.com/iPhone-4-Reflex-Series-Case/APL7-I4XXX,default,pd.html?dwvar_APL7-I4XXX_color=20&start=2&cgid=apple-iphone-4-cases>, retrieved from internet Sep. 29, 2011.*
OtterBox Reflex Series case for iPod touch 4th Generation, URL:http://www.otterbox.com/iPod-Touch-4th-Generation-Reflex-Series-Case/APL7-T4GXX,default,pd.html?wvar_APL7-T4GXX_color=20&start=2&cgid=ipod-touch-4th-generation-cases>, retrieved from internet Sep. 29, 2011.*

(Continued)

Primary Examiner — Robert M Spear
Assistant Examiner — Carla Wright

(57) **CLAIM**

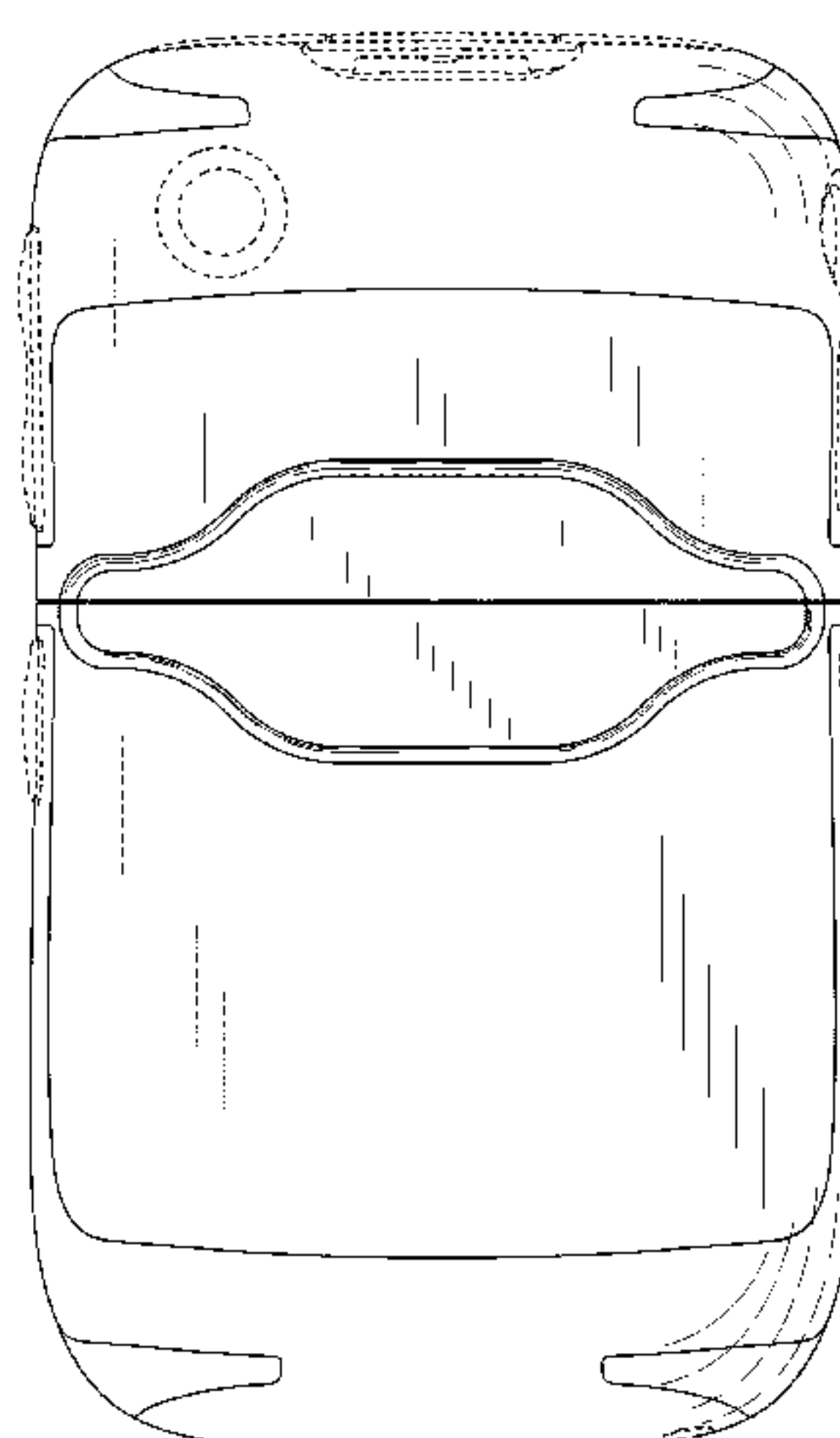
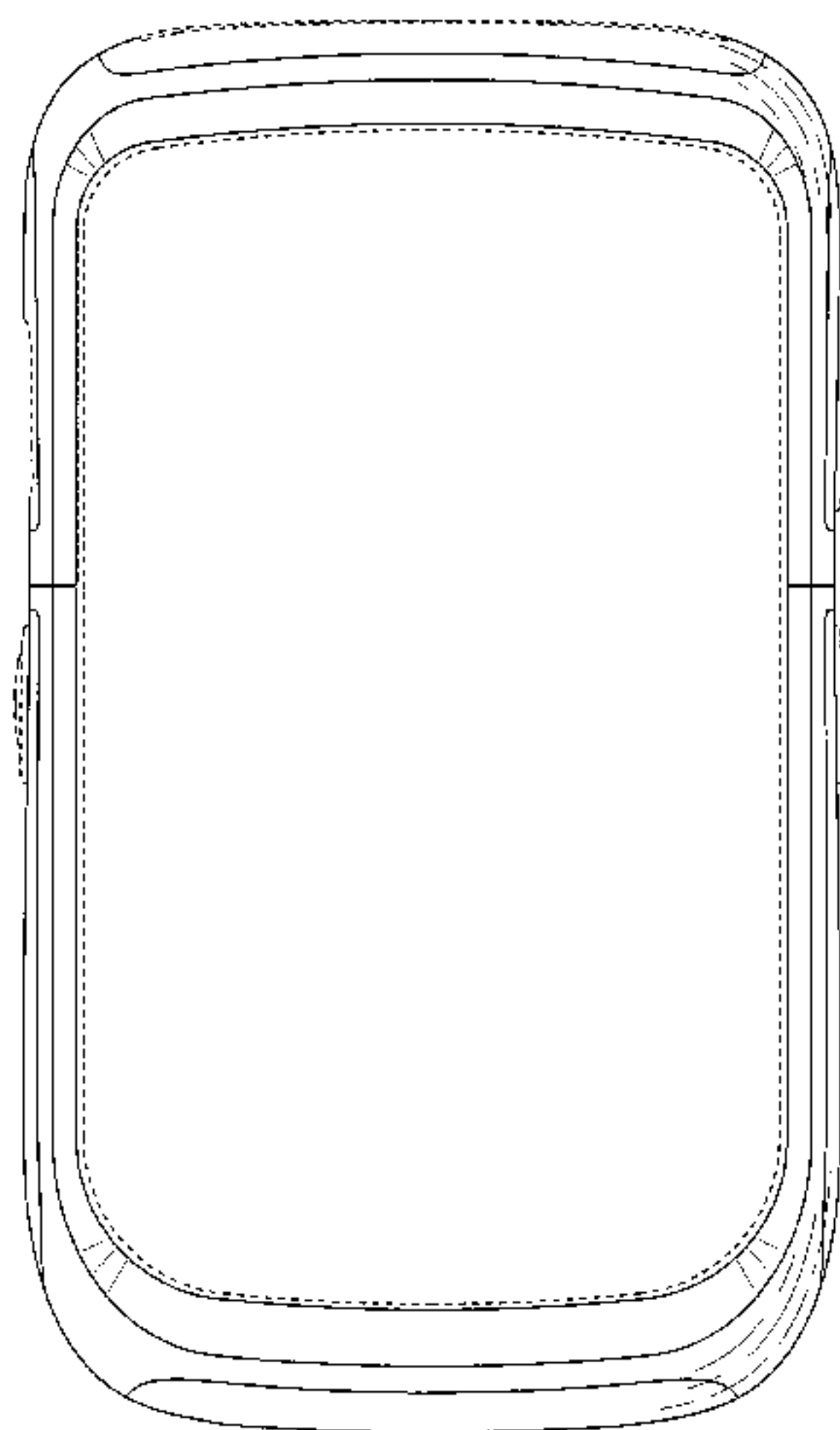
The ornamental design for a case, as shown and described.

DESCRIPTION

FIG. 1 is a front isometric view of a case showing our new design;
FIG. 2 is a rear isometric view thereof;
FIG. 3 is a front view thereof;
FIG. 4 is a rear view thereof;
FIG. 5 is a left view thereof;
FIG. 6 is a right view thereof;
FIG. 7 is a top view thereof; and,
FIG. 8 is a bottom view thereof.

The broken line perimeter of the large unshaded rectangular region on the front of the case in FIGS. 1 and 3 represents a boundary of the claimed design. All other broken lines depict unclaimed environment. The broken lines and unshaded regions bounded by broken lines form no part of the claimed design.

1 Claim, 6 Drawing Sheets



OTHER PUBLICATIONS

OtterBox Reflex Series for BlackBerry Curve 8500/9300, <URL:http://www.otterbox.com/BlackBerry-Curve-8500/9300-Reflex-Series-Case/RBB7-9300S,default.pd.html?dwvar_RBB7-9300S_color=20&start=3&q=reflex%20series>, retrieved from internet Sep. 29, 2011.*

2-Part Silver/Black Plastic Case Skin for BlackBerry Curve 8520 9300 3G, <URL:<http://www.mobilephonecoversandcases.co.uk/2-part-silverblack-plastic-case-skin-for-blackberry-curve-8520-9300-3g-1300-p.asp>>, retrieved from internet Sep. 29, 2011.*

* cited by examiner

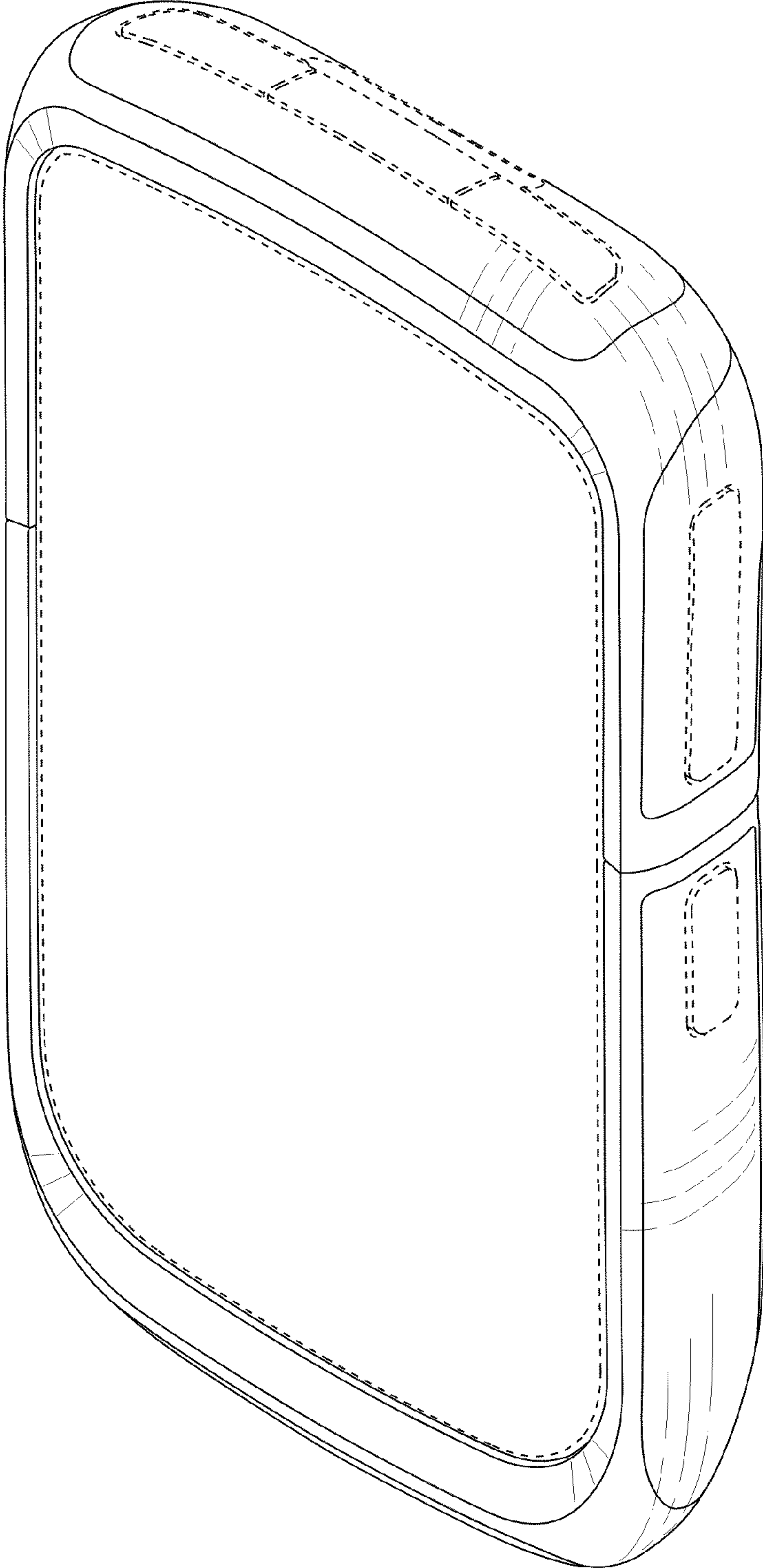


FIG. 1

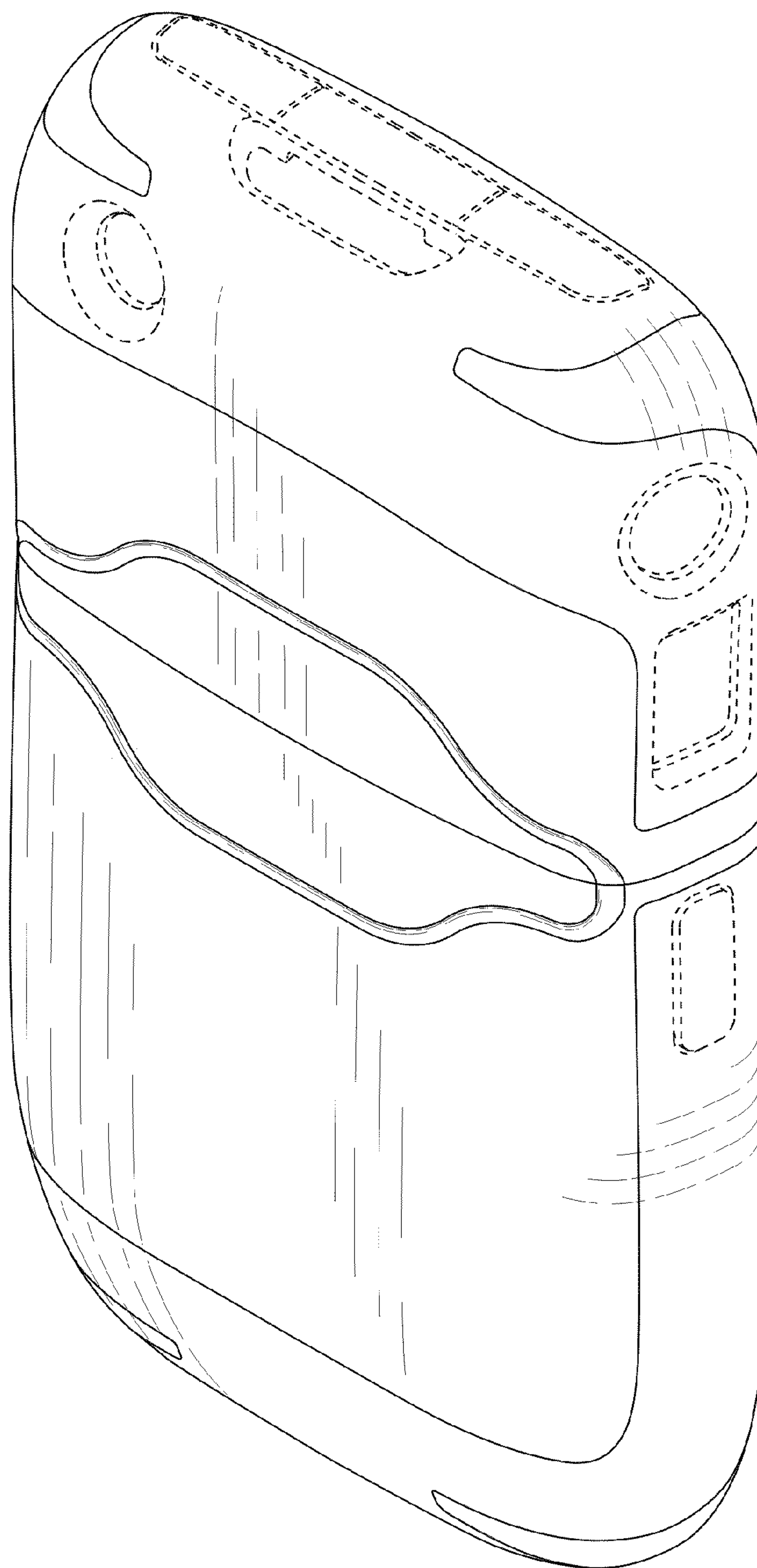


FIG. 2

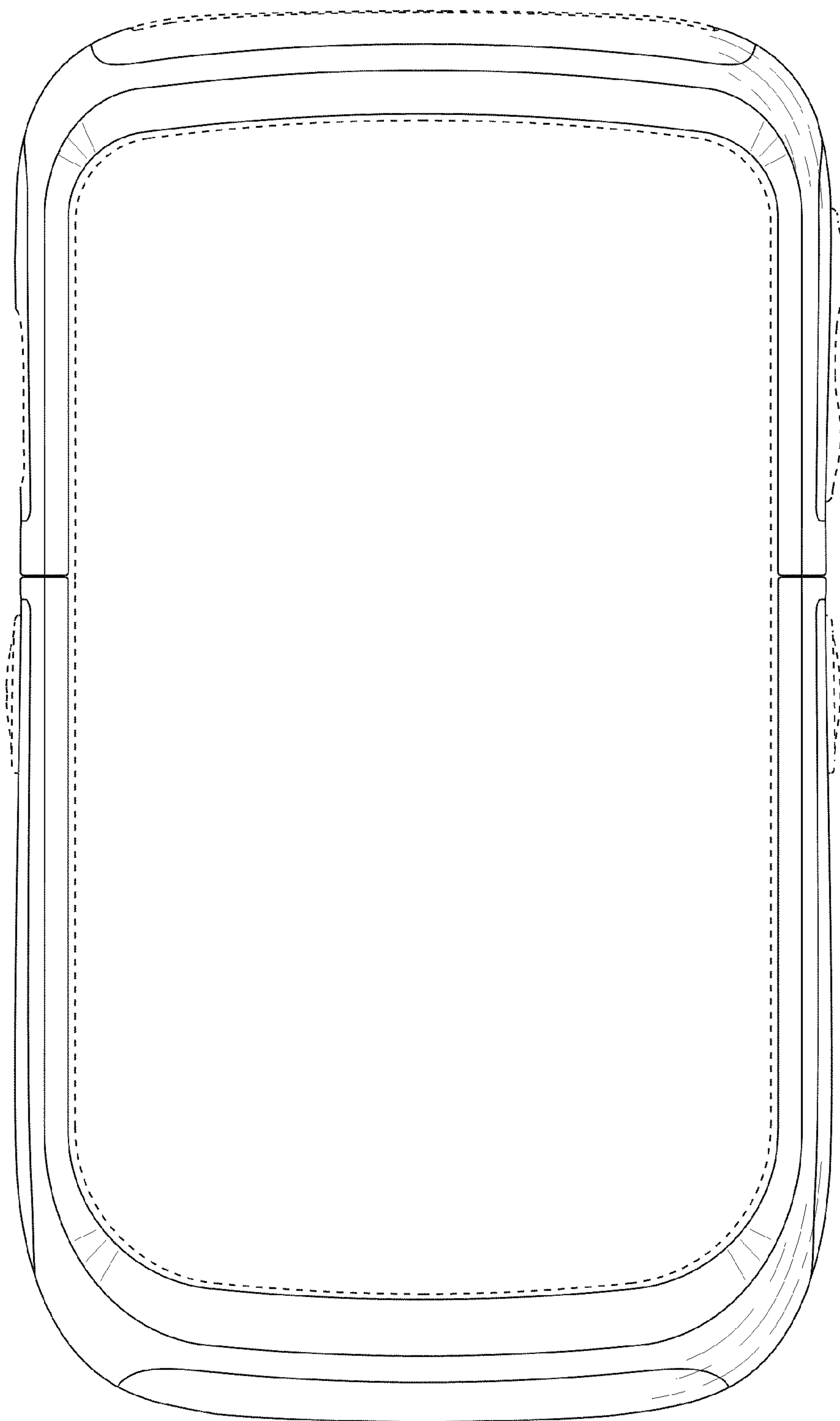


FIG. 3

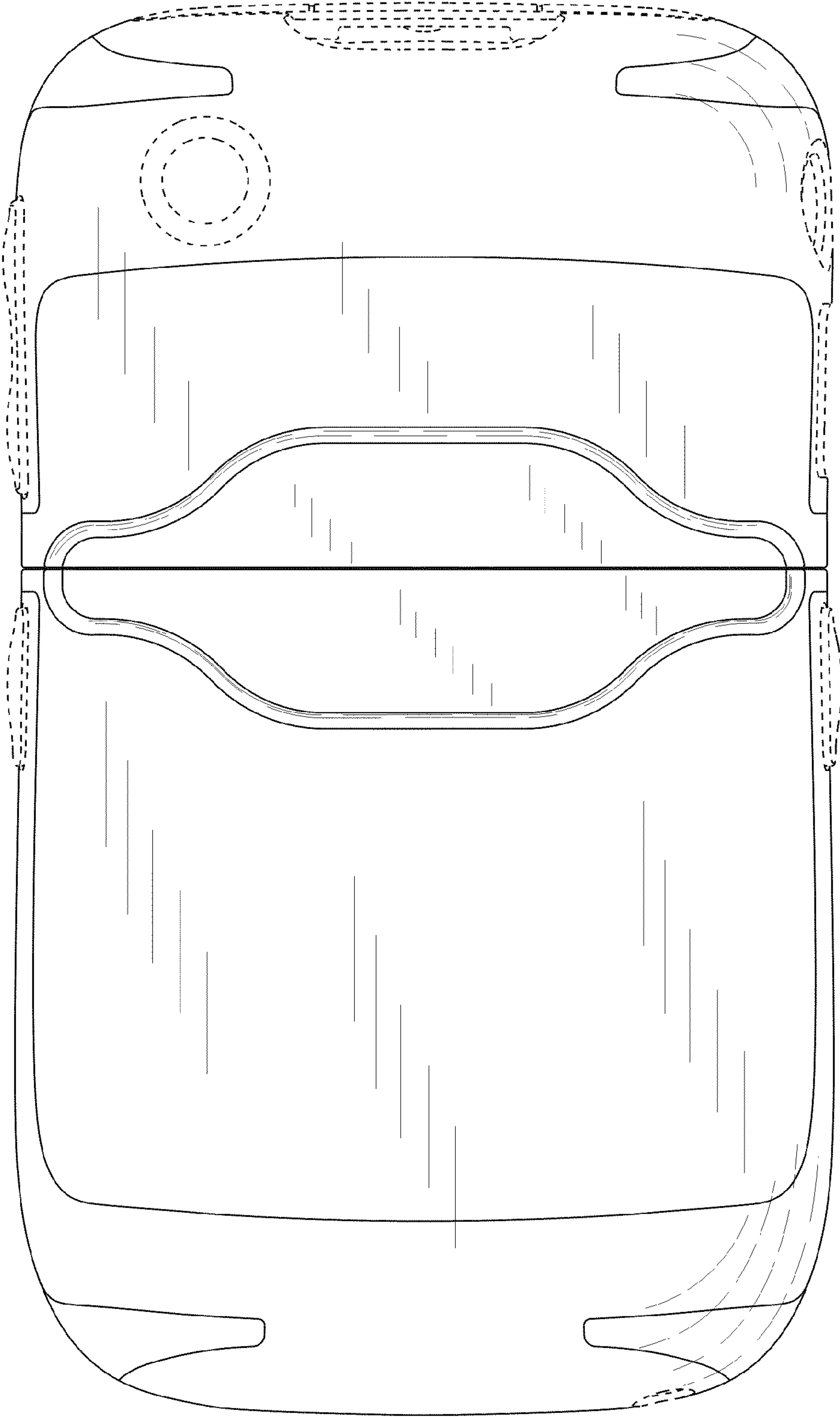


FIG. 4

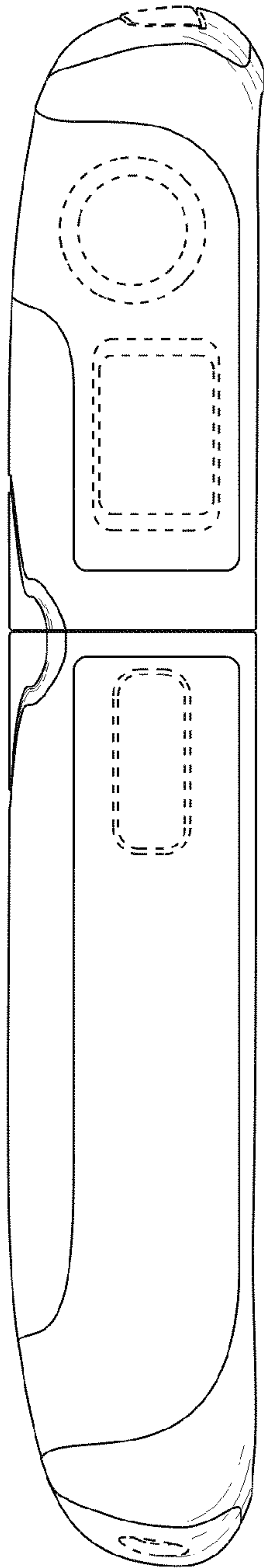


FIG. 5

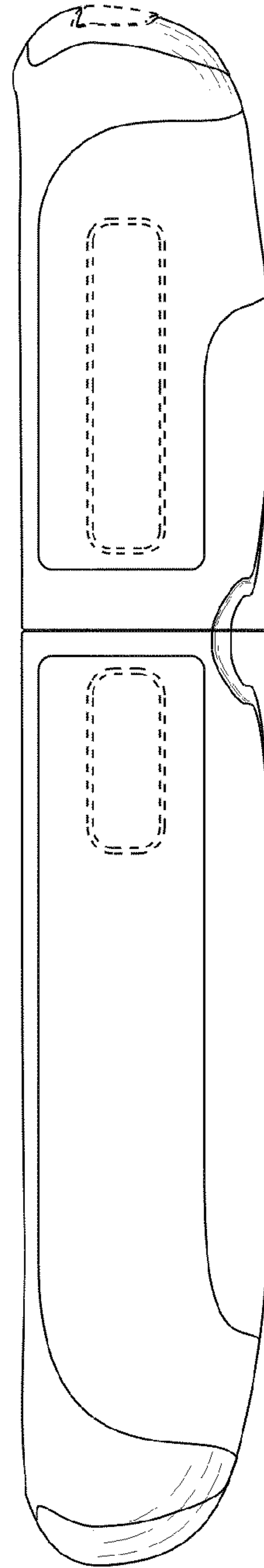


FIG. 6

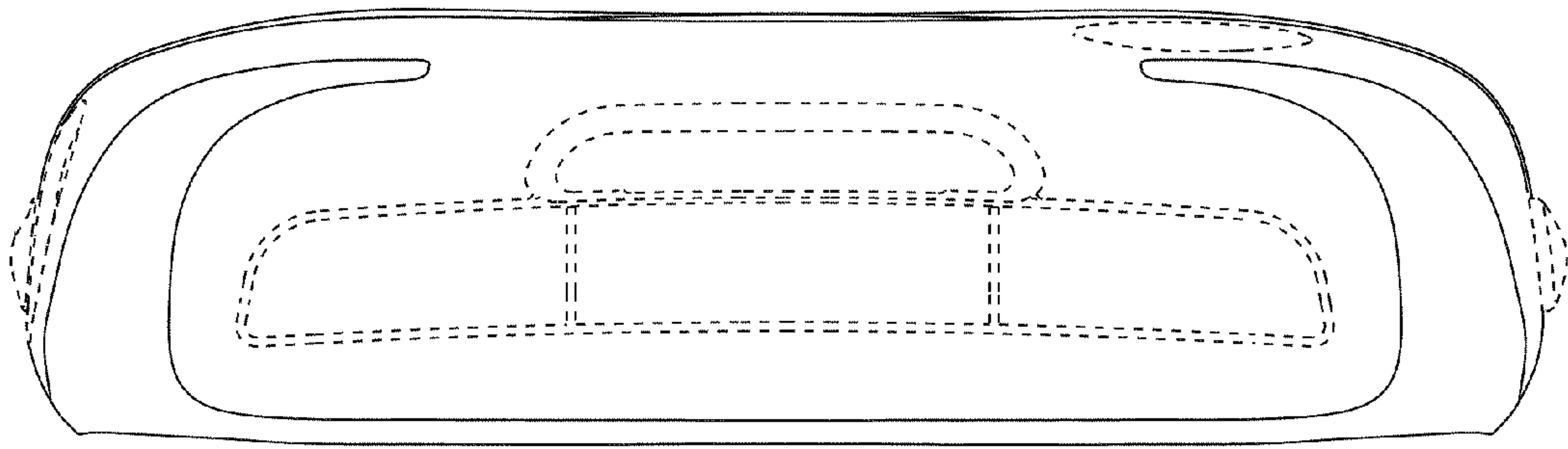


FIG. 7

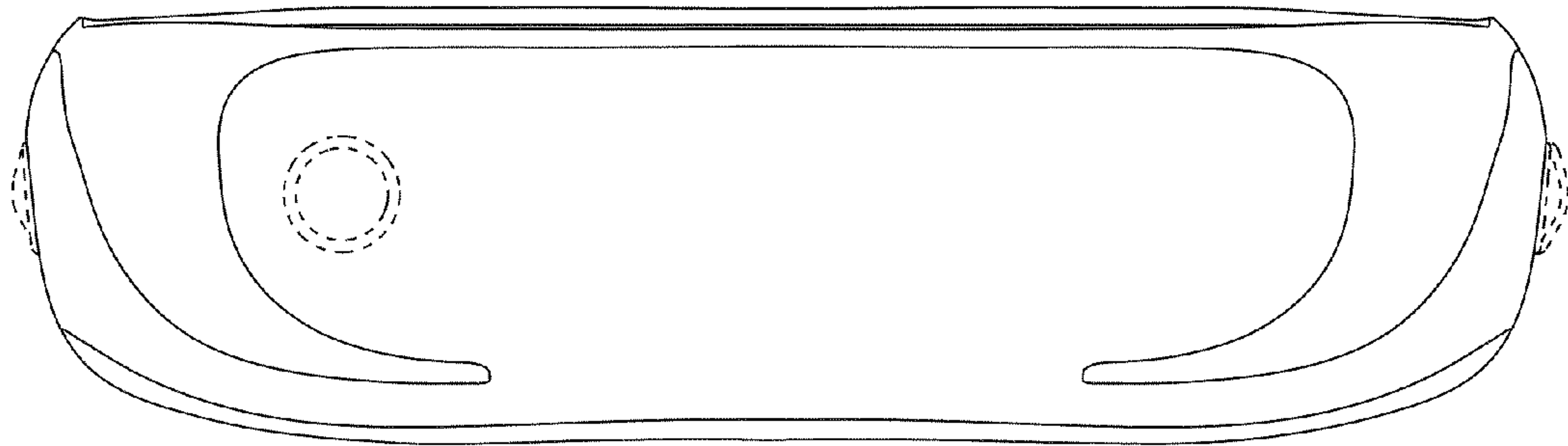


FIG. 8