

US00D650373S

(12) **United States Design Patent**
Stemple

(10) **Patent No.:** **US D650,373 S**

(45) **Date of Patent:** **** Dec. 13, 2011**

(54) **DUAL ARM ARTICULATING MOUNT
PORTION FOR USE WITH AUDIO/VISUAL
DEVICES OR THE LIKE**

(75) Inventor: **James M. Stemple**, Marengo, IL (US)

(73) Assignee: **Peerless Industries, Inc.**, Aurora, IL
(US)

(**) Term: **14 Years**

(21) Appl. No.: **29/393,959**

(22) Filed: **Jun. 10, 2011**

(51) **LOC (9) Cl.** **14-03**

(52) **U.S. Cl.** **D14/239**

(58) **Field of Classification Search** D14/125-134,
D14/239, 371, 136, 374-377; D8/363, 373,
D8/349, 394; 248/465, 917-924, 123.11;
348/825, 827, 836, 837, 838, 180, 184, 325,
348/739; 600/443; D6/477-479, 407, 474,
D6/460, 461, 468; 312/7.2; 341/12; 345/87,
345/104, 133, 156, 168, 169, 173; 720/605,
720/669, 600, 655; 369/99, 197; 455/344-347;
349/1, 2, 11, 62; 108/59, 91, 92, 96; 211/40,
211/41.12, 42, 49.1, 50, 85.2, 90.04, 187,
211/190, 119.003, 134.153, 87.01, 71.01

See application file for complete search history.

(56) **References Cited**

U.S. PATENT DOCUMENTS

D489,599 S	5/2004	Lam	
D505,858 S	6/2005	O'Keene	
6,905,101 B1	6/2005	Dittmer	
D517,085 S *	3/2006	Deuschle	D14/451
D528,901 S *	9/2006	David	D8/373
D533,483 S *	12/2006	Simmons et al.	D12/163
7,152,836 B2	12/2006	Pfister et al.	
D549,558 S	8/2007	Dittmer et al.	
D558,560 S	1/2008	Ciungan	
D558,561 S	1/2008	Ciungan	
D558,562 S	1/2008	Ciungan	

D558,563 S	1/2008	Ciungan	
D558,564 S	1/2008	Ciungan	
D559,087 S	1/2008	Ciungan	
D559,088 S	1/2008	Ciungan	
D562,113 S	2/2008	Ciungan et al.	
D566,444 S *	4/2008	Grey	D6/553
7,487,943 B1	2/2009	Gillespie	
D587,694 S *	3/2009	Sculler et al.	D14/239
7,513,469 B1	4/2009	Ciungan	
D593,081 S *	5/2009	Grolle et al.	D14/239
D623,177 S	9/2010	Molter et al.	
D623,635 S	9/2010	Molter et al.	
D627,767 S	11/2010	Molter et al.	

(Continued)

Primary Examiner — Raphael Barkai

Assistant Examiner — Randall Gholson

(74) *Attorney, Agent, or Firm* — Foley & Lardner LLP

(57) **CLAIM**

I claim the ornamental design for a dual arm articulating mount portion for use with audio/visual devices or the like, as shown and described.

DESCRIPTION

FIG. 1 is a top perspective view of a dual arm articulating mount portion for use with audio/visual devices or the like showing my new design;

FIG. 2 is a front elevational view thereof;

FIG. 3 is a rear elevational view thereof;

FIG. 4 is a top plan view thereof;

FIG. 5 is a bottom plan view thereof;

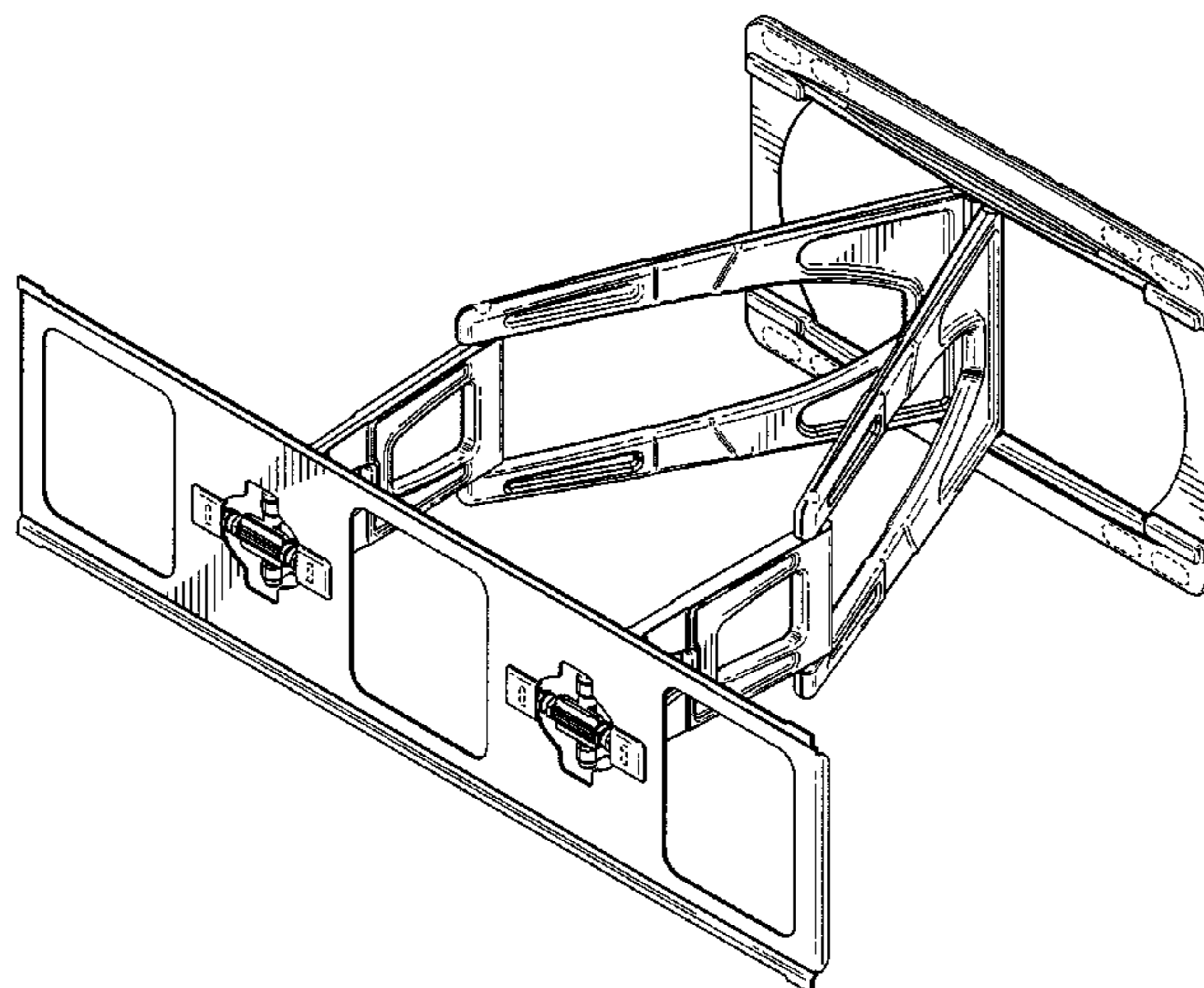
FIG. 6 is a left elevational view thereof;

FIG. 7 is a right elevational view thereof; and,

FIG. 8 is a sectional view of FIG. 4 taken along line 8-8 and looking to the left, wherein the view looking to the right from line 8-8 is substantially identical thereto.

The ornamental design which is claimed is shown in solid lines in the drawings. The broken lines in the drawings are for illustrative purposes only and form no part of the claimed design.

1 Claim, 7 Drawing Sheets



US D650,373 S

Page 2

U.S. PATENT DOCUMENTS							
7,823,849	B2	11/2010	Dittmer et al.	D634,607	S	3/2011	Molter et al.
7,832,700	B2 *	11/2010	Ciungan 248/324	D634,739	S	3/2011	Molter et al.
D630,197	S	1/2011	Molter et al.	D641,369	S *	7/2011	Skull et al. D14/452
D631,038	S	1/2011	Molter et al.	D642,583	S *	8/2011	Dittmer et al. D14/452
7,871,048	B2 *	1/2011	Sculler et al. 248/220.21	2007/0181762	A1 *	8/2007	Dittmer 248/274.1
D631,874	S	2/2011	Molter et al.	2008/0258029	A1 *	10/2008	Zhang 248/284.1
D631,876	S	2/2011	Molter et al.	2010/0171014	A1	7/2010	Stemple
D632,287	S	2/2011	Molter et al.	2010/0172072	A1	7/2010	Monaco
D634,309	S *	3/2011	Bendien et al. D14/239				

* cited by examiner

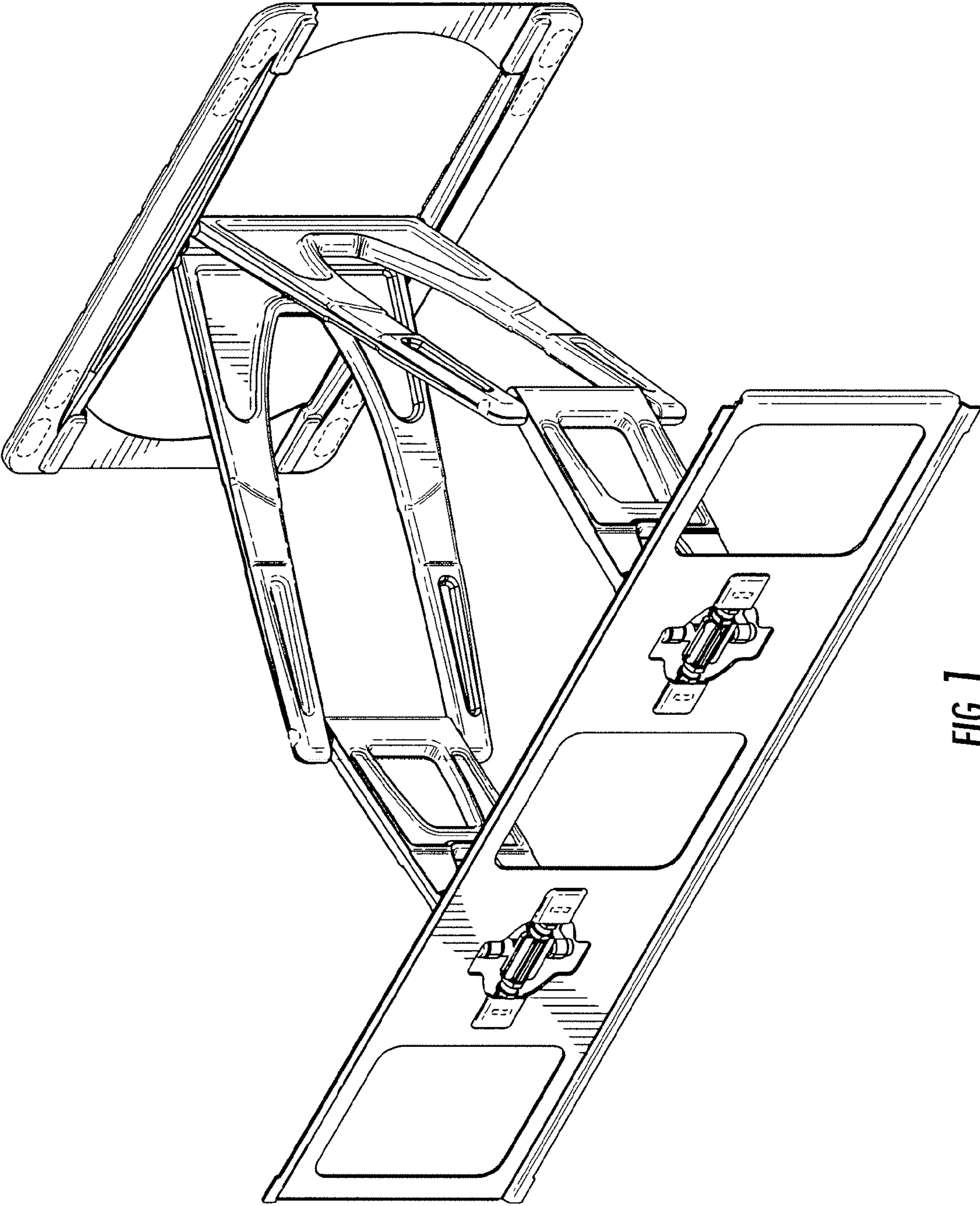


FIG. 1

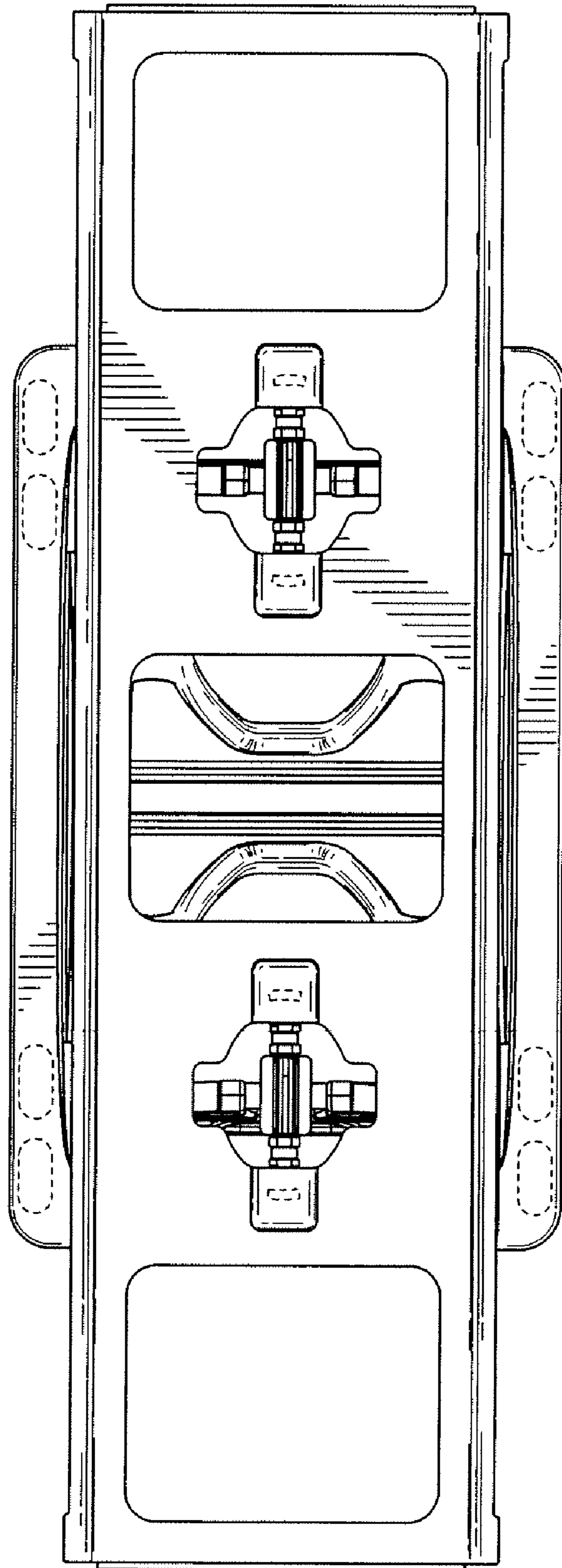


FIG. 2

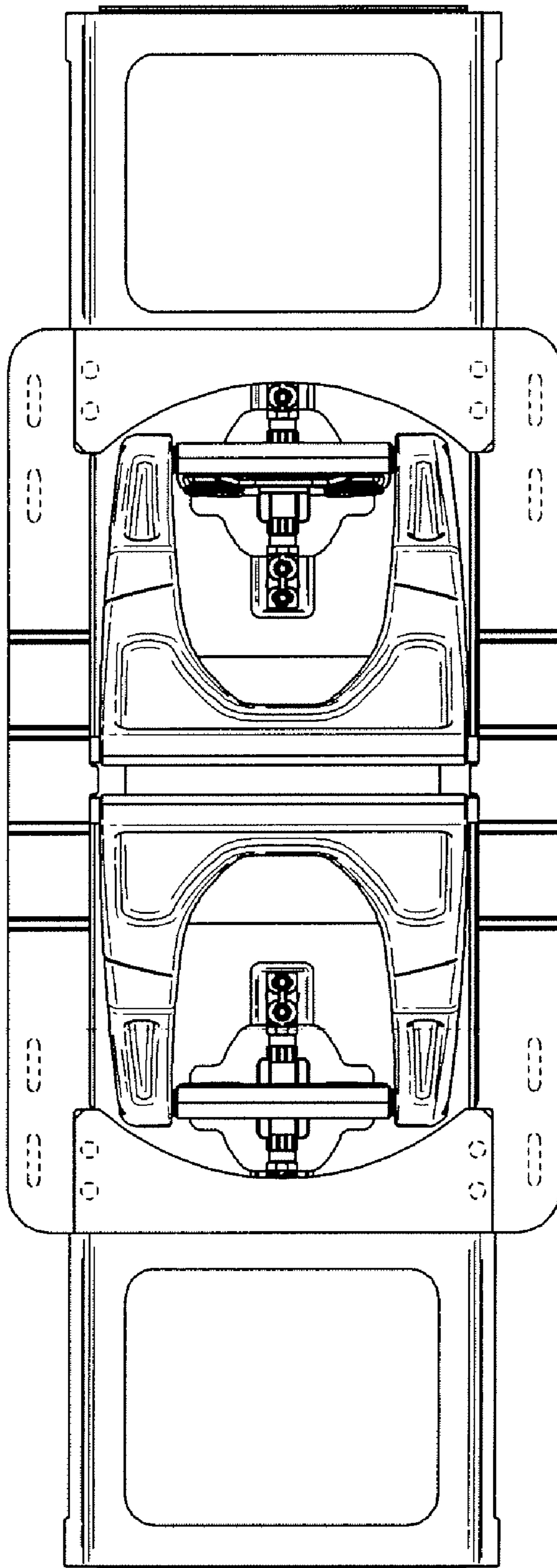


FIG. 3

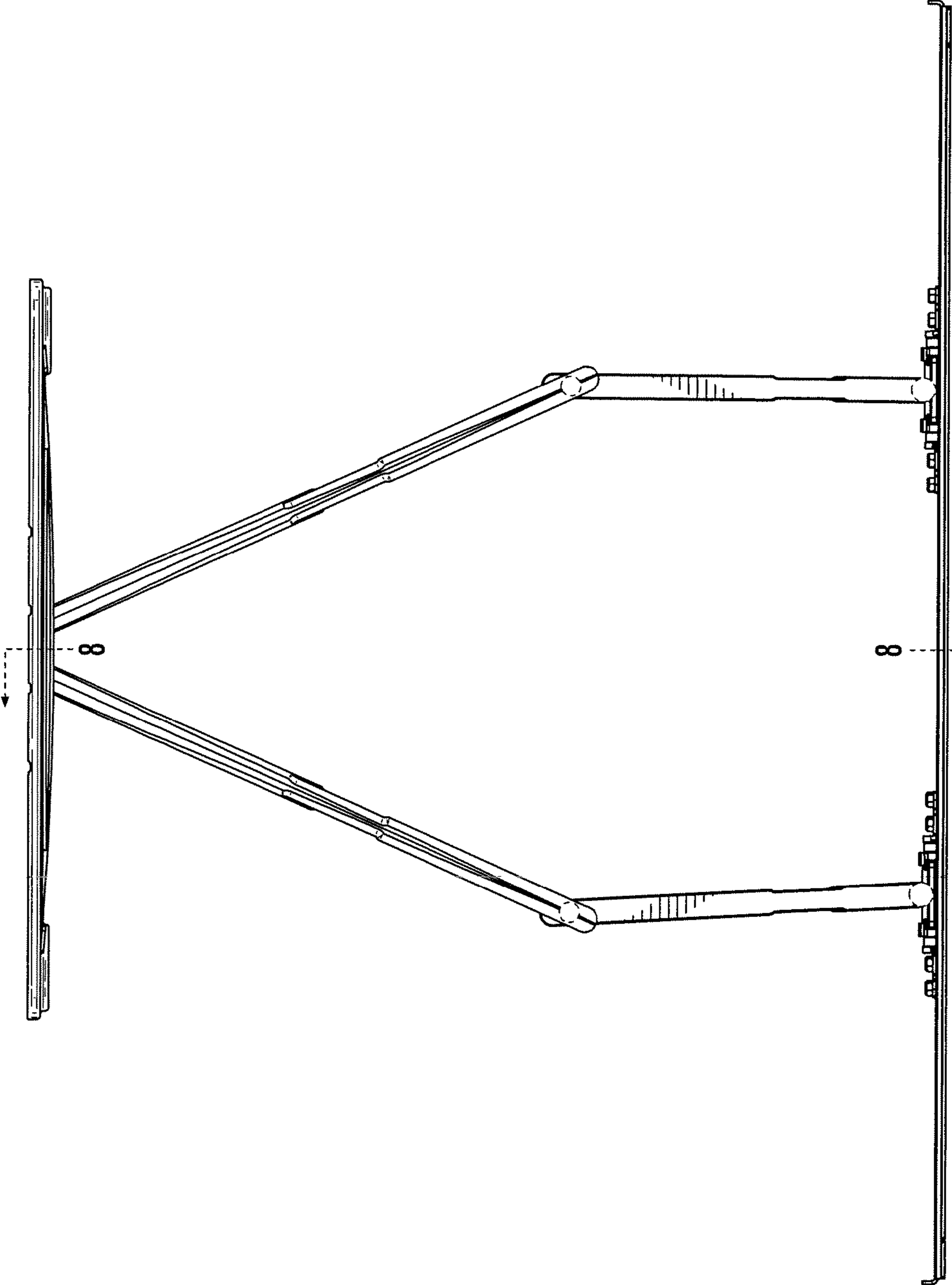


FIG. 4

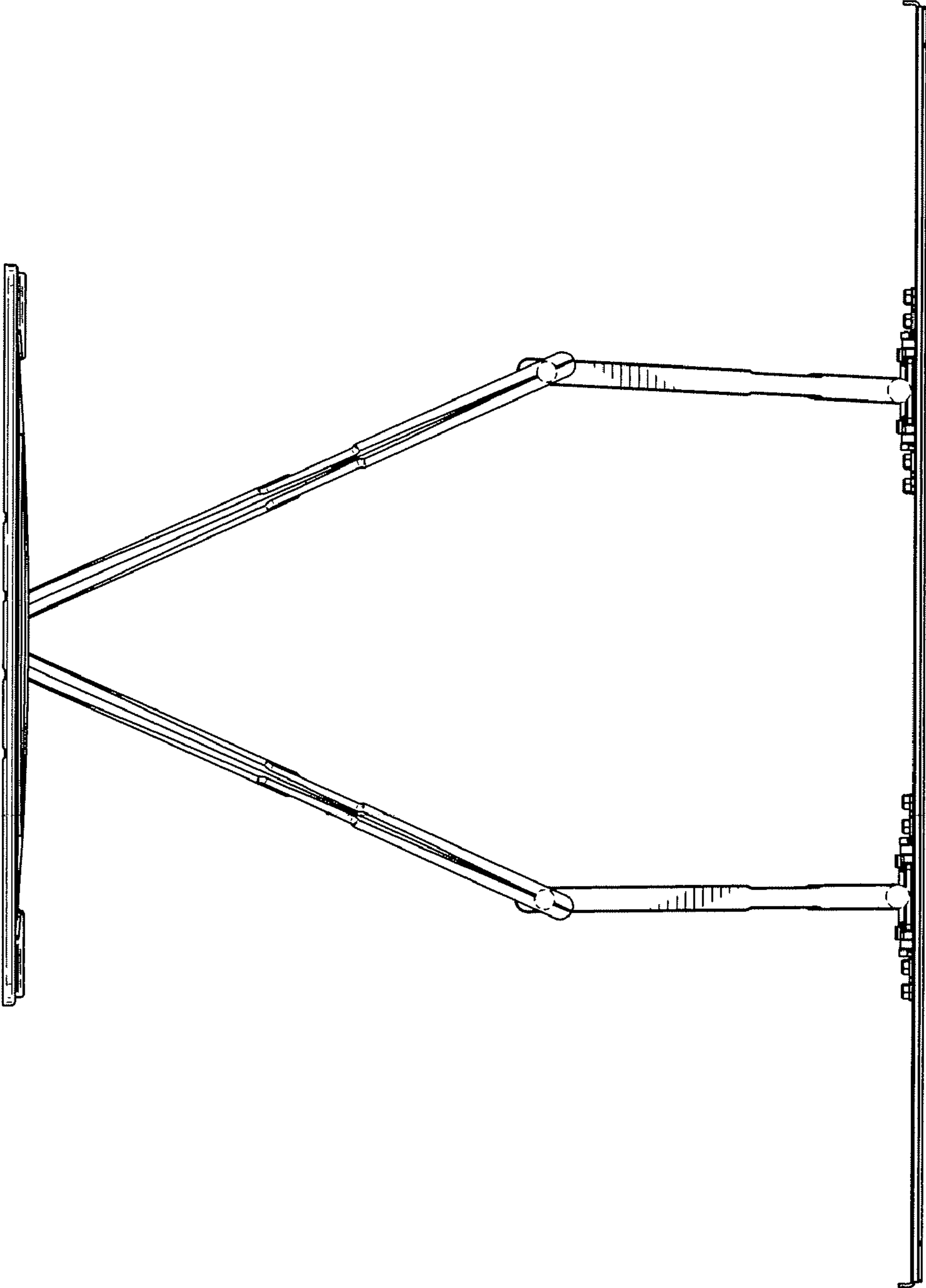


FIG. 5

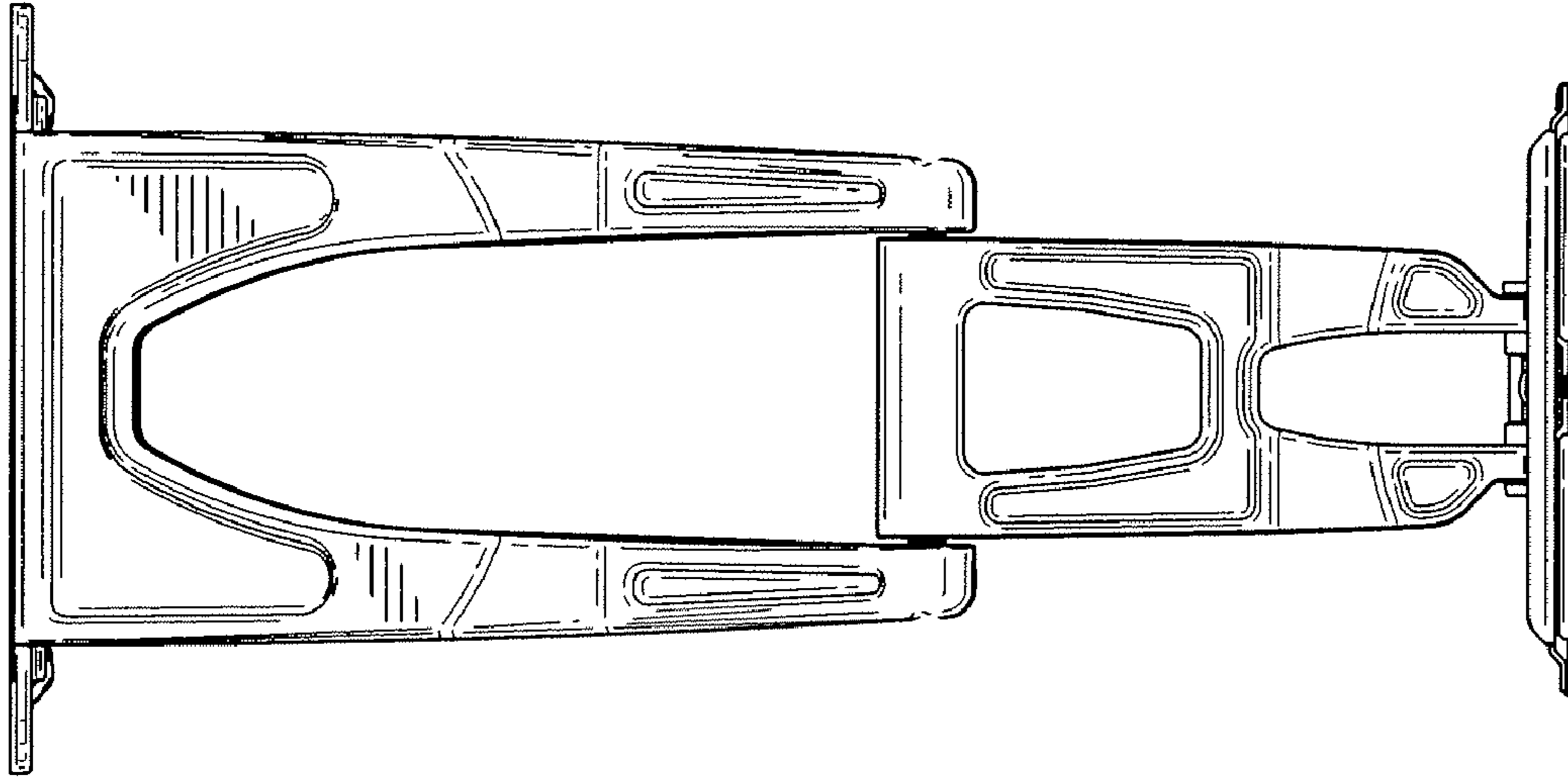


FIG. 6

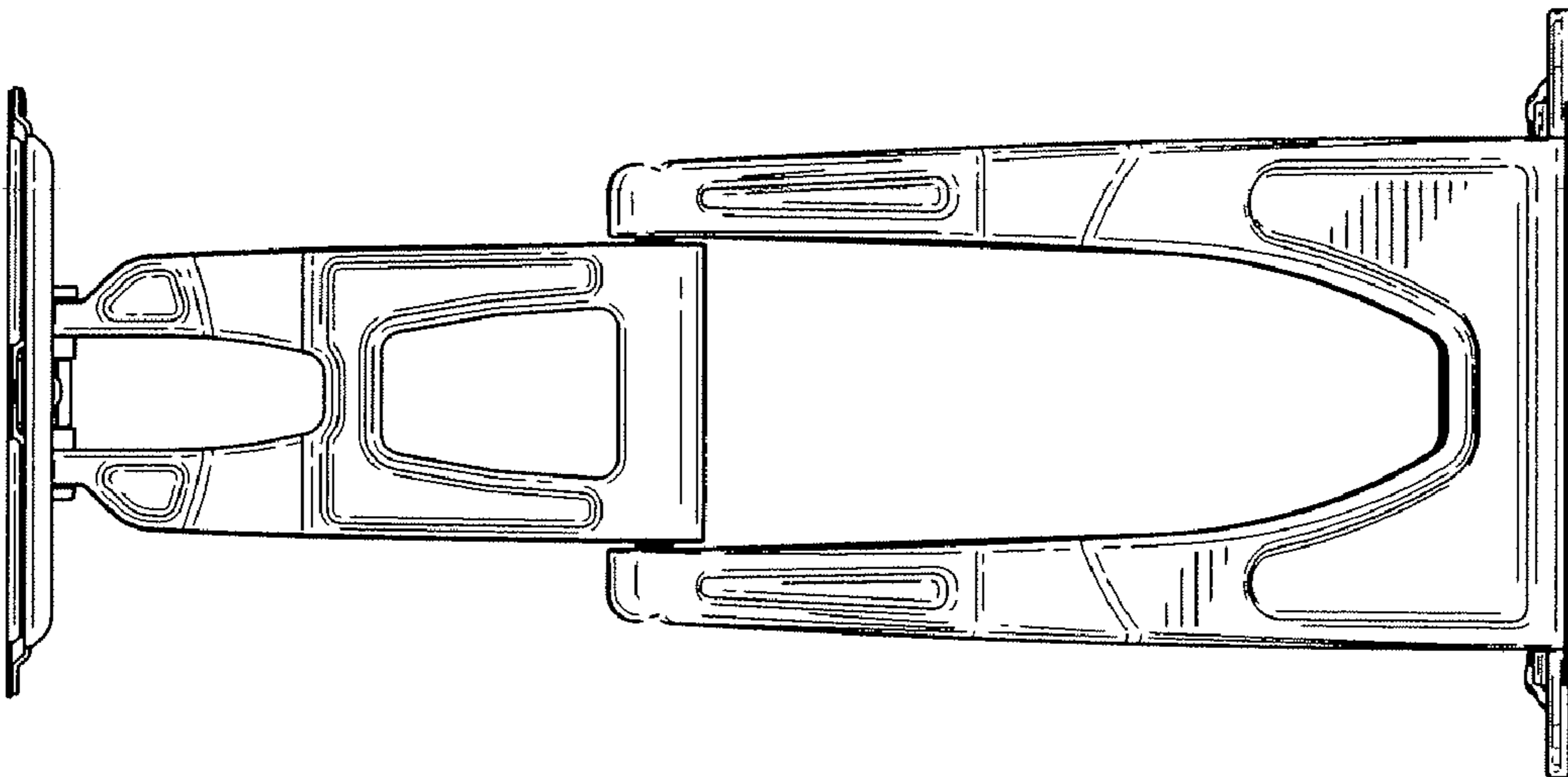


FIG. 7

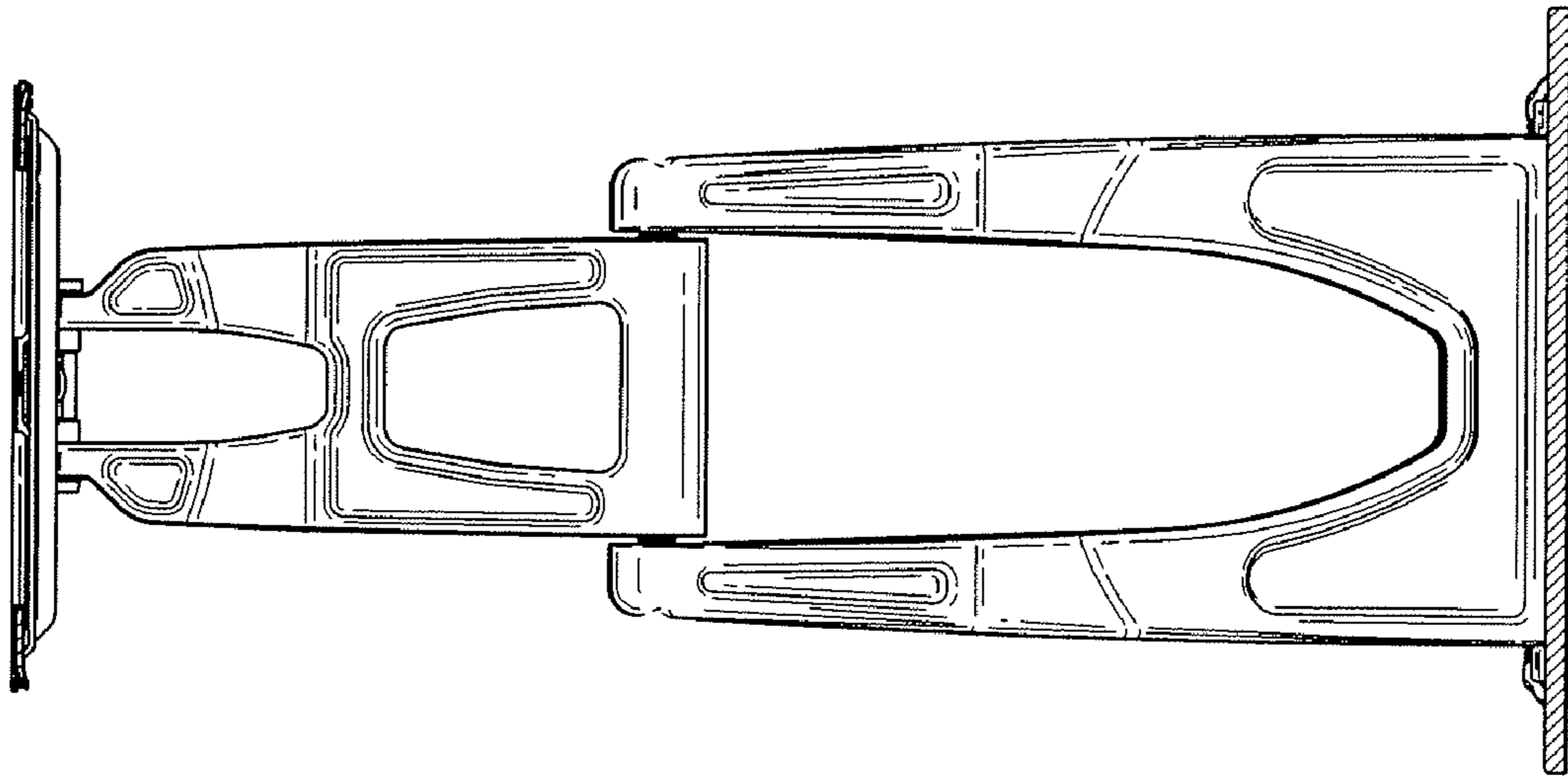


FIG. 8