



US00D650372S

(12) **United States Design Patent**
Molter

(10) **Patent No.:** **US D650,372 S**

(45) **Date of Patent:** **** Dec. 13, 2011**

(54) **SURFACE TOP MOUNTING SYSTEM FOR USE WITH AUDIO/VISUAL DEVICES OR THE LIKE**

(75) Inventor: **Daniel E. Molter**, Elmhurst, IL (US)

(73) Assignee: **Peerless Industries, Inc.**, Aurora, IL (US)

(**) Term: **14 Years**

(21) Appl. No.: **29/393,275**

(22) Filed: **Jun. 1, 2011**

(51) **LOC (9) Cl.** **14-03**

(52) **U.S. Cl.** **D14/239**

(58) **Field of Classification Search** D14/125-134, D14/239, 371, 136, 374-377; D8/363, 373, D8/349, 394; 248/465, 917-924, 123.11; 348/825, 827, 836, 837, 838, 180, 184, 325, 348/739; 600/443; D6/477-479, 407, 474, D6/460, 461, 468; 312/7.2; 341/12; 345/87, 345/104, 133, 156, 168, 169, 173; 720/605, 720/669, 600, 655; 369/99, 197; 455/344-347; 349/1, 2, 11, 62; 108/59, 91, 92, 96; 211/40, 211/41.12, 42, 49.1, 50, 85.2, 90.04, 187, 211/190, 119.003, 134.153, 87.01, 71.01

See application file for complete search history.

(56) **References Cited**

U.S. PATENT DOCUMENTS

| | | | | |
|-----------|------|---------|-----------------|------------|
| D478,088 | S | 8/2003 | Hamouz | |
| 7,261,265 | B2 * | 8/2007 | Burns | 248/276.1 |
| D560,470 | S | 1/2008 | Short et al. | |
| D565,938 | S | 4/2008 | Massoumi et al. | |
| D579,319 | S * | 10/2008 | Short | D8/354 |
| D587,273 | S | 2/2009 | Sculler et al. | |
| D592,206 | S * | 5/2009 | O'Brien | D14/253 |
| 7,564,679 | B2 * | 7/2009 | Chen et al. | 361/679.21 |
| D598,459 | S | 8/2009 | Gillespie | |
| D602,923 | S | 10/2009 | Skull | |
| D611,802 | S | 3/2010 | Li | |
| D614,613 | S * | 4/2010 | Kim et al. | D14/253 |

| | | | | |
|--------------|------|---------|----------------|-----------|
| 7,690,620 | B2 * | 4/2010 | Lee | 248/676 |
| D621,390 | S | 8/2010 | Skull et al. | |
| D624,062 | S * | 9/2010 | Kasuga et al. | D14/239 |
| D627,359 | S | 11/2010 | Gillespie | |
| D637,593 | S | 5/2011 | Zanetti | |
| D638,022 | S * | 5/2011 | Kasuga et al. | D14/451 |
| D640,247 | S | 6/2011 | Baumann et al. | |
| D641,610 | S * | 7/2011 | Sedalo | D8/354 |
| 2004/0011932 | A1 * | 1/2004 | Duff | 248/157 |
| 2005/0127261 | A1 | 6/2005 | Lin | |
| 2007/0195495 | A1 * | 8/2007 | Kim et al. | 361/681 |
| 2008/0048085 | A1 * | 2/2008 | Cox et al. | 248/415 |
| 2010/0320341 | A1 * | 12/2010 | Baumann et al. | 248/206.2 |

OTHER PUBLICATIONS

U.S. Appl. No. 29/393,509, filed Jun. 6, 2011, Molter.

* cited by examiner

Primary Examiner — Raphael Barkai

Assistant Examiner — Randall H Gholson

(74) *Attorney, Agent, or Firm* — Foley & Lardner LLP

(57) **CLAIM**

I claim the ornamental design for a surface top mounting system for use with audio/visual devices or the like, as shown and described.

DESCRIPTION

FIG. 1 is a perspective view of a surface top mounting system for use with audiovisual devices or the like showing my new design;

FIG. 2 is a front elevational view thereof;

FIG. 3 is a rear elevational view thereof;

FIG. 4 is a left side elevational view thereof;

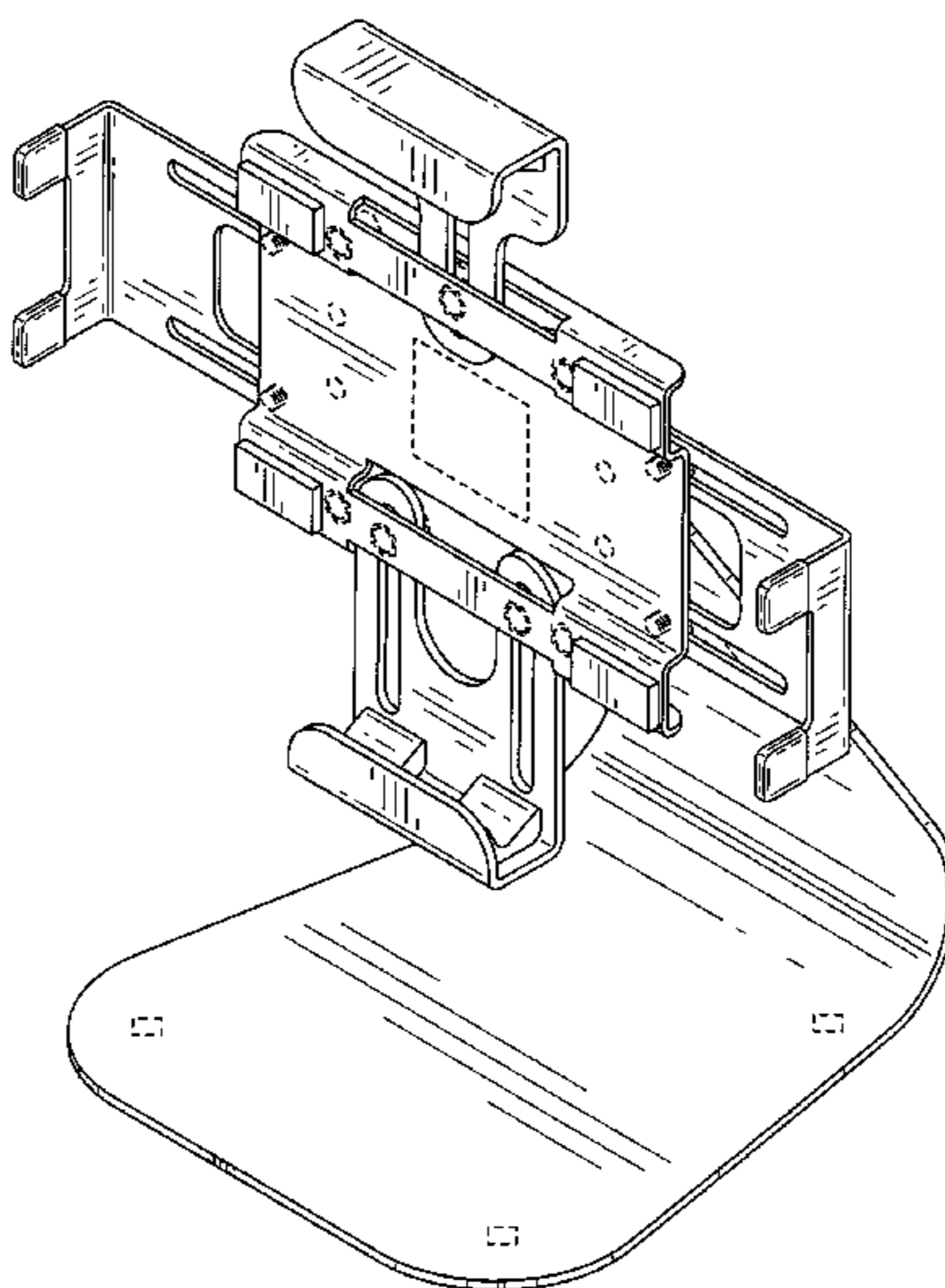
FIG. 5 is a right side elevational view thereof;

FIG. 6 is a top plan view thereof; and,

FIG. 7 is a bottom plan view thereof.

The ornamental design which is claimed is shown in solid lines in the drawings. The broken lines in the drawings are for illustrative purposes only and form no part of the claimed design.

1 Claim, 7 Drawing Sheets



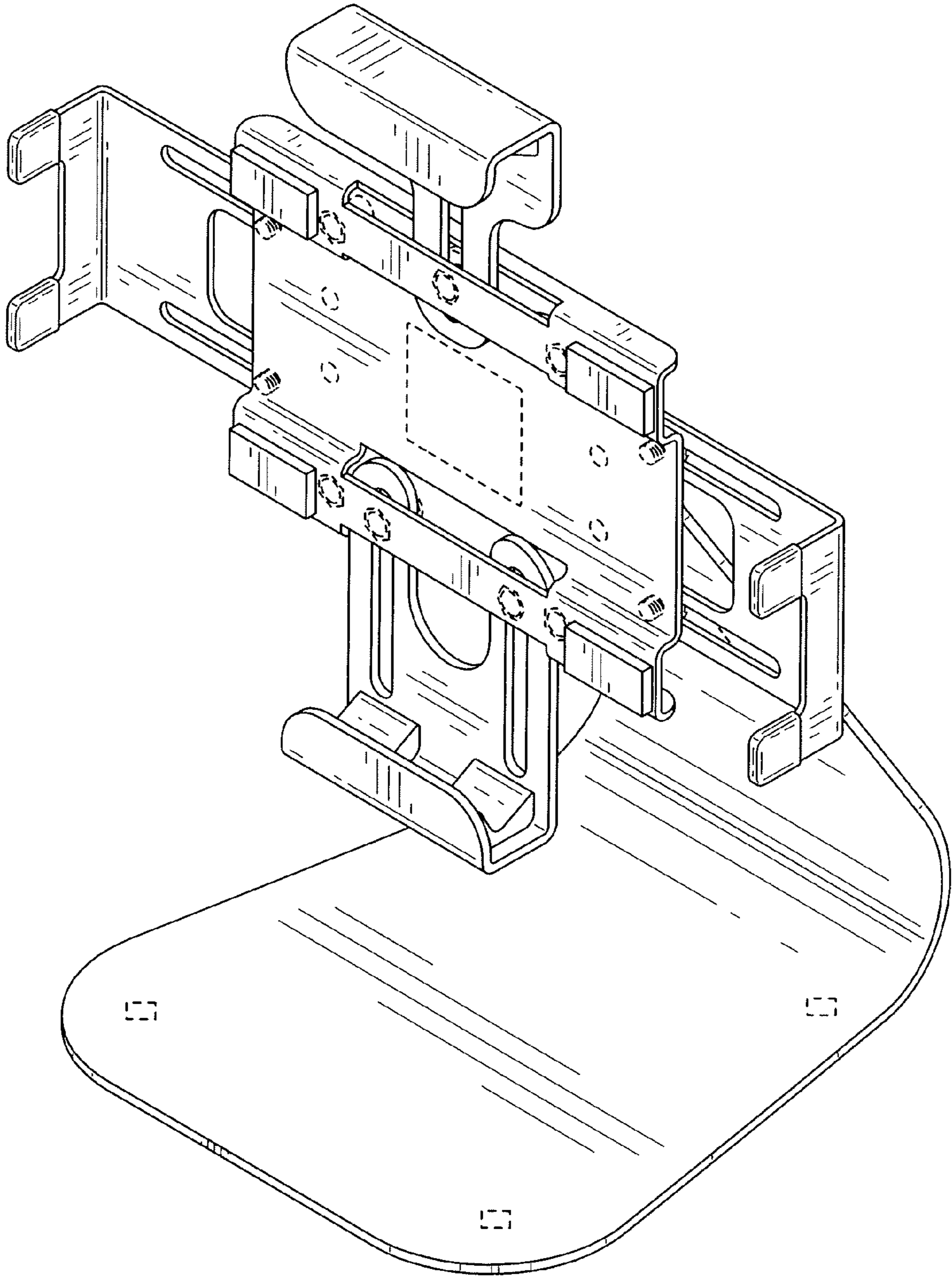


FIG. 1

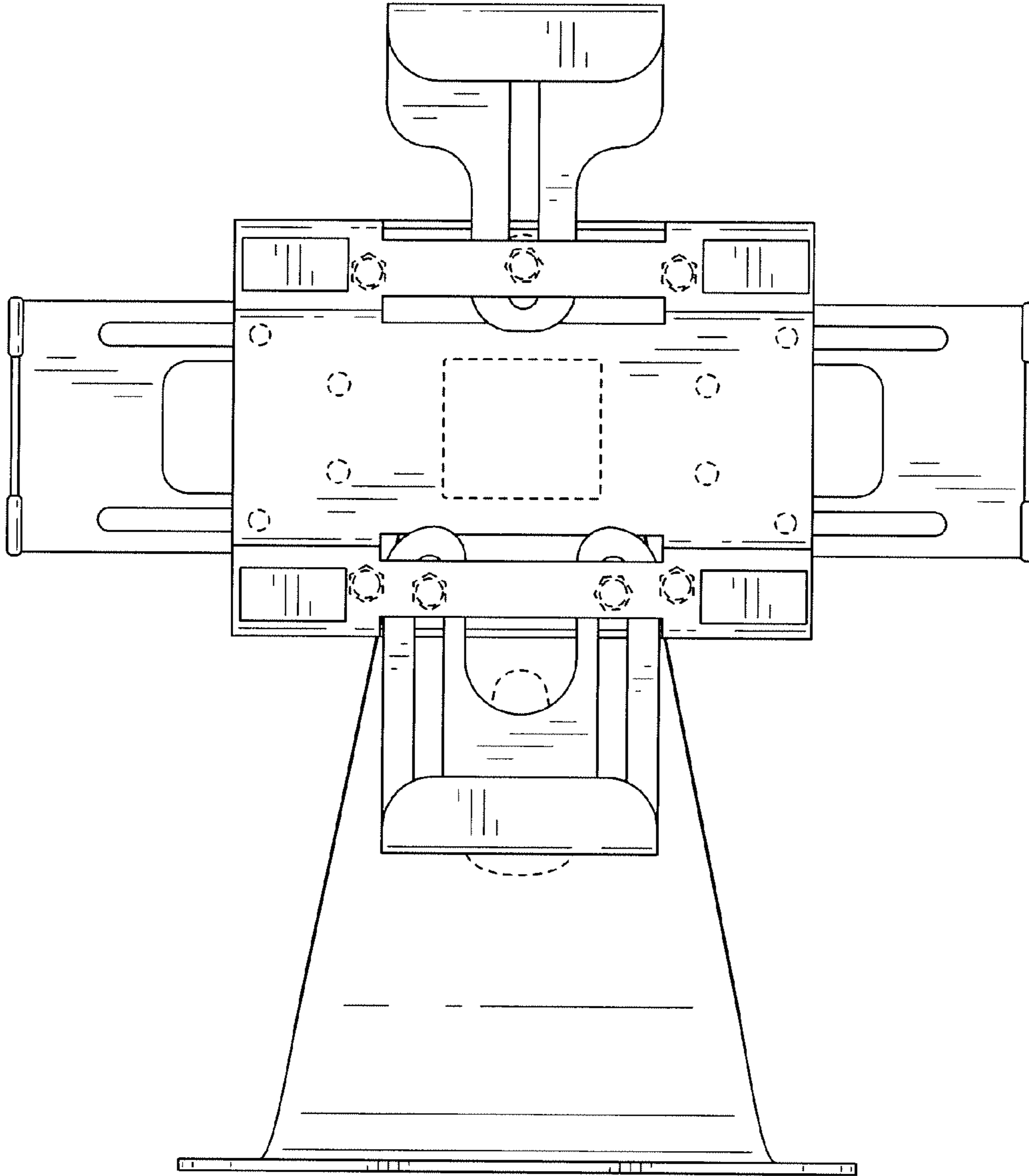


FIG. 2

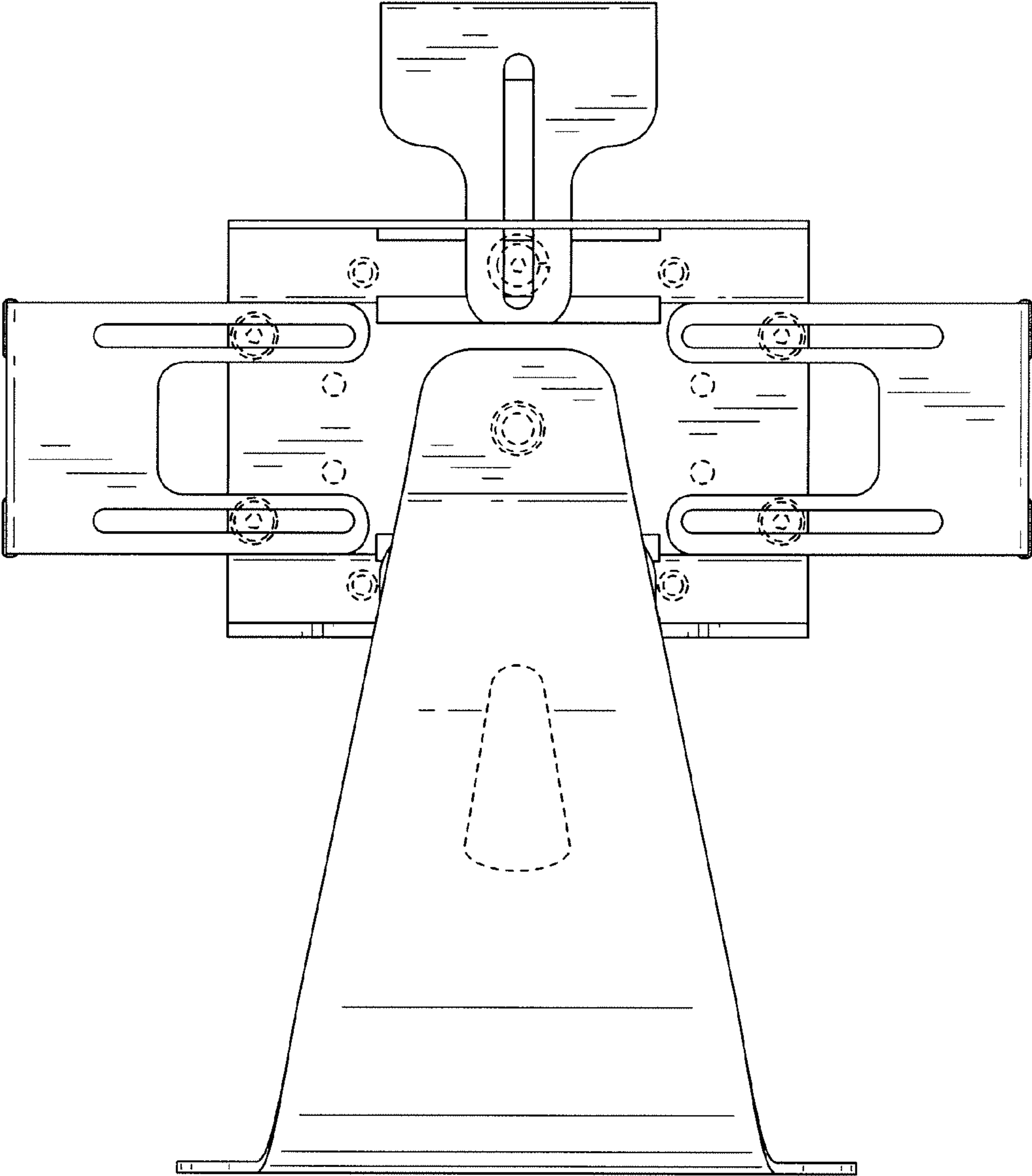


FIG. 3

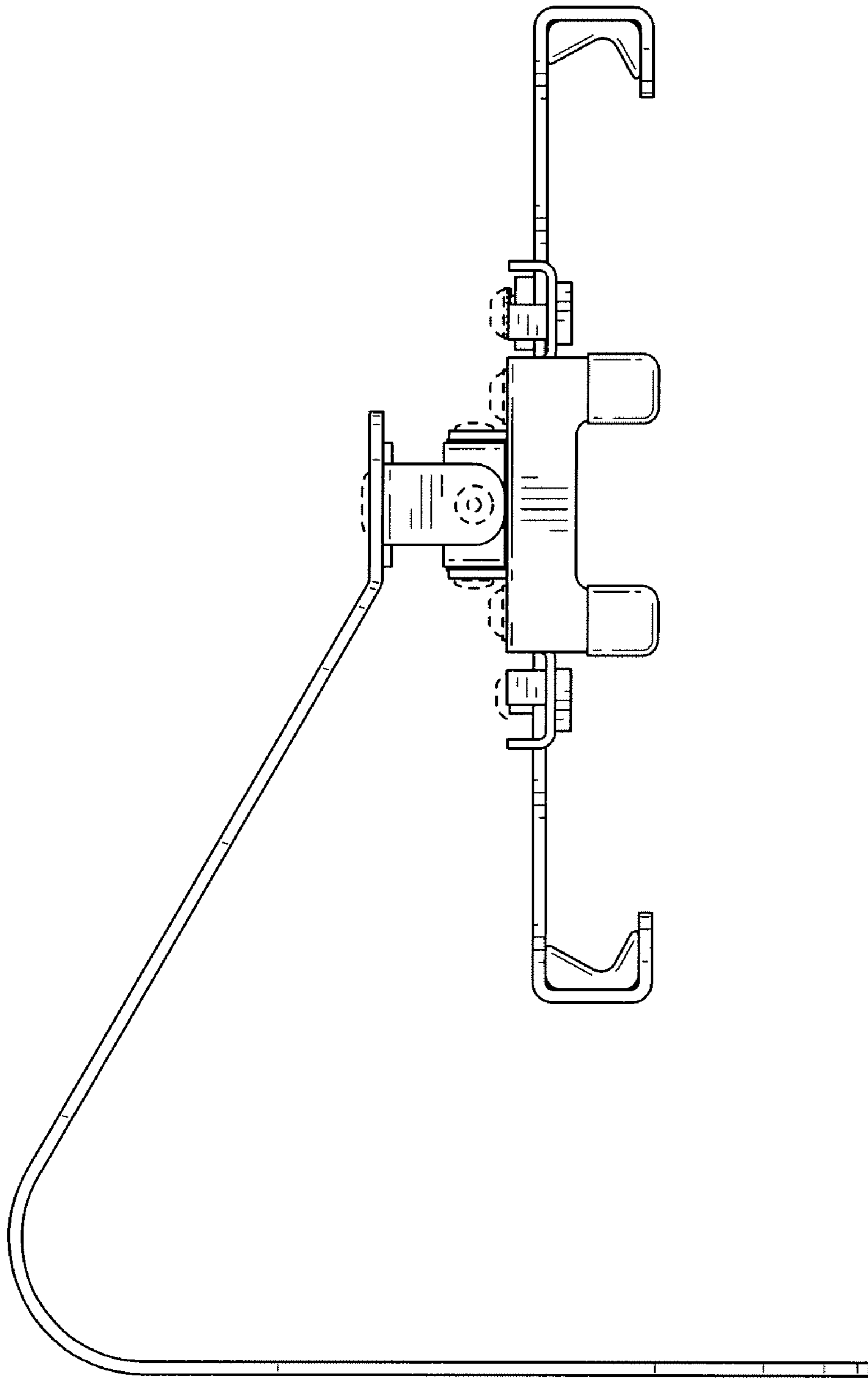


FIG. 4

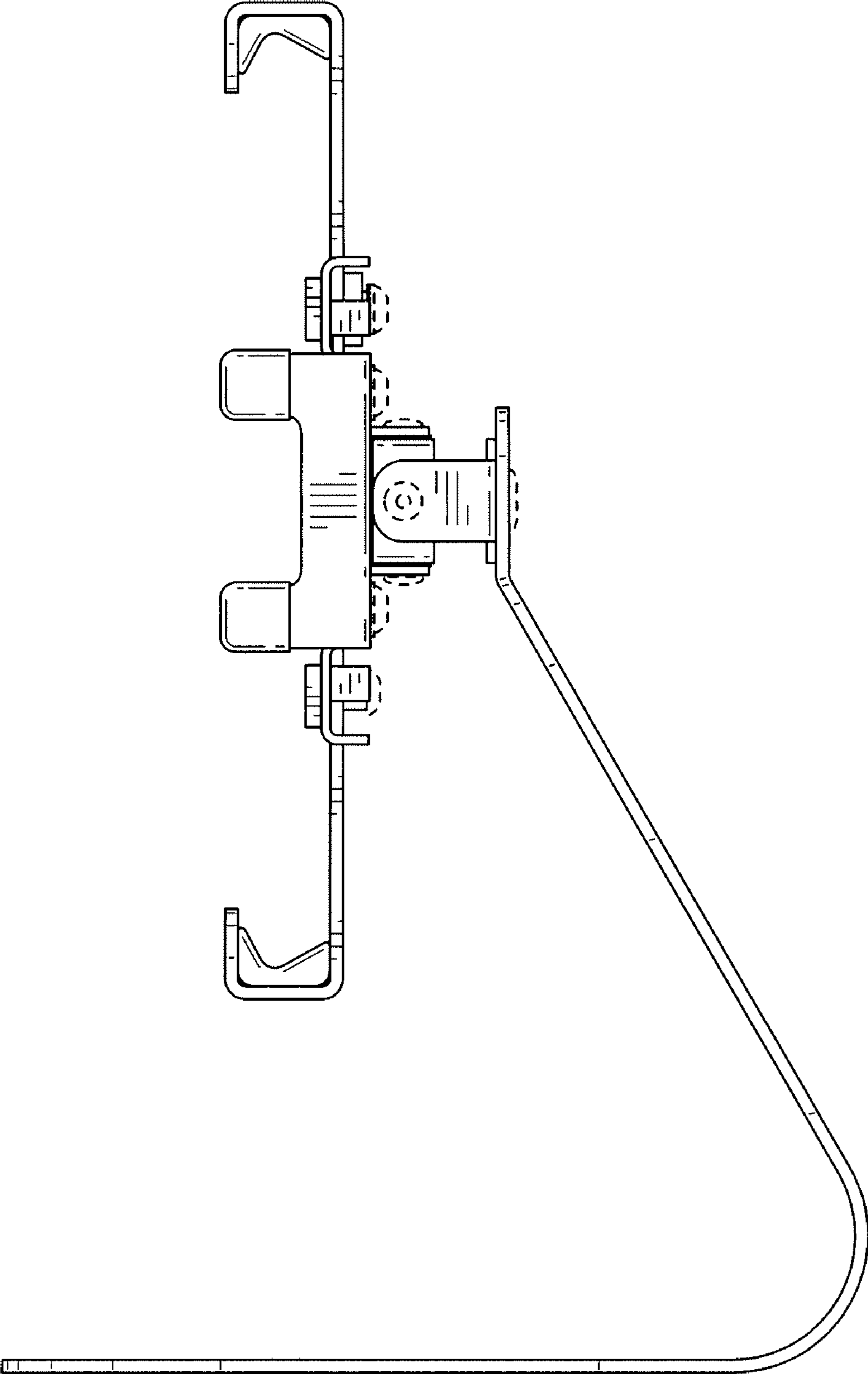


FIG. 5

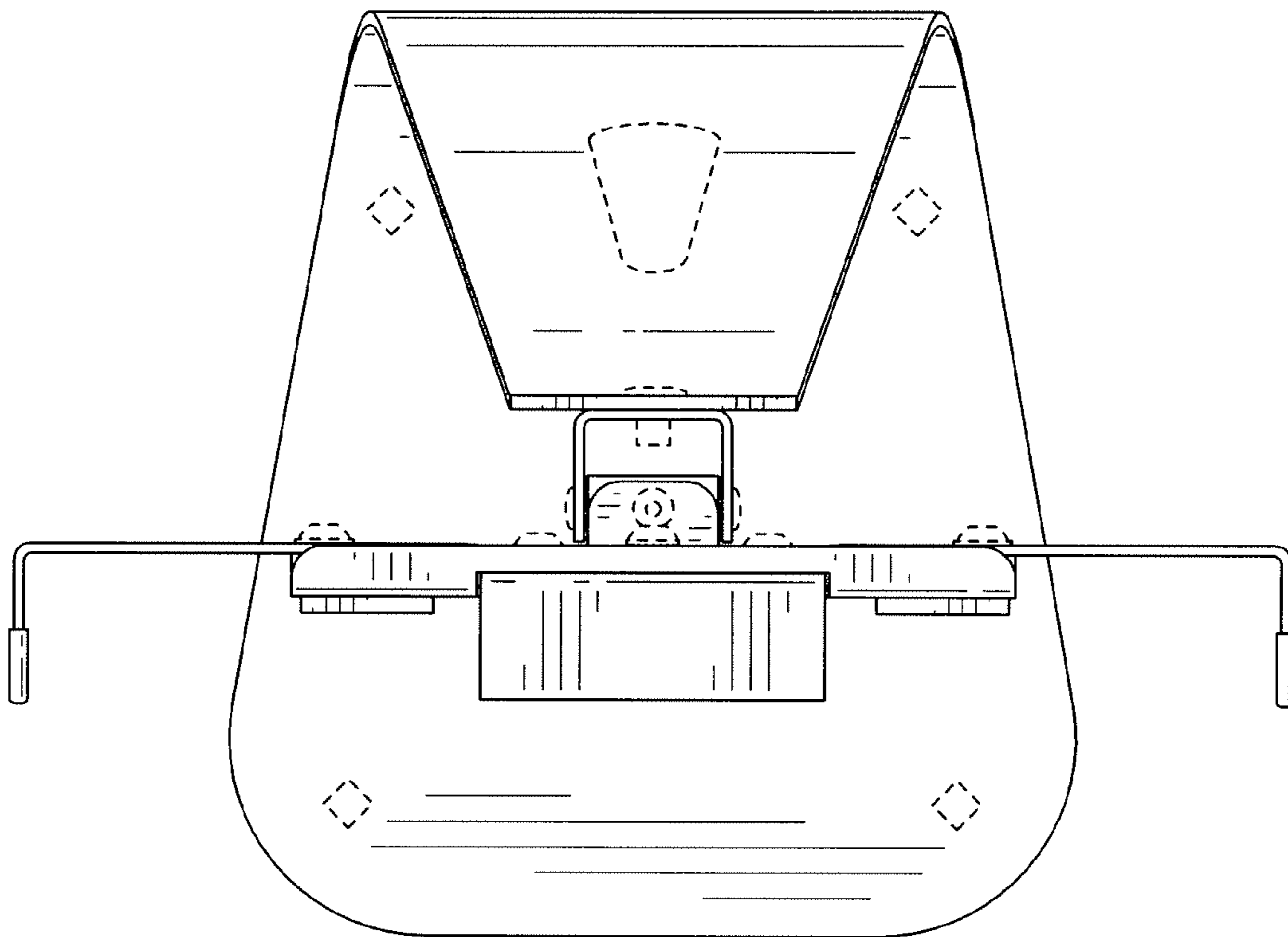


FIG. 6

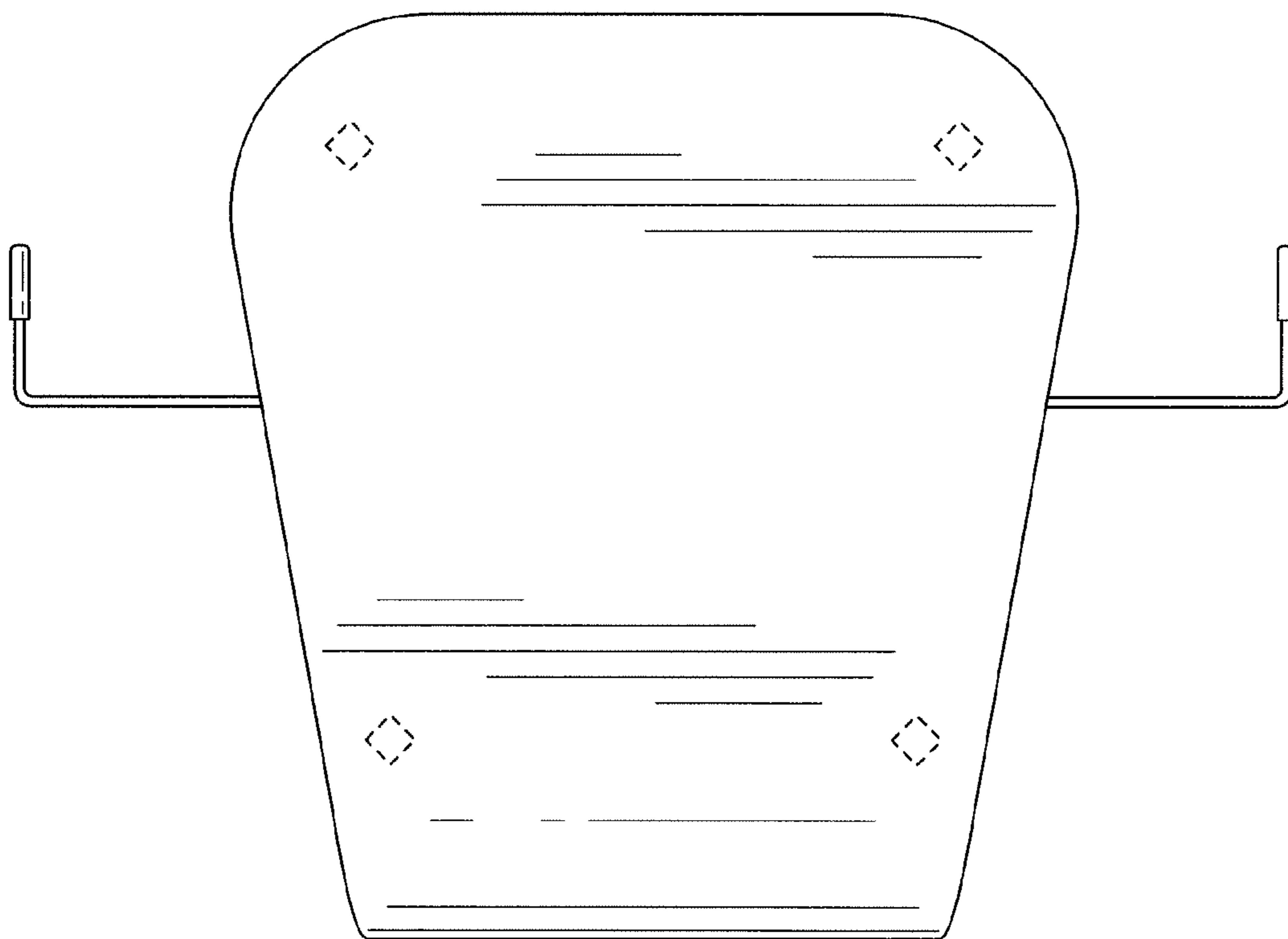


FIG. 7