



US00D650369S

(12) **United States Design Patent**
Park

(10) **Patent No.:** **US D650,369 S**

(45) **Date of Patent:** **** Dec. 13, 2011**

(54) **BLUETOOTH HEADSET**

(75) Inventor: **Min-Young Park**, Kyunggi-do (KR)

(73) Assignee: **Samsung Electronics Co., Ltd.**, Suwon, Kyunggi-Do (KR)

(**) Term: **14 Years**

(21) Appl. No.: **29/372,552**

(22) Filed: **Dec. 7, 2010**

(51) **LOC (9) Cl.** **14-01**

(52) **U.S. Cl.** **D14/223**

(58) **Field of Classification Search** D14/205,
D14/206, 223; 181/129, 130, 135; 379/430,
379/431; 381/380, 381; 455/90.3, 575.2
See application file for complete search history.

(56) **References Cited**

U.S. PATENT DOCUMENTS

D550,215 S	*	9/2007	Udagawa et al.	D14/223
D552,596 S	*	10/2007	Christopher	D14/205
D553,613 S	*	10/2007	Sade et al.	D14/223
D562,310 S		2/2008	Moon et al.		
D566,108 S	*	4/2008	Kan	D14/223
D568,301 S	*	5/2008	Kim et al.	D14/223
D568,876 S	*	5/2008	Tsai et al.	D14/223
D573,140 S	*	7/2008	Tsai et al.	D14/223
D577,356 S		9/2008	Moon et al.		
D579,442 S		10/2008	Kim et al.		
D579,924 S	*	11/2008	Sade et al.	D14/223
D582,662 S		12/2008	Tkachuk		
D582,897 S	*	12/2008	Christopher et al.	D14/223
D586,333 S		2/2009	Tkachuk		
D588,113 S	*	3/2009	Bradford	D14/223
D592,640 S		5/2009	Tkachuk		
D593,547 S		6/2009	Kim et al.		
D595,272 S	*	6/2009	Kim et al.	D14/223
D596,166 S	*	7/2009	Henning	D14/223

D596,625 S		7/2009	Tkachuk		
D597,083 S	*	7/2009	Nousiainen	D14/223
D598,899 S		8/2009	Tkachuk		
D602,006 S	*	10/2009	Kim et al.	D14/223
D602,007 S	*	10/2009	Lee et al.	D14/223
D603,845 S		11/2009	Tkachuk		
D603,846 S		11/2009	Tkachuk		
D604,722 S	*	11/2009	Mistry	D14/223
D604,945 S		12/2009	Tkachuk		
D618,221 S	*	6/2010	Fahrendorff et al.	D14/223
D620,927 S	*	8/2010	Li	D14/223
D622,266 S	*	8/2010	Tzeng et al.	D14/223
D622,706 S	*	8/2010	Tzeng et al.	D14/223
D626,946 S	*	11/2010	Lee et al.	D14/223
D626,947 S	*	11/2010	Lee et al.	D14/223
D628,989 S	*	12/2010	Lee et al.	D14/223
D630,620 S	*	1/2011	Lee et al.	D14/223
D640,242 S	*	6/2011	Fahrendorff et al.	D14/223

* cited by examiner

Primary Examiner — Paula Greene

(74) *Attorney, Agent, or Firm* — Flynn, Thiel, Boutell & Tanis, P.C.

(57) **CLAIM**

The ornamental design for a bluetooth headset, as shown and described.

DESCRIPTION

FIG. 1 is a top front perspective view of a bluetooth headset showing my new design;

FIG. 2 is a front elevational view thereof;

FIG. 3 is a rear elevational view thereof;

FIG. 4 is a left side elevational view thereof;

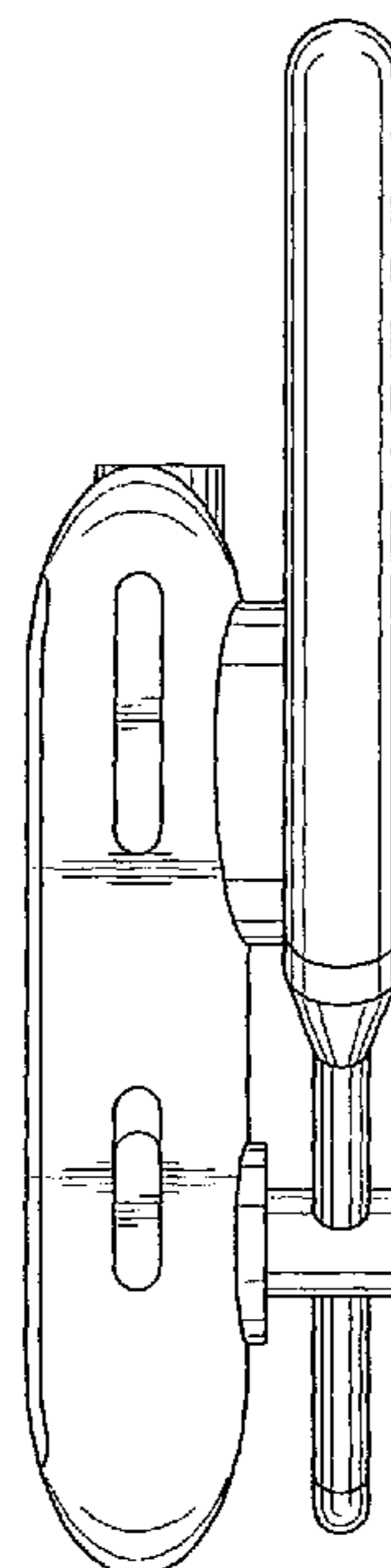
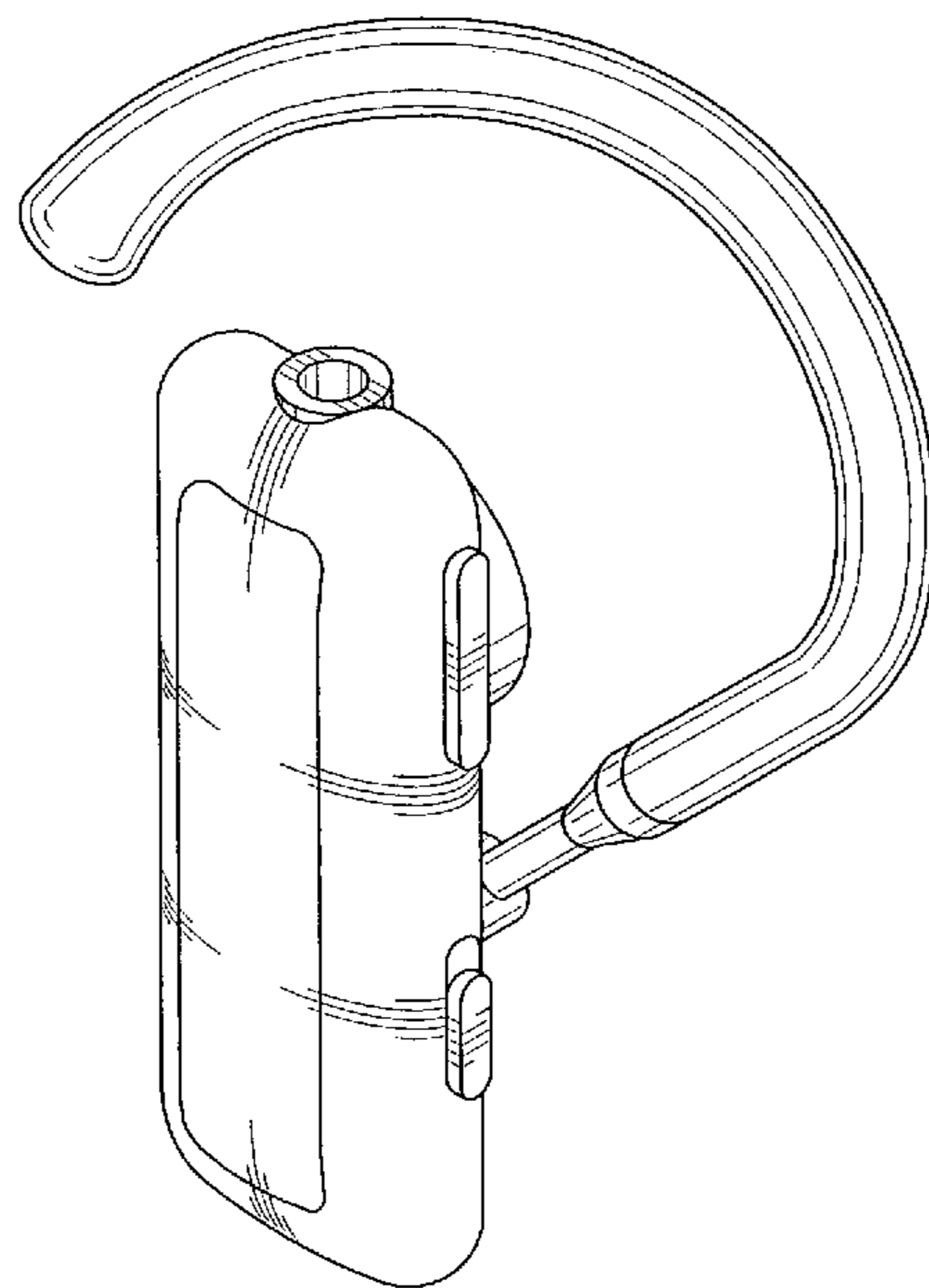
FIG. 5 is a right side elevational view thereof;

FIG. 6 is a top plan view thereof; and,

FIG. 7 is a bottom plan view thereof.

The broken lines form no part of the claimed design.

1 Claim, 4 Drawing Sheets



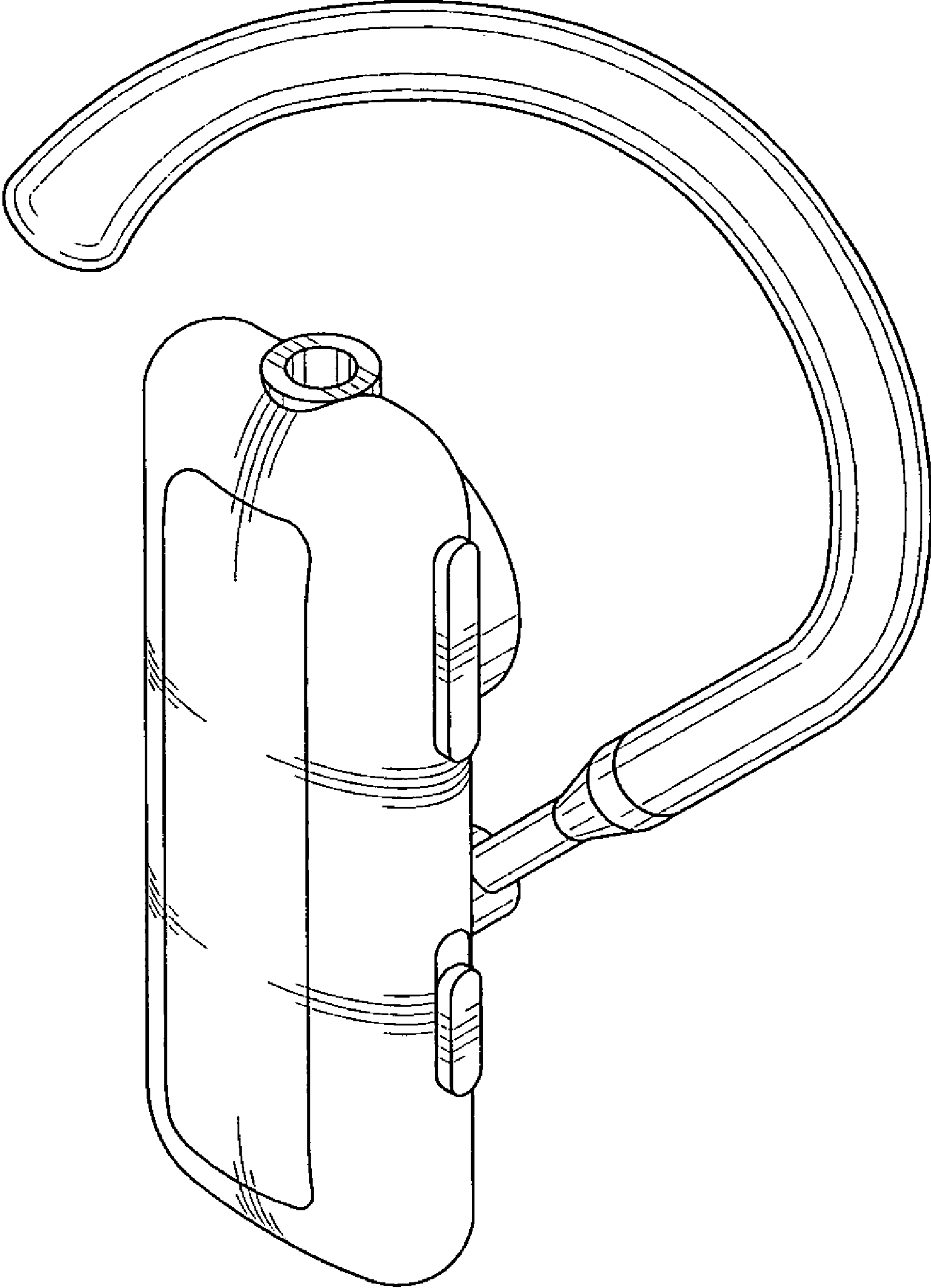


FIG. 1

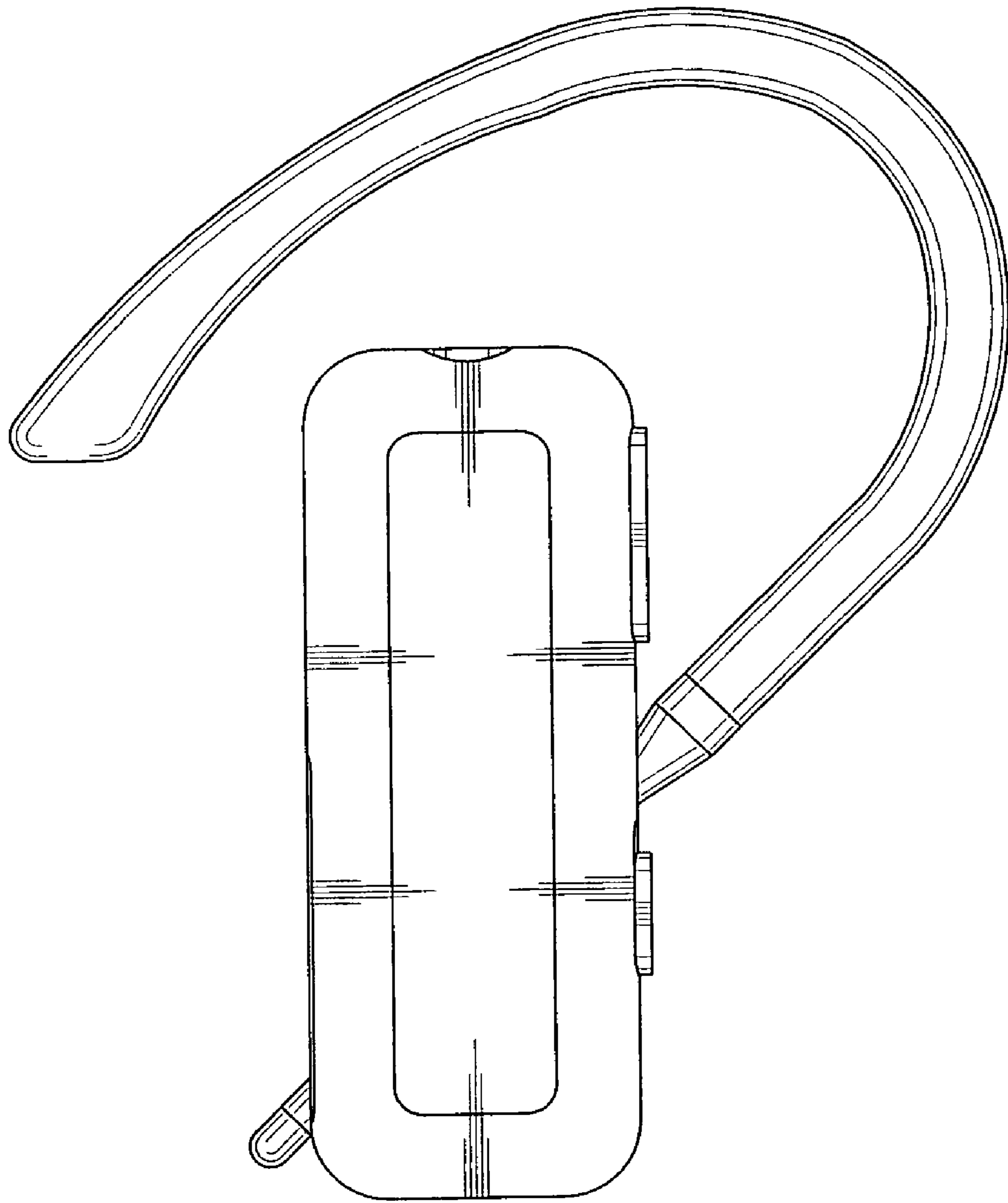


FIG.2

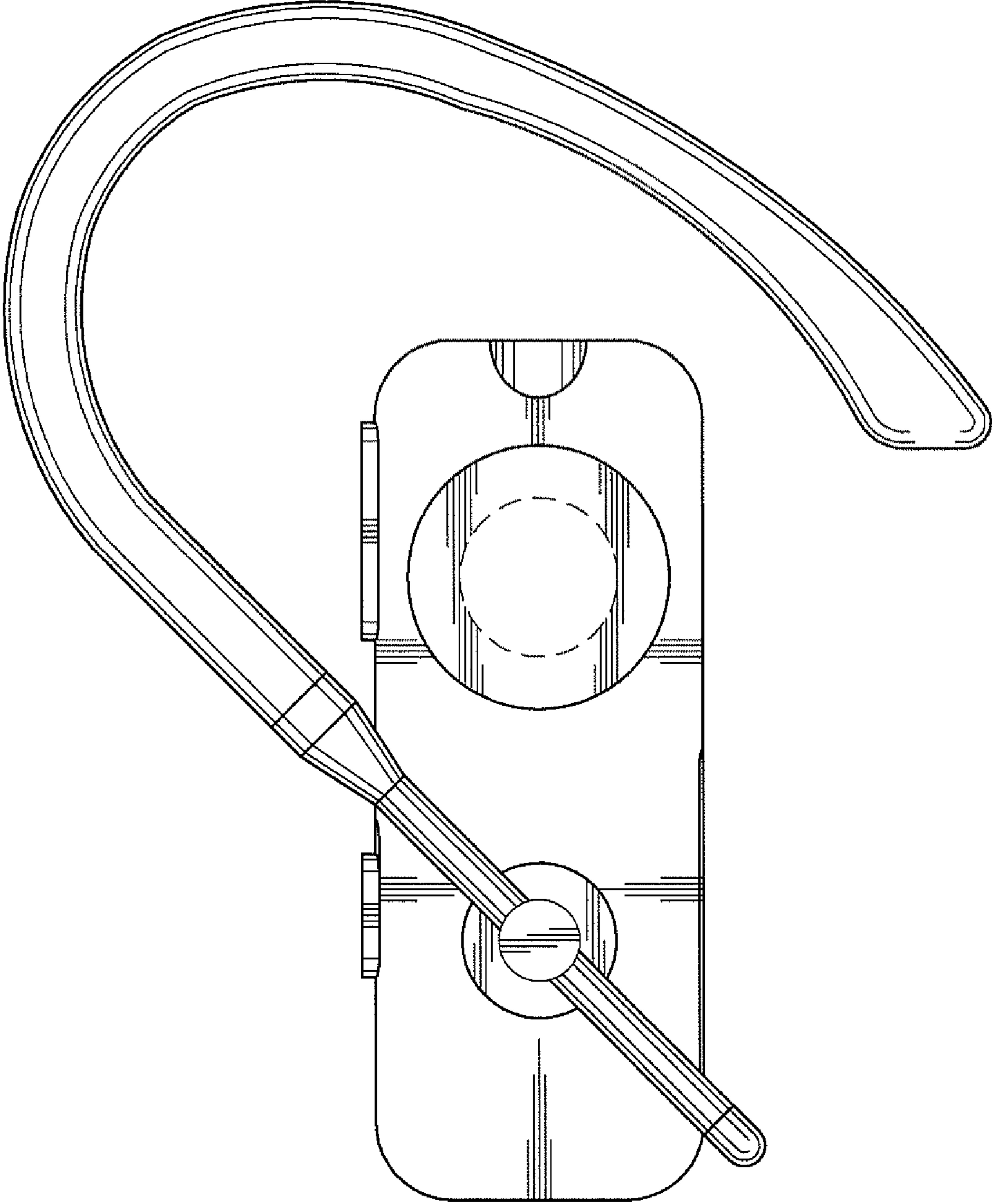


FIG.3

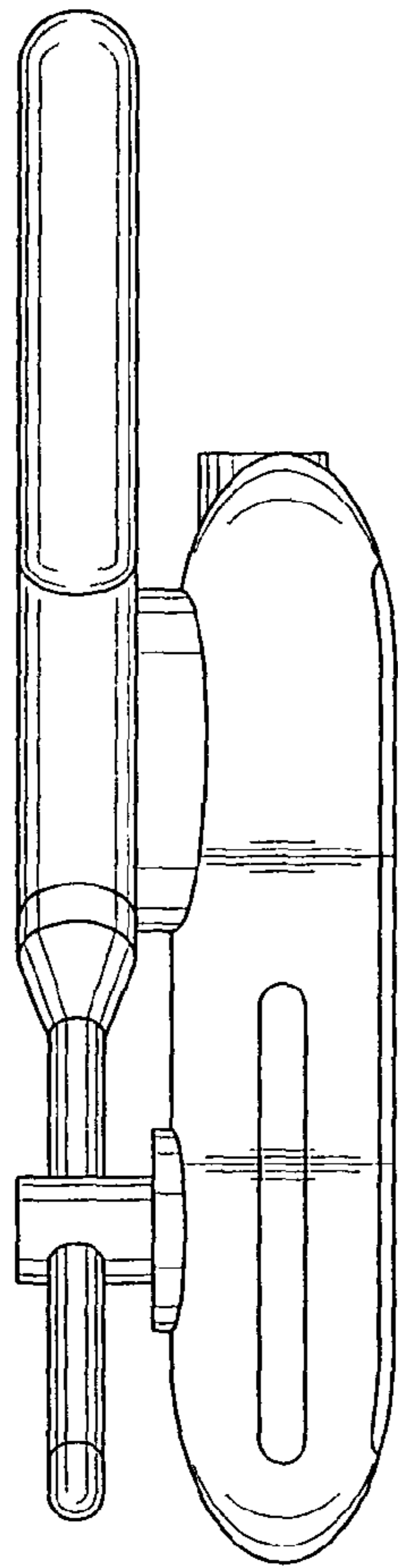


FIG. 4

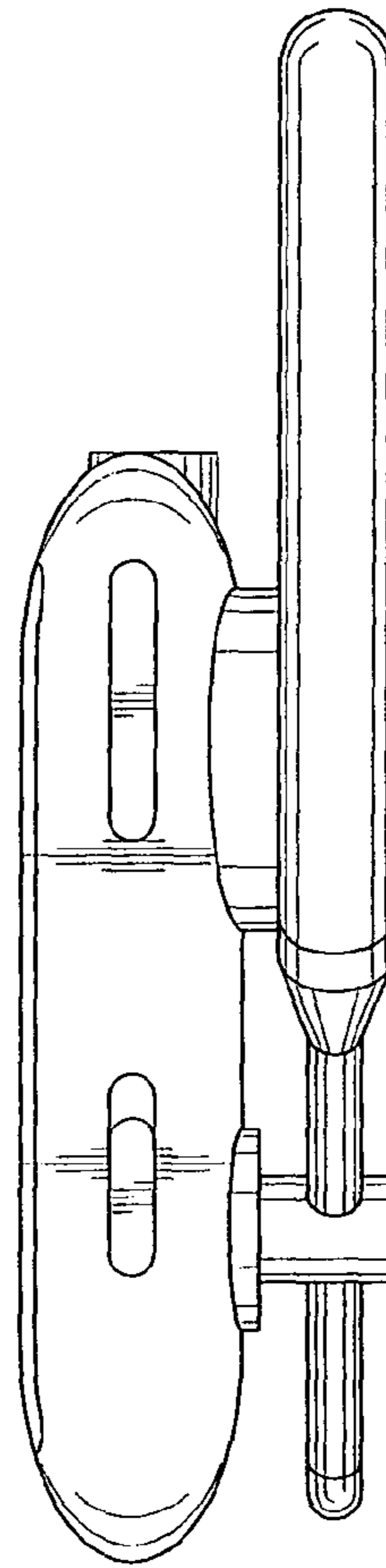


FIG. 5

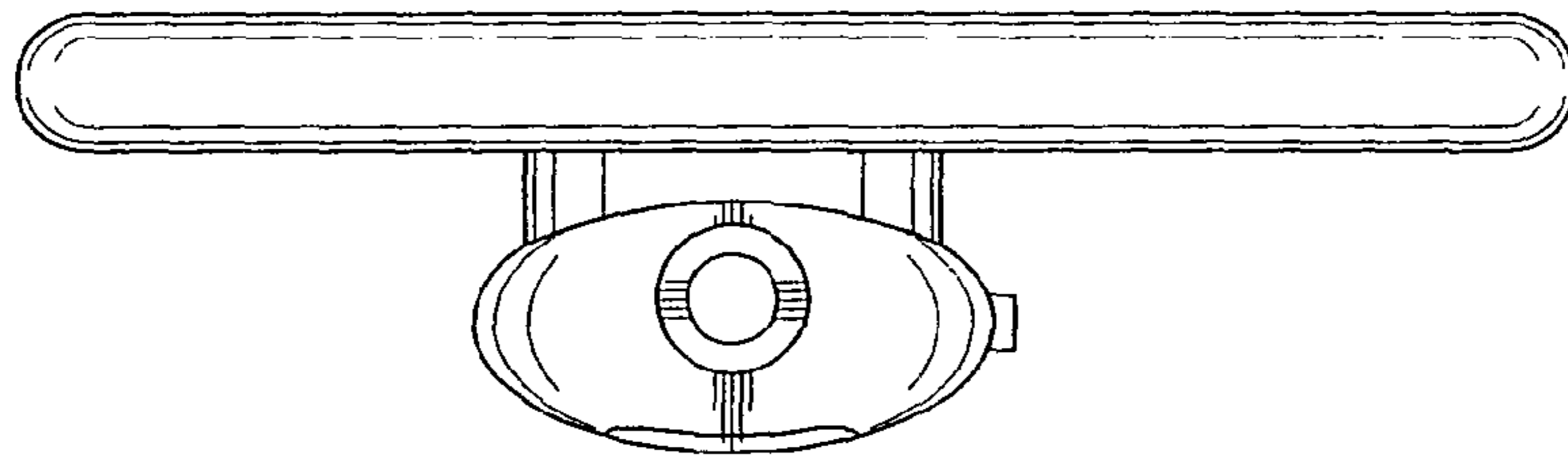


FIG. 6

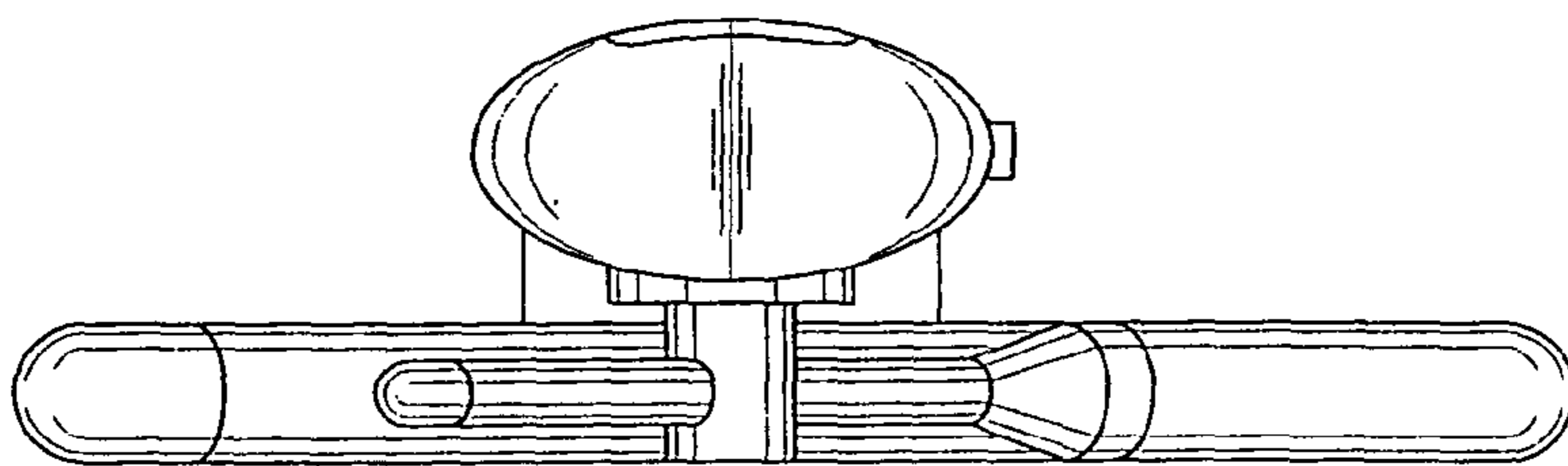


FIG. 7