



US00D650368S

(12) **United States Design Patent**  
**Lee et al.**

(10) **Patent No.:** **US D650,368 S**

(45) **Date of Patent:** **\*\* Dec. 13, 2011**

(54) **HEADPHONE**

(75) Inventors: **Noel Lee**, Las Vegas, NV (US); **Jacky Hsiung**, San Jose, CA (US)

(73) Assignee: **Monster Cable Products, Inc.**,  
Brisbane, CA (US)

(\*\*) Term: **14 Years**

(21) Appl. No.: **29/369,183**

(22) Filed: **Sep. 3, 2010**

(51) **LOC (9) Cl.** ..... **14-01**

(52) **U.S. Cl.** ..... **D14/223**

(58) **Field of Classification Search** ..... D14/205,  
D14/206, 223, 138 AD, 138 AA; 181/129,  
181/130, 135; 381/380, 381; 379/430.01,  
379/433.03, 420.04; D24/174; D11/24,  
D11/25; 455/569.1, 90.3

See application file for complete search history.

(56) **References Cited**

**U.S. PATENT DOCUMENTS**

D168,240 S *	11/1952	Rodriguez	.....	D11/24
D594,441 S	6/2009	Lee et al.		
D598,901 S	8/2009	Lee et al.		
D599,781 S	9/2009	Lee et al.		
D600,675 S	9/2009	Lee et al.		
D609,698 S *	2/2010	Ng	.....	D14/223
D622,707 S *	8/2010	Chen et al.	.....	D14/223
D627,764 S *	11/2010	Tsai et al.	.....	D14/223

D630,179 S *	1/2011	Park et al.	.....	D14/138 AA
D631,037 S *	1/2011	Park et al.	.....	D14/223
D636,763 S *	4/2011	Walter	.....	D14/223

\* cited by examiner

*Primary Examiner* — Paula Greene

(74) *Attorney, Agent, or Firm* — LaRiviere, Grubman & Payne, LLP

(57) **CLAIM**

The ornamental design for a headphone, as shown and described.

**DESCRIPTION**

FIG. 1 is a perspective view of a headphone, showing our design;

FIG. 2 is an opposing perspective view thereof;

FIG. 2A is an opposing perspective view of a second embodiment of a headphone showing our new design, the only difference being the control pad;

FIG. 3 is a top view thereof;

FIG. 4 is a bottom view thereof;

FIG. 5 is a front view thereof;

FIG. 5A is a front view of the second embodiment of FIG. 2A;

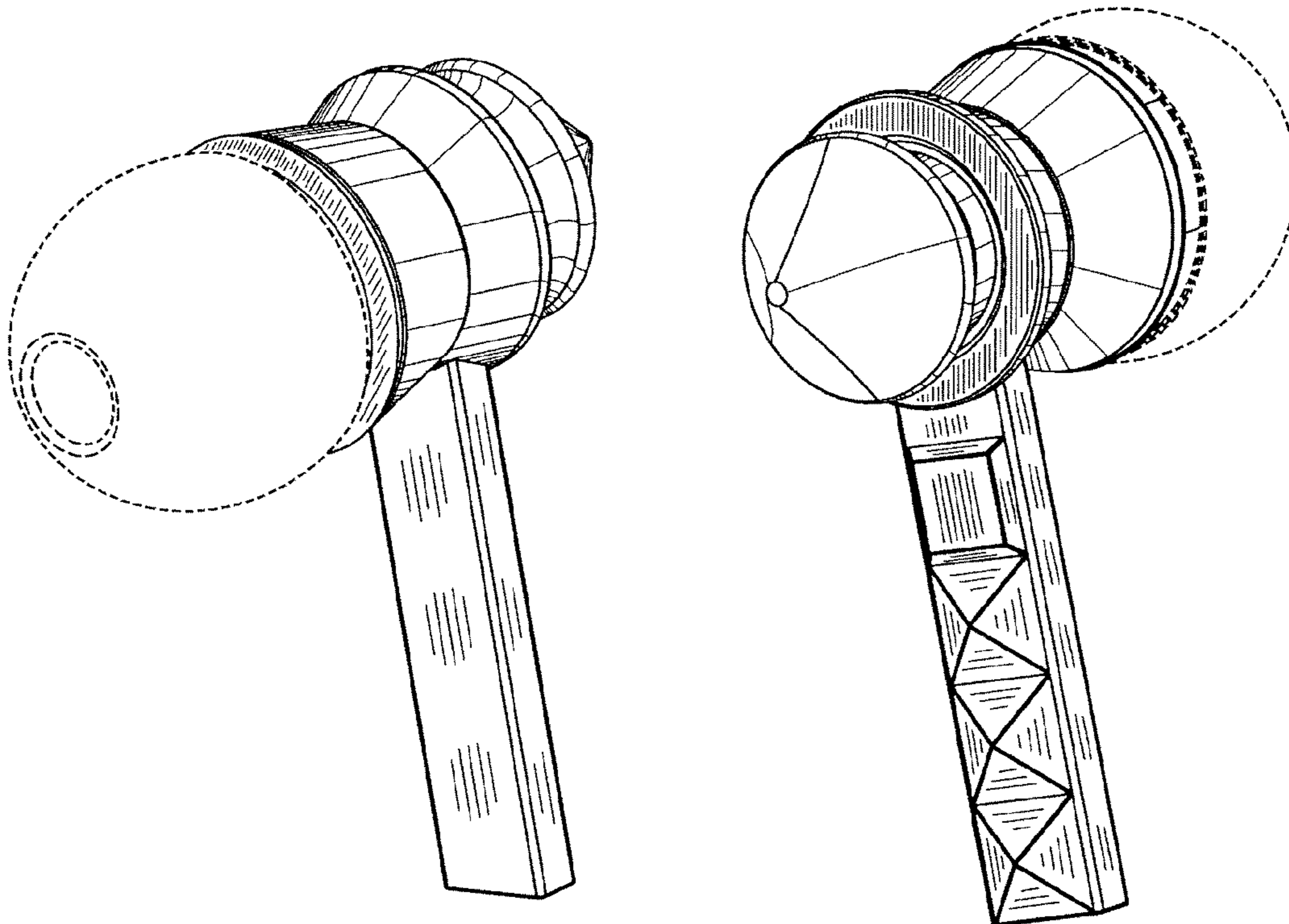
FIG. 6 is a back view thereof;

FIG. 7 is a side view thereof; and,

FIG. 8 is an opposing side view thereof.

The broken lines showing the environment are for illustrative purposes only and form no part of the claimed design.

**1 Claim, 4 Drawing Sheets**



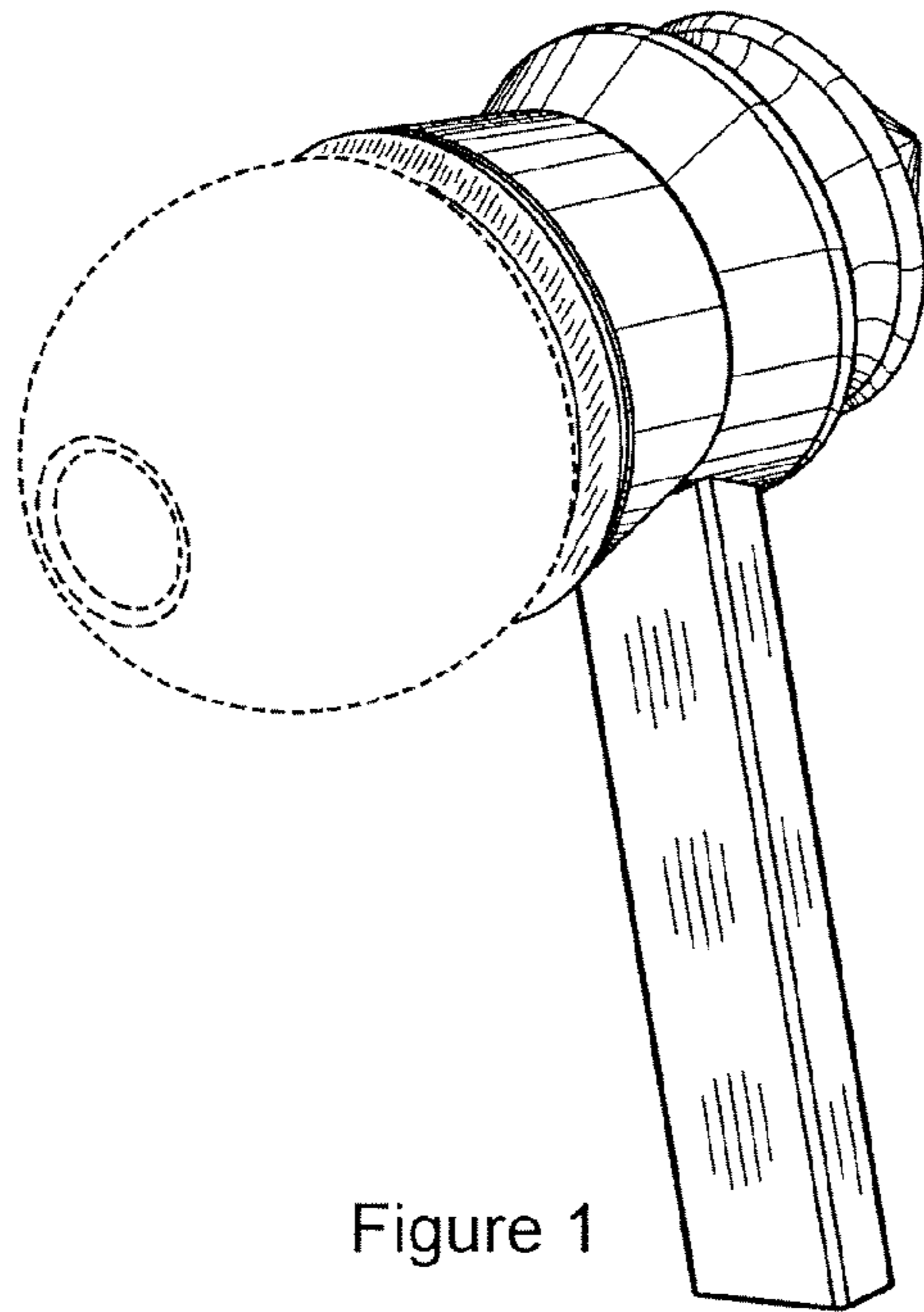


Figure 1

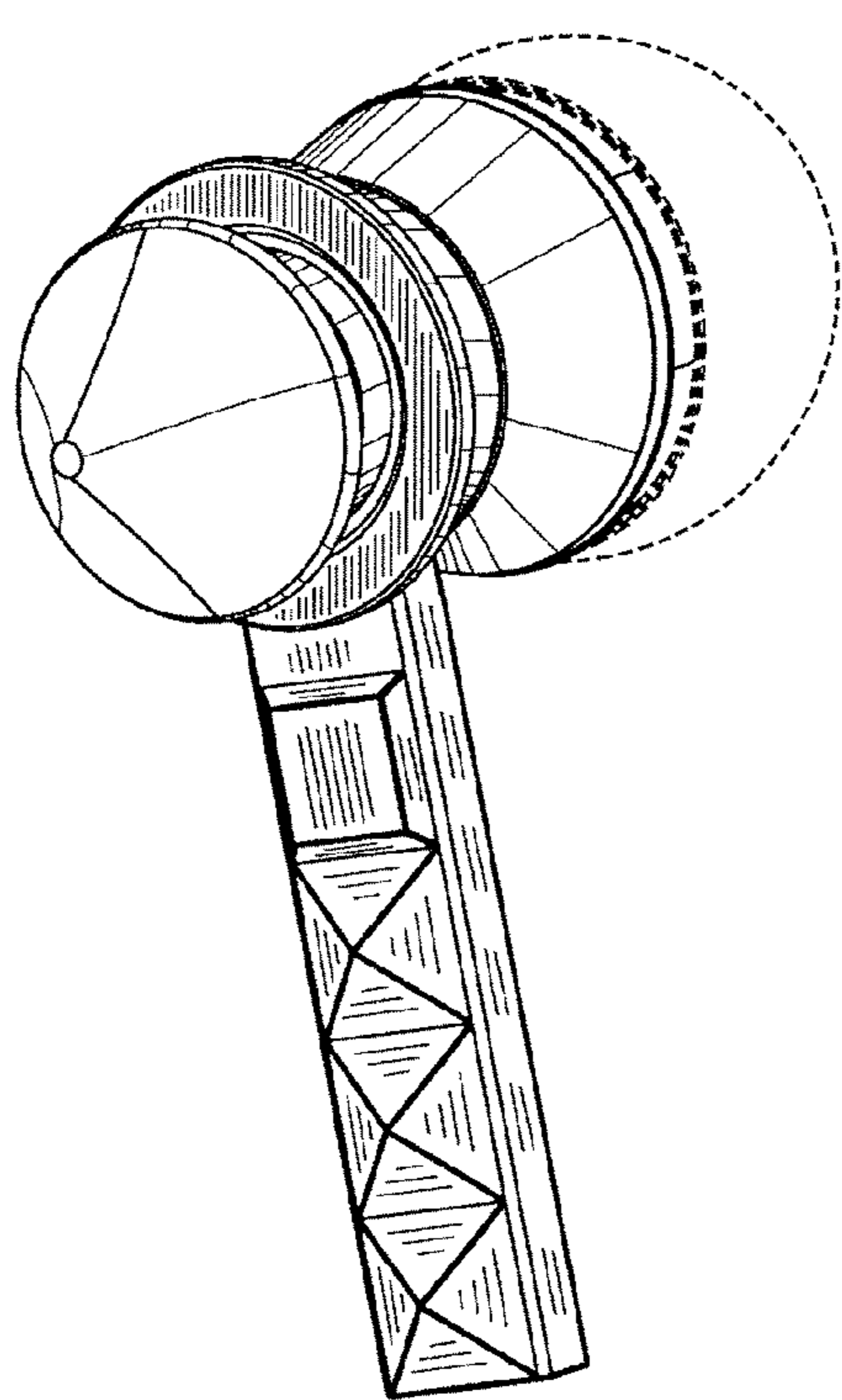


Figure 2

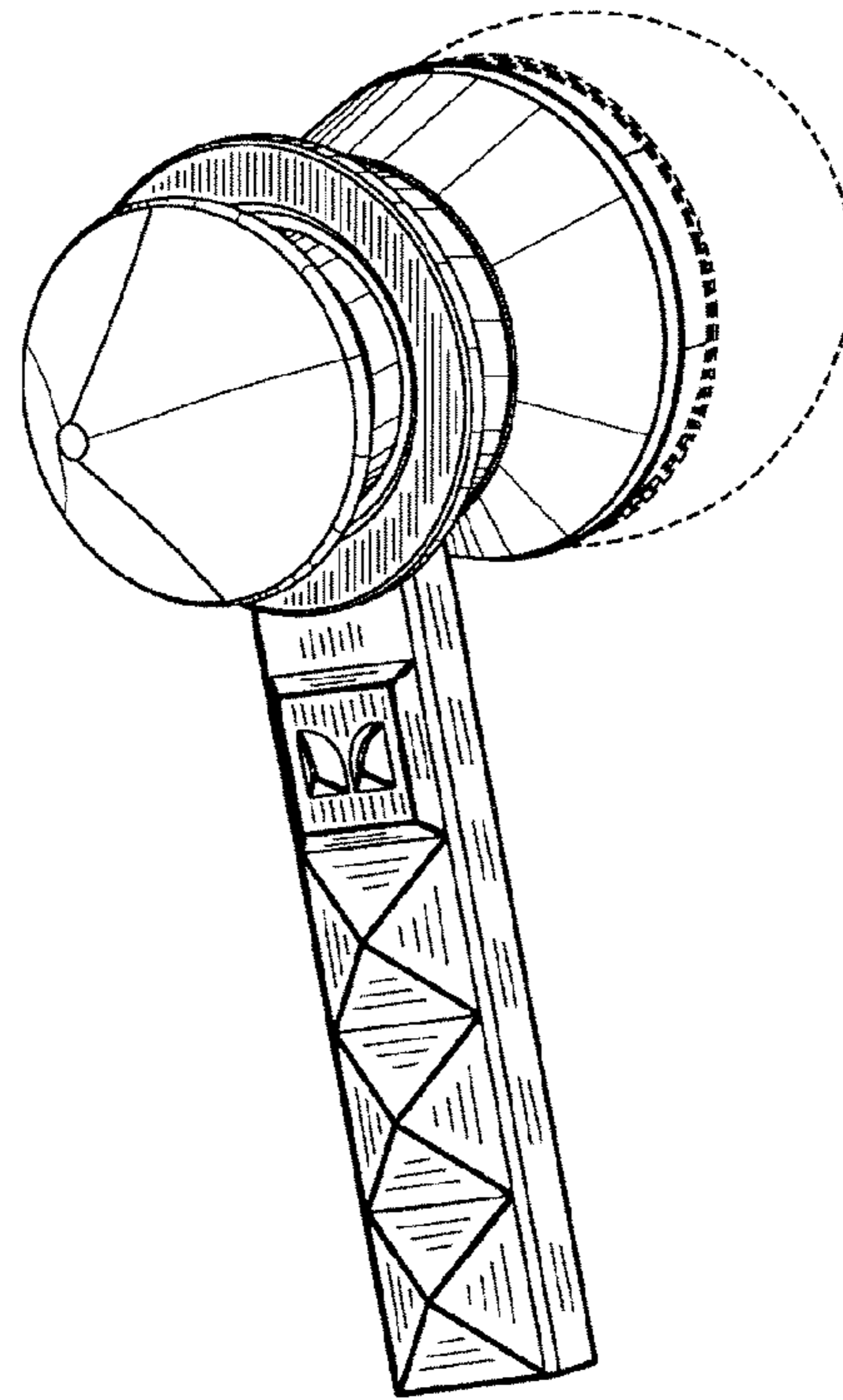


Figure 2A

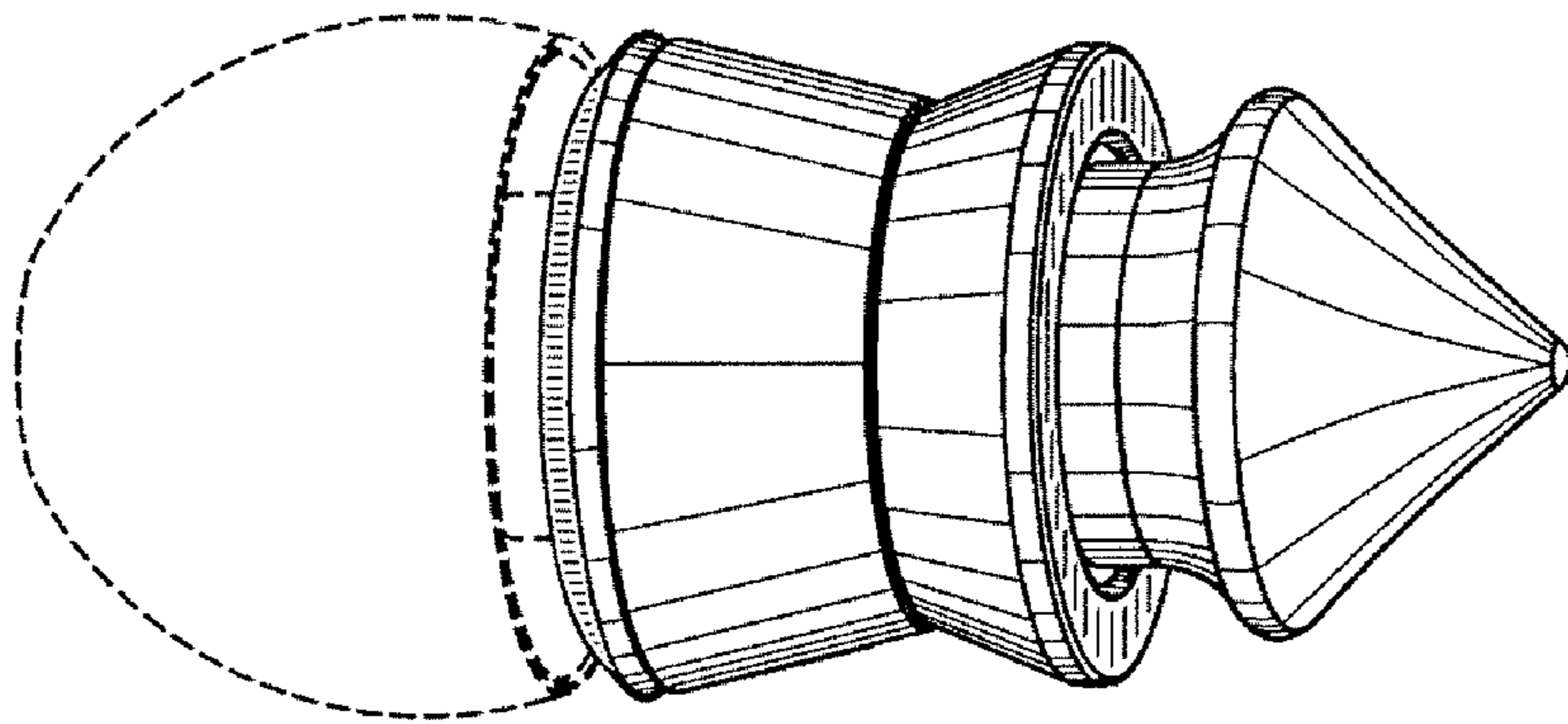


Figure 3

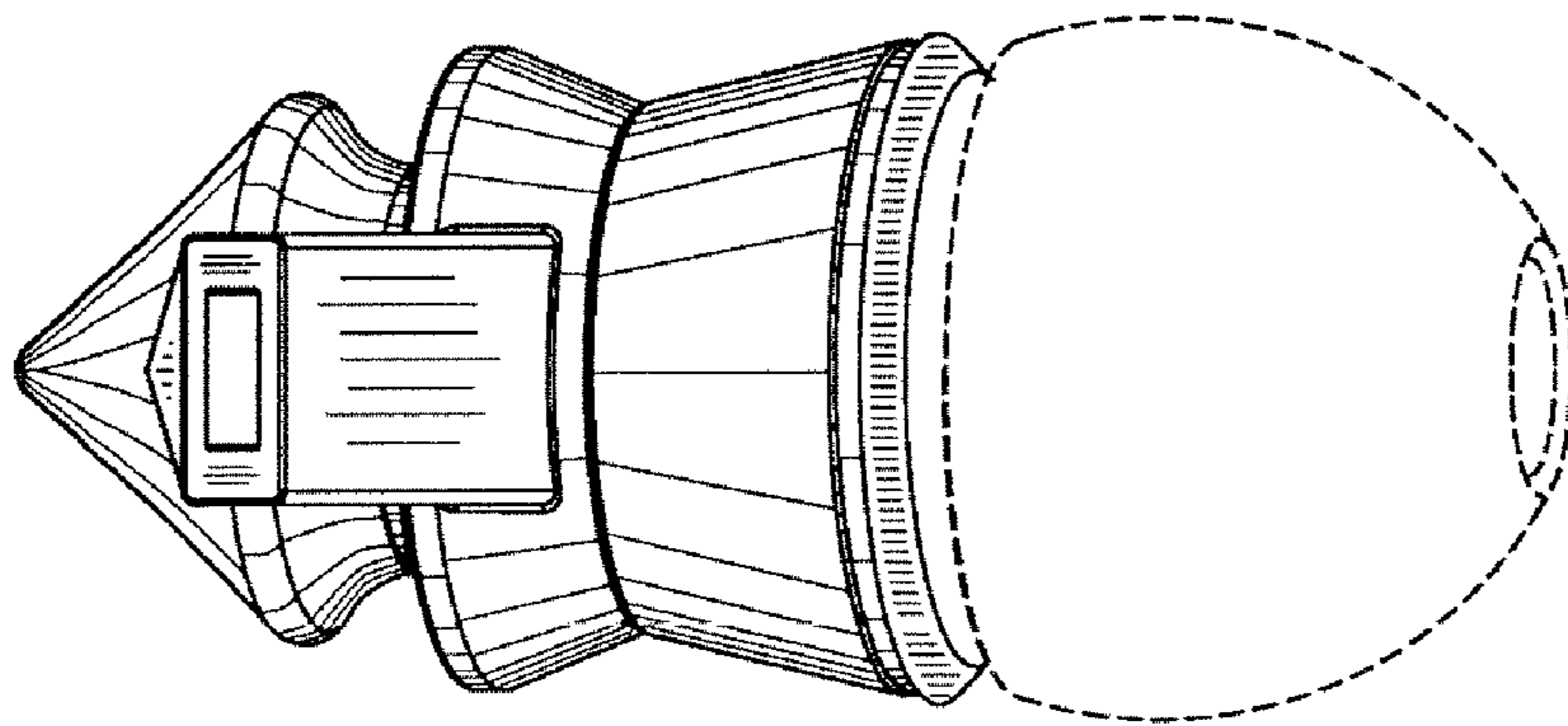


Figure 4



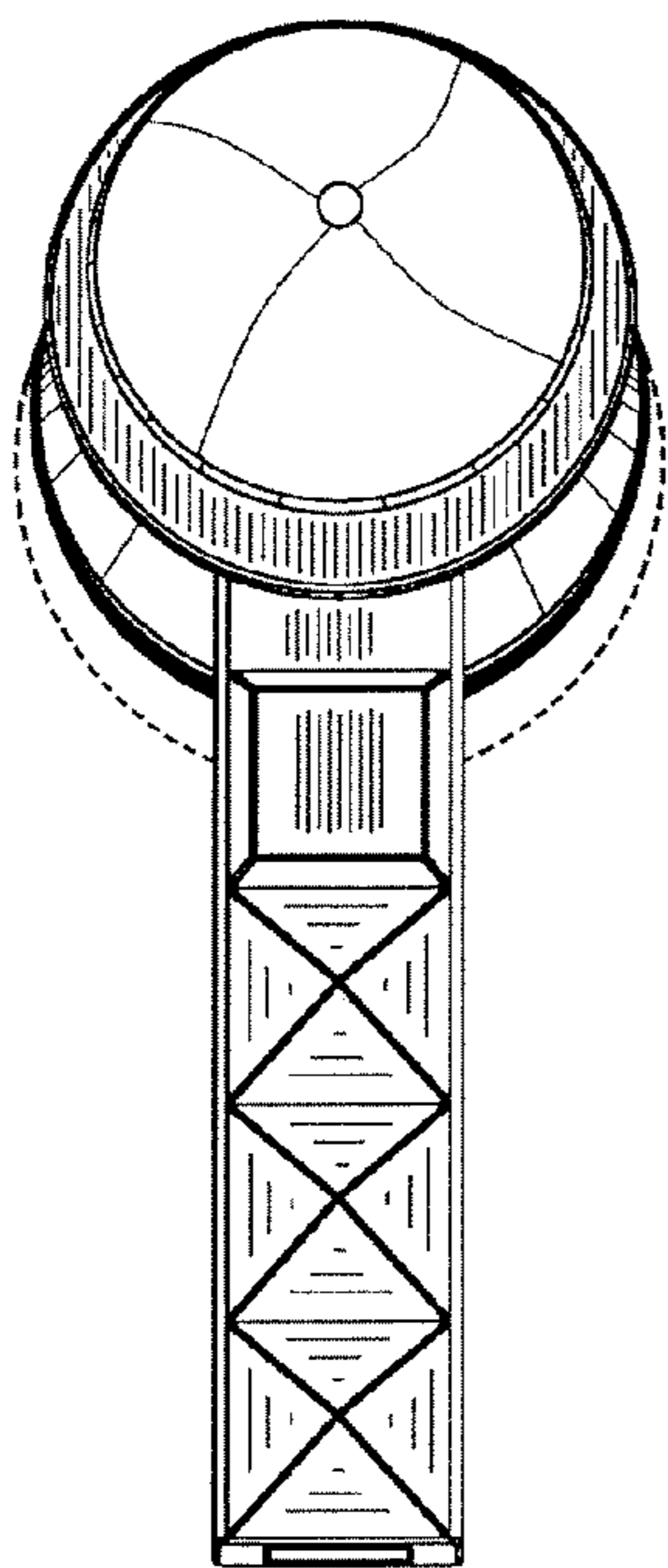


Figure 5

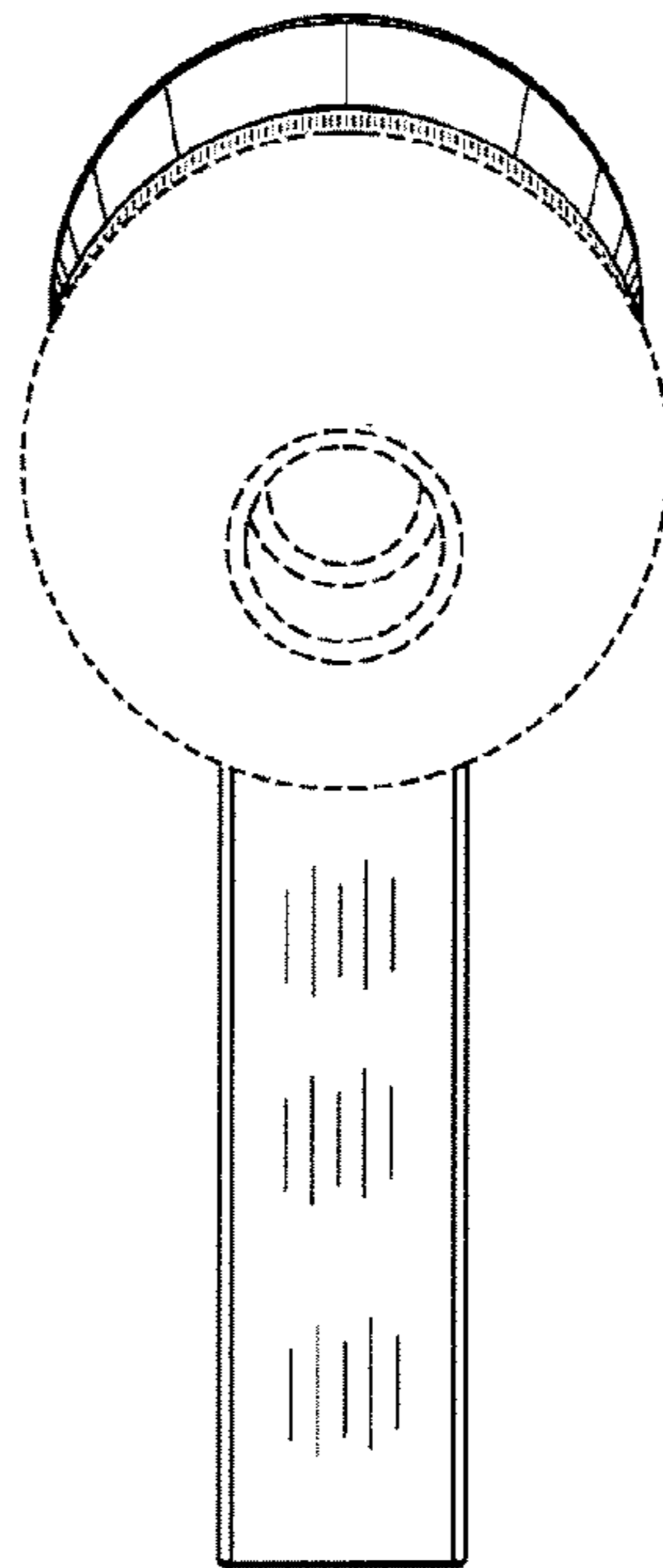


Figure 6

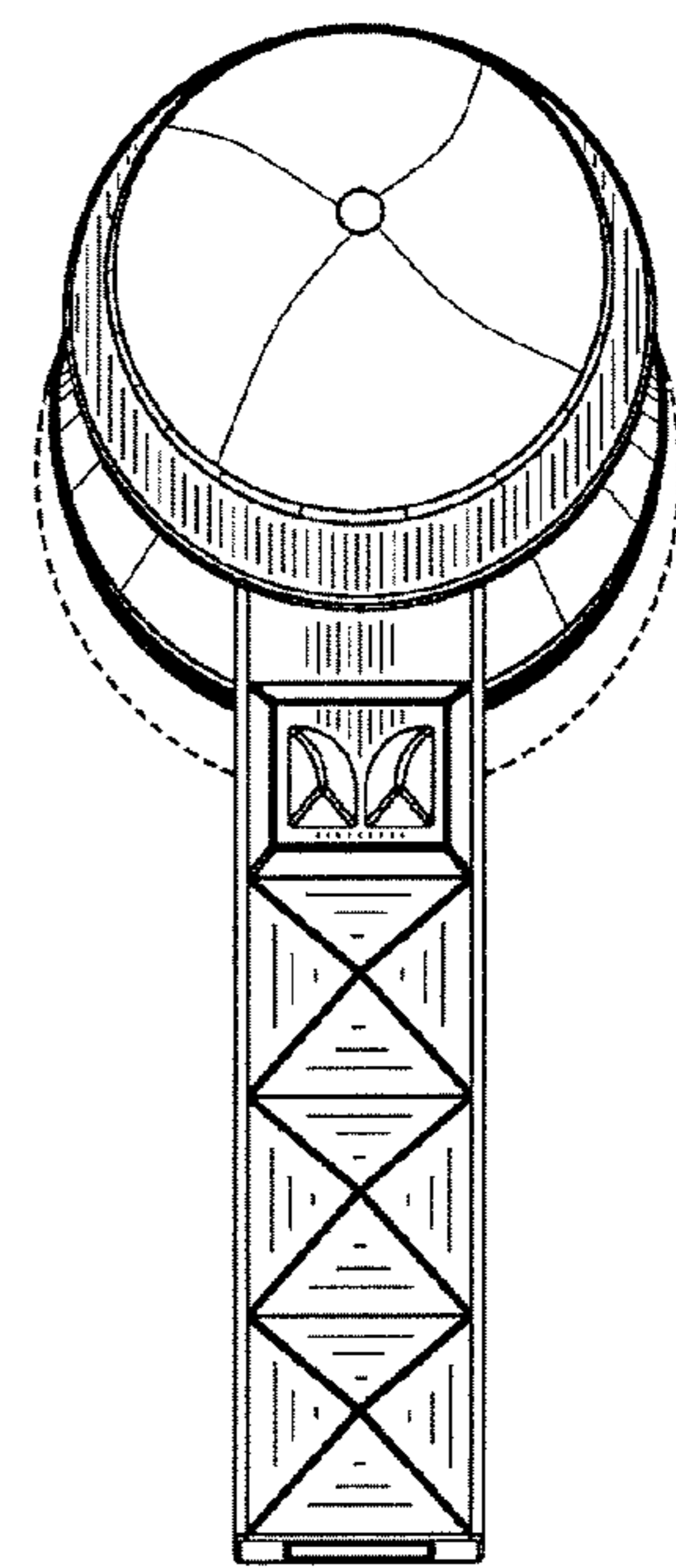


Figure 5A

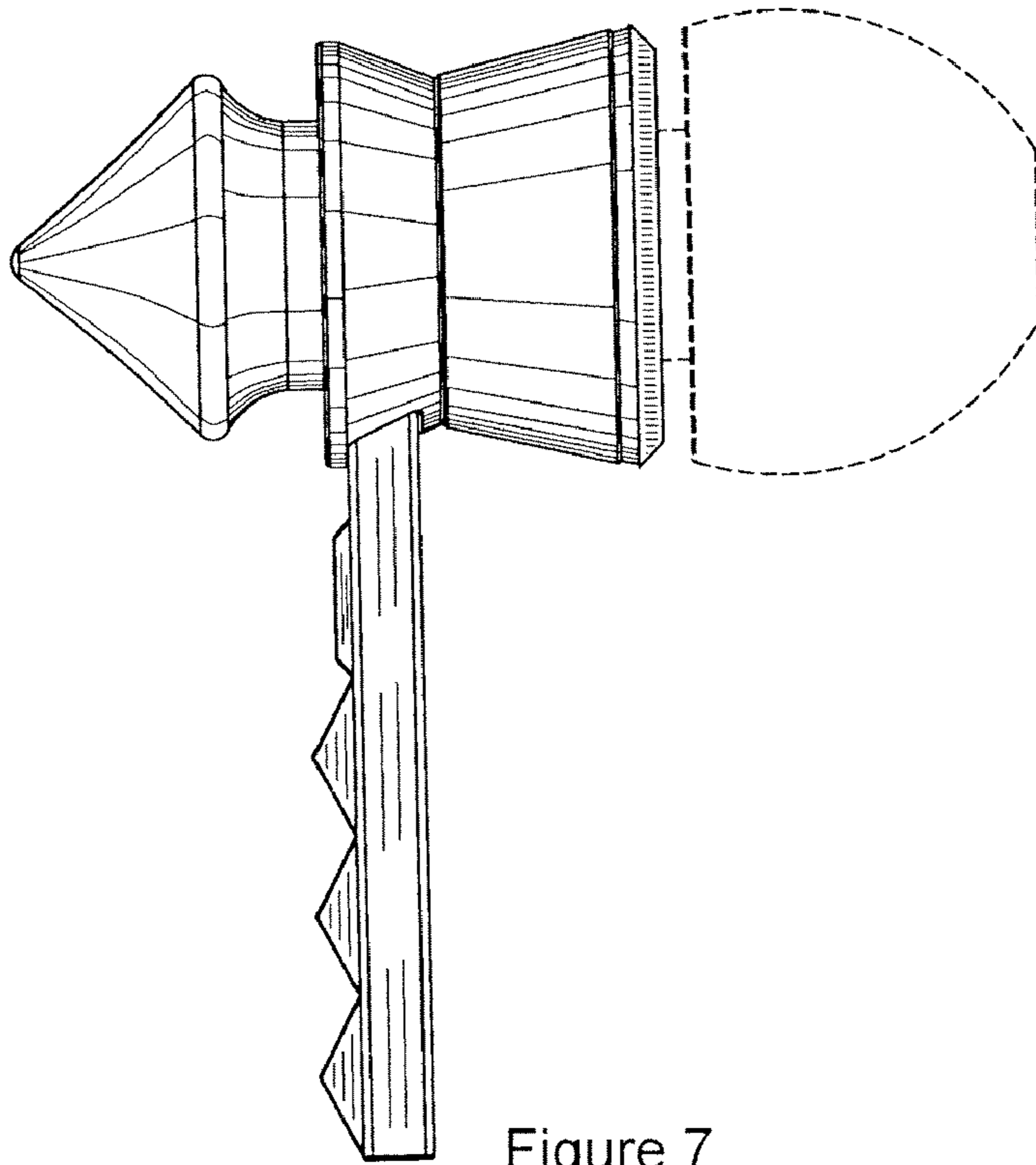


Figure 7

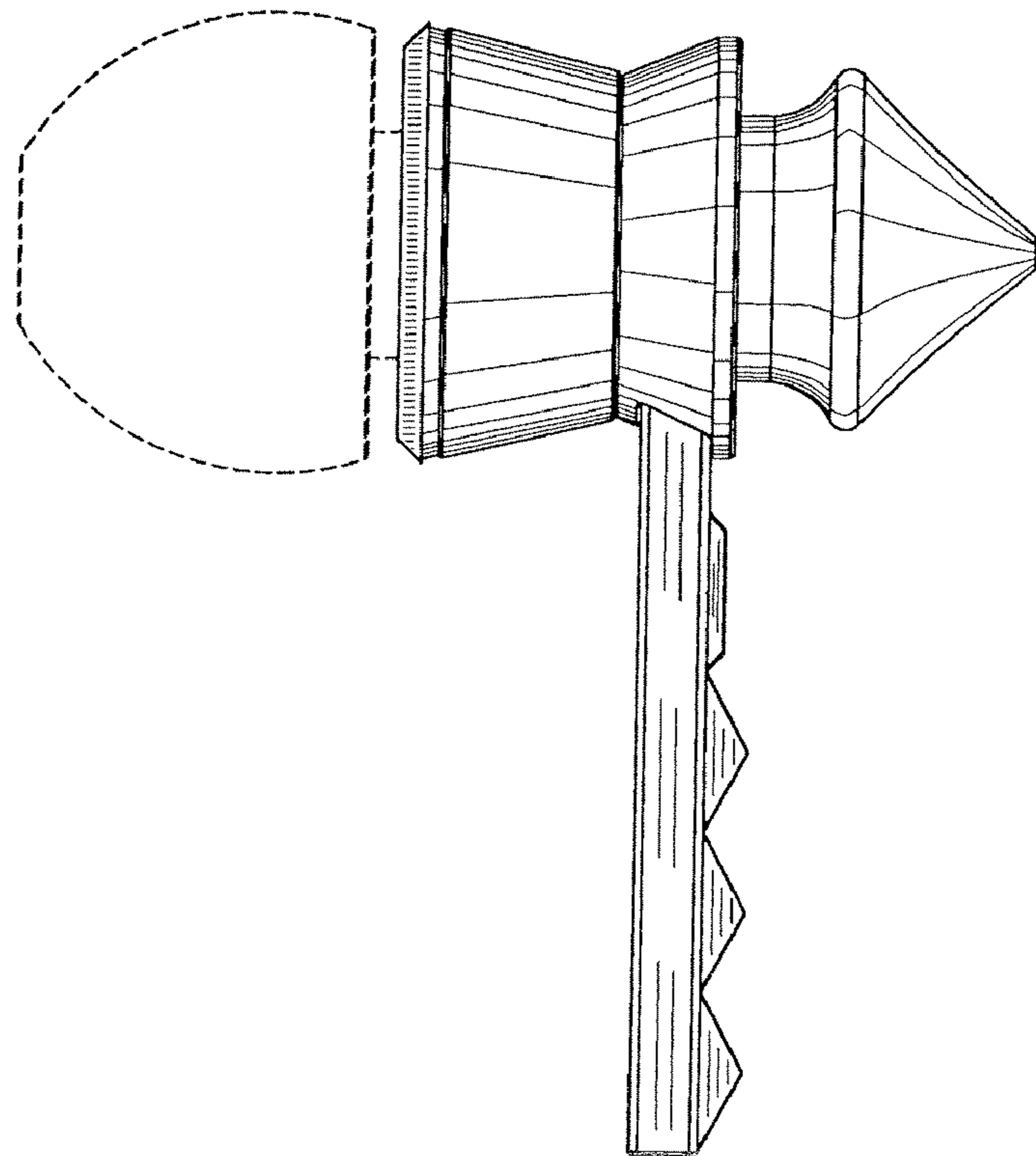


Figure 8