



US00D650366S

(12) **United States Design Patent**  
**McManigal et al.**

(10) **Patent No.:** **US D650,366 S**

(45) **Date of Patent:** **\*\* \*Dec. 13, 2011**

(54) **TELEVISION REMOTE WITH MULTIPLE SURFACES**

(75) Inventors: **Scott McManigal**, Irvine, CA (US);  
**Wesley Millora**, Irvine, CA (US)

(73) Assignee: **Vizio, Inc.**, Irvine, CA (US)

(\*) Notice: This patent is subject to a terminal disclaimer.

(\*\*) Term: **14 Years**

(21) Appl. No.: **29/384,614**

(22) Filed: **Feb. 1, 2011**

(51) **LOC (9) Cl.** ..... **14-03**

(52) **U.S. Cl.** ..... **D14/218**

(58) **Field of Classification Search** ..... D14/218,  
D14/455; D13/168; D21/566; D10/104,  
D10/106; 345/169; 348/14.05, 114, 211.99,  
348/734; 340/825.24; 341/22; 455/92, 95,  
455/128, 151.1–151.4, 352, 355, FOR. 121;  
700/65

See application file for complete search history.

(56) **References Cited**

**U.S. PATENT DOCUMENTS**

D406,589	S	*	3/1999	Ito et al.	.....	D14/218
D534,900	S	*	1/2007	Weitgasser et al.	.....	D14/218
D582,895	S	*	12/2008	Frazer	.....	D14/218
D587,689	S	*	3/2009	Hwang et al.	.....	D14/218
D590,368	S	*	4/2009	Mezaki	.....	D14/138 AD
D599,328	S	*	9/2009	Derocher et al.	.....	D14/218
7,610,069	B2	*	10/2009	Kwak et al.	.....	455/575.4
D606,520	S	*	12/2009	McRae et al.	.....	D14/218

D606,539	S	*	12/2009	Liao et al.	.....	D14/346
D609,221	S	*	2/2010	Kim et al.	.....	D14/218
D618,666	S	*	6/2010	Shin et al.	.....	D14/218
D628,982	S	*	12/2010	Tellier	.....	D14/218
D628,984	S	*	12/2010	VanDuyn et al.	.....	D14/218
D628,985	S	*	12/2010	VanDuyn et al.	.....	D14/218
D628,987	S	*	12/2010	VanDuyn et al.	.....	D14/218
D630,188	S	*	1/2011	Daniels	.....	D14/218
2010/0035668	A1	*	2/2010	Lee	.....	455/575.4

\* cited by examiner

*Primary Examiner* — Celia A. Murphy

*Assistant Examiner* — John Windmuller

(74) *Attorney, Agent, or Firm* — Law Office of Scott C. Harris, Inc.

(57) **CLAIM**

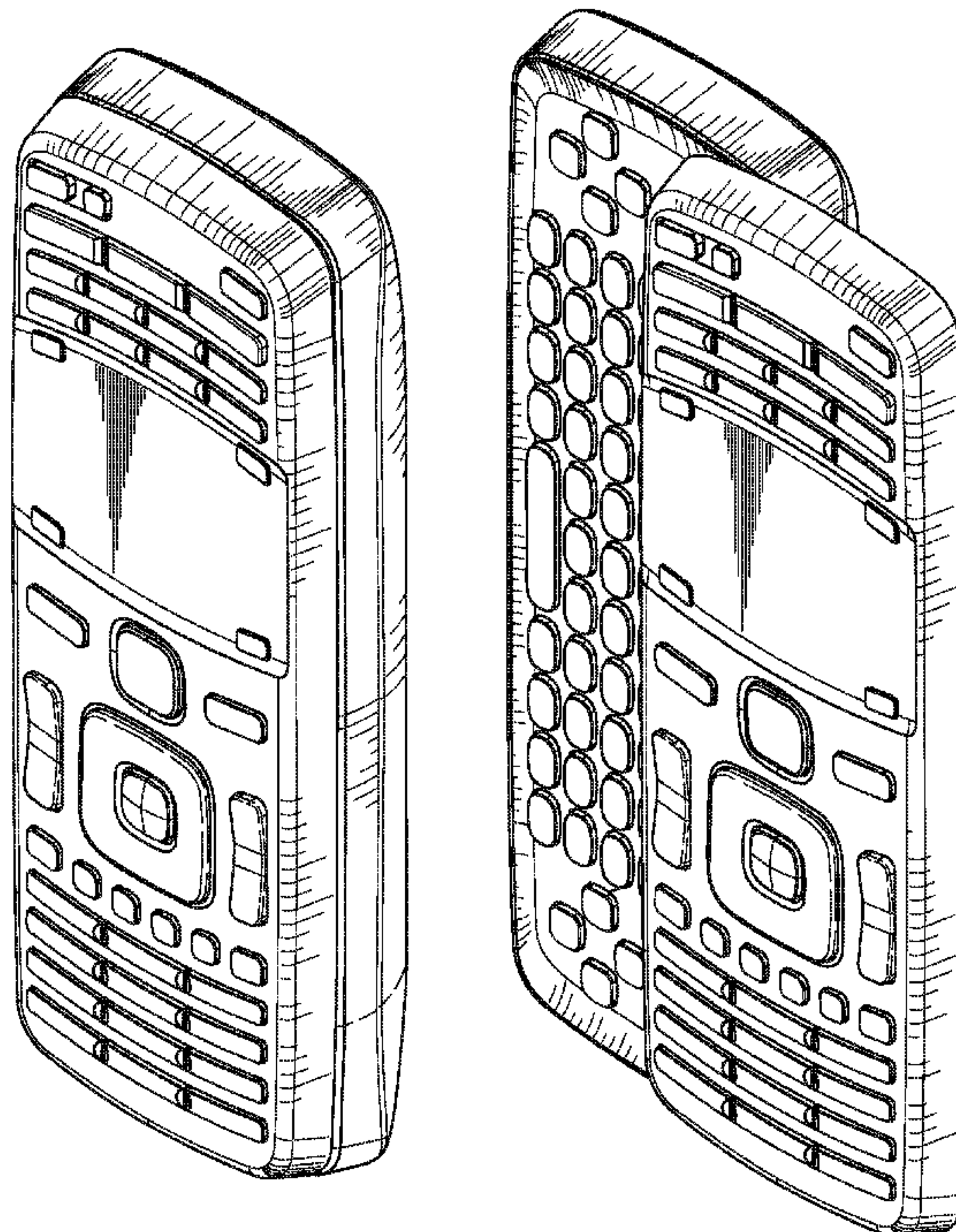
The ornamental design for a television remote with multiple surfaces, as shown.

**DESCRIPTION**

FIG. 1 is a perspective view of a television remote with multiple surfaces showing our new design;  
FIG. 2 is a front elevation view thereof;  
FIG. 3 is a rear elevation view thereof;  
FIG. 4 is a left side elevation view thereof;  
FIG. 5 is a right side elevation view thereof;  
FIG. 6 is a top plan view thereof  
FIG. 7 is a bottom plan view thereof;  
FIG. 8 is a perspective view thereof in an open position;  
FIG. 9 is a front elevation view thereof;  
FIG. 10 is a rear elevation view thereof;  
FIG. 11 is a top plan view thereof; and,  
FIG. 12 is a bottom plan view thereof.

The broken lines in FIG. 10 indicate portions of the remote control which form no part of the claimed design.

**1 Claim, 9 Drawing Sheets**



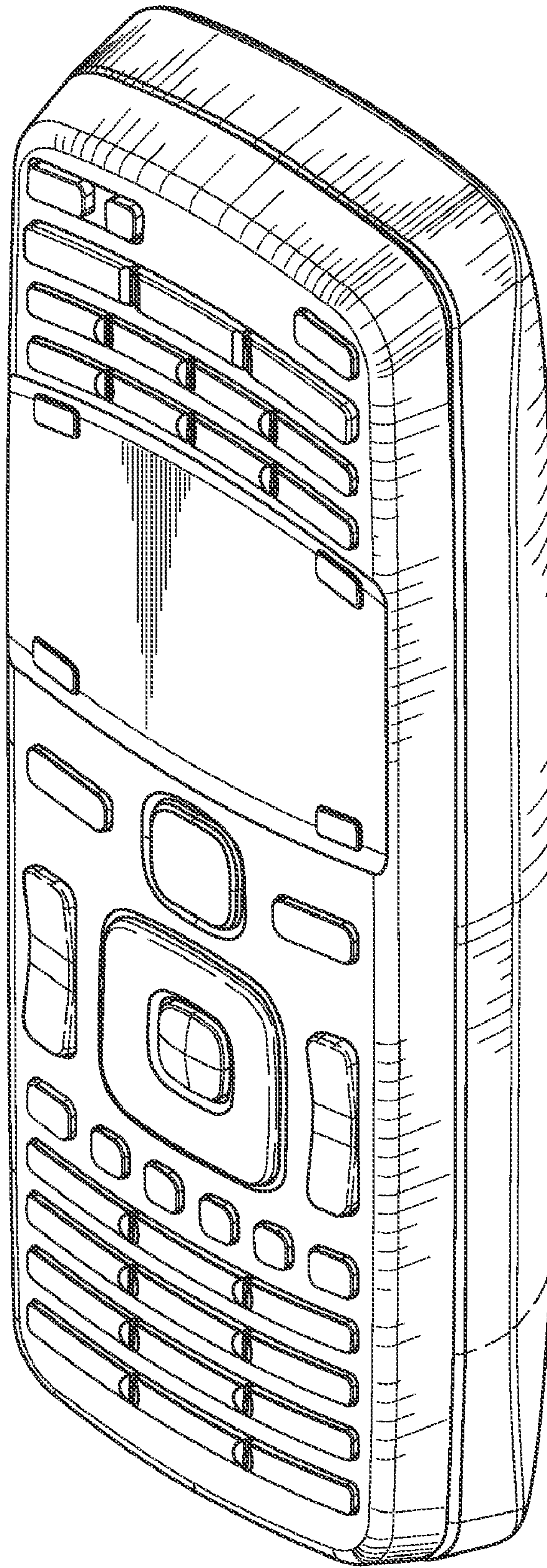


FIG. 1



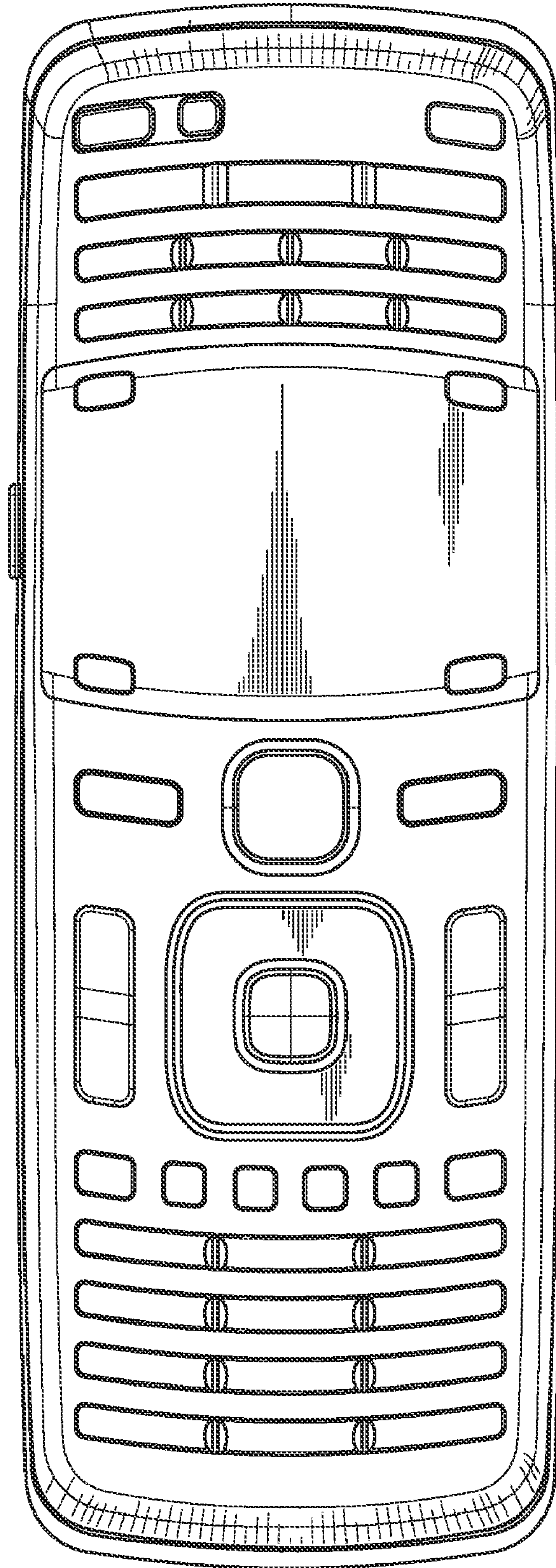
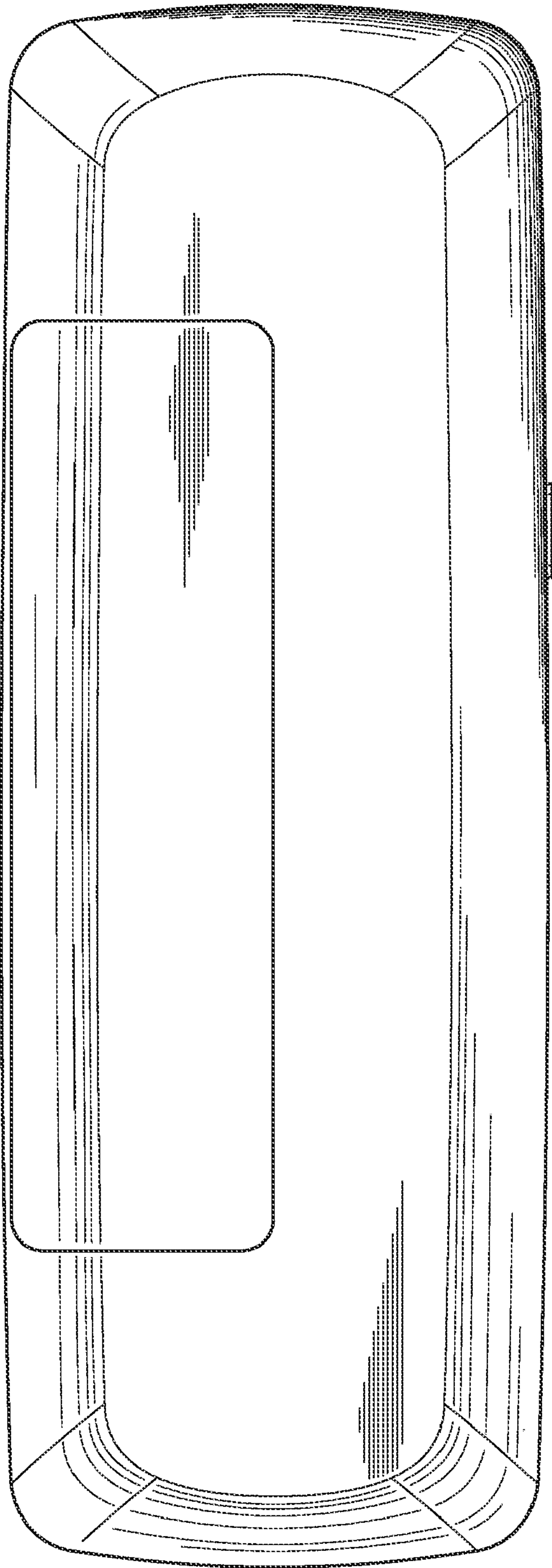


FIG. 2



**FIG. 3**

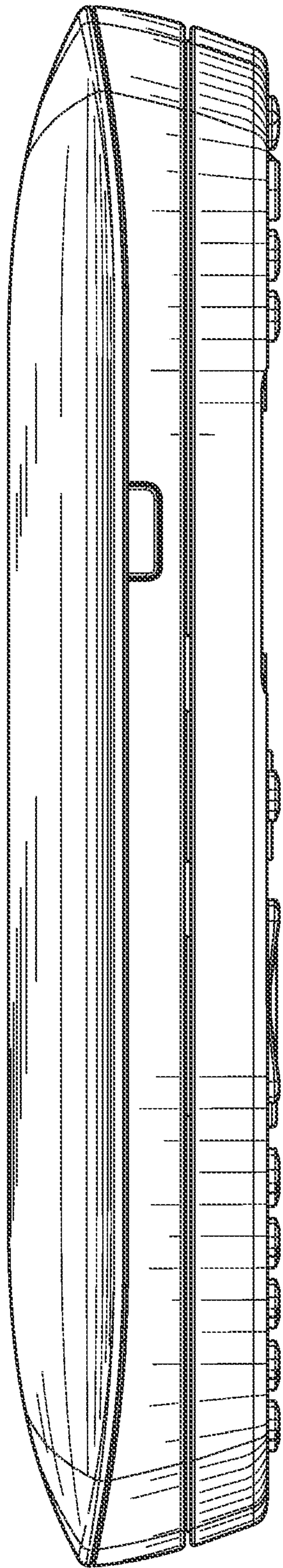


FIG. 4

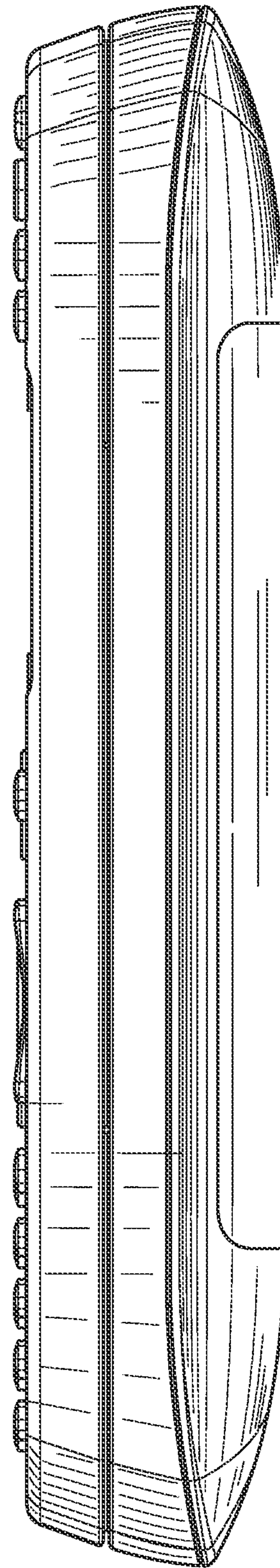
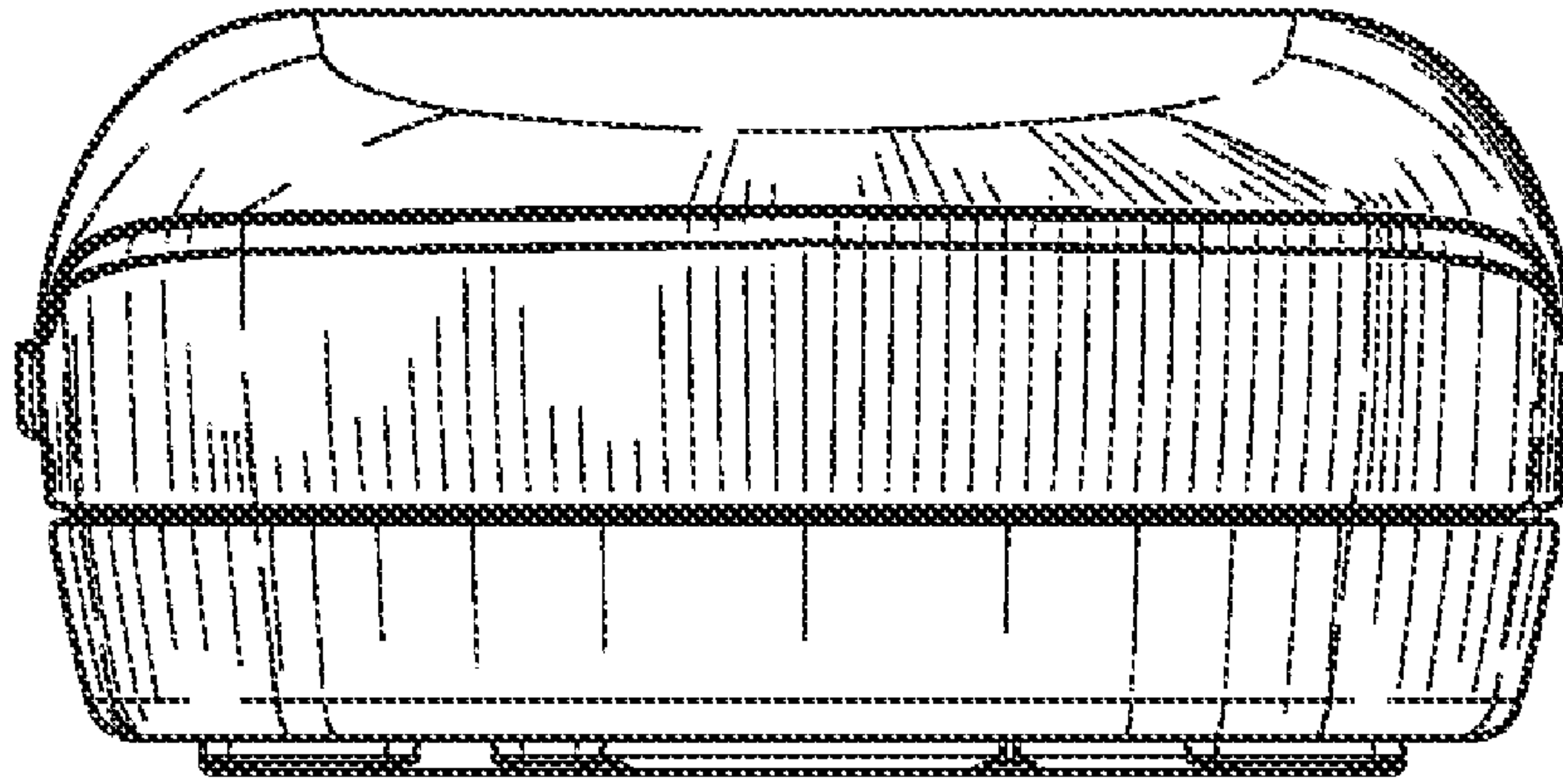
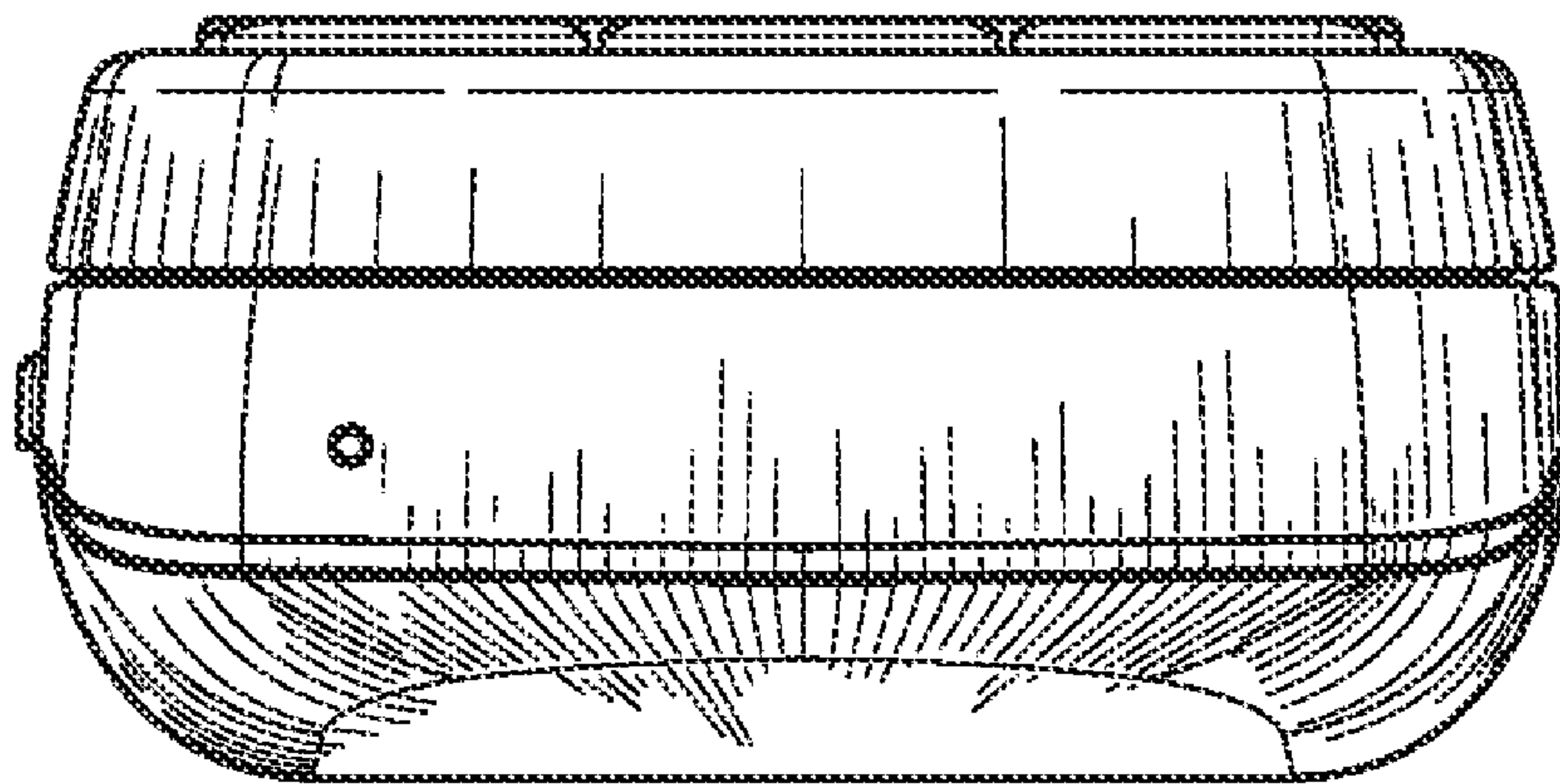


FIG. 5





**FIG. 6**



**FIG. 7**

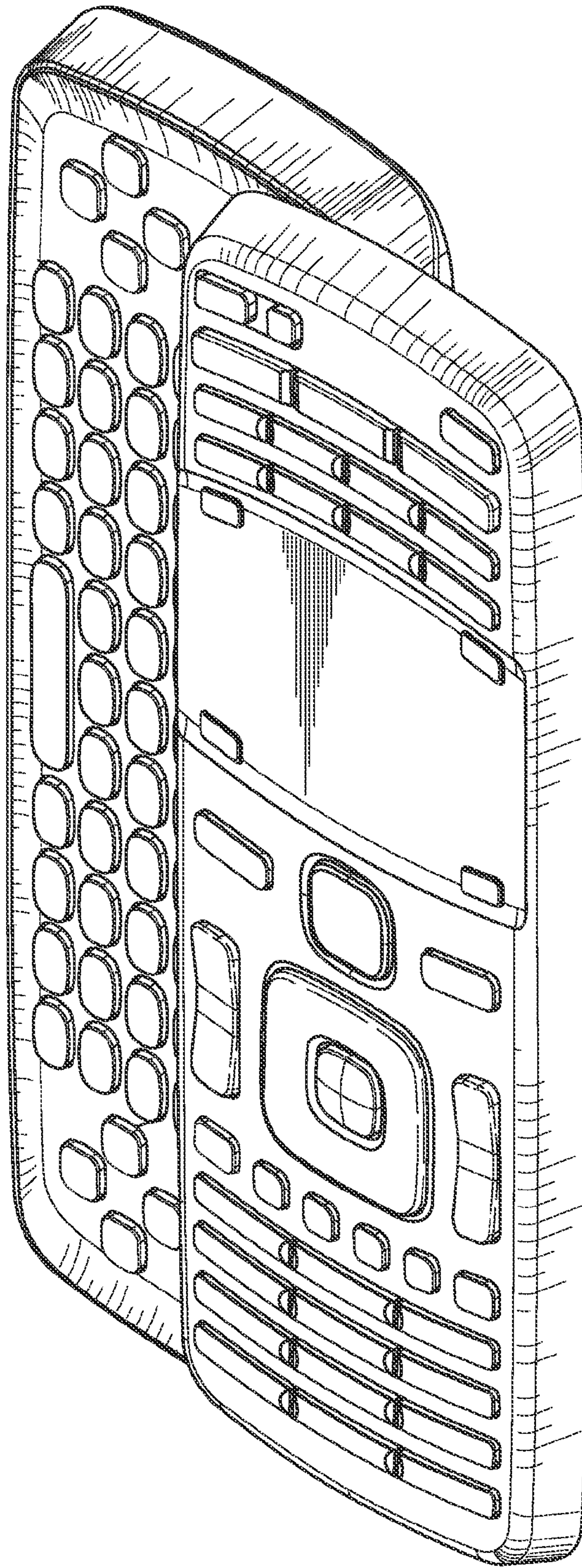


FIG. 8



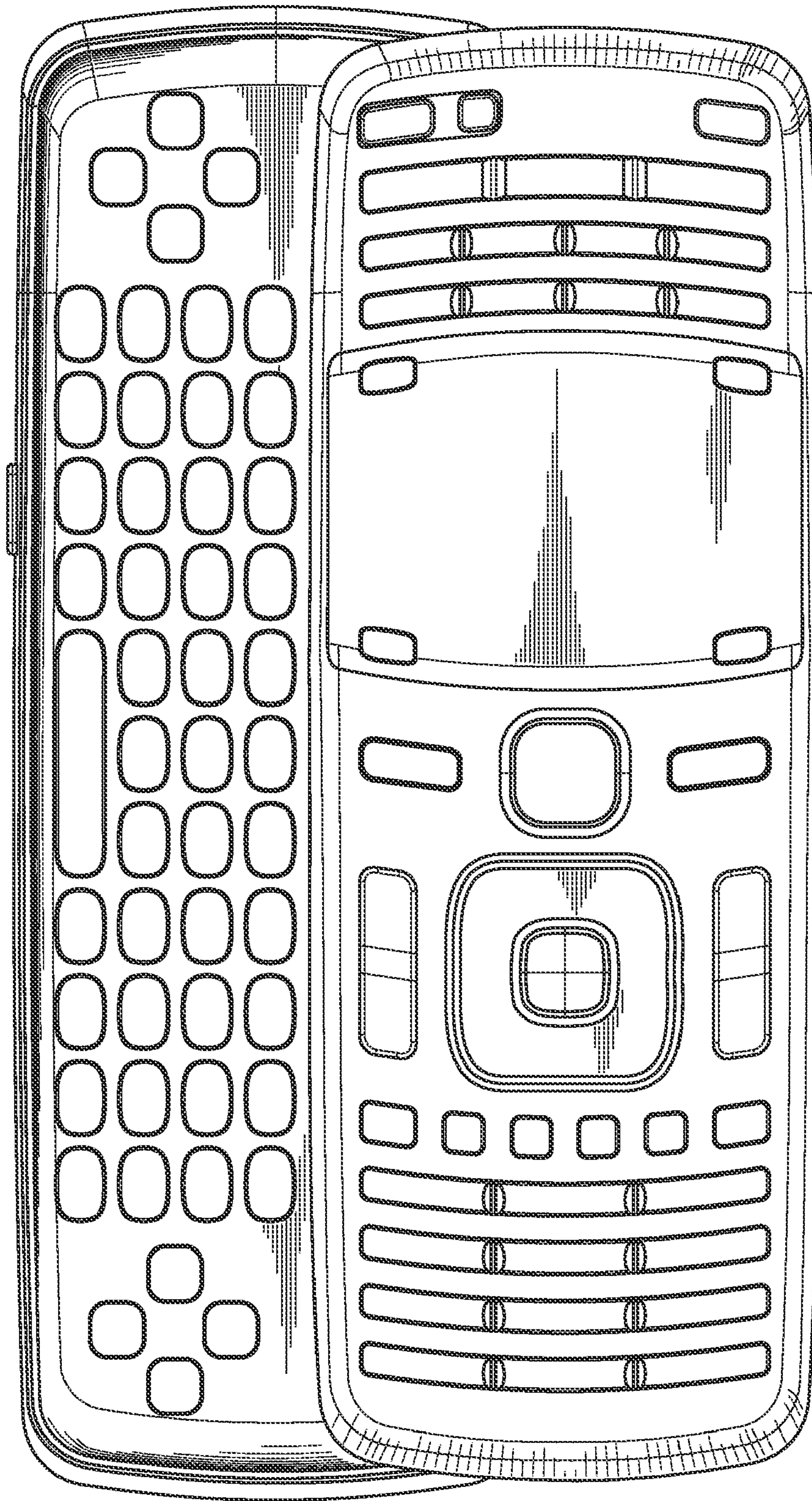


FIG. 9



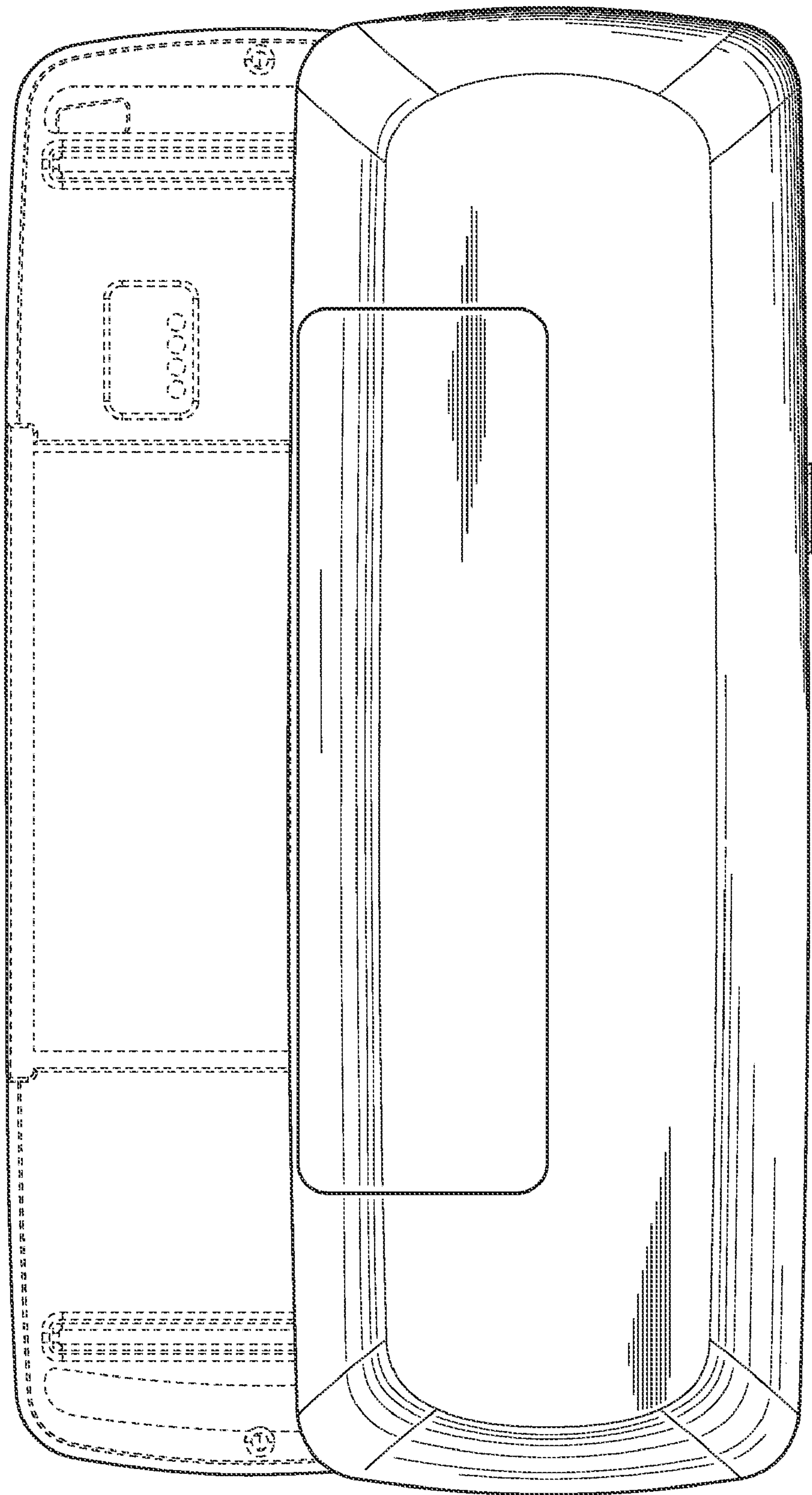
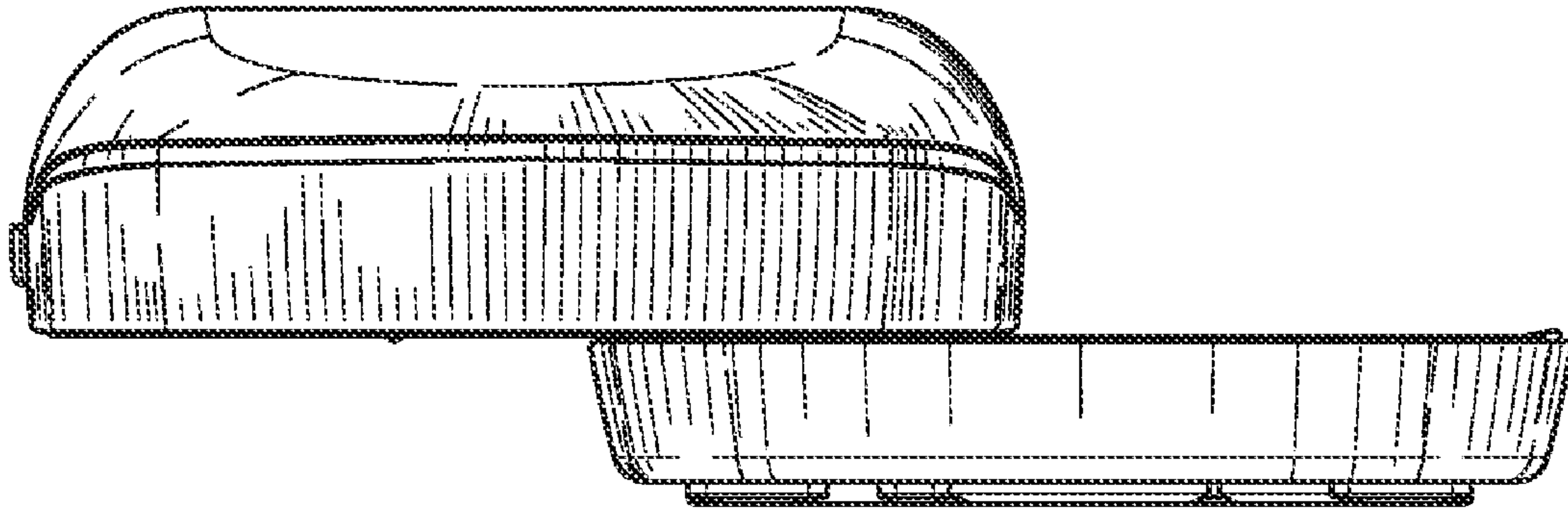
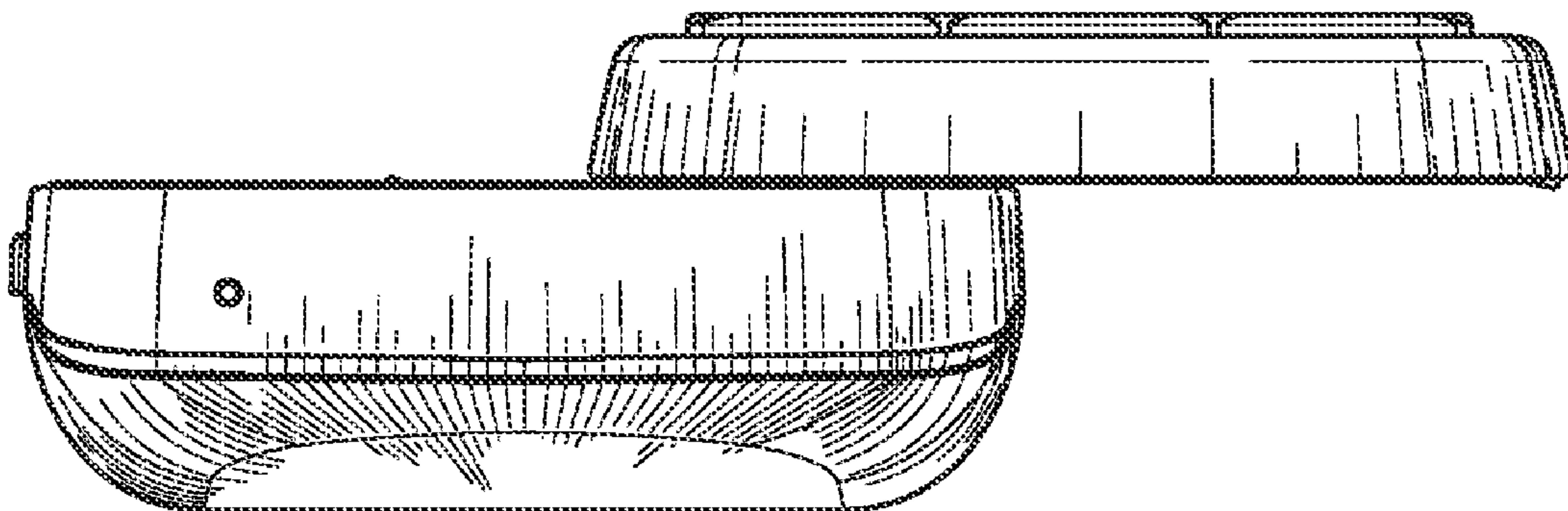


FIG. 10



**FIG. 11**



**FIG. 12**