



US00D650363S

(12) **United States Design Patent**  
**Solland**

(10) **Patent No.:** **US D650,363 S**

(45) **Date of Patent:** **\*\* Dec. 13, 2011**

(54) **AUDIO AND DOCKING STATION FOR A  
HANDHELD ELECTRONIC DEVICE**

(75) Inventor: **Kurt Solland**, Westlake Village, CA  
(US)

(73) Assignee: **Harman International Industries,  
Incorporated**, Northridge, CA (US)

(\*\*) Term: **14 Years**

(21) Appl. No.: **29/369,174**

(22) Filed: **Sep. 2, 2010**

(51) **LOC (9) Cl.** ..... **09-01**

(52) **U.S. Cl.** ..... **D14/217**

(58) **Field of Classification Search** ..... D14/140,  
D14/142, 149, 155, 157, 188, 191–193, 203.1–203.8,  
D14/217, 240, 243, 251, 253, 432–435.1,  
D14/447, 451, 496, 474, 480.1–480.7; D13/107,  
D13/118; D3/218; 248/221.11, 309.1; 320/107,  
320/110, 113–115; 361/600; 439/529, 534;  
455/556.1–556.2, 557

See application file for complete search history.

(56) **References Cited**

**U.S. PATENT DOCUMENTS**

D399,842 S *	10/1998	Matsuda et al.	.....	D14/150
D516,538 S *	3/2006	Hibi	.....	D14/168
D519,975 S *	5/2006	Skulley et al.	.....	D14/149
D523,412 S *	6/2006	Ham	.....	D14/149
D538,267 S *	3/2007	Christianson et al.	.....	D14/216
D554,108 S *	10/2007	Solland	.....	D14/217
D554,583 S *	11/2007	Solland	.....	D13/108
D600,679 S *	9/2009	Upham et al.	.....	D14/217
D606,044 S *	12/2009	Lee	.....	D14/217
D611,033 S *	3/2010	Ferber et al.	.....	D14/209.1

D611,931 S *	3/2010	Lee	.....	D14/217
D636,372 S *	4/2011	Leung	.....	D14/168
D639,272 S *	6/2011	Chow	.....	D14/209.1

\* cited by examiner

*Primary Examiner* — Stella Reid

*Assistant Examiner* — Keli L Hill

(74) *Attorney, Agent, or Firm* — Plumsea Law Group, LLC

(57) **CLAIM**

The ornamental design for an audio and docking station for a handheld electronic device, as shown and described.

**DESCRIPTION**

FIG. 1 is a perspective view of an audio and docking station for a handheld electronic device showing my new design; FIG. 2 is a front elevational view thereof, shown with lateral flanges;

FIG. 3 is a side elevational view of one side thereof;

FIG. 4 is an opposite side elevational view thereof;

FIG. 5 is a top plan view thereof;

FIG. 6 is a perspective view, like FIG. 1, illustrating the positioning of a handheld electronic device docked thereon;

FIG. 7 is a front elevational view thereof;

FIG. 8 is a side elevational view thereof;

FIG. 9 is a top plan view thereof;

FIG. 10 is a perspective view, like FIG. 1, illustrating the positioning of a larger handheld electronic device docked thereon;

FIG. 11 is a front elevational view thereof;

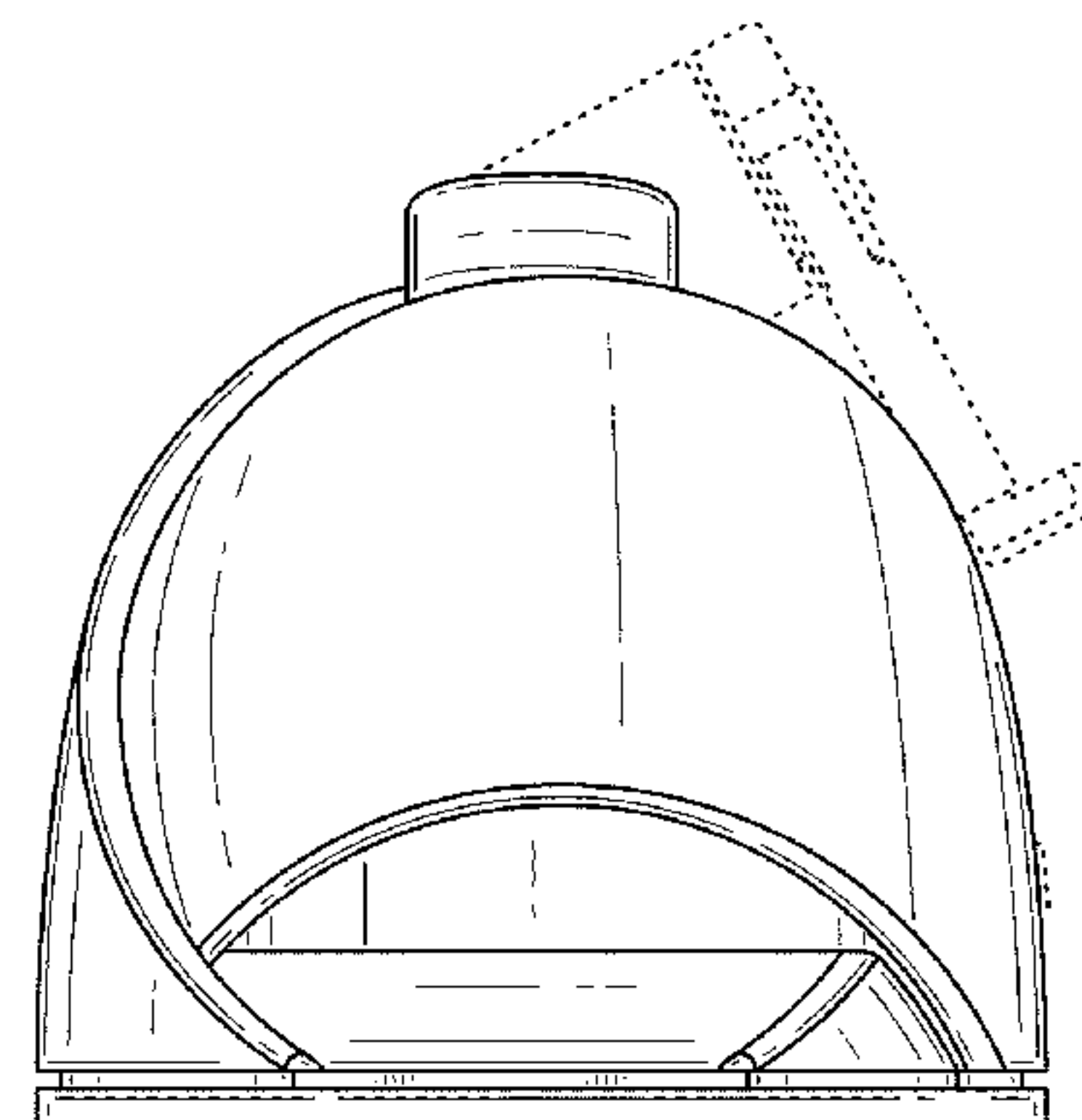
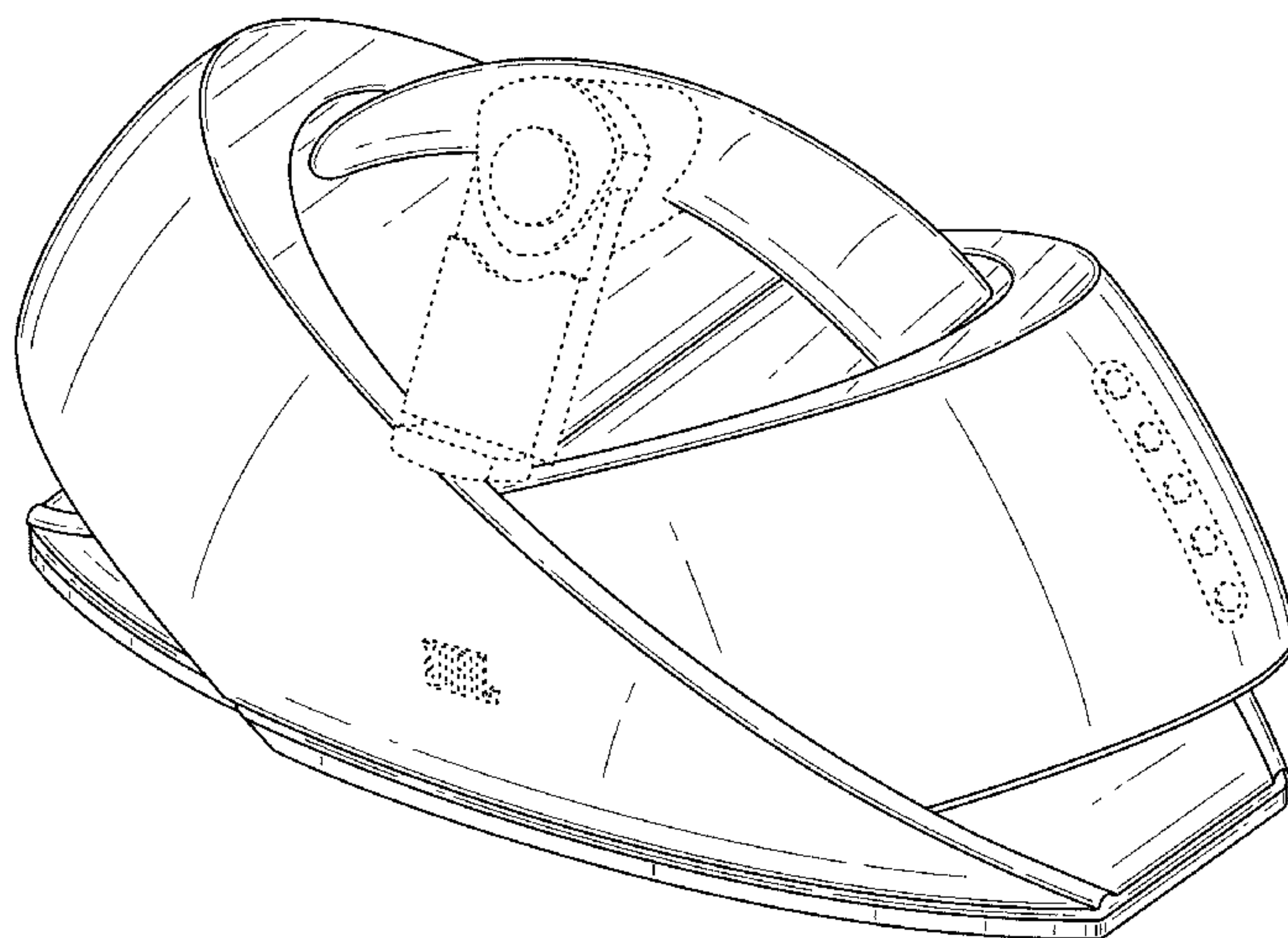
FIG. 12 is a side elevational view thereof;

FIG. 13 is a top plan view thereof; and,

FIG. 14 is a partial, enlarged perspective view of the docking post.

The broken line showing of the docking post, button controls and handheld electronic device are included for the purpose of illustrating unclaimed portions of the article and environment of the article and form no part of the claimed design.

**1 Claim, 9 Drawing Sheets**



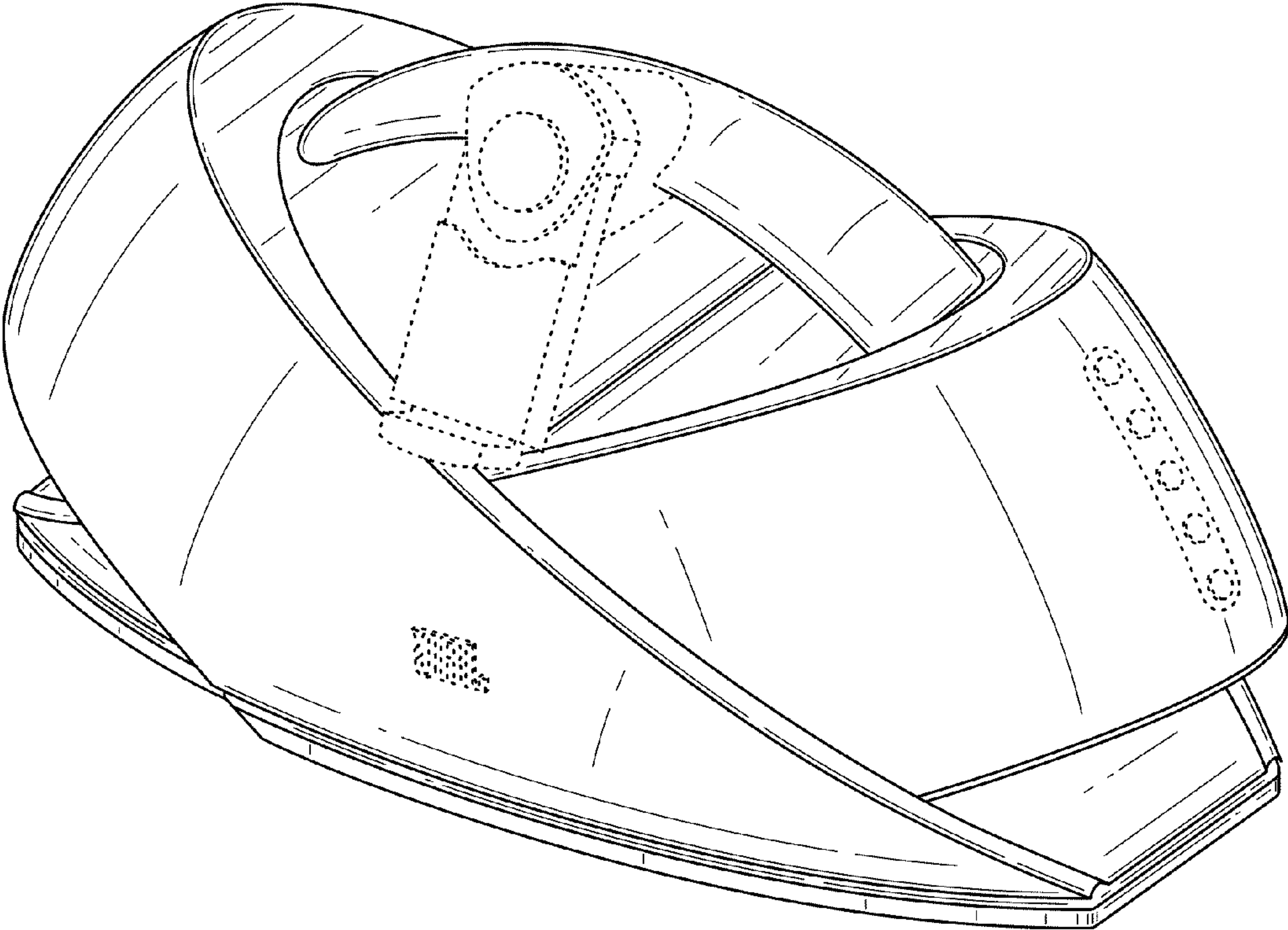


FIG. 1

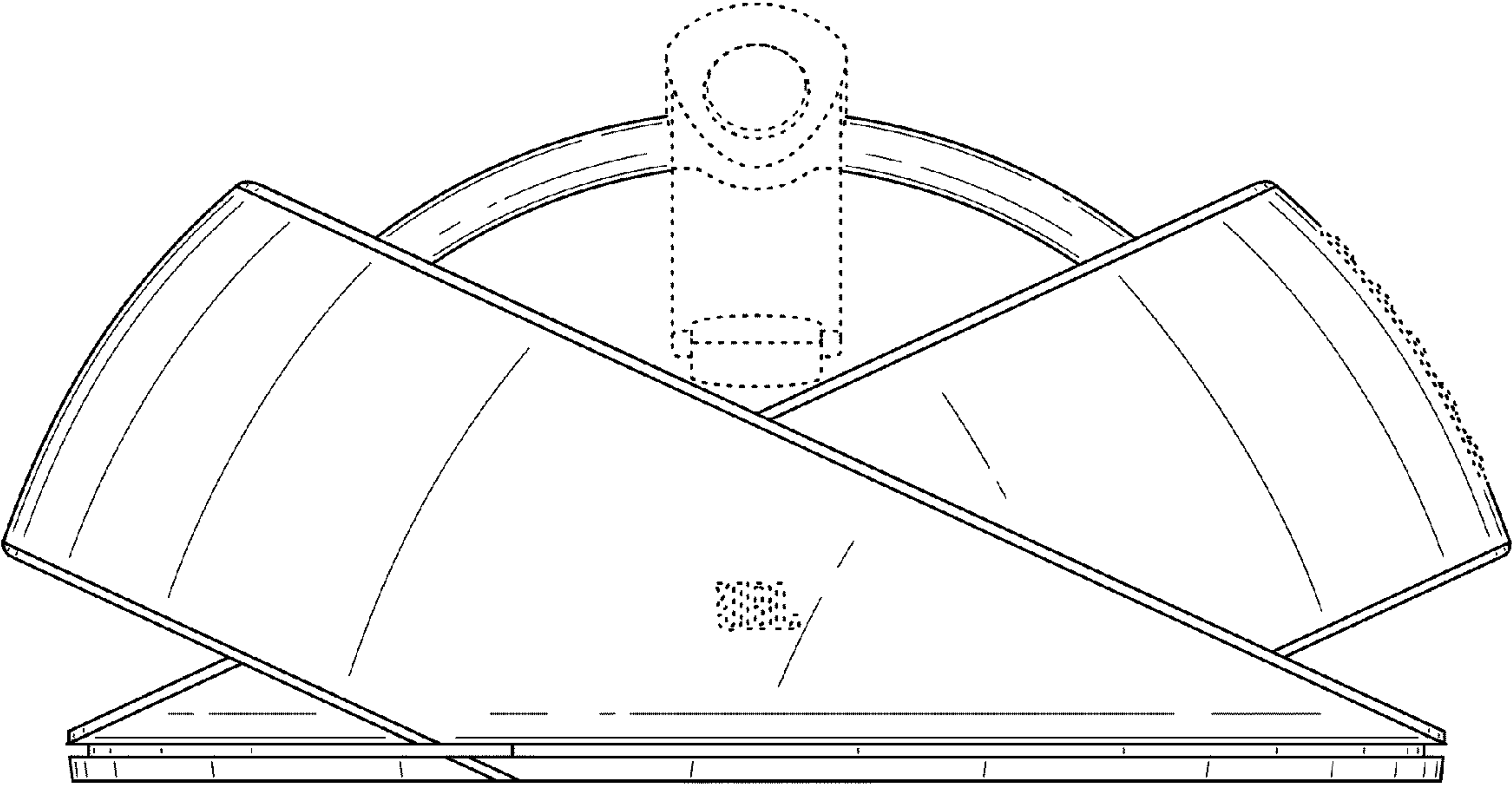


FIG. 2

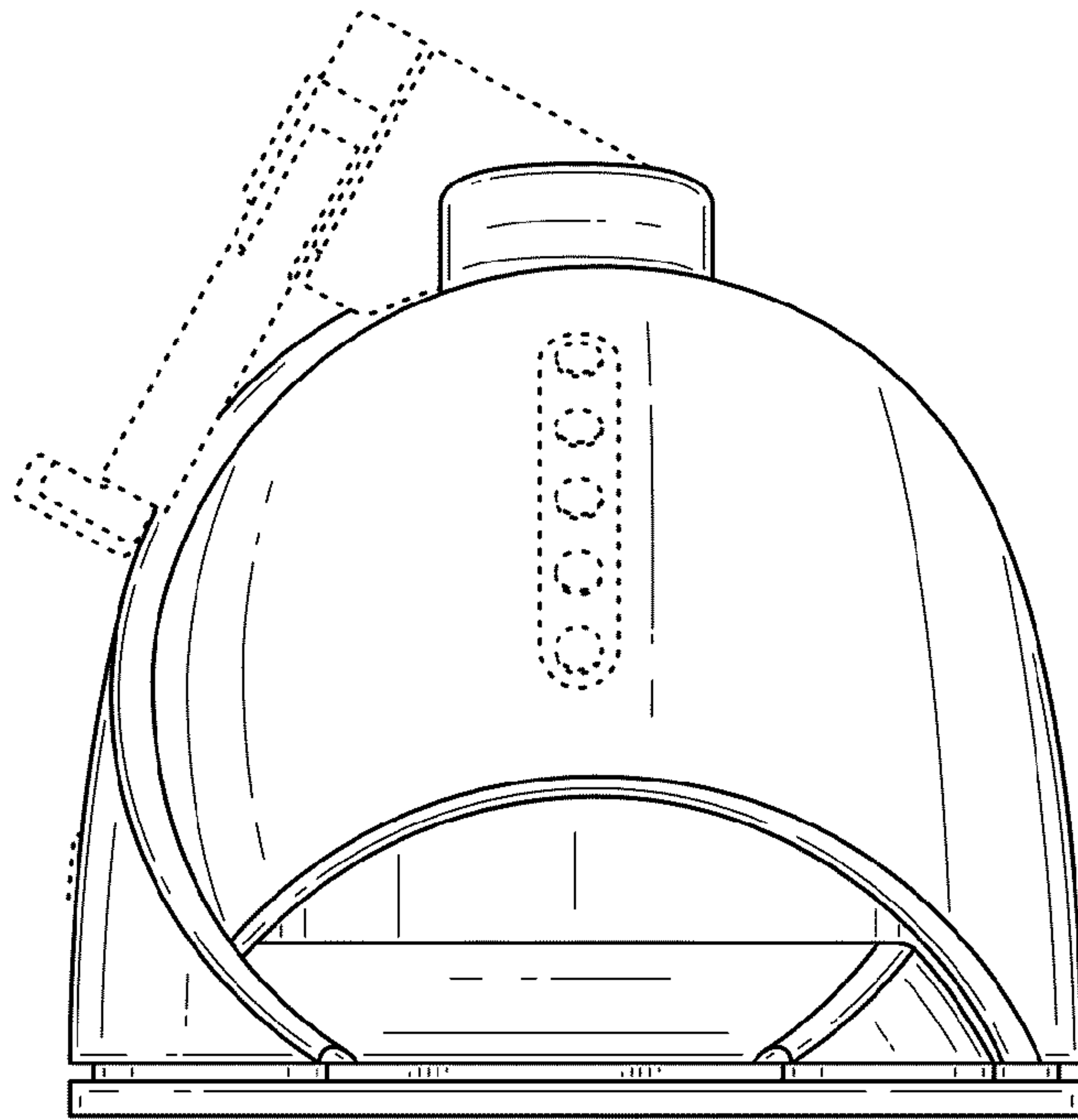


FIG. 3

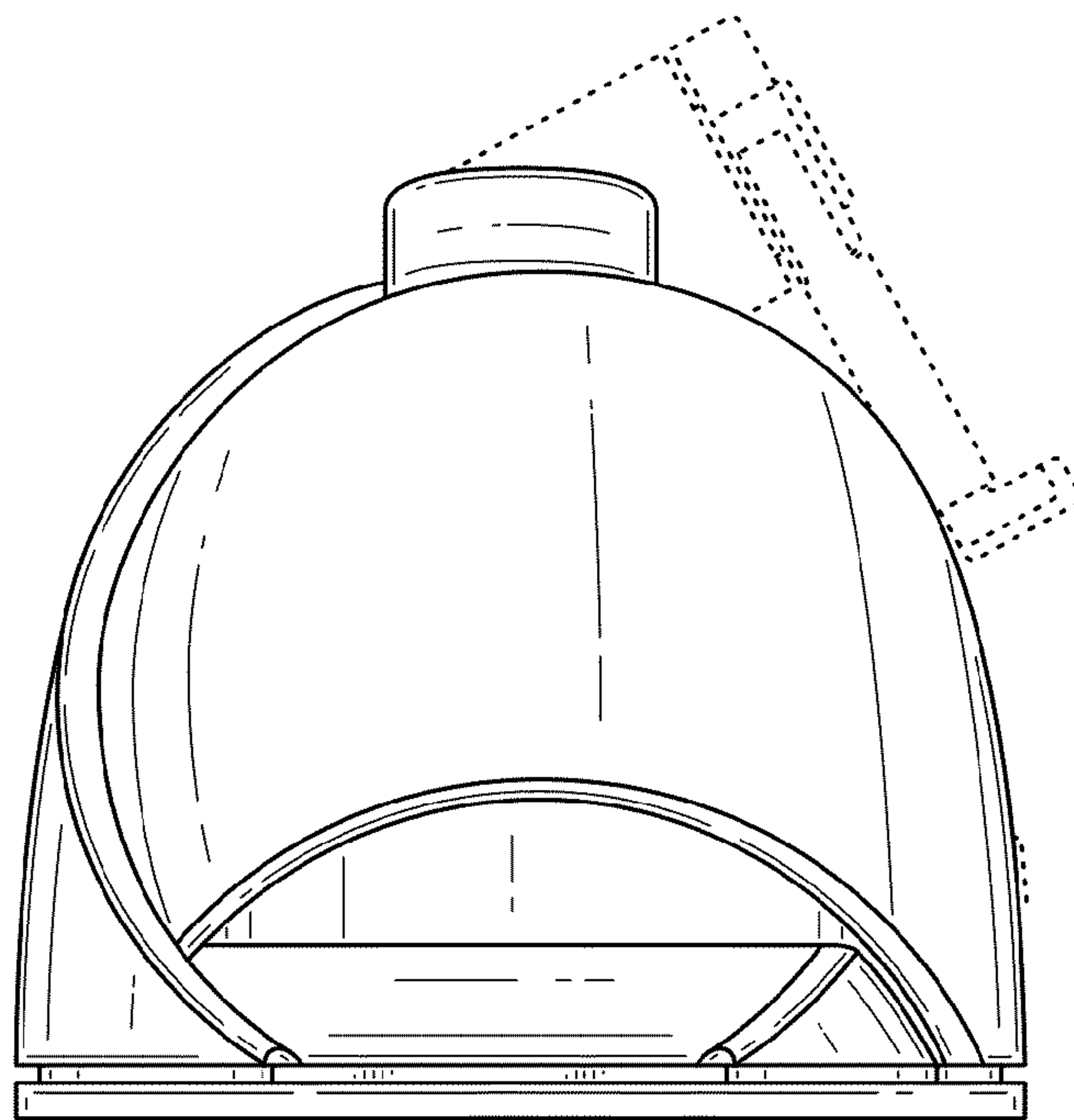


FIG. 4



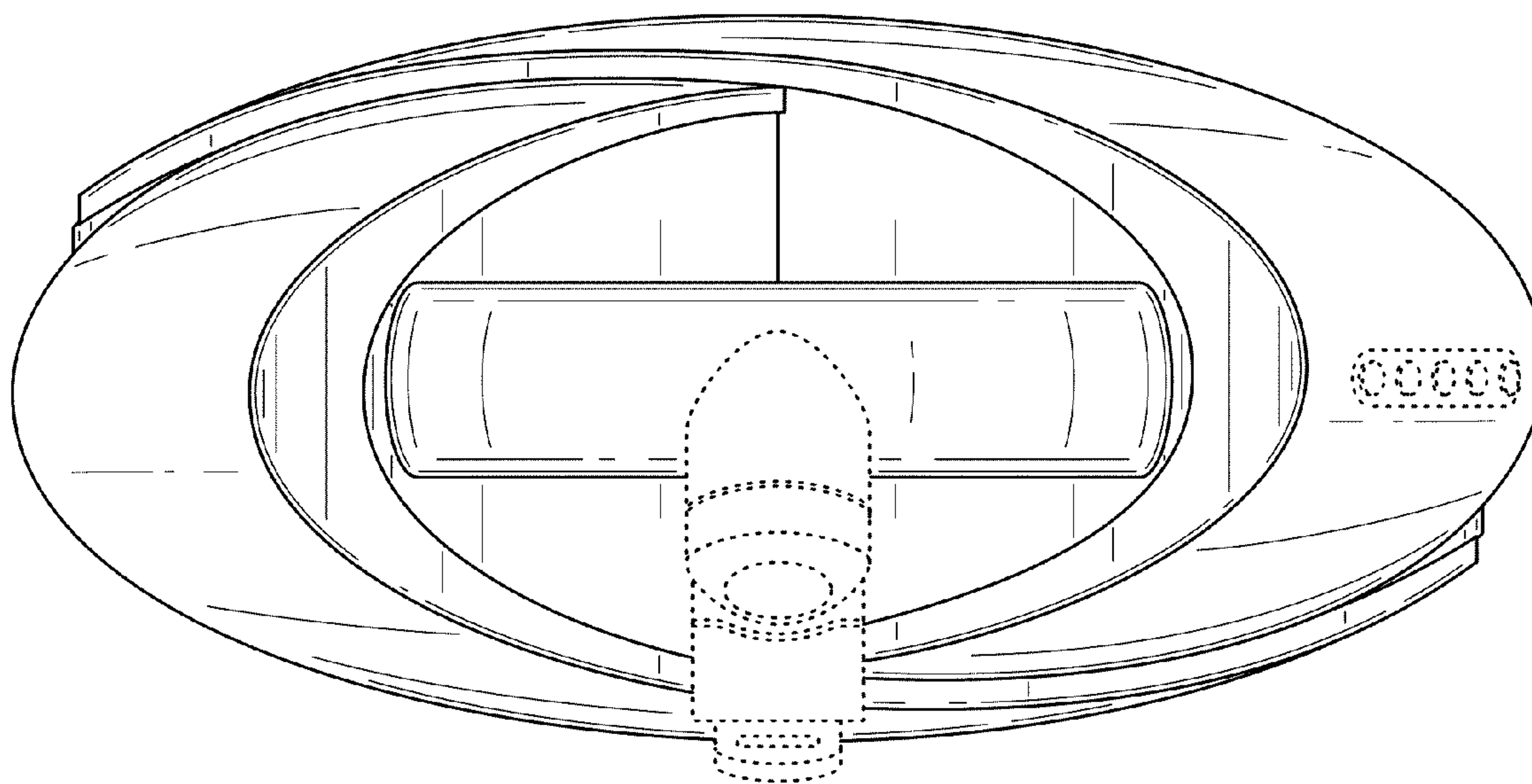


FIG. 5

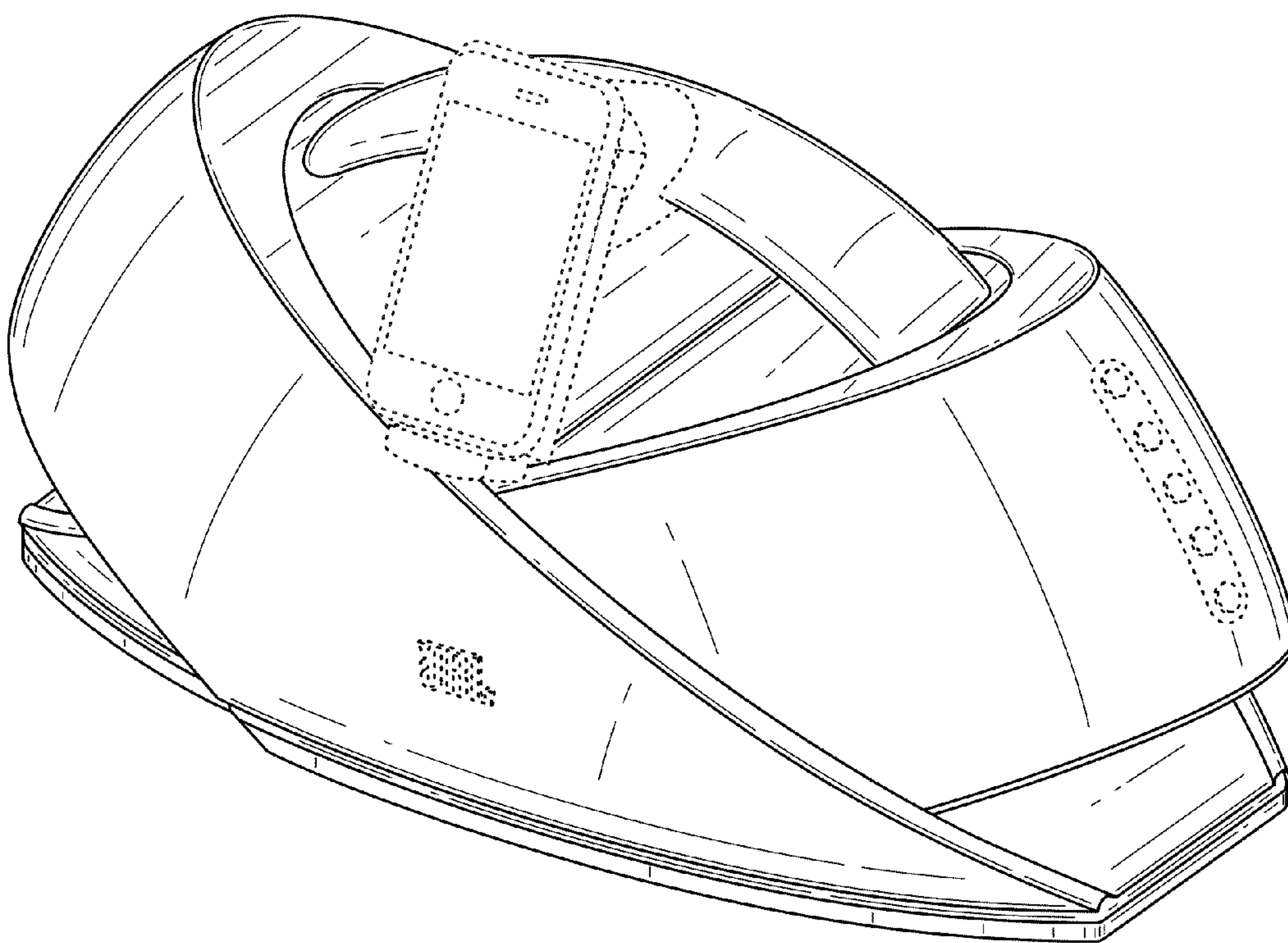


FIG. 6

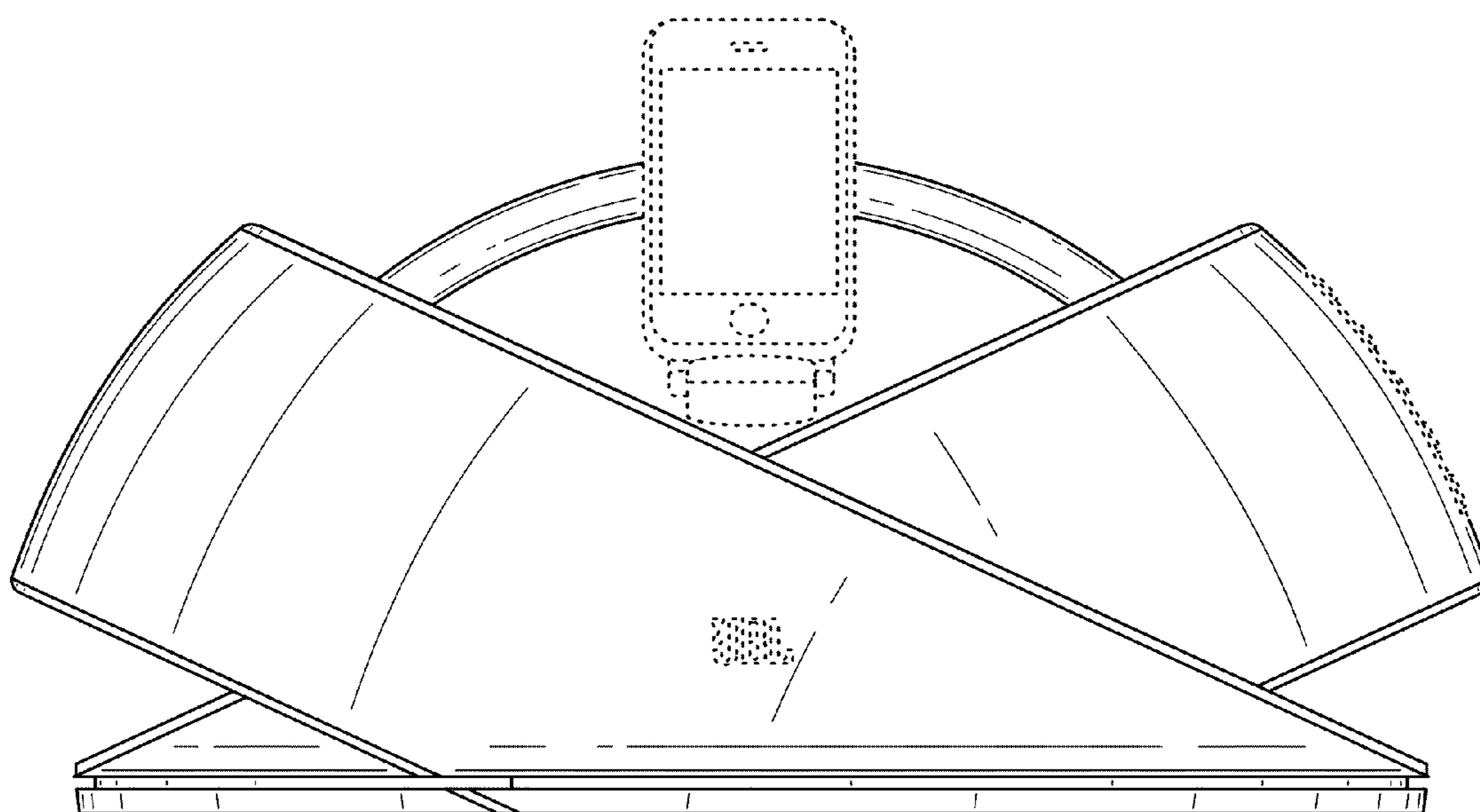


FIG. 7

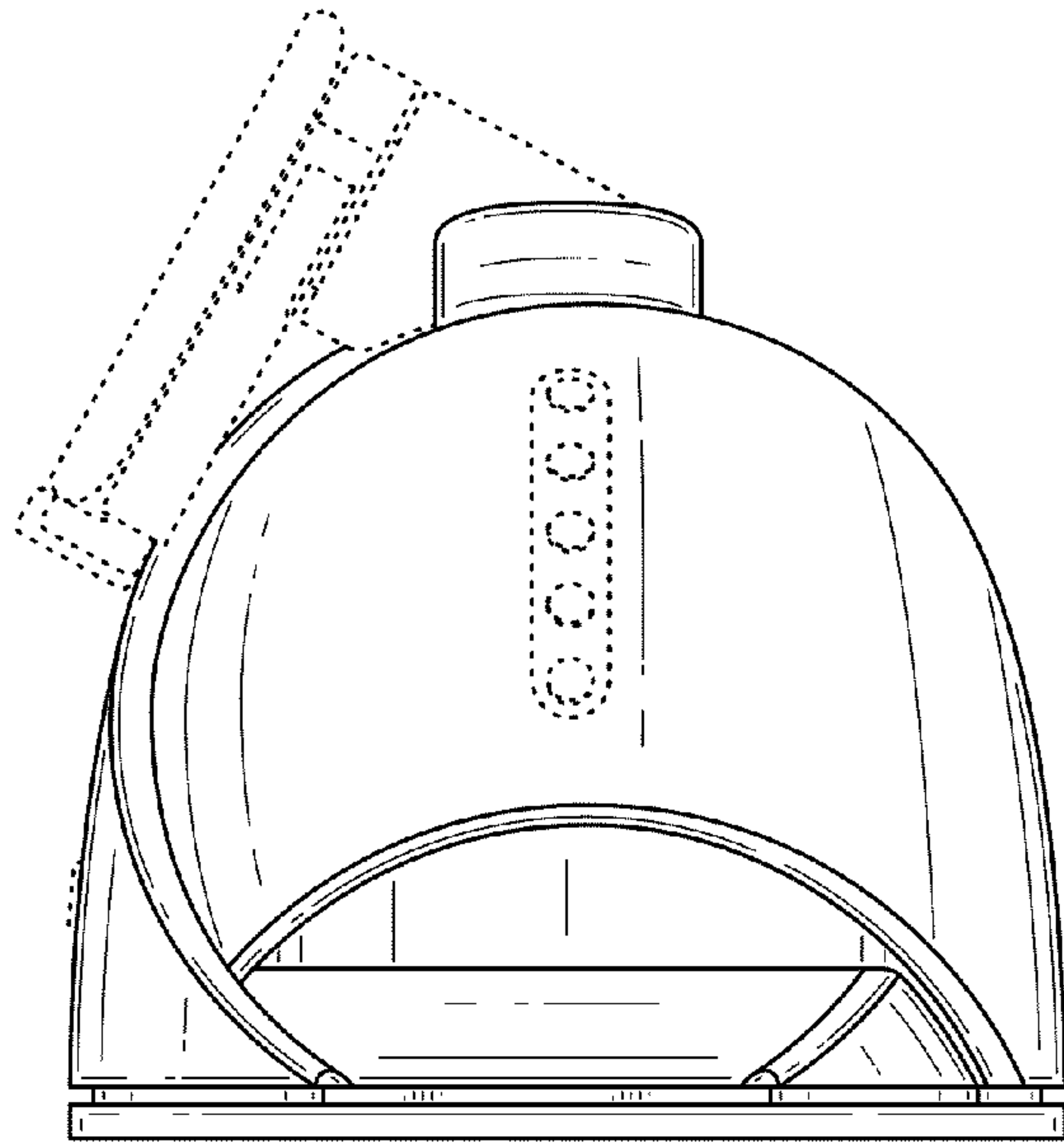


FIG. 8

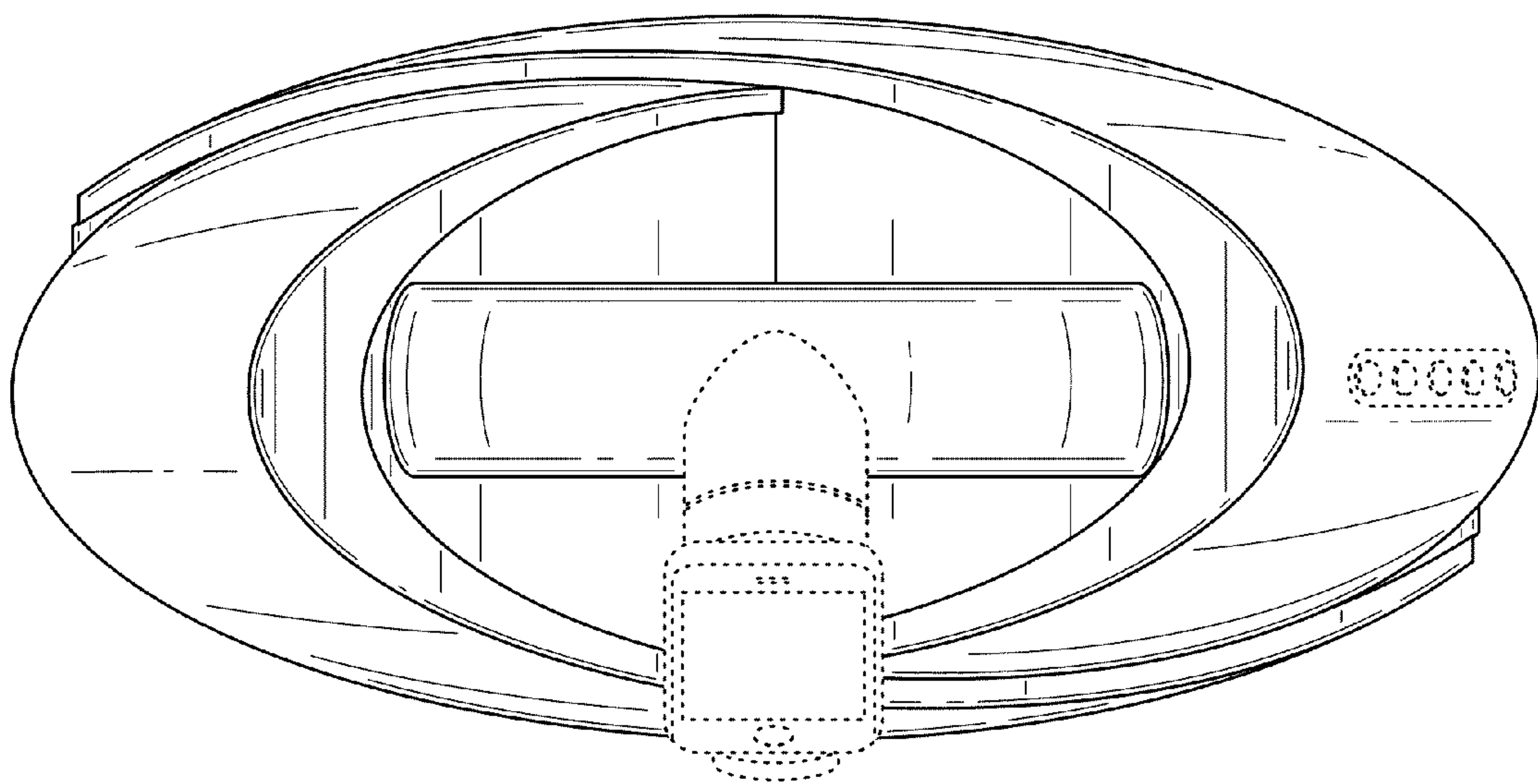


FIG. 9

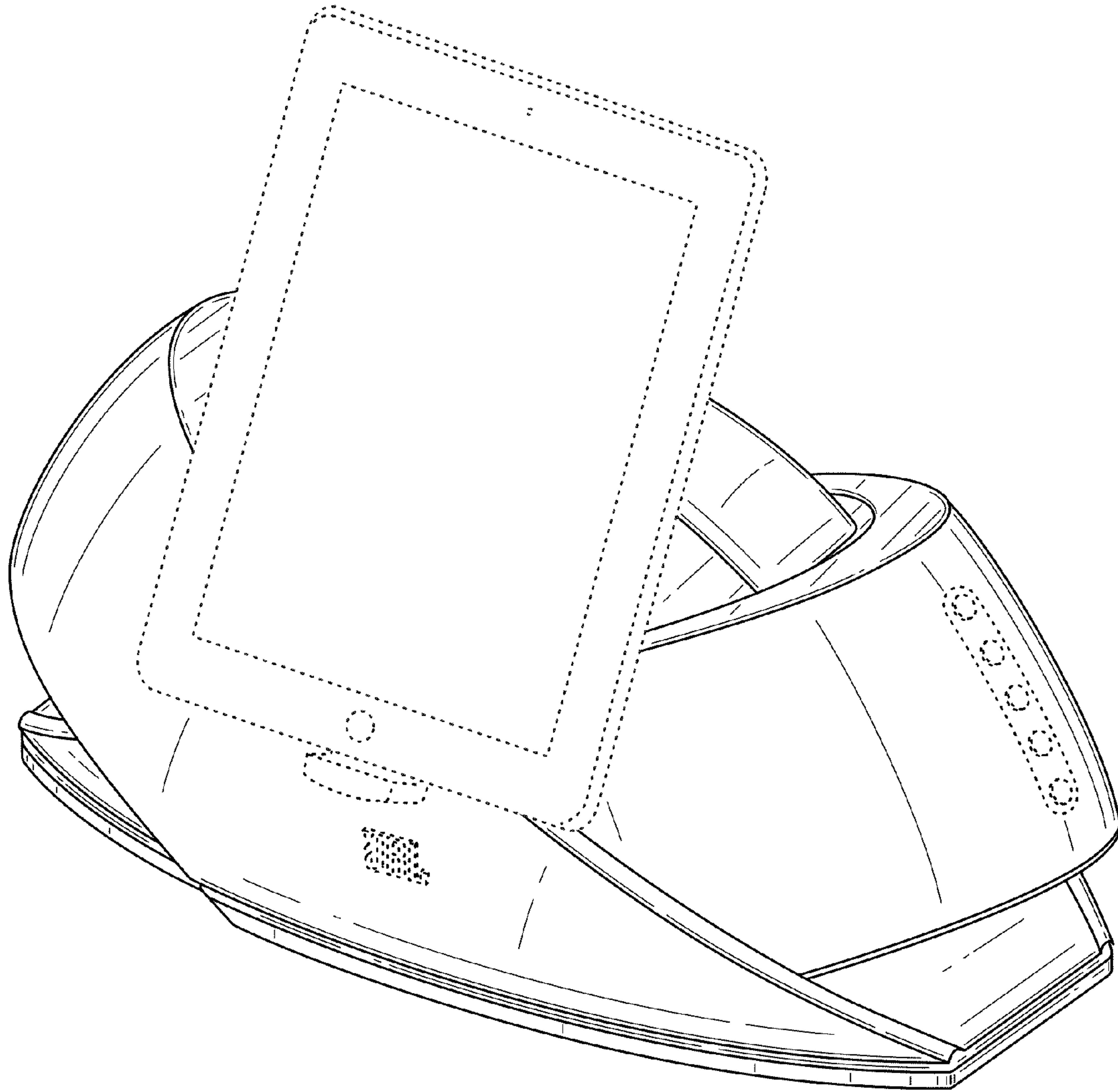


FIG. 10

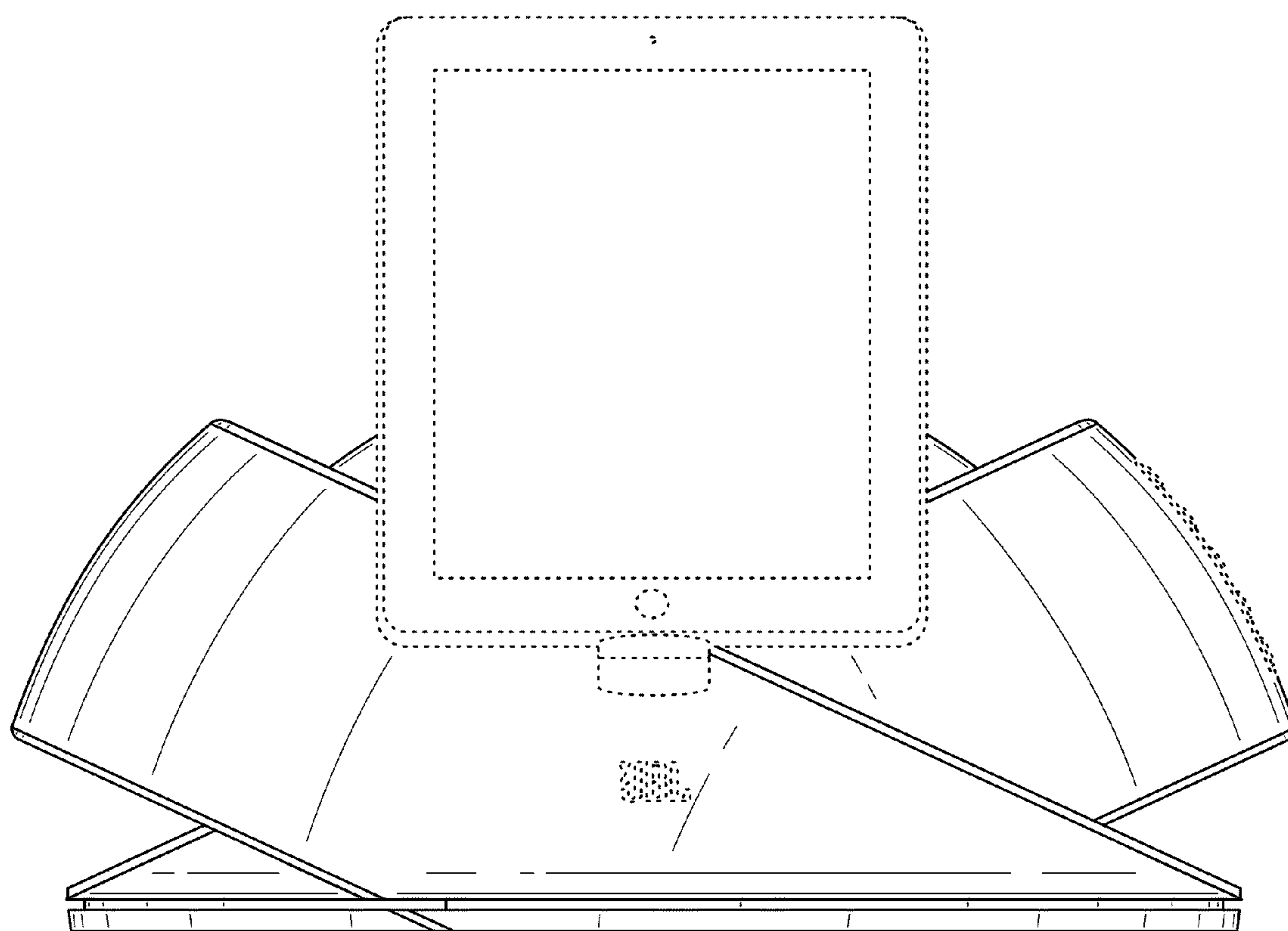


FIG. 11



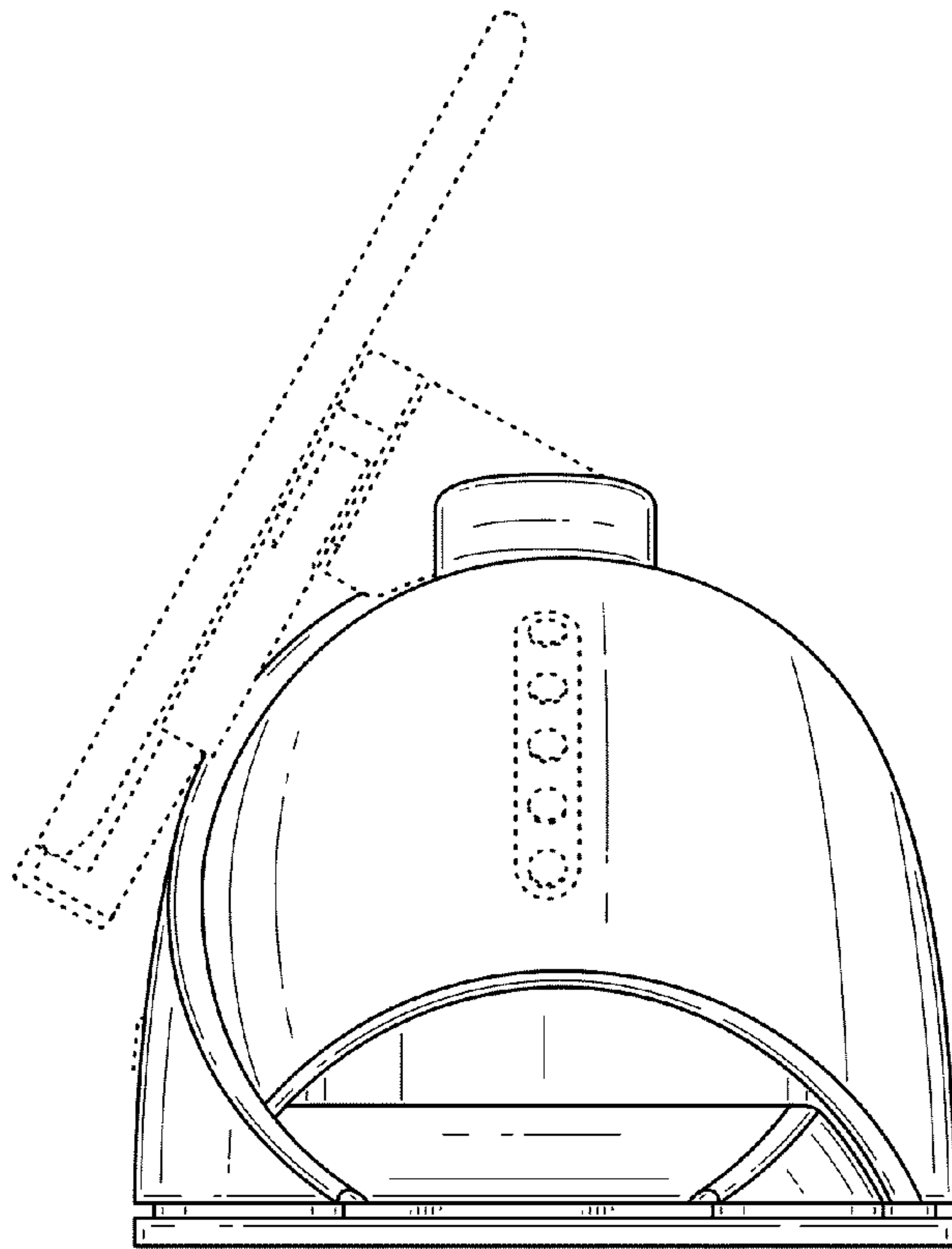


FIG. 12

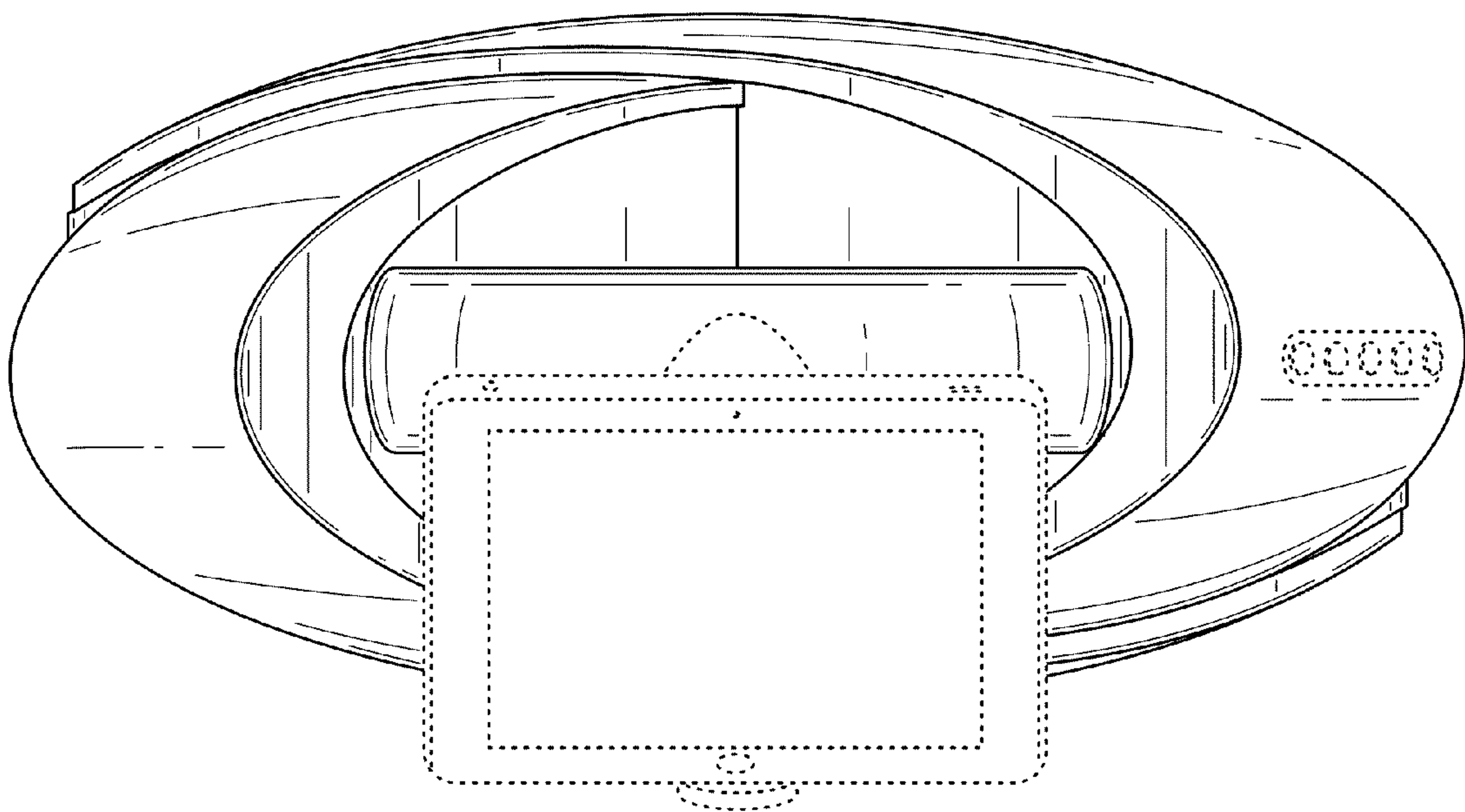


FIG. 13

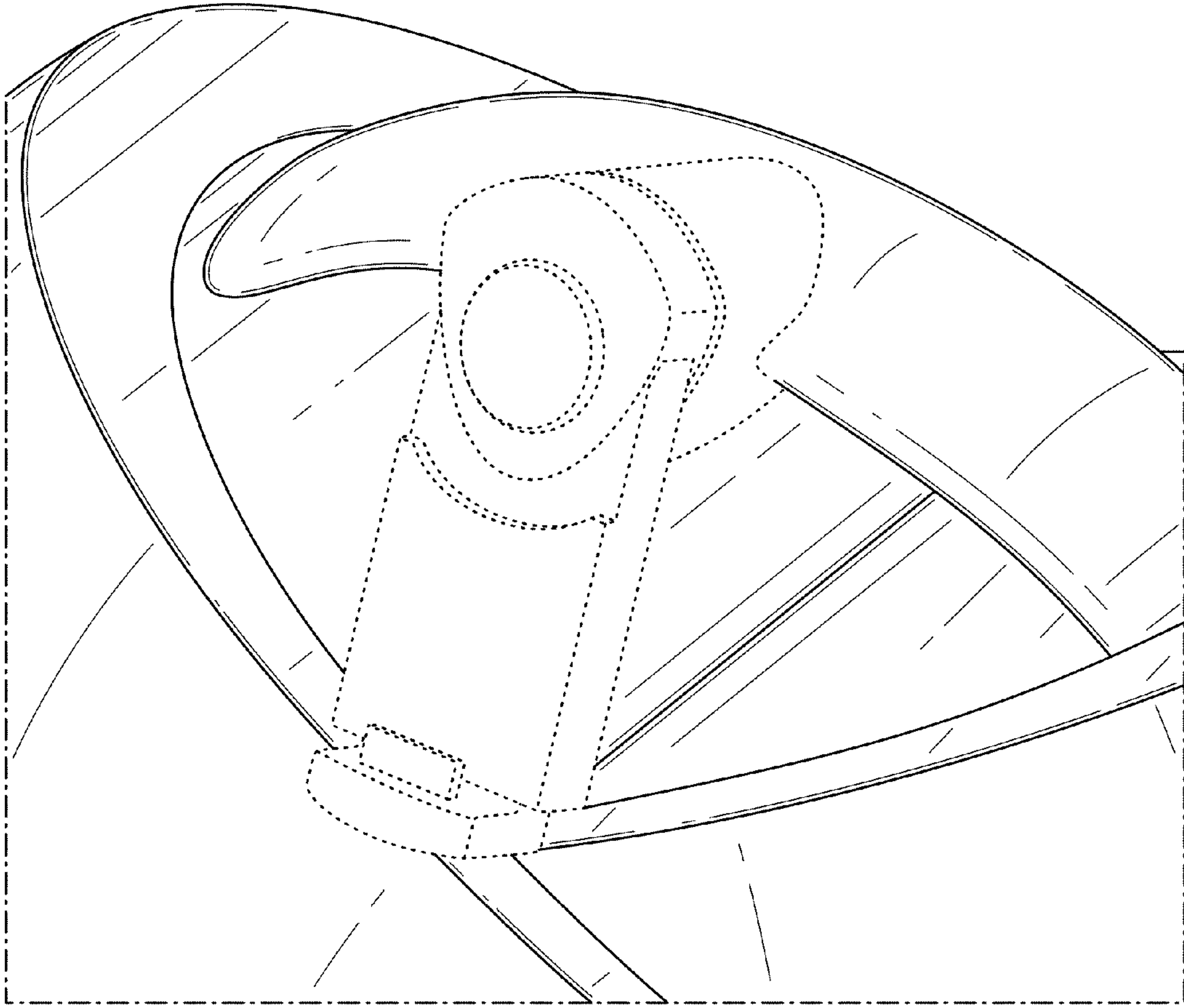


FIG. 14

UNITED STATES PATENT AND TRADEMARK OFFICE  
**CERTIFICATE OF CORRECTION**

PATENT NO. : D650,363 S  
APPLICATION NO. : 29/369174  
DATED : December 13, 2011  
INVENTOR(S) : Kurt Solland

Page 1 of 1

It is certified that error appears in the above-identified patent and that said Letters Patent is hereby corrected as shown below:

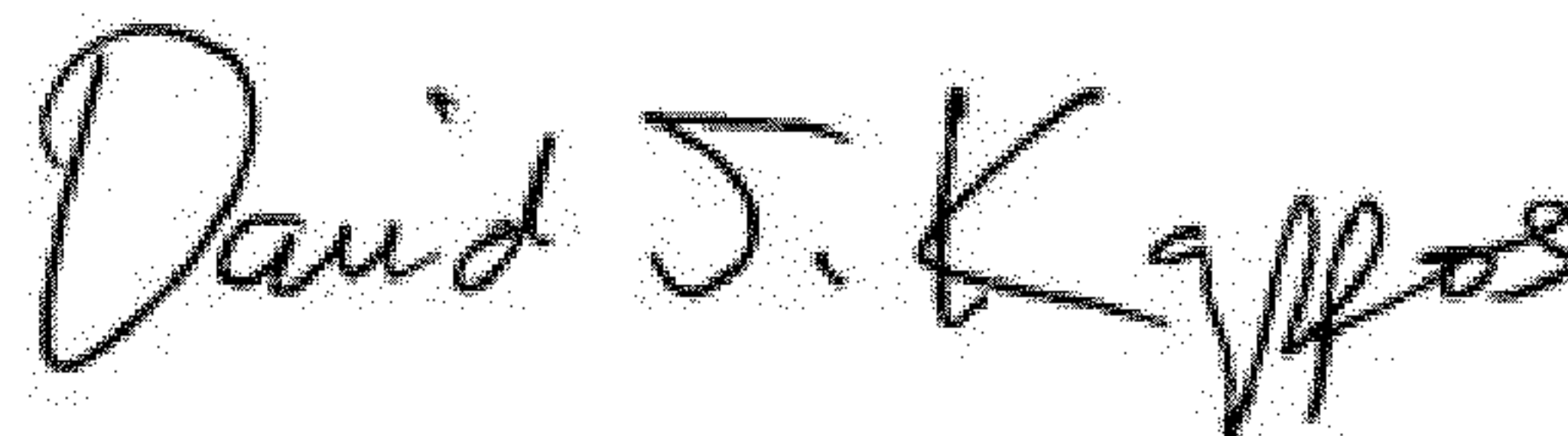
On the Title Page,

In the DESCRIPTION:

Line 3, delete “shown with lateral”

Line 4, delete “flanges.”

Signed and Sealed this  
Tenth Day of July, 2012

A handwritten signature in black ink that reads "David J. Kappos". The signature is written in a cursive, slightly slanted style.

David J. Kappos  
*Director of the United States Patent and Trademark Office*