



US00D650362S

(12) **United States Design Patent**
Solland

(10) **Patent No.:** **US D650,362 S**
(45) **Date of Patent:** **** Dec. 13, 2011**

(54) **AUDIO AND DOCKING STATION FOR
HANDHELD ELECTRONIC DEVICE**

(75) Inventor: **Kurt Solland**, Westlake Village, CA
(US)

(73) Assignee: **Harman International Industries,
Incorporated**, Northridge, CA (US)

(**) Term: **14 Years**

(21) Appl. No.: **29/369,172**

(22) Filed: **Sep. 2, 2010**

(51) **LOC (9) Cl.** **09-01**

(52) **U.S. Cl.** **D14/217**

(58) **Field of Classification Search** D14/140,
D14/142, 149, 155, 157, 188, 191-193, 203.1-203.8,
D14/217, 240, 243, 251, 253, 432-435.1,
D14/447, 451, 496, 474, 480.1-480.7; D13/107,
D13/118; D3/218; 248/221.11, 309.1; 320/107,
320/110, 113-115; 361/600; 439/529, 534;
455/556.1-556.2, 557

See application file for complete search history.

(56) **References Cited**

U.S. PATENT DOCUMENTS

D399,842 S	*	10/1998	Matsuda et al.	D14/150
D519,975 S	*	5/2006	Skulley et al.	D13/108
D523,412 S	*	6/2006	Ham	D13/108
D538,267 S	*	3/2007	Christianson et al.	D14/216
D554,108 S	*	10/2007	Solland	D14/217
D606,044 S	*	12/2009	Lee	D14/217

D611,033 S	*	3/2010	Ferber et al.	D14/209.1
D611,931 S	*	3/2010	Lee	D14/217
D636,372 S	*	4/2011	Leung	D14/168
D639,272 S	*	6/2011	Chow	D14/209.1

* cited by examiner

Primary Examiner — Stella Reid

Assistant Examiner — Keli L Hill

(74) *Attorney, Agent, or Firm* — Plumsea Law Group, LLC

(57) **CLAIM**

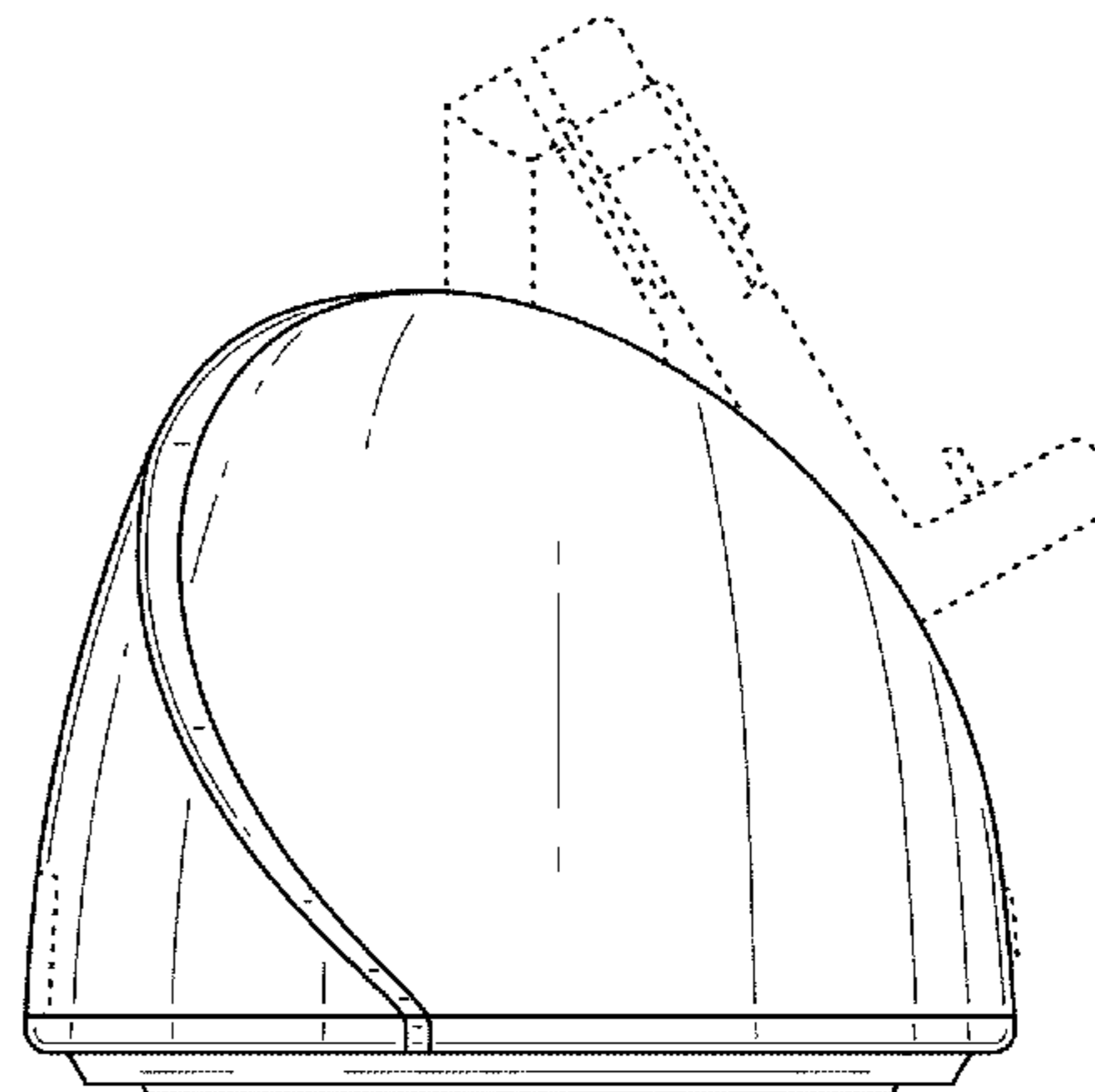
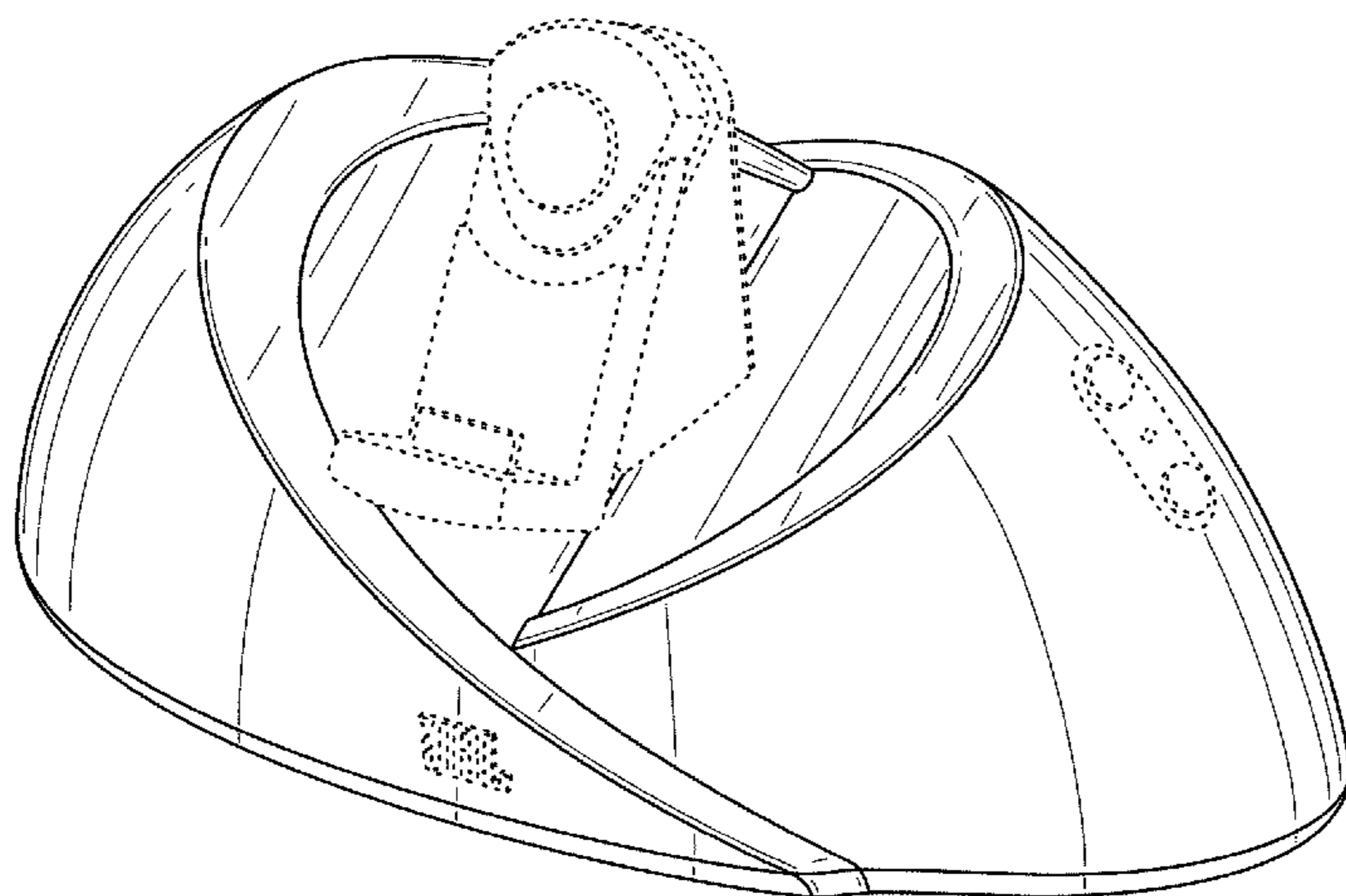
The ornamental design for an audio and docking station for a handheld electronic device, as shown and described.

DESCRIPTION

FIG. 1 is a perspective view of an audio and docking station for a handheld electronic device showing my new design; FIG. 2 is a front elevational view thereof; FIG. 3 is a side elevational view of one side thereof; FIG. 4 is an opposite side elevational view thereof; FIG. 5 is a top plan view thereof; FIG. 6 is a perspective view illustrating the positioning of a handheld electronic device docked thereon; FIG. 7 is a front elevational view thereof; FIG. 8 is a side elevational view thereof; FIG. 9 is a top plan view thereof; and, FIG. 10 is a partial, enlarged perspective view of the docking post.

The broken line showing of the docking post, button controls and handheld electronic device are included for the purpose of illustrating unclaimed portions of the article and environment of the article and forms no part of the claimed design.

1 Claim, 5 Drawing Sheets



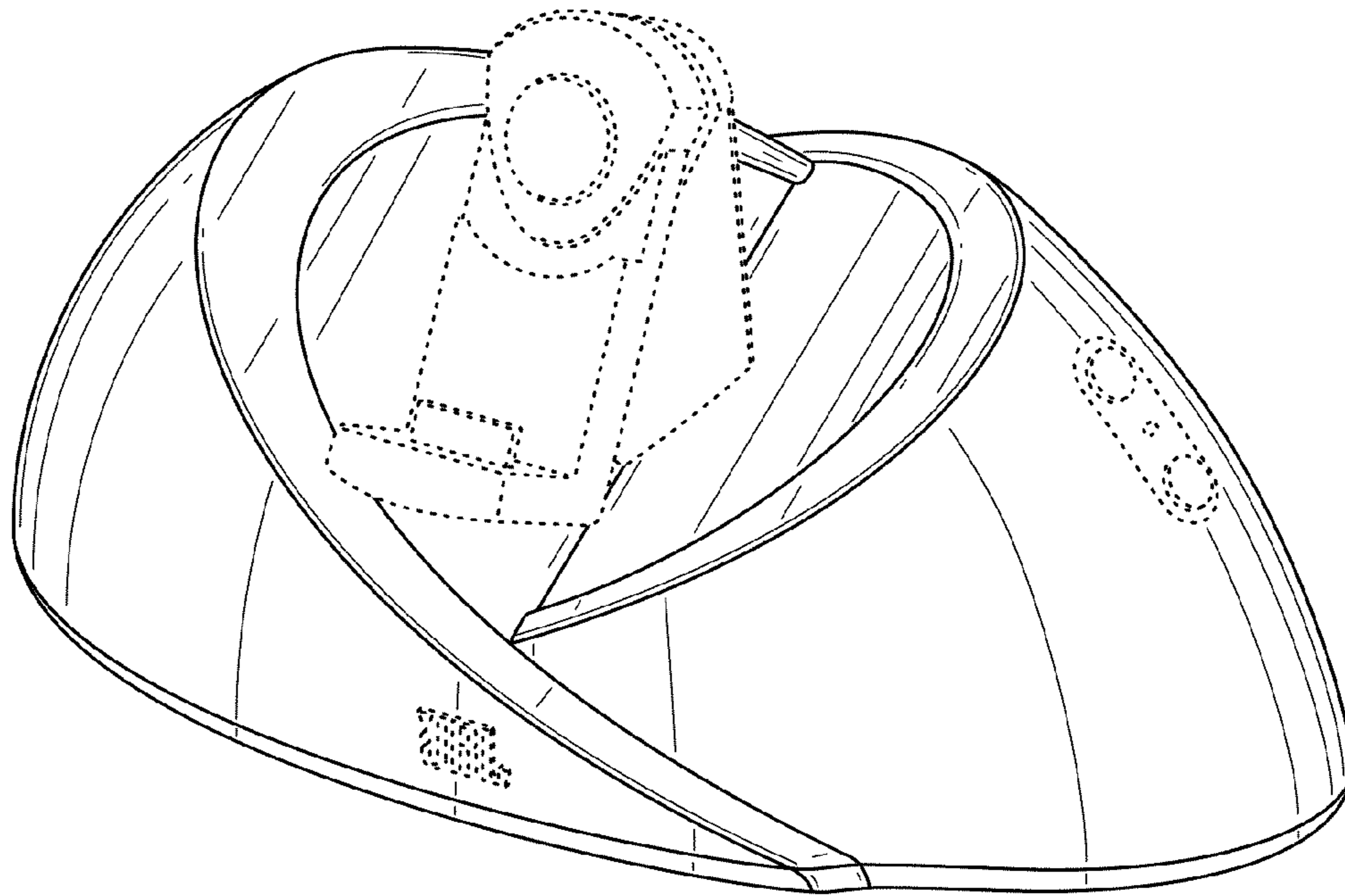


FIG. 1

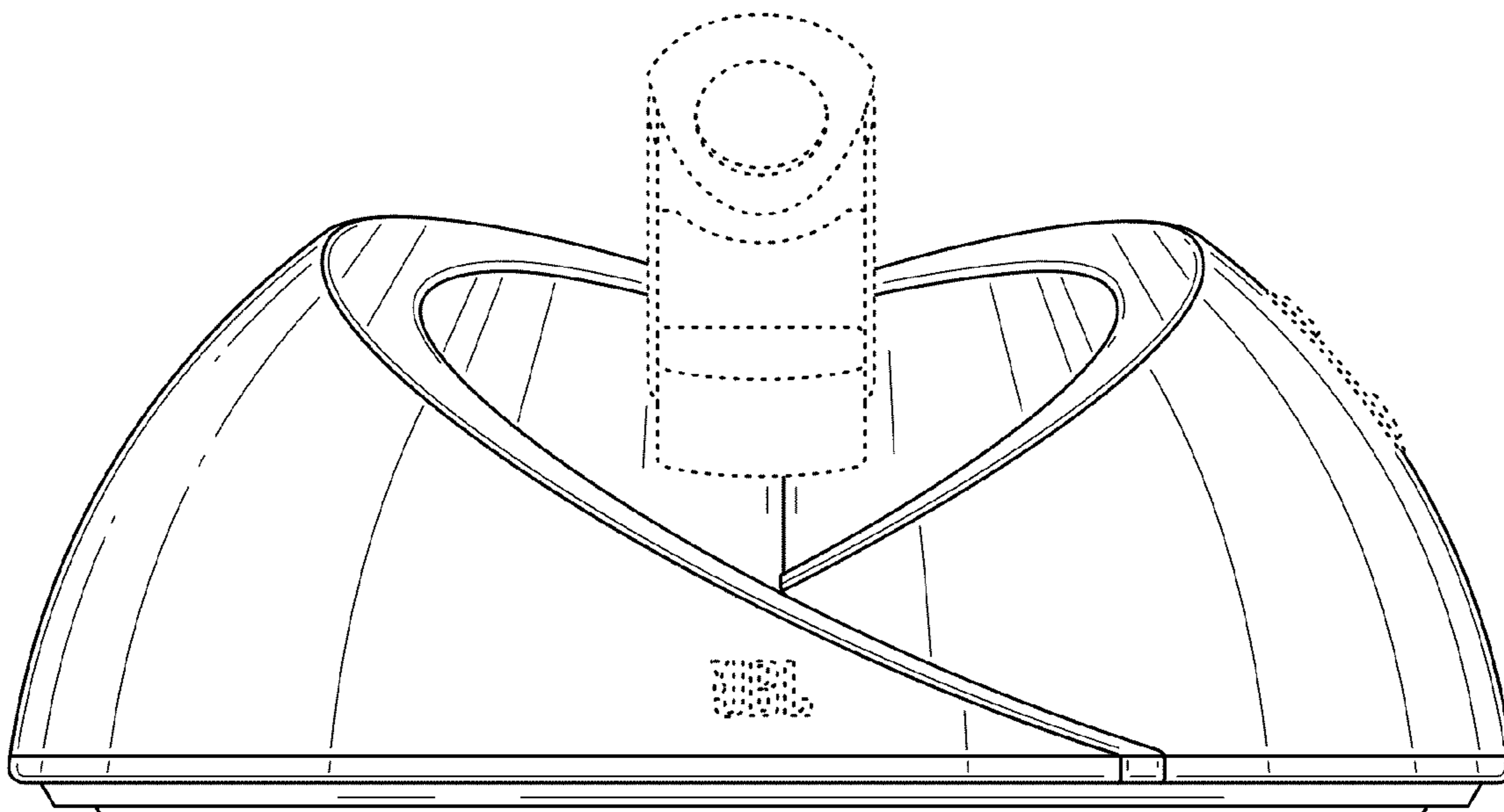


FIG. 2

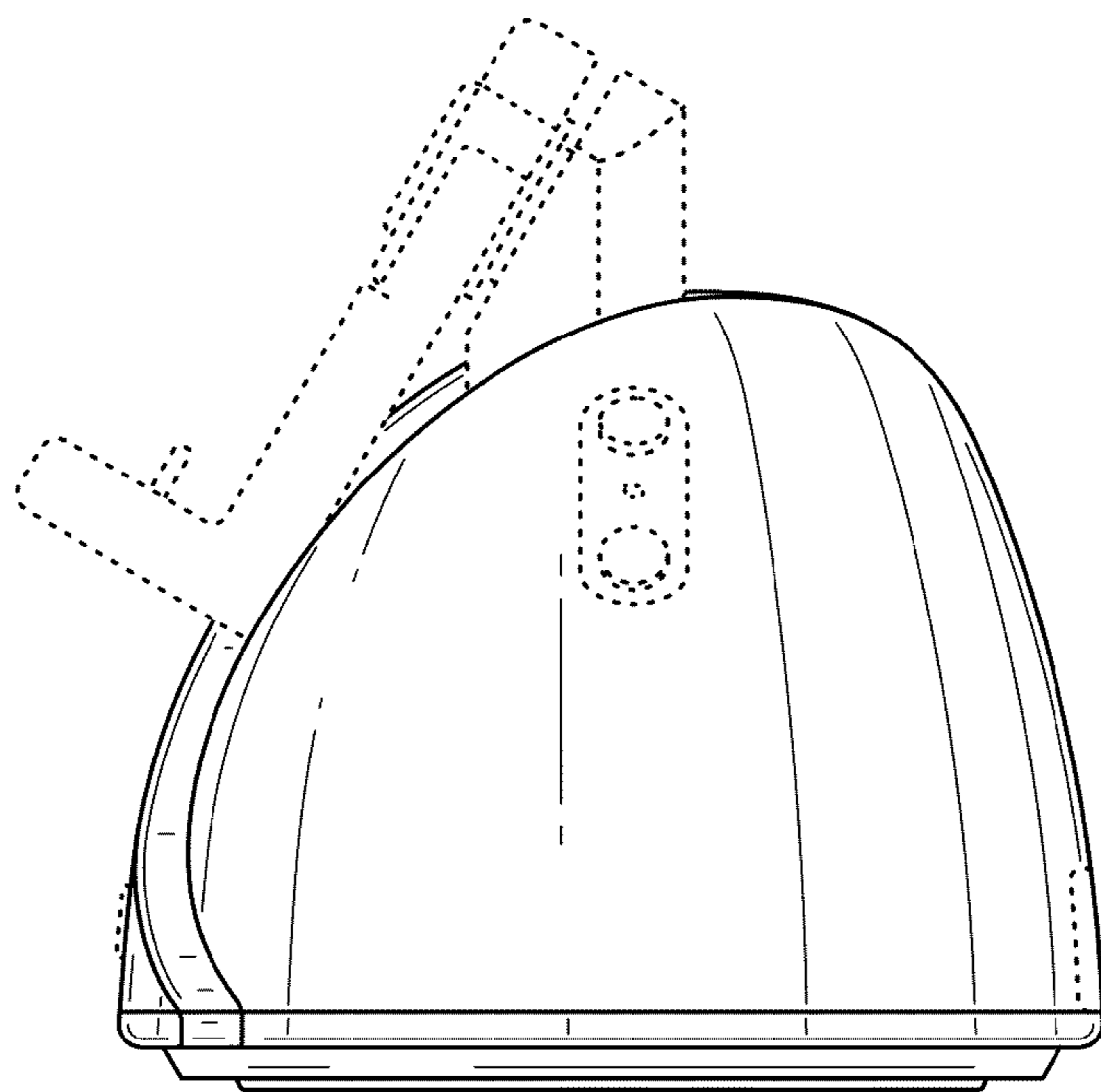


FIG. 3

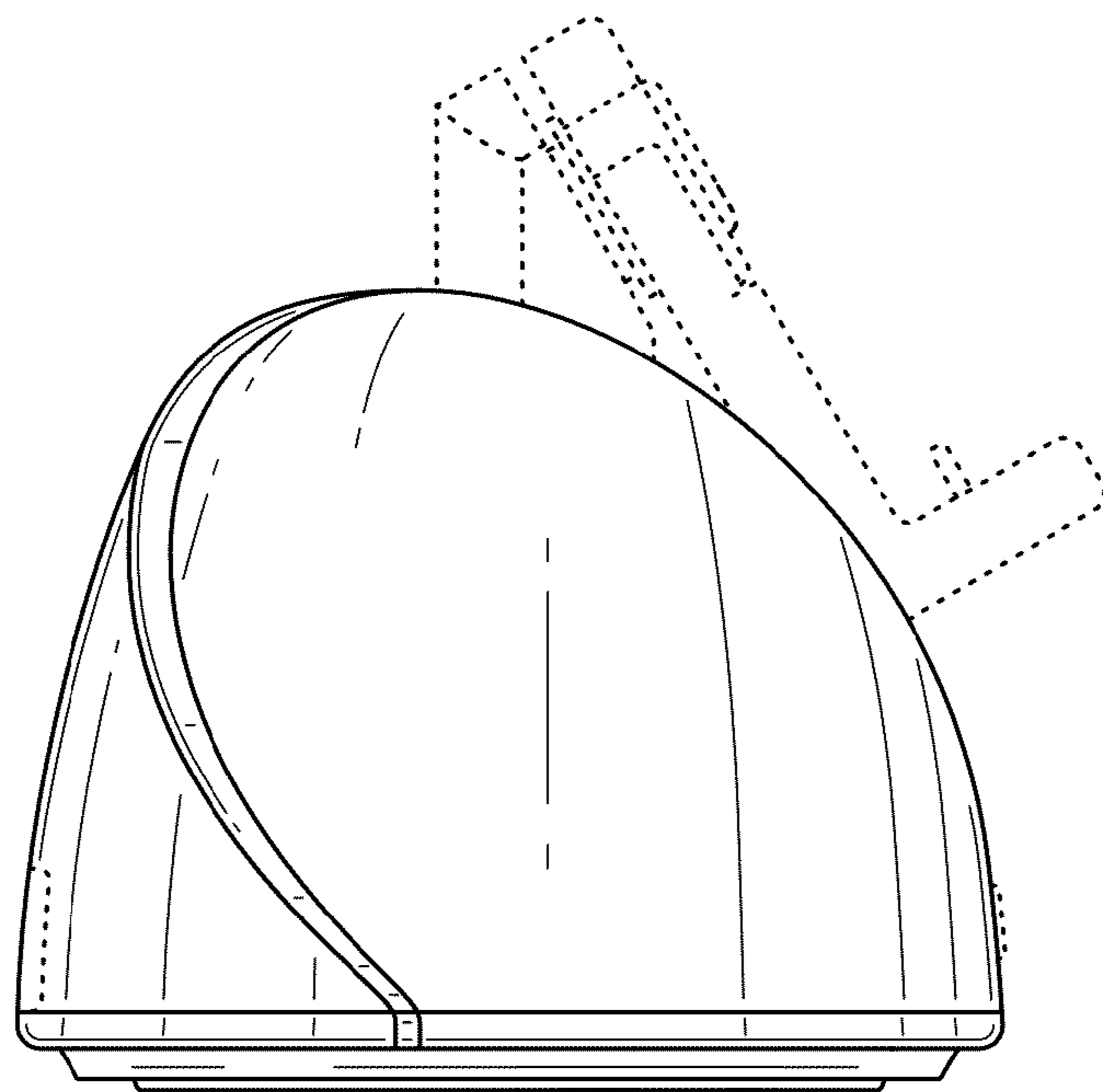


FIG. 4

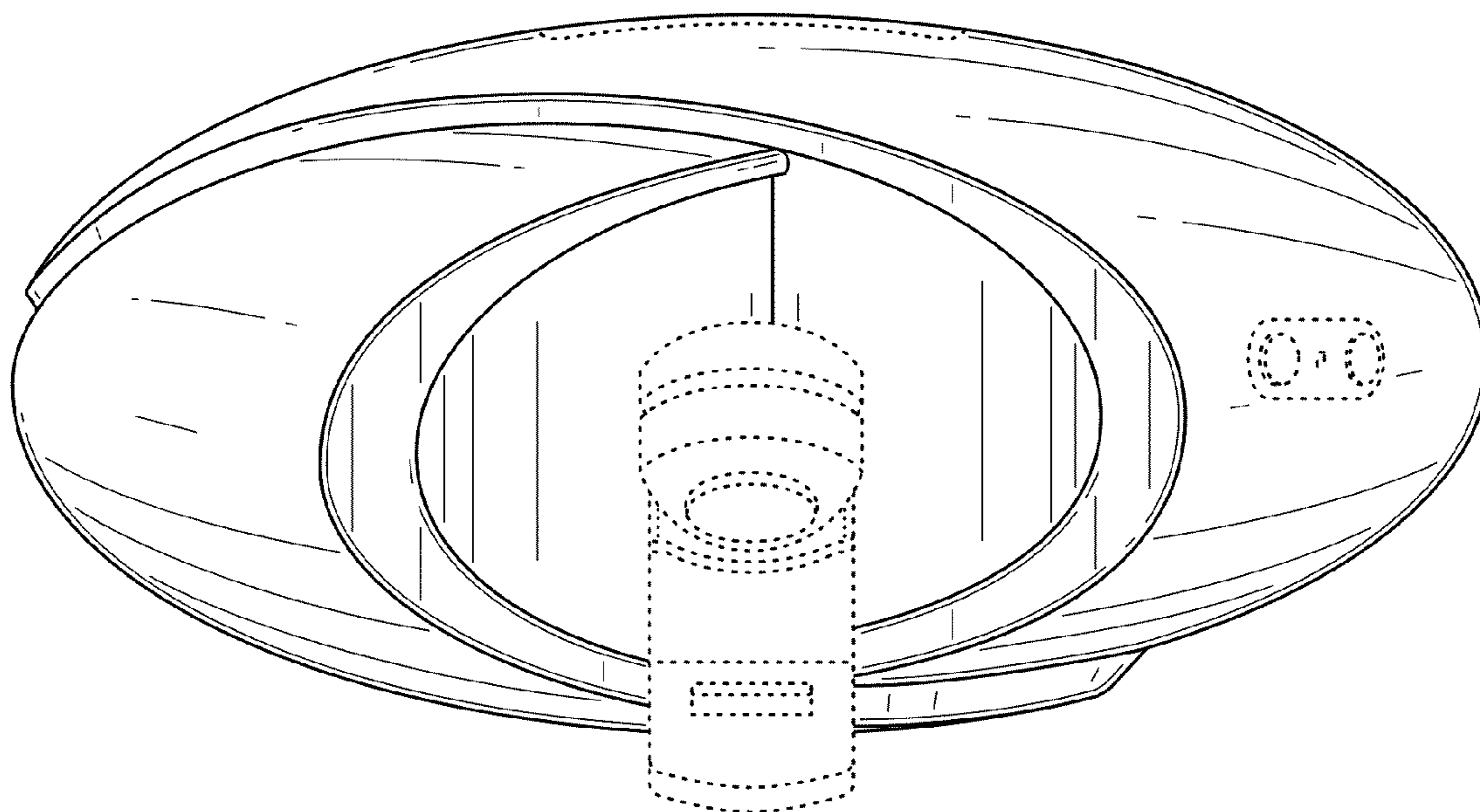


FIG. 5

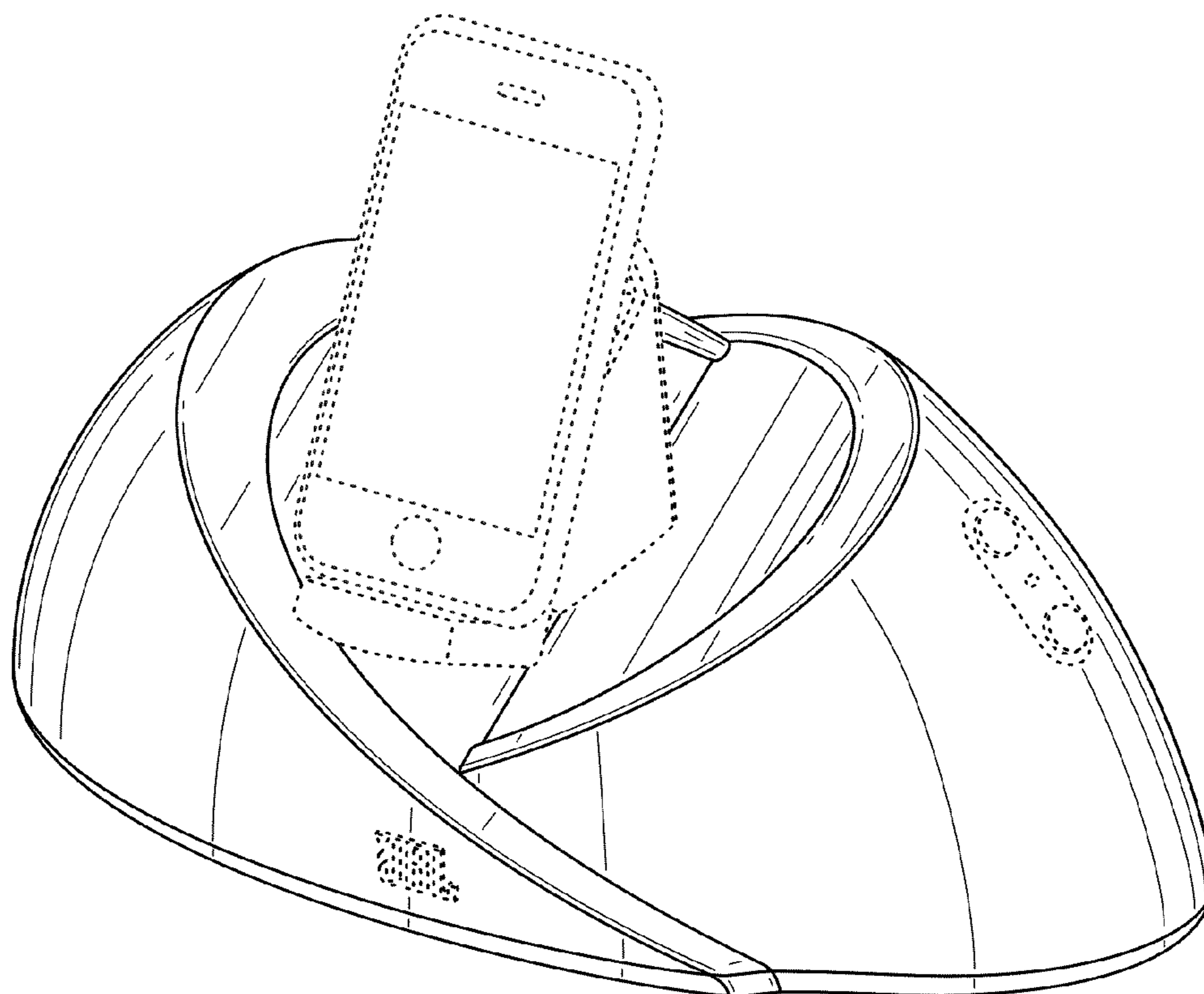


FIG. 6

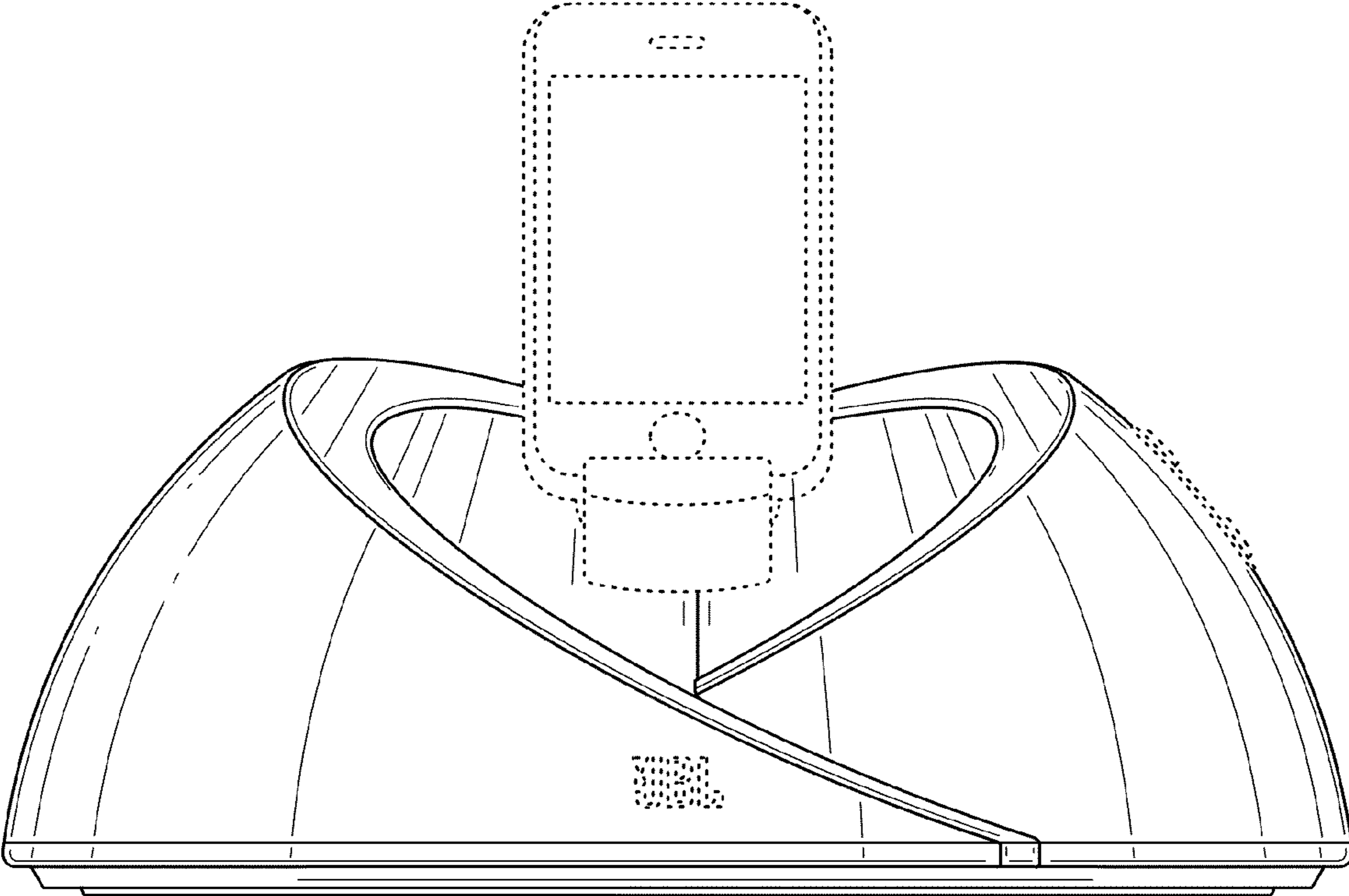


FIG. 7

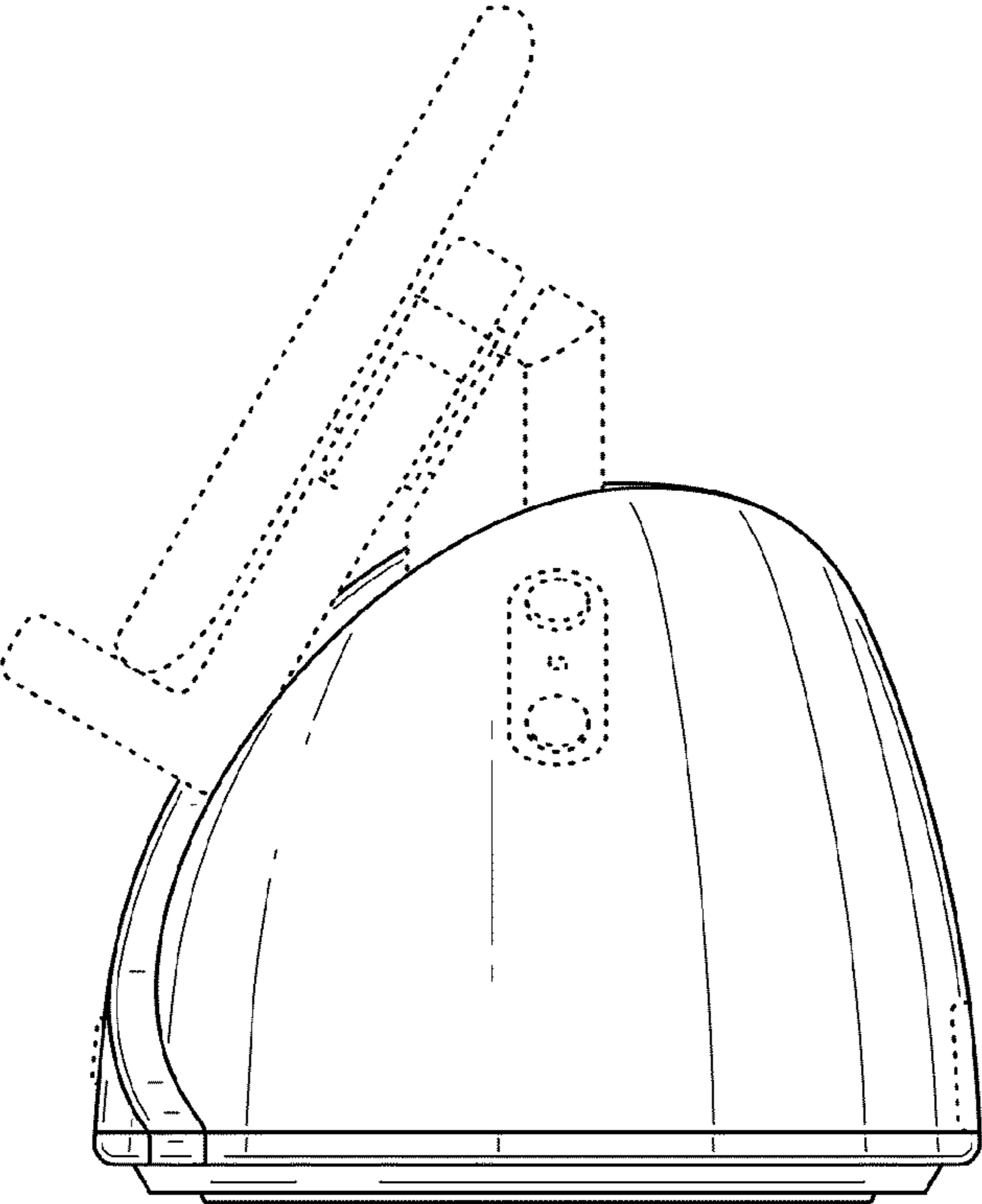


FIG. 8

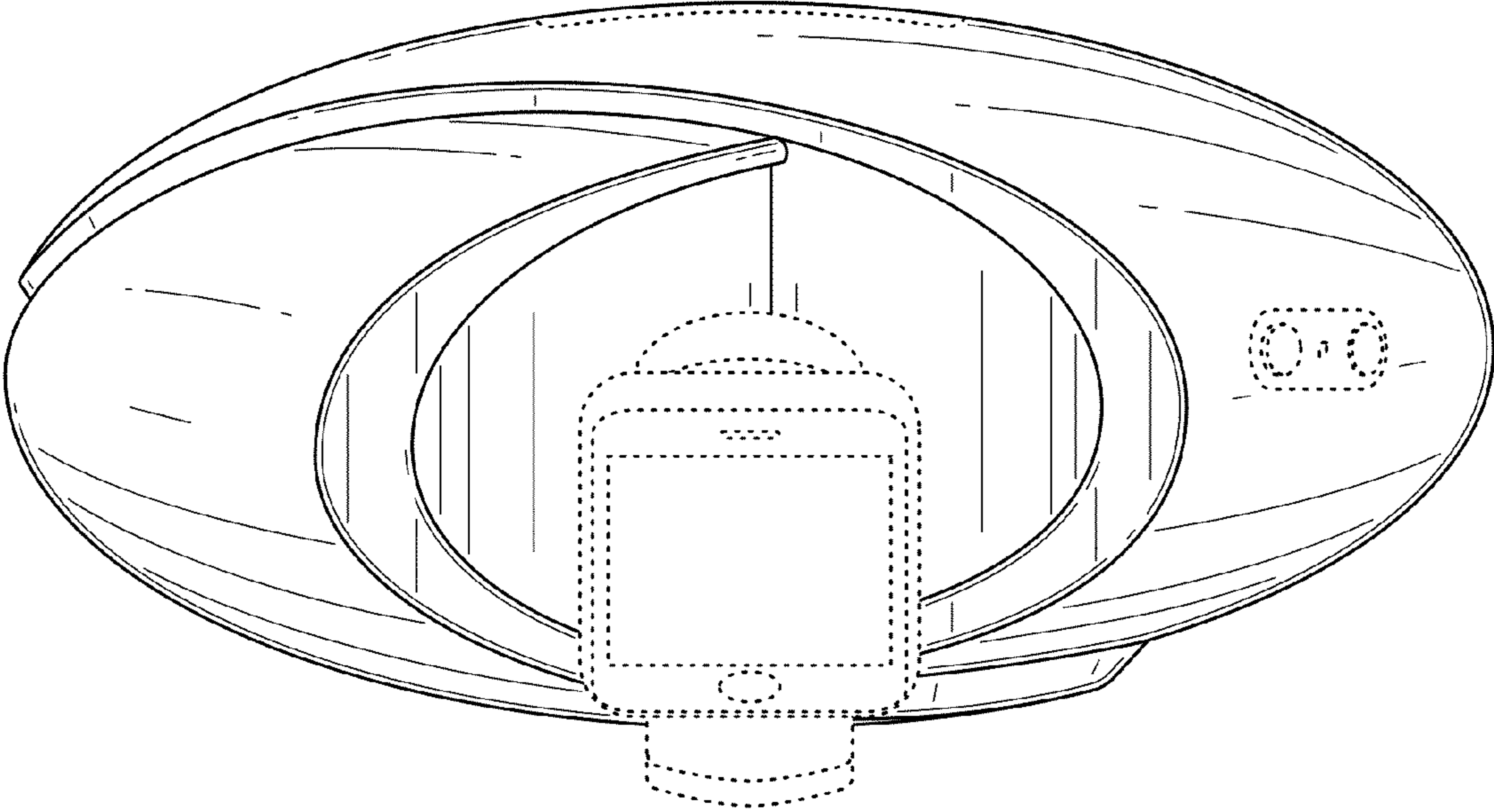


FIG. 9

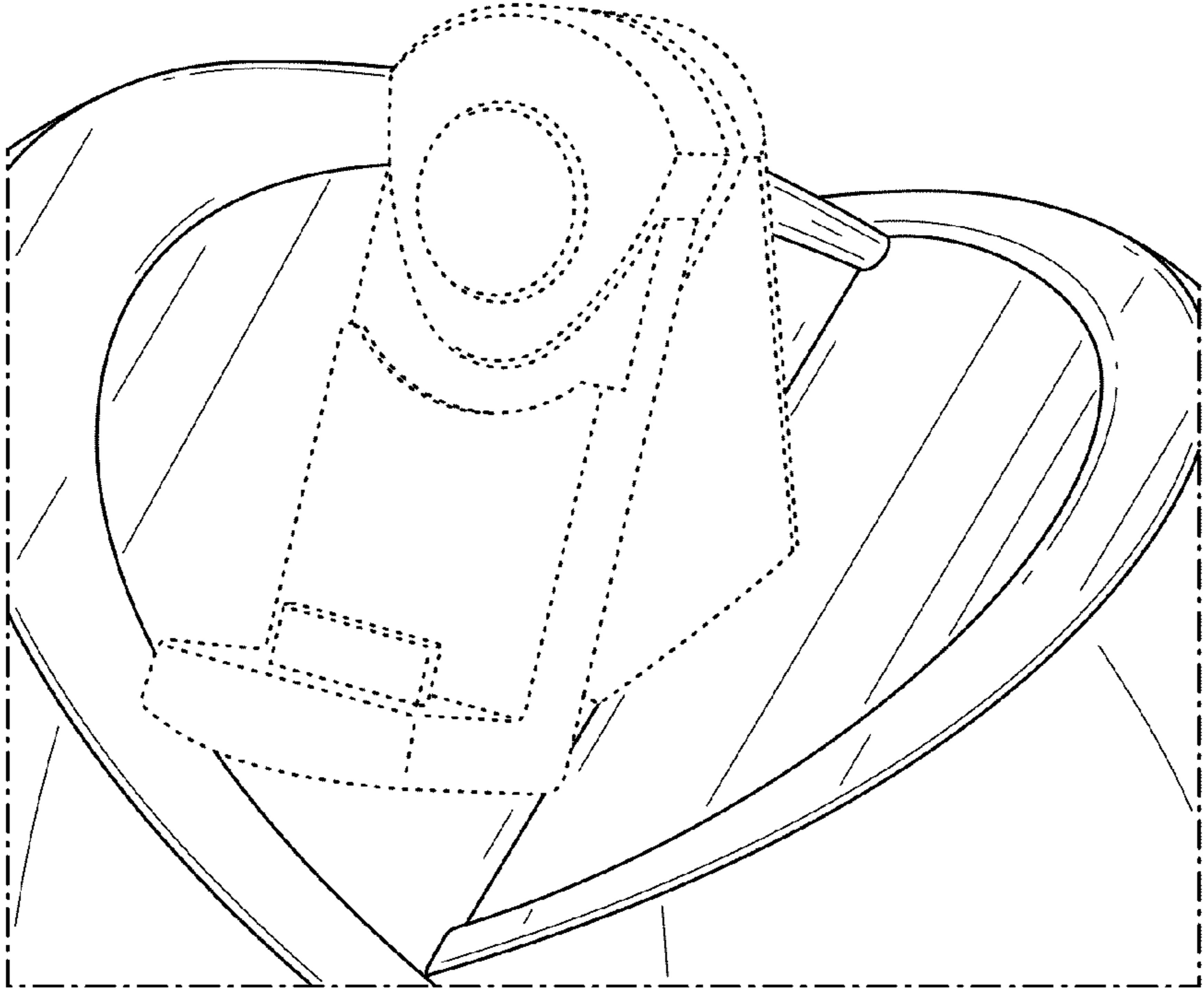


FIG. 10