



US00D650358S

(12) **United States Design Patent**  
**Chen**

(10) **Patent No.:** **US D650,358 S**

(45) **Date of Patent:** **\*\* Dec. 13, 2011**

(54) **PAIR OF SPEAKERS**

(75) Inventor: **Hwang-Miaw Chen**, Taipei Hsien (TW)

(73) Assignee: **Hon Hai Precision Industry Co., Ltd.**,  
Tu-Cheng, New Taipei (TW)

(\*\*) Term: **14 Years**

(21) Appl. No.: **29/382,175**

(22) Filed: **Dec. 29, 2010**

(51) **LOC (9) Cl.** ..... **14-01**

(52) **U.S. Cl.** ..... **D14/215**

(58) **Field of Classification Search** ..... D14/204,  
D14/210-215, 172; 181/143-144, 147-148,  
181/150-153, 157, 198-199; 381/300-303,  
381/306, 332-333, 336, 345, 361-364, 386-388  
See application file for complete search history.

(56) **References Cited**

**U.S. PATENT DOCUMENTS**

D485,257 S *	1/2004	Allen	.....	D14/215
D506,745 S *	6/2005	Sitoh	.....	D14/214
D565,029 S *	3/2008	Ching	.....	D14/214

\* cited by examiner

*Primary Examiner* — Nanda Bondade

(74) *Attorney, Agent, or Firm* — Altis Law Group, Inc.

(57) **CLAIM**

The ornamental design for a pair of speakers, as shown.

**DESCRIPTION**

FIG. 1 is a perspective view of one speaker of the pair of speakers showing my new design, shown separately for clarity of illustration.

FIG. 2 is a front elevational view of the one speaker.

FIG. 3 is a rear elevational view of the one speaker.

FIG. 4 is a left side elevational view of the one speaker,

FIG. 5 is a right side elevational view of the one speaker.

FIG. 6 is a top plan view of the one speaker.

FIG. 7 is a bottom plan view of the one speaker.

FIG. 8 is a cross-sectional view of the one speaker, corresponding to 8-8 of FIG. 2.

FIG. 9 is a perspective view of the other speaker of the pair of speakers showing my new design, shown separately for clarity of illustration.

FIG. 10 is a front elevational view of the other speaker.

FIG. 11 is a rear elevational view of the other speaker.

FIG. 12 is a left side elevational view of the other speaker.

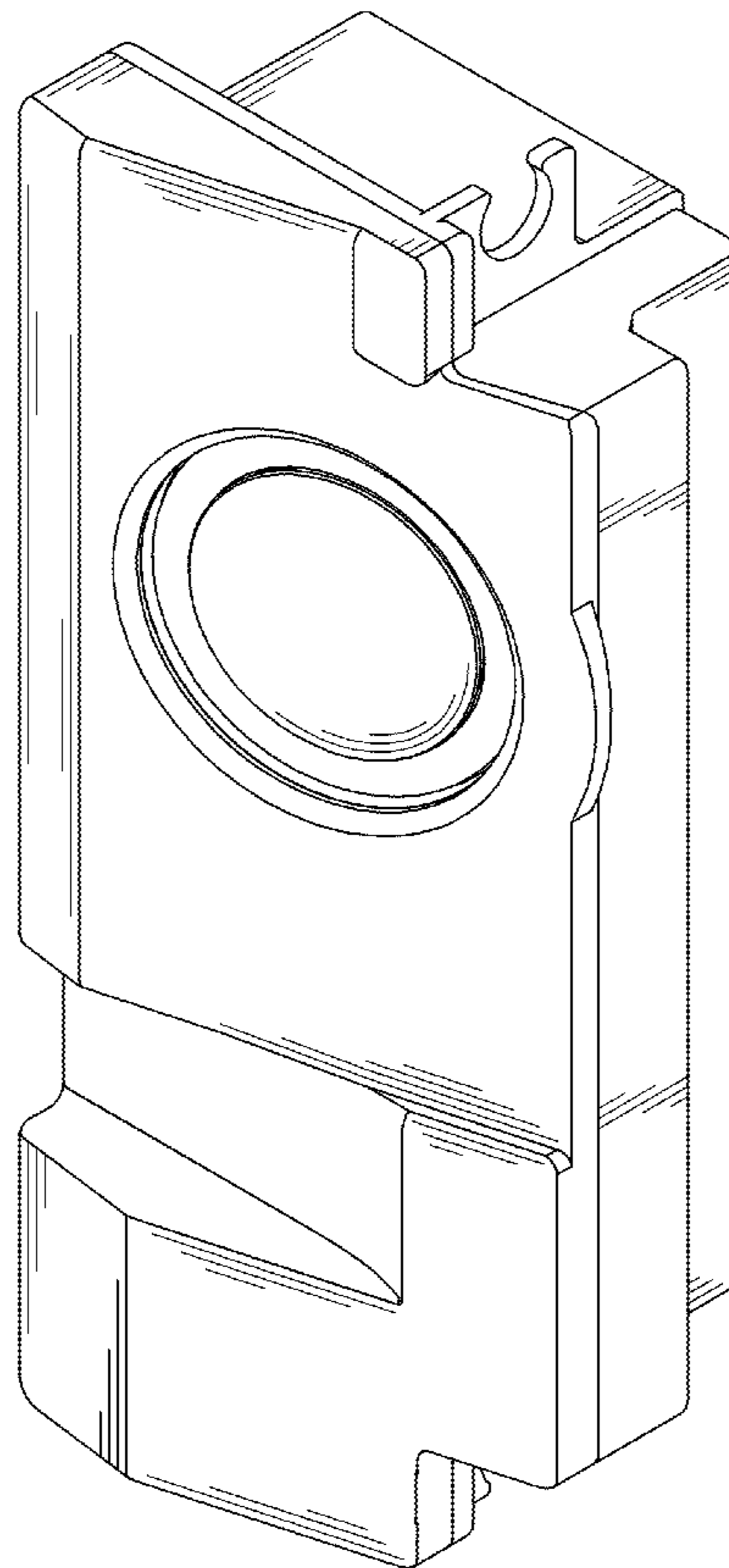
FIG. 13 is a right side elevational view of the other speaker.

FIG. 14 is a top plan view of the other speaker.

FIG. 15 is a bottom plan view of the other speaker; and,

FIG. 16 is a cross-sectional view of the other speaker, corresponding to 16-16 of FIG. 10.

**1 Claim, 16 Drawing Sheets**



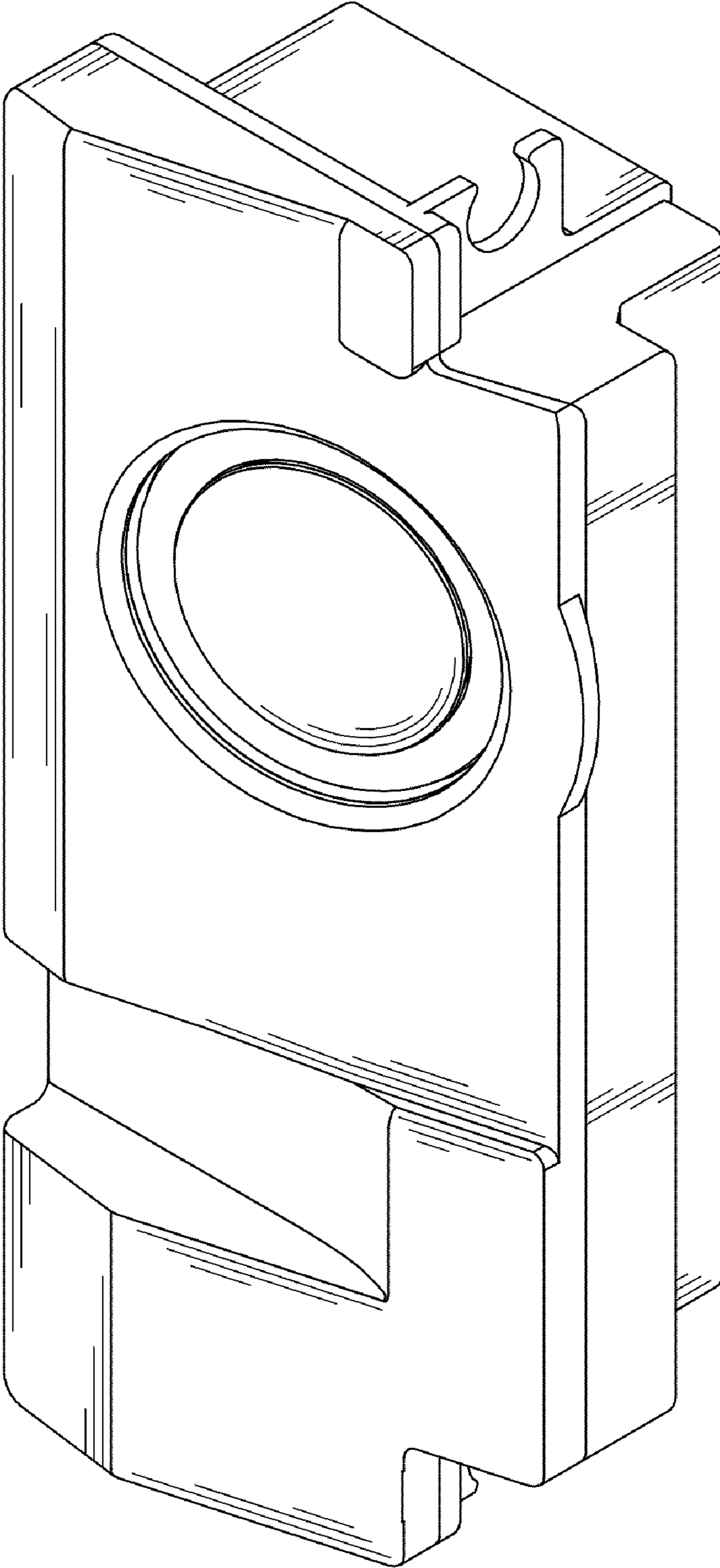


FIG. 1

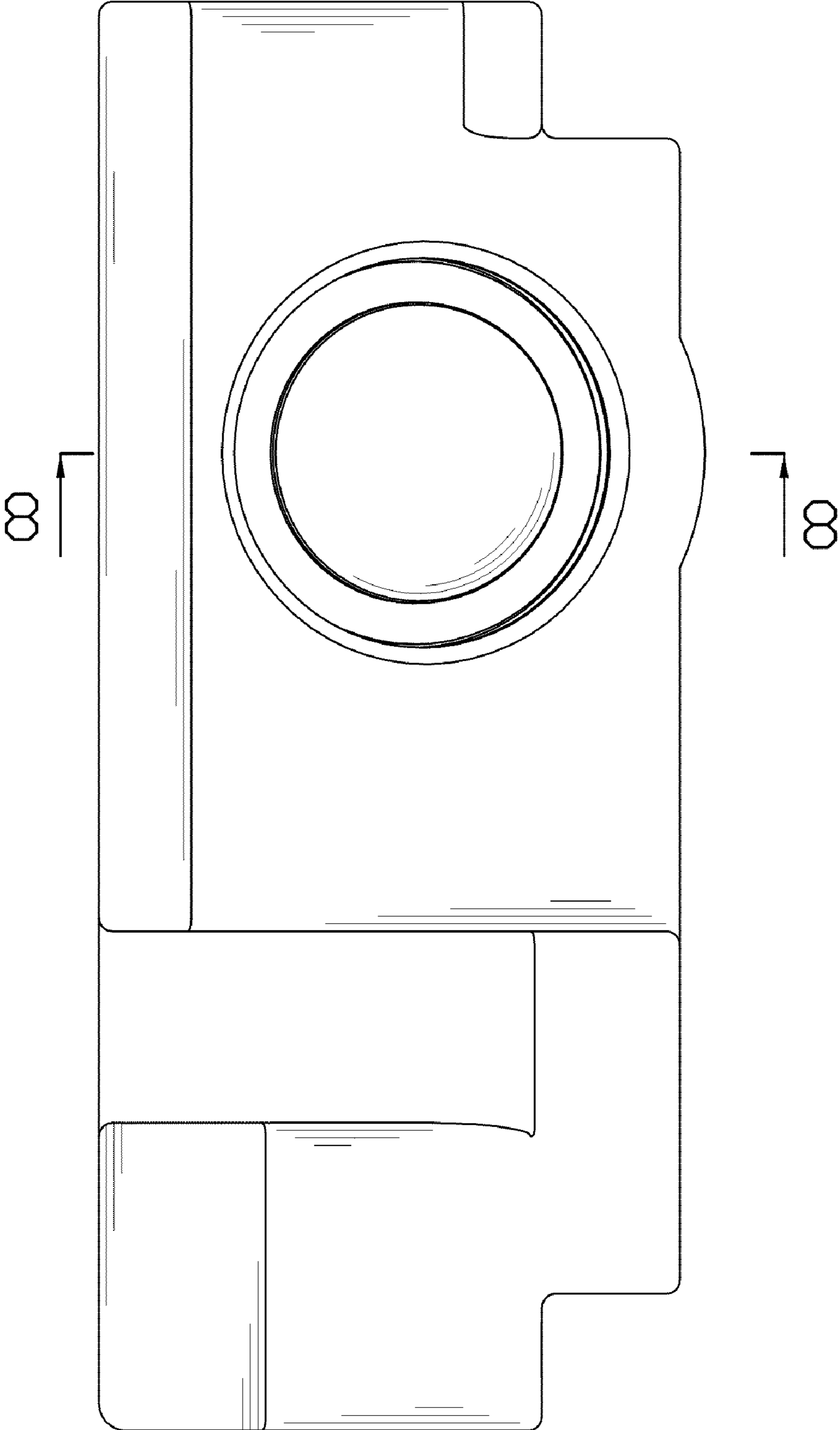


FIG. 2

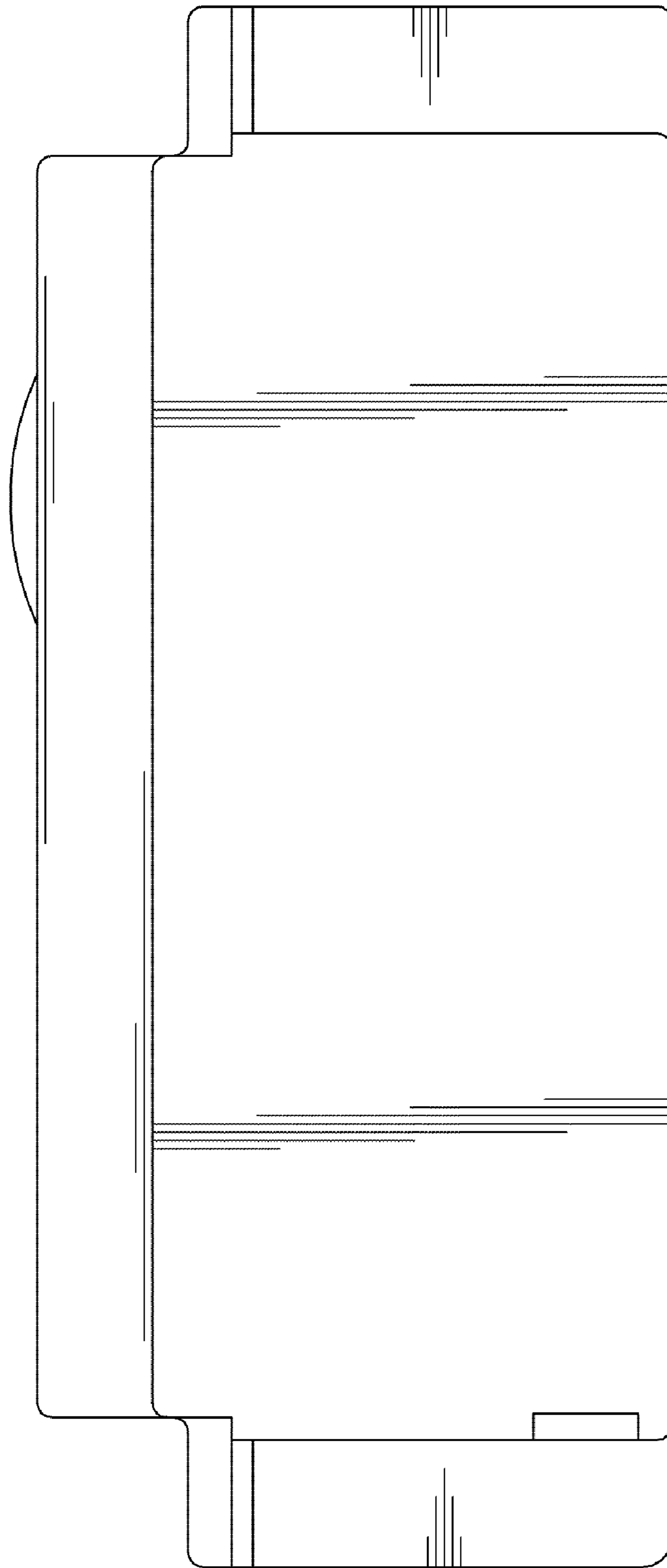


FIG. 3

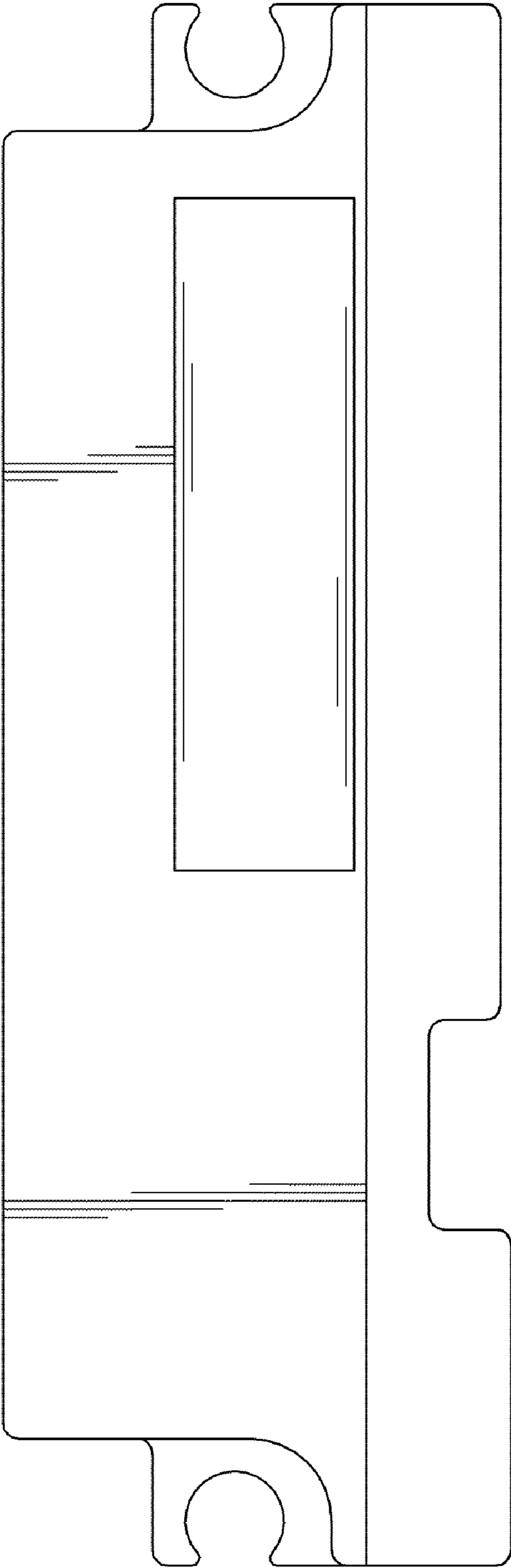


FIG. 4

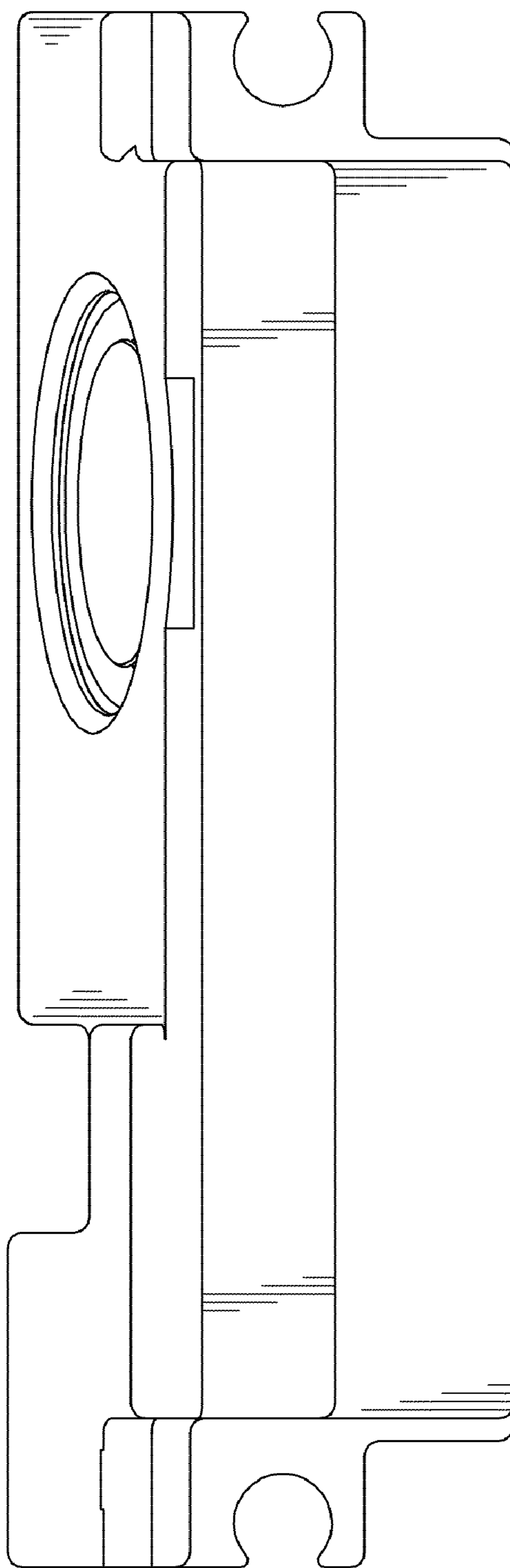


FIG. 5

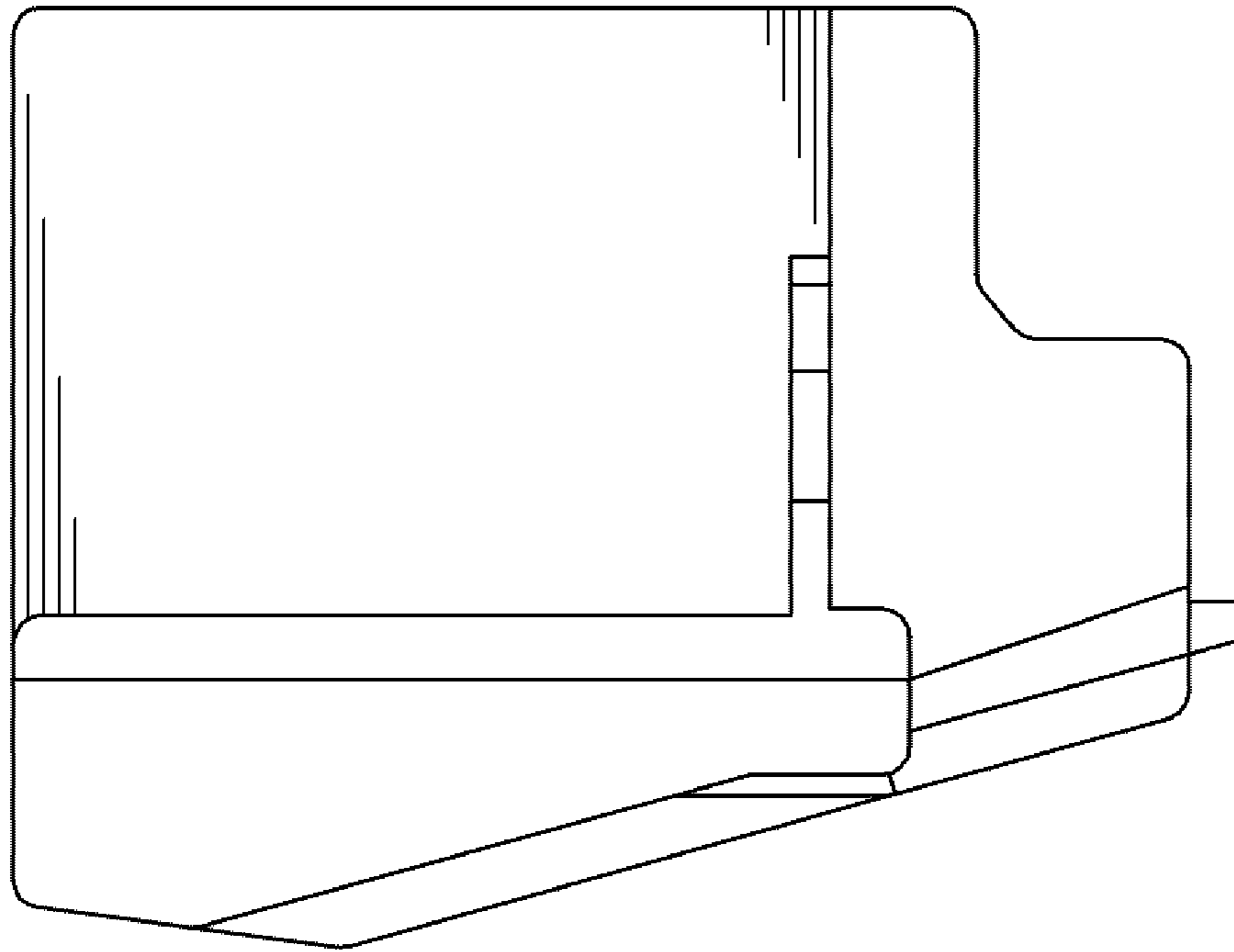


FIG. 6

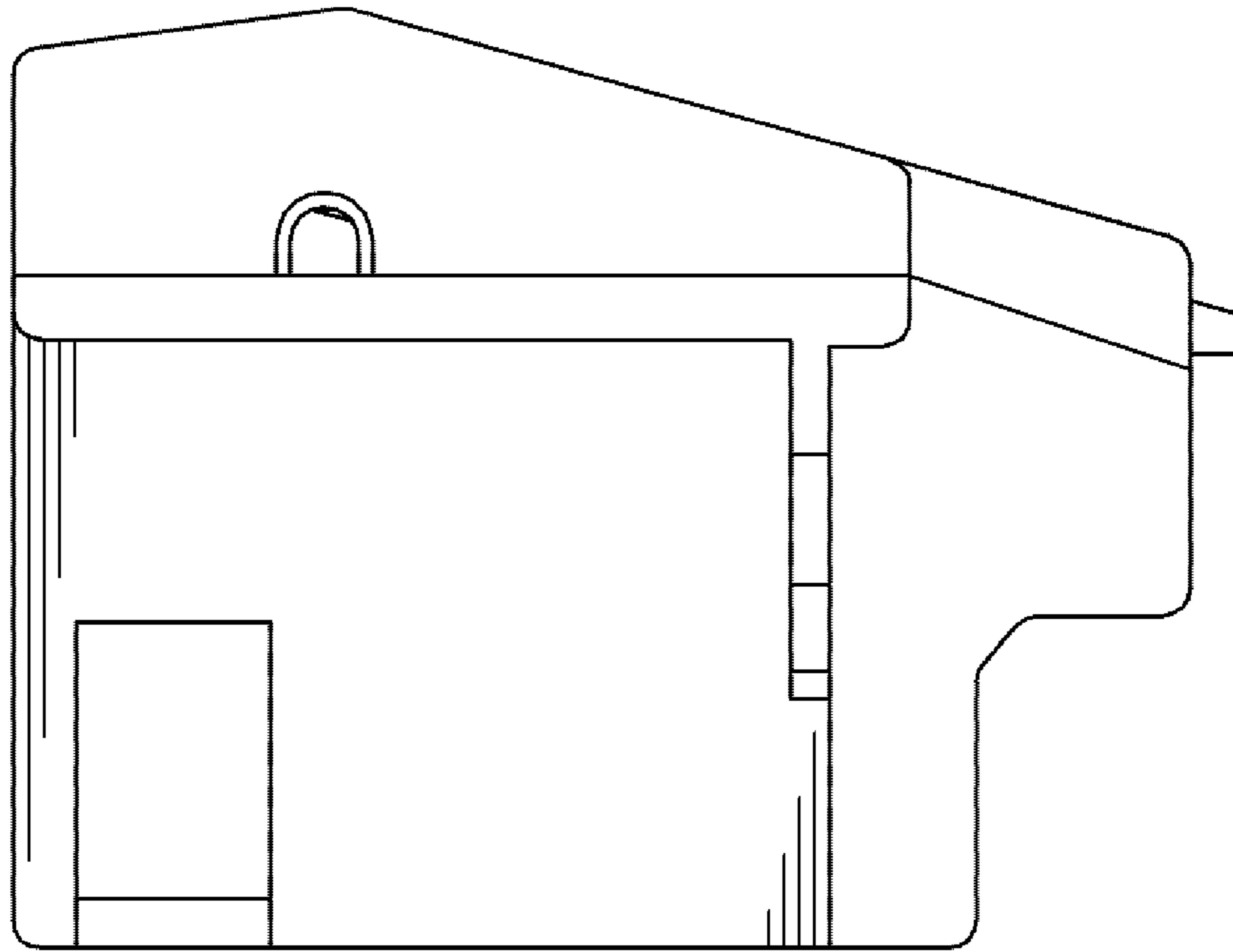


FIG. 7



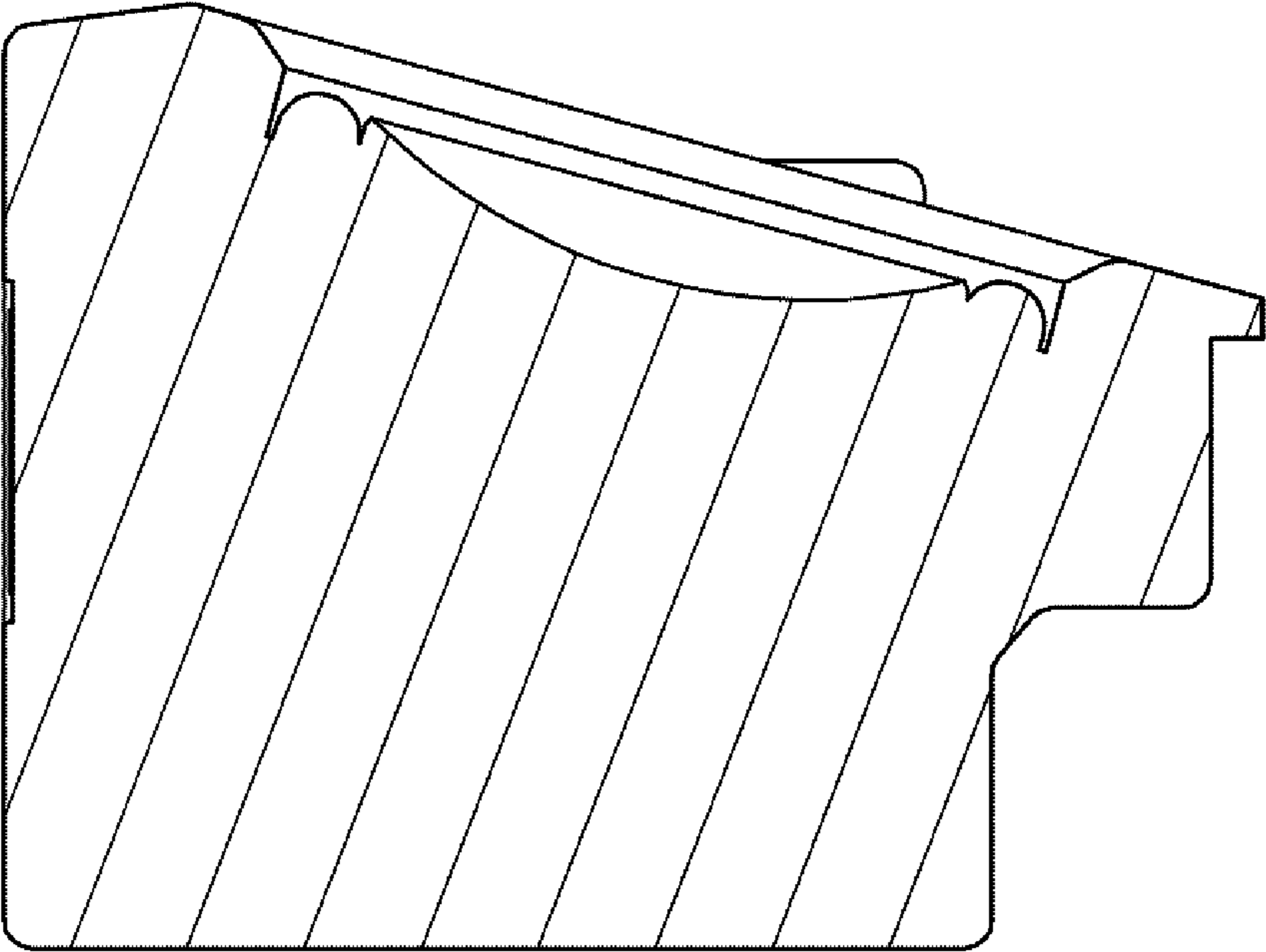


FIG. 8

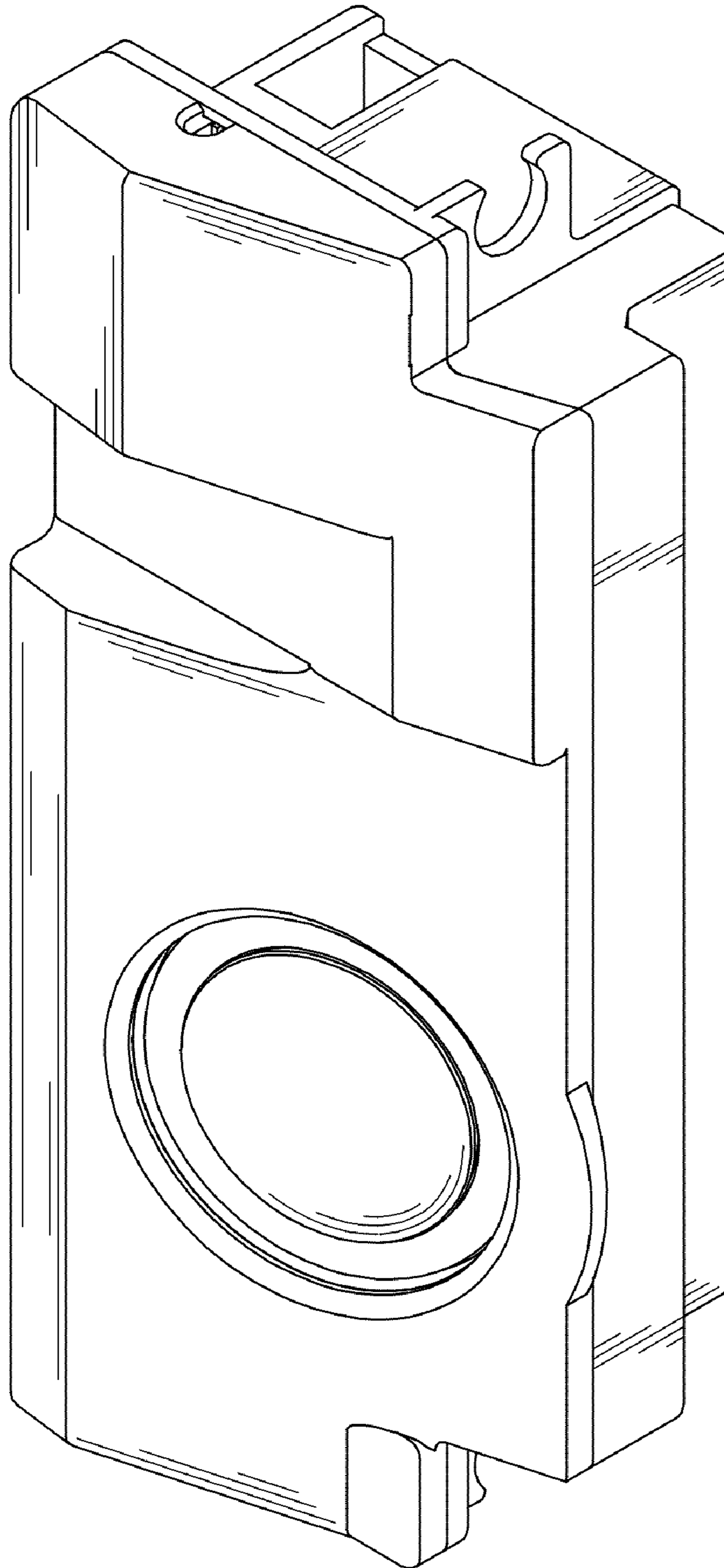


FIG. 9

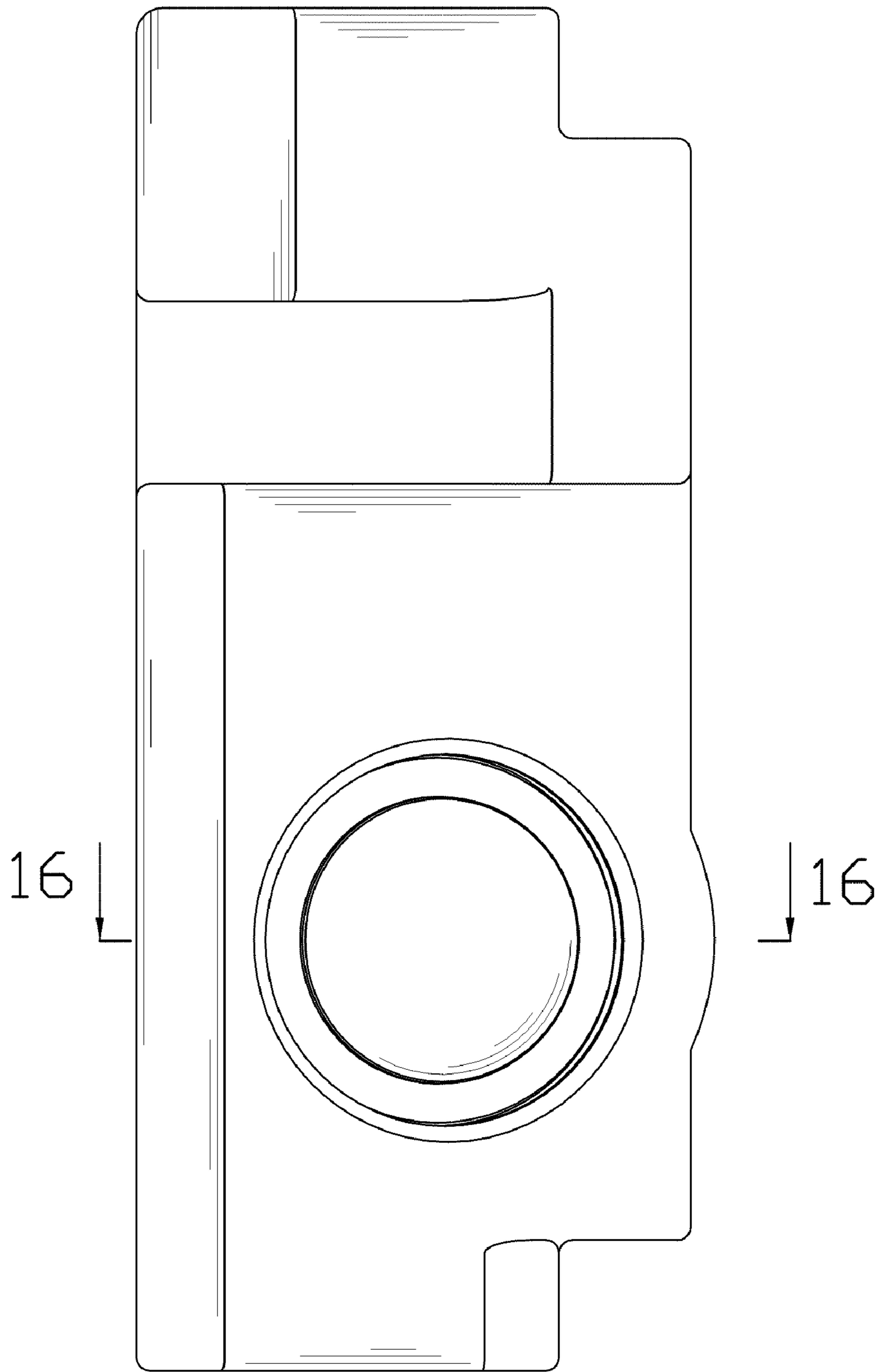


FIG. 10

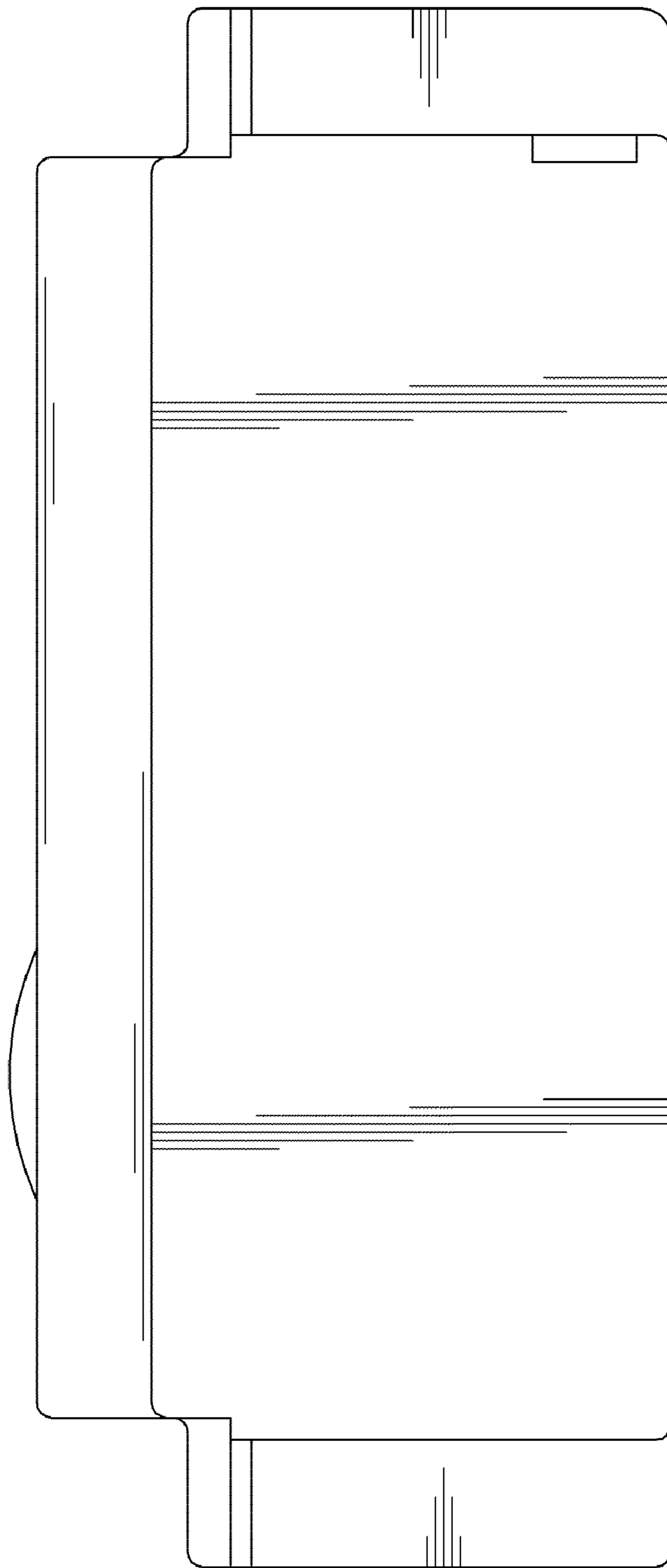


FIG. 11

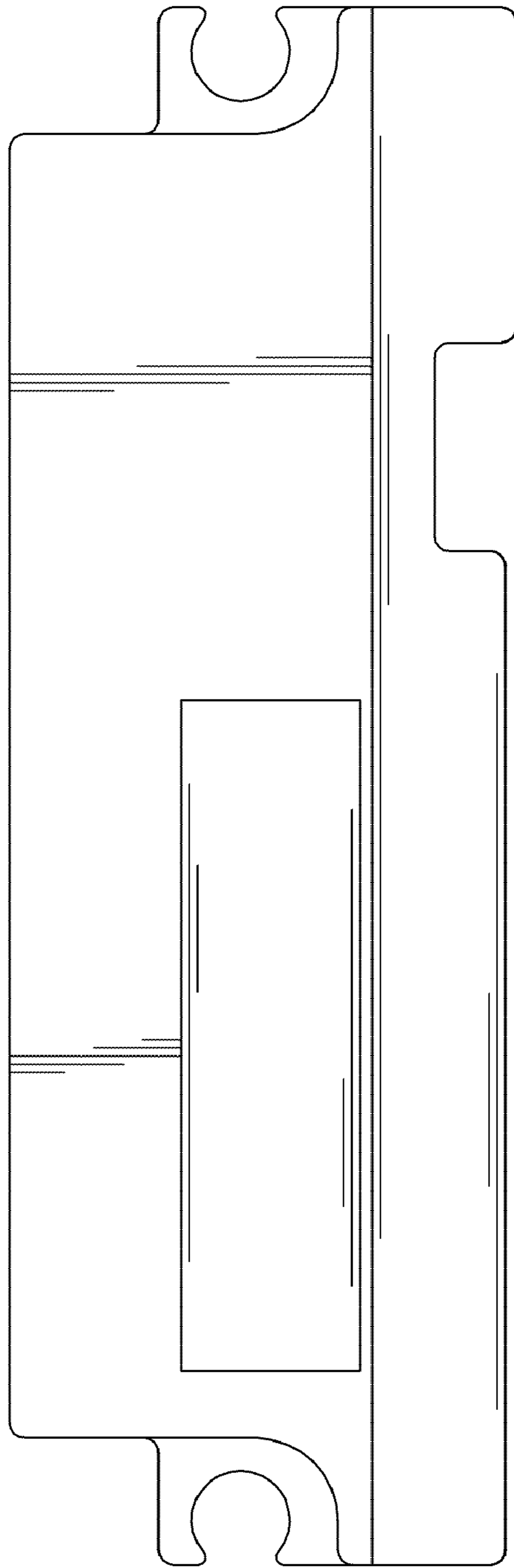


FIG. 12

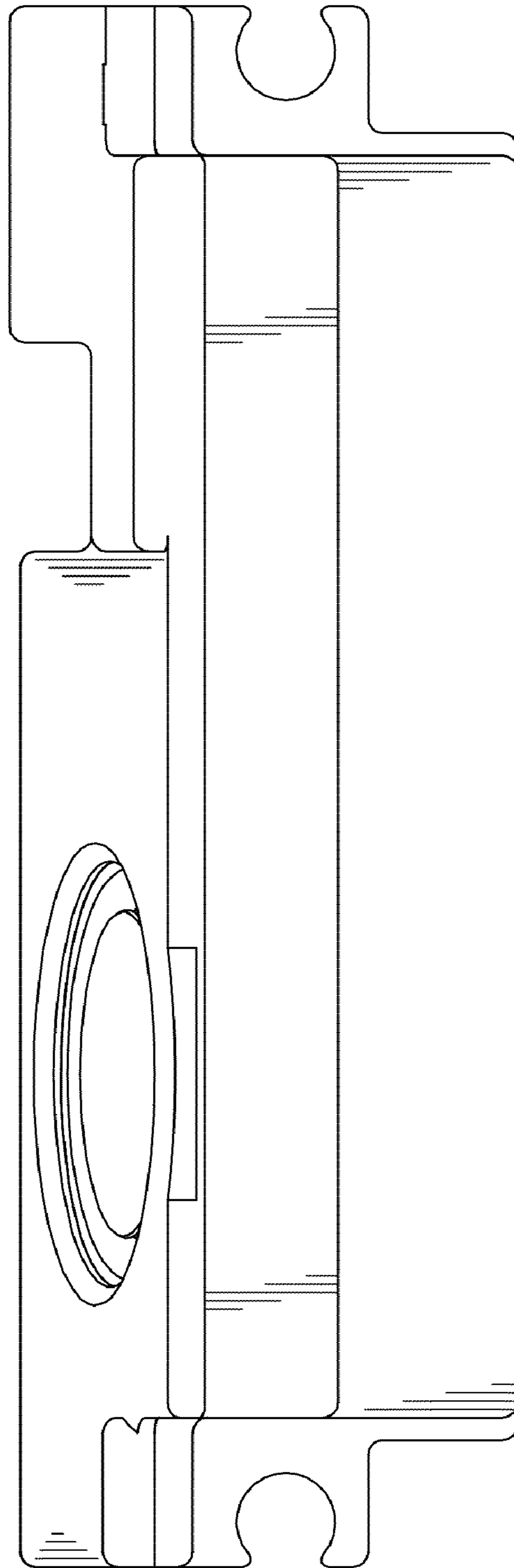


FIG. 13

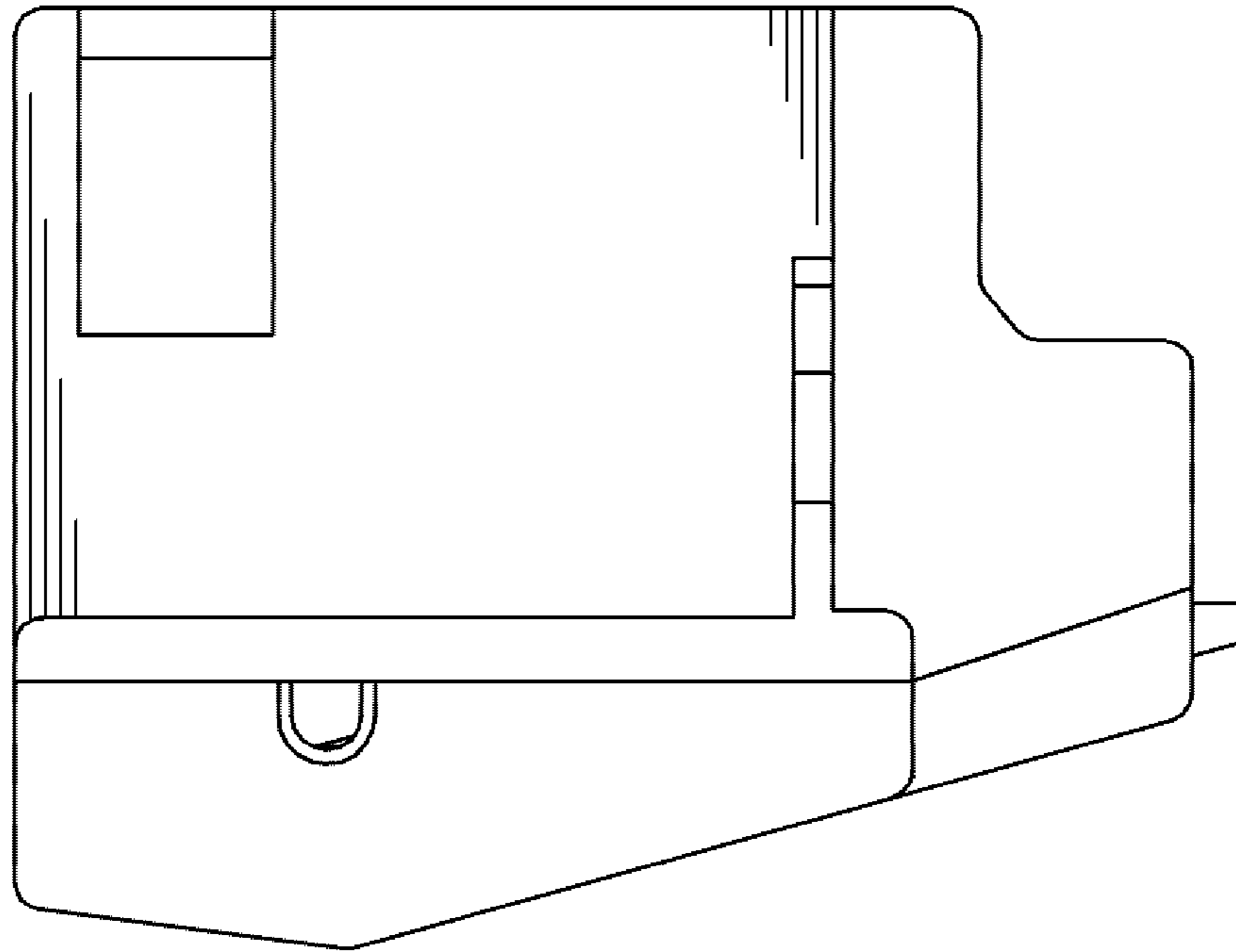


FIG. 14

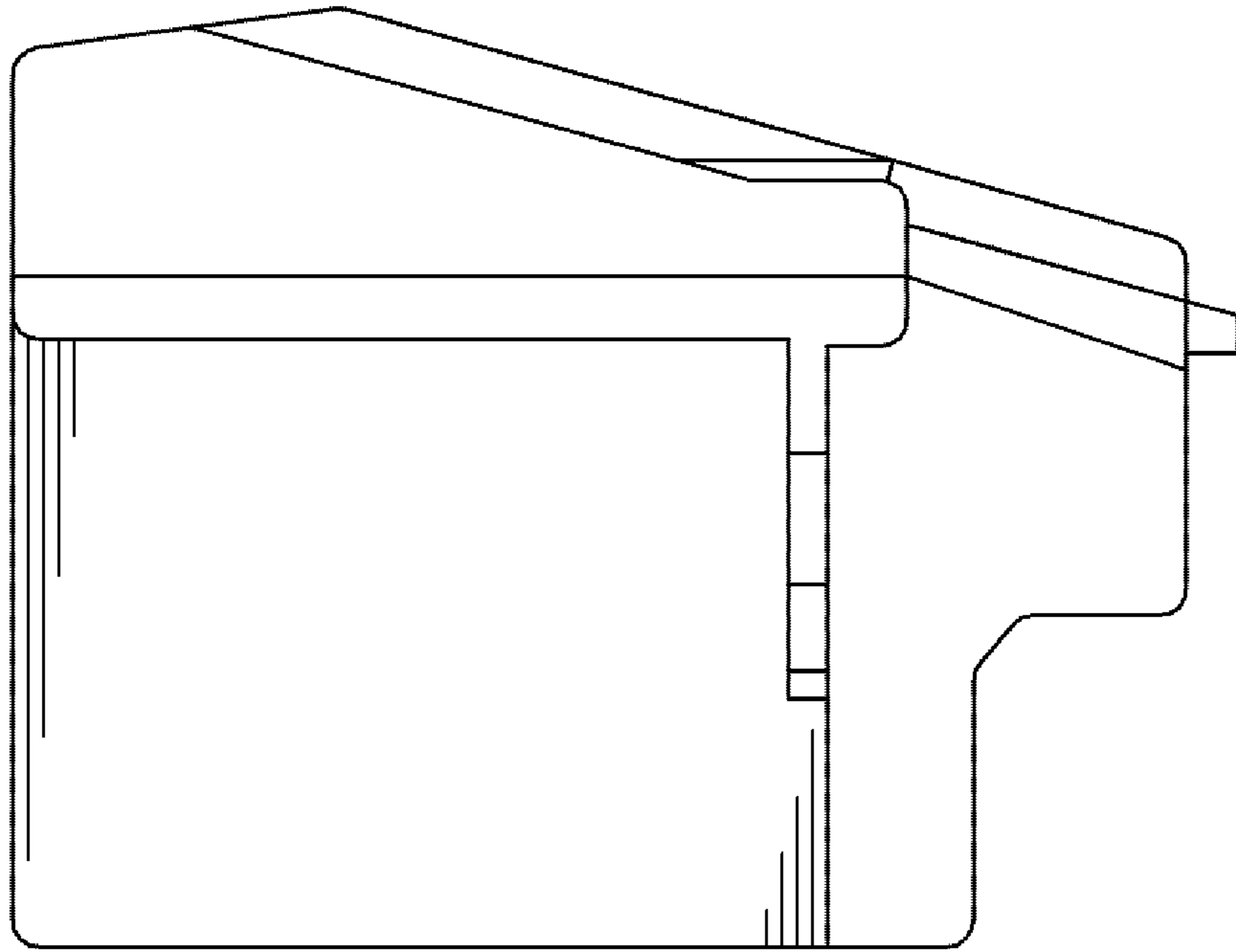


FIG. 15



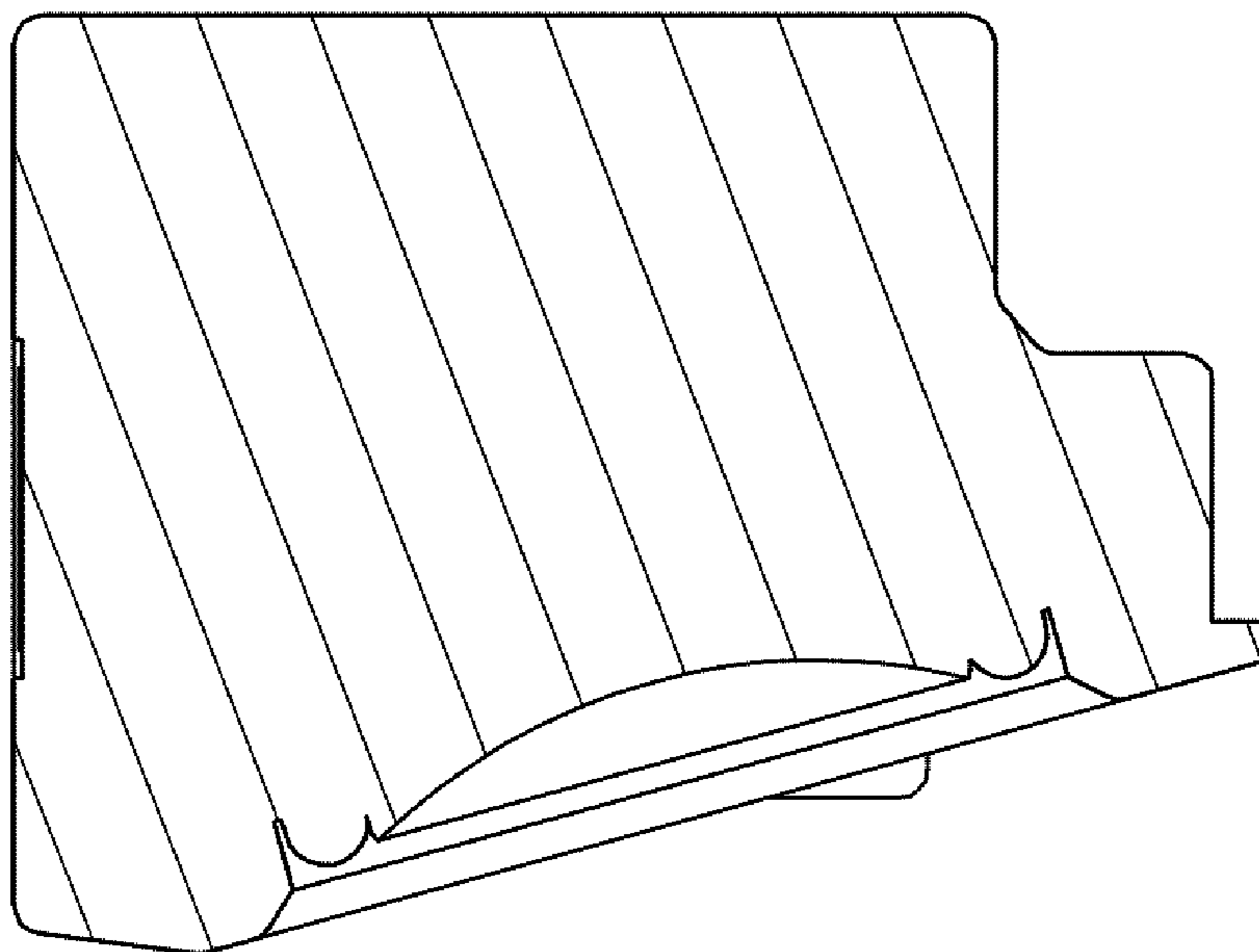


FIG. 16