



US00D650356S

(12) **United States Design Patent**
Alden et al.

(10) **Patent No.:** **US D650,356 S**
(45) **Date of Patent:** **** Dec. 13, 2011**

(54) **EYEGLASS SHAPED HEADPHONES**

(75) Inventors: **Richard P. Alden**, Park City, UT (US);
Peter M. Kelly, Park City, UT (US)

(73) Assignee: **Skullcandy, Inc.**, Park City, UT (US)

(**) Term: **14 Years**

(21) Appl. No.: **29/368,149**

(22) Filed: **Aug. 18, 2010**

Related U.S. Application Data

(63) Continuation-in-part of application No. 29/353,324,
filed on Jan. 6, 2010, now Pat. No. Des. 623,627.

(51) **LOC (9) Cl.** **14-01**

(52) **U.S. Cl.** **D14/205**

(58) **Field of Classification Search** D14/205,
D14/206, 223, 192; 181/129, 130, 135; 379/430;
381/380, 381, 374, 376, 378; 2/209, 422-425;
455/90.3, 569.1, 575.2

See application file for complete search history.

(56) **References Cited**

U.S. PATENT DOCUMENTS

D58,905	S *	9/1921	Harrington	D9/414
2,168,781	A *	8/1939	Petersen	381/381
2,782,423	A *	2/1957	Simon et al.	2/209
D237,307	S *	10/1975	Miyamoto	D14/192
4,713,843	A *	12/1987	Duncan	2/209
D315,561	S *	3/1991	Miller	D14/192
5,970,160	A *	10/1999	Nilsson et al.	381/371
D452,491	S *	12/2001	Sato	D14/223
6,386,314	B1 *	5/2002	Sheehan et al.	181/129
6,474,585	B2 *	11/2002	Liao	242/378.1
D470,833	S *	2/2003	Rath et al.	D14/205
6,611,959	B1 *	9/2003	Lando	2/10
D502,695	S *	3/2005	Suzuki	D14/192
6,902,029	B2 *	6/2005	Weise	181/129
D509,211	S *	9/2005	Han et al.	D14/205
D519,487	S *	4/2006	Knight	D14/188

D559,837	S *	1/2008	Nakano	D14/223
D576,604	S *	9/2008	Suzuki	D14/205
D584,283	S *	1/2009	Soetejo et al.	D14/205
D585,879	S *	2/2009	Schulman	D14/223
D616,738	S *	6/2010	Andre et al.	D9/430
D617,770	S *	6/2010	Sanguinetti et al.	D14/205
D623,627	S *	9/2010	Alden et al.	D14/205
7,869,615	B2 *	1/2011	Chang	381/371
D641,003	S *	7/2011	Alden	D14/205

FOREIGN PATENT DOCUMENTS

EM	DM/052815	6/2000
EM	001548132-0001	6/2009
EM	001665068-0001	2/2010
EM	001728510-002	9/2010
GB	4016438	8/2010
RU	61310	1/2007

* cited by examiner

Primary Examiner — Paula Greene

(74) *Attorney, Agent, or Firm* — Workman Nydegger

(57) **CLAIM**

The ornamental design for eyeglass shaped headphones, as shown and described.

DESCRIPTION

FIG. 1 is a front perspective view of a eyeglass shaped headphones;

FIG. 2 is a front elevational view thereof;

FIG. 3 is a rear elevational view thereof;

FIG. 4 is an elevated left view thereof;

FIG. 5 is an elevated right view thereof;

FIG. 6 is an top plan view thereof;

FIG. 7 is an elevated bottom view thereof;

FIG. 8 is a front perspective reference view thereof;

FIG. 9 is an elevated left reference view thereof; and,

FIG. 10 is a top plan reference view thereof.

The dotted lines illustrate environmental features of exemplary eyeglass shaped headphones, and form no part of the claimed design.

1 Claim, 9 Drawing Sheets



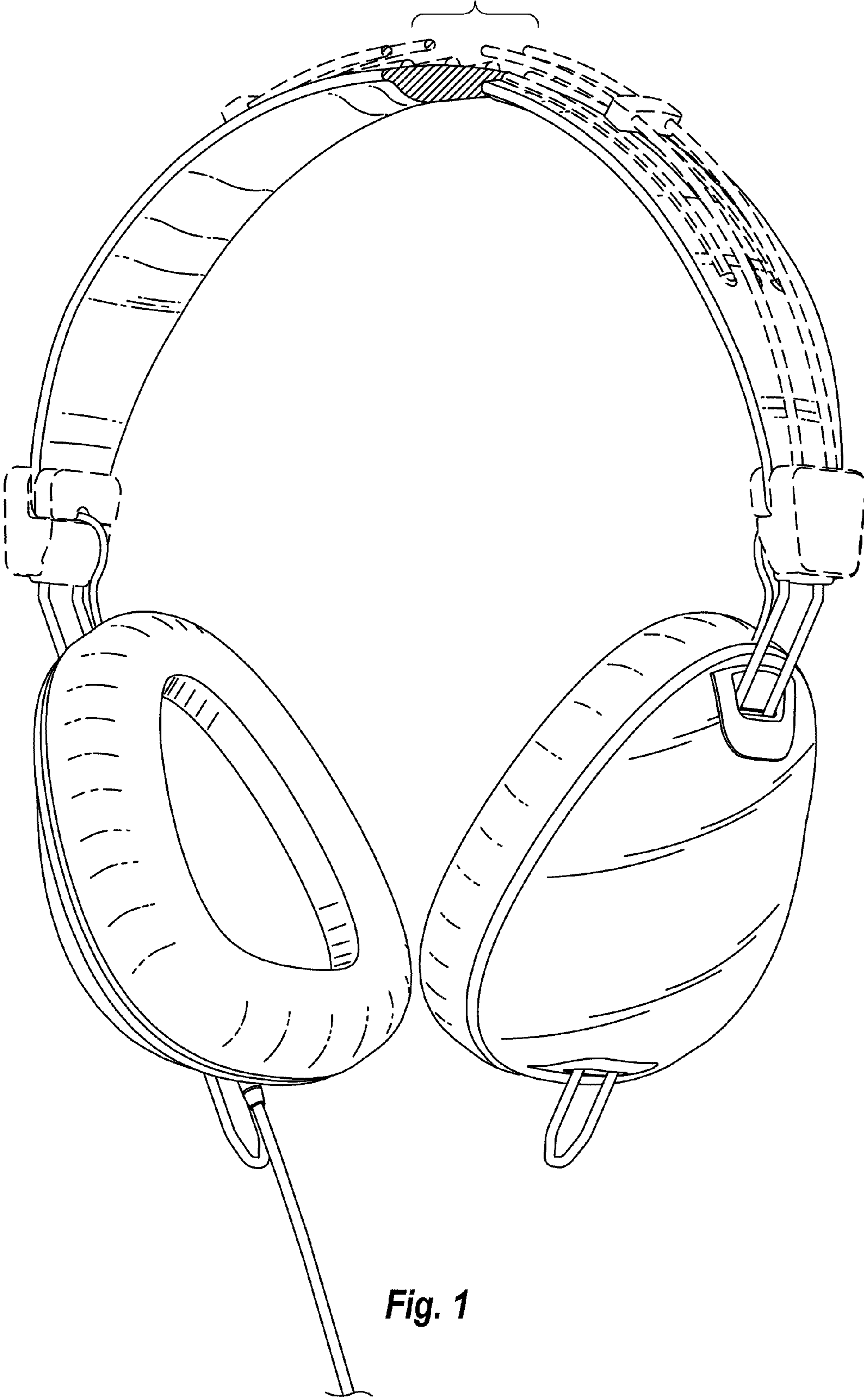


Fig. 1

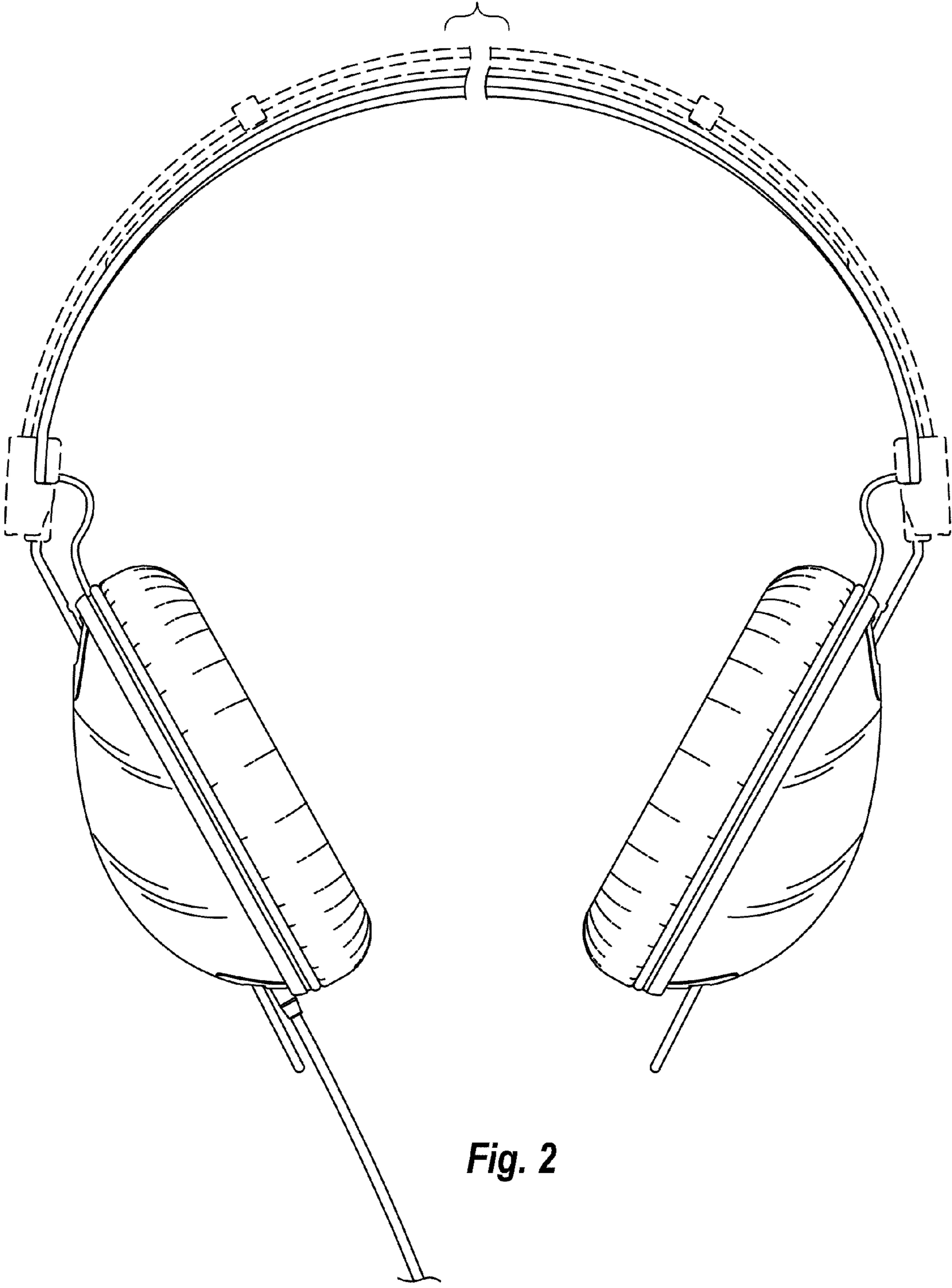


Fig. 2

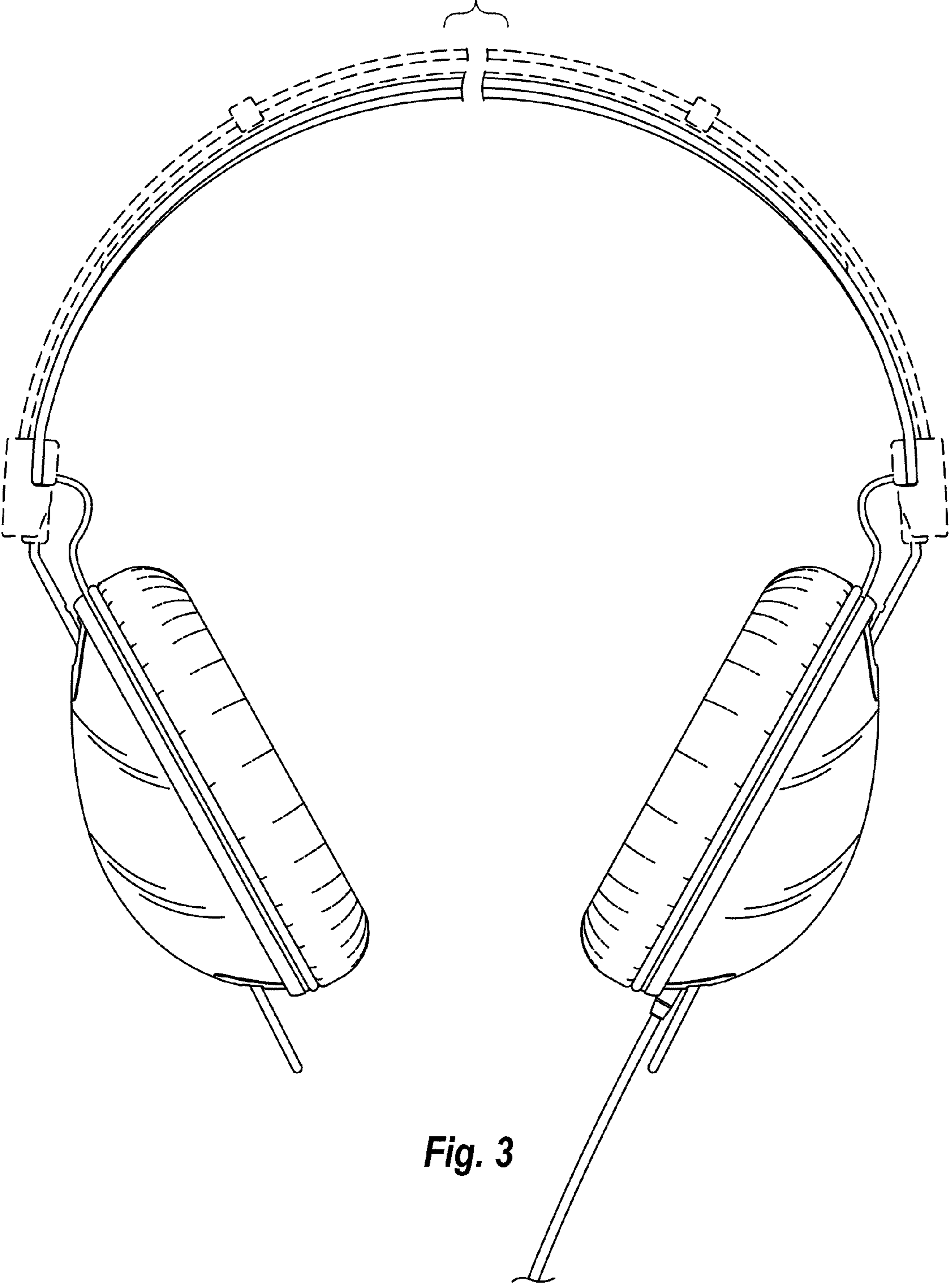


Fig. 3

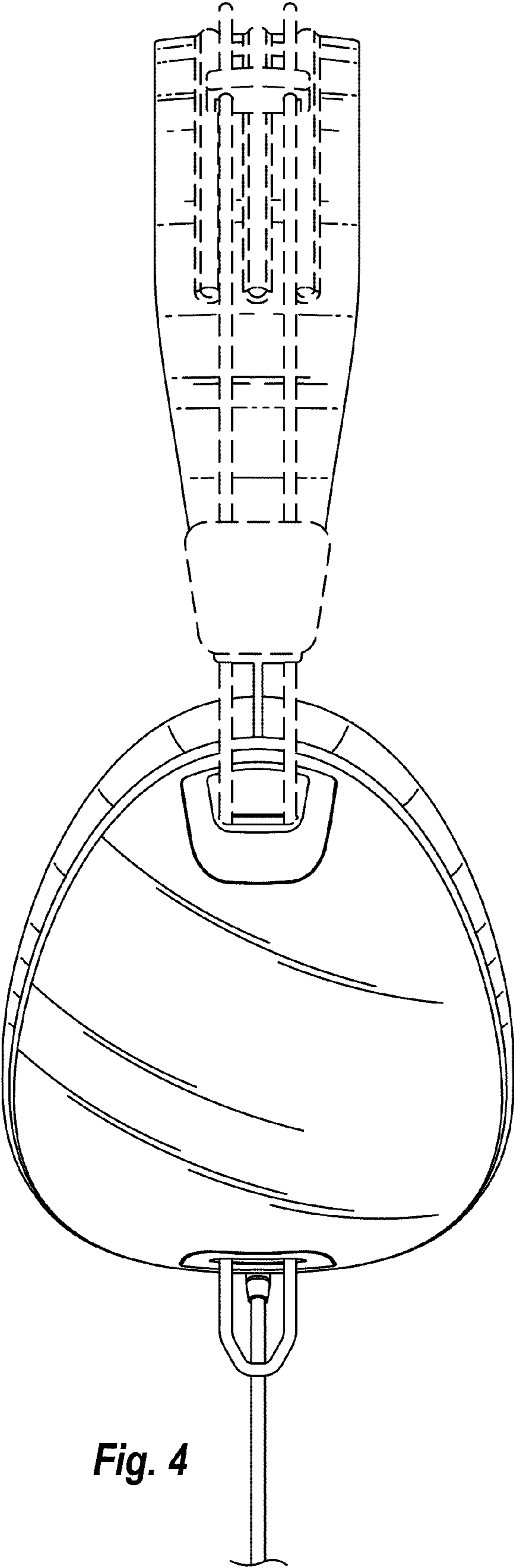


Fig. 4

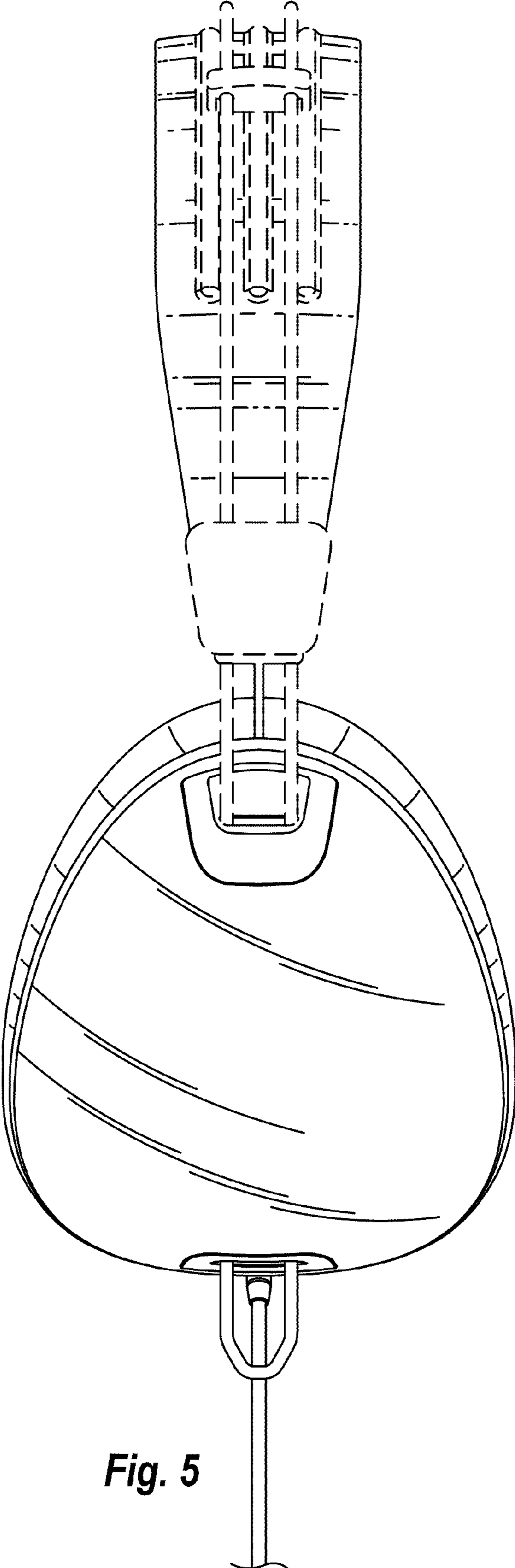


Fig. 5

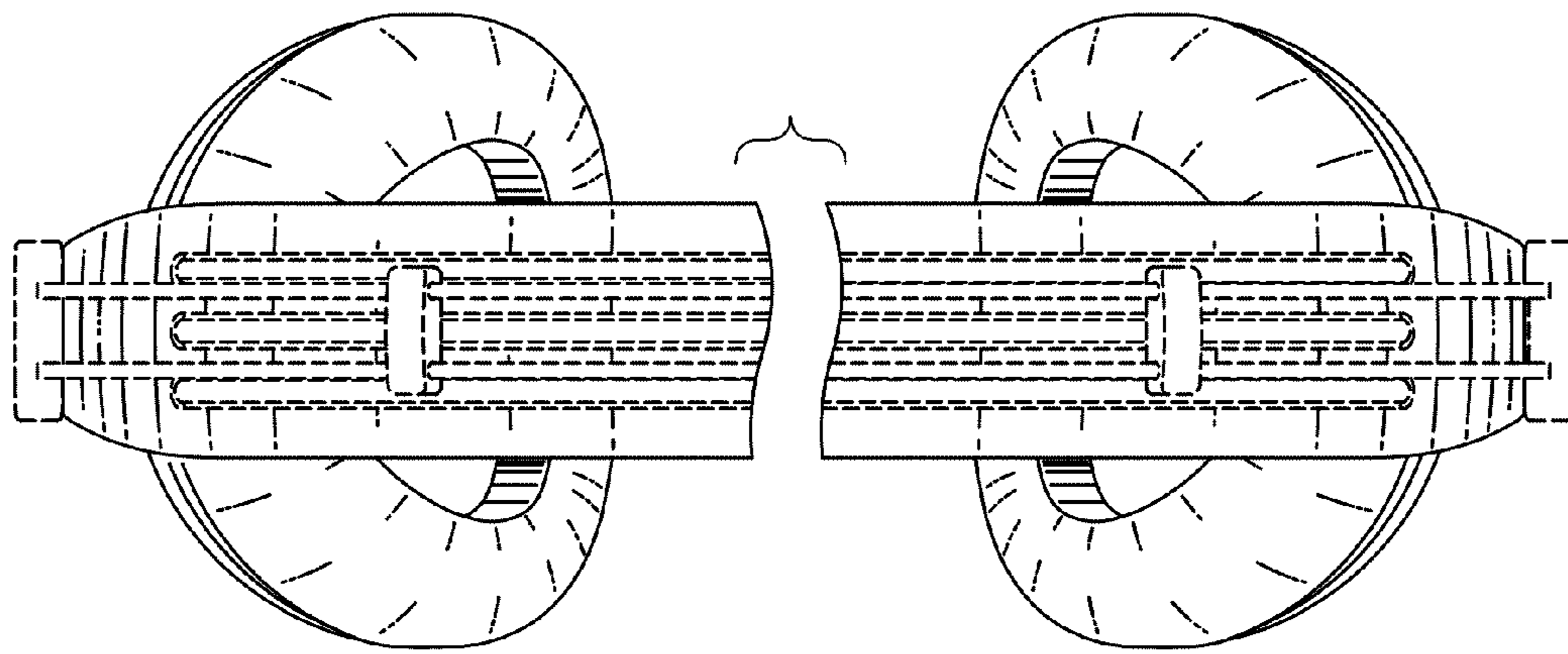


Fig. 6

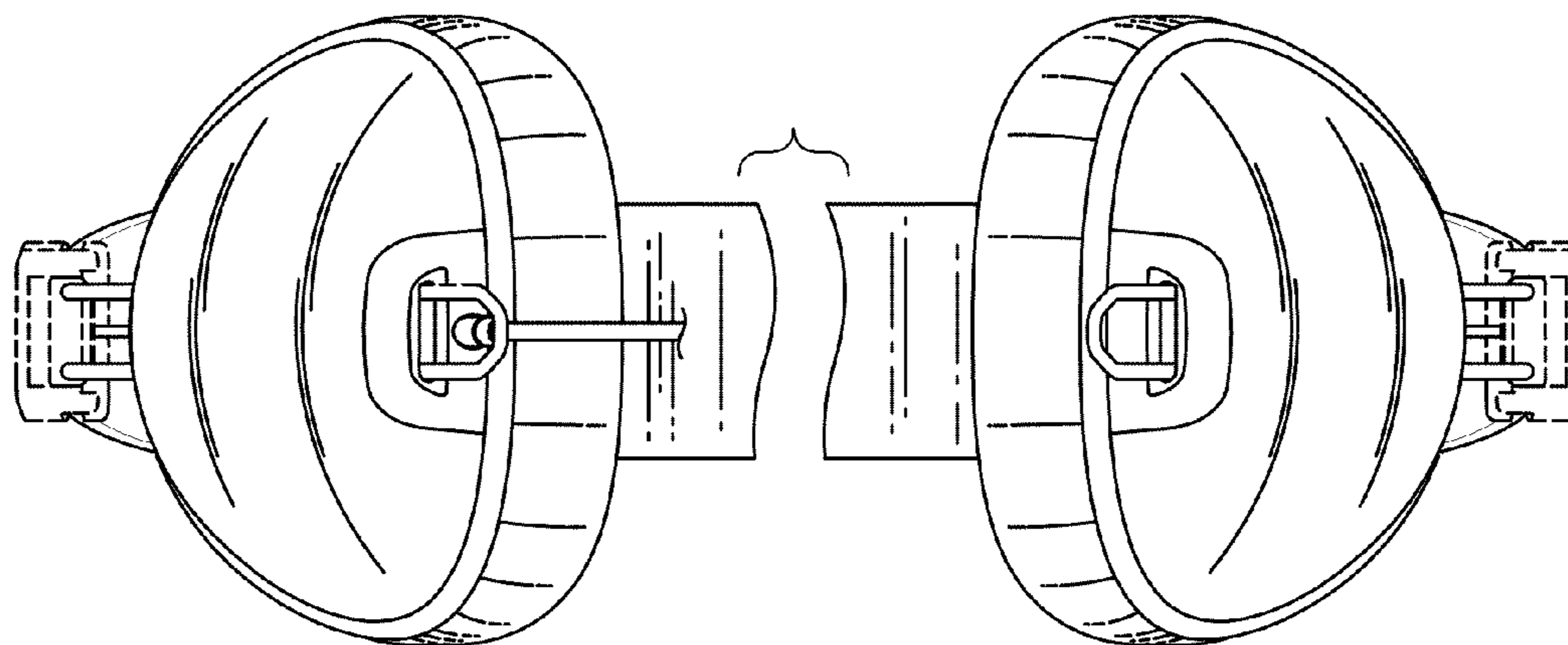


Fig. 7

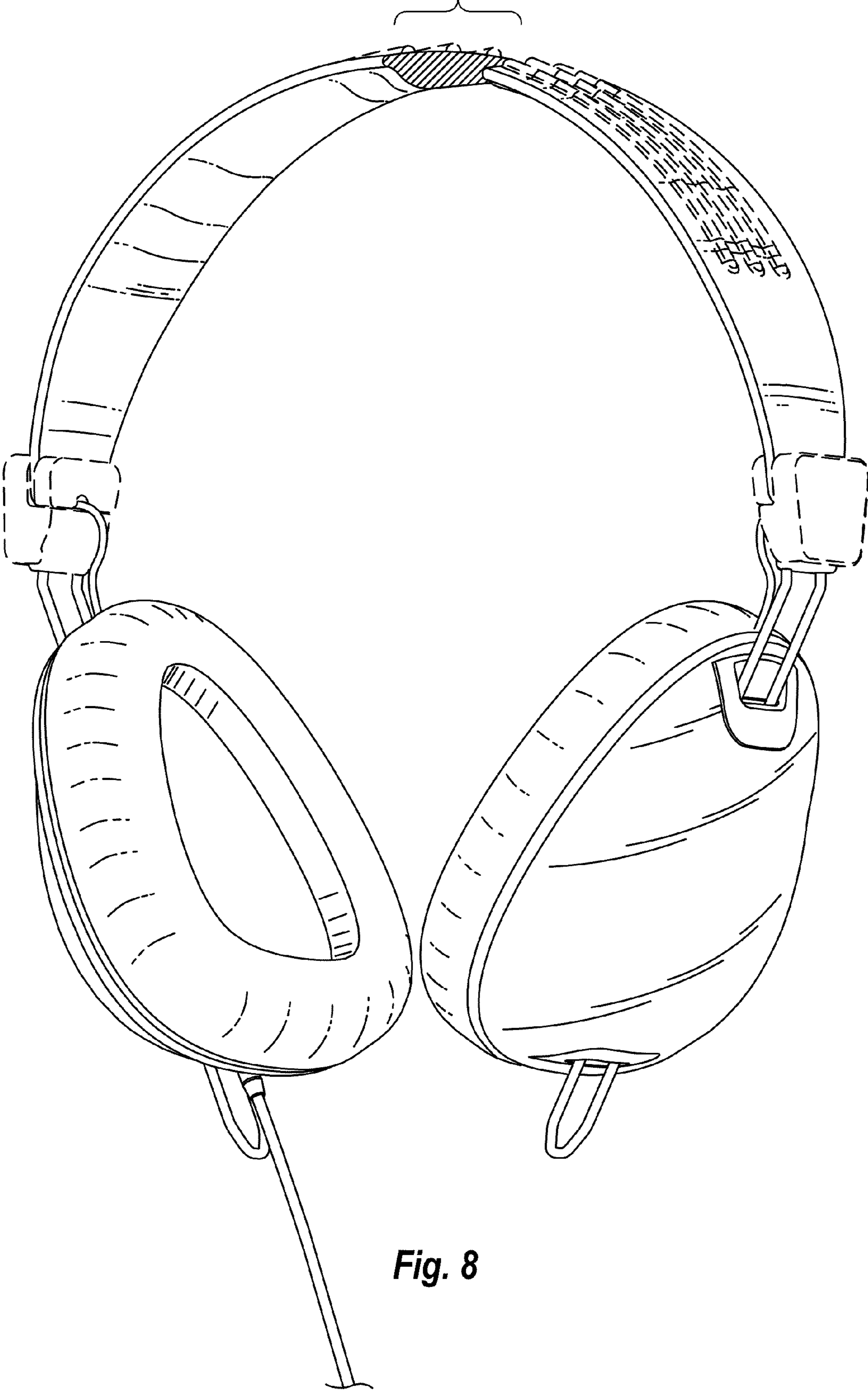


Fig. 8

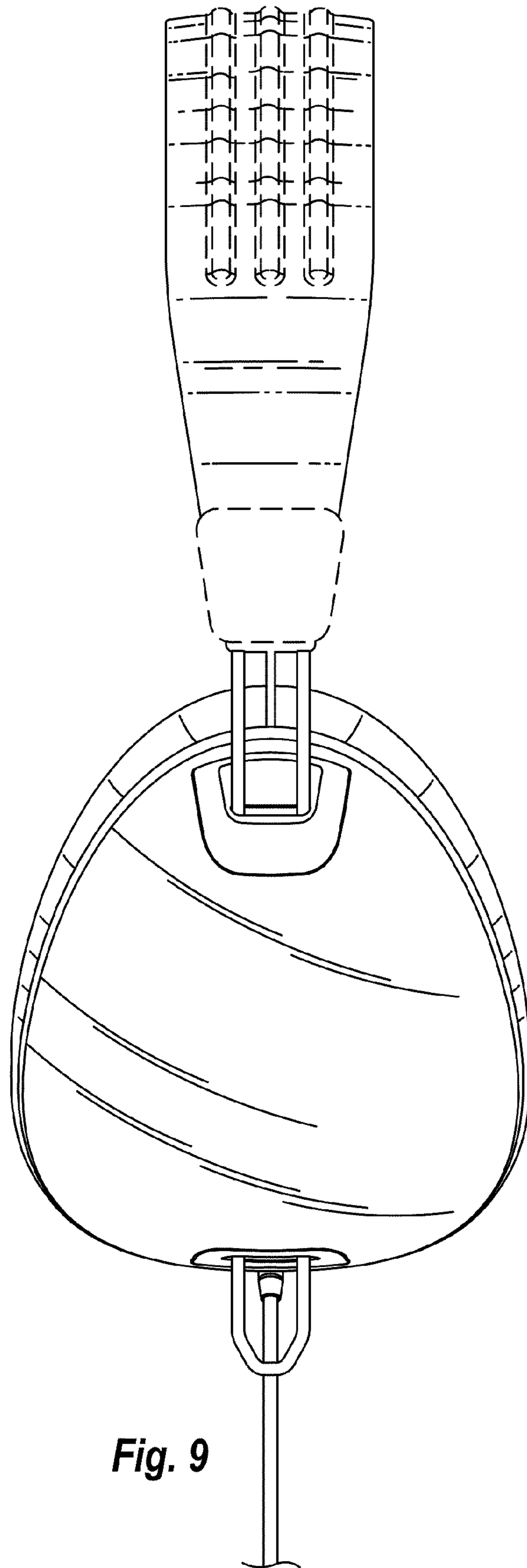


Fig. 9

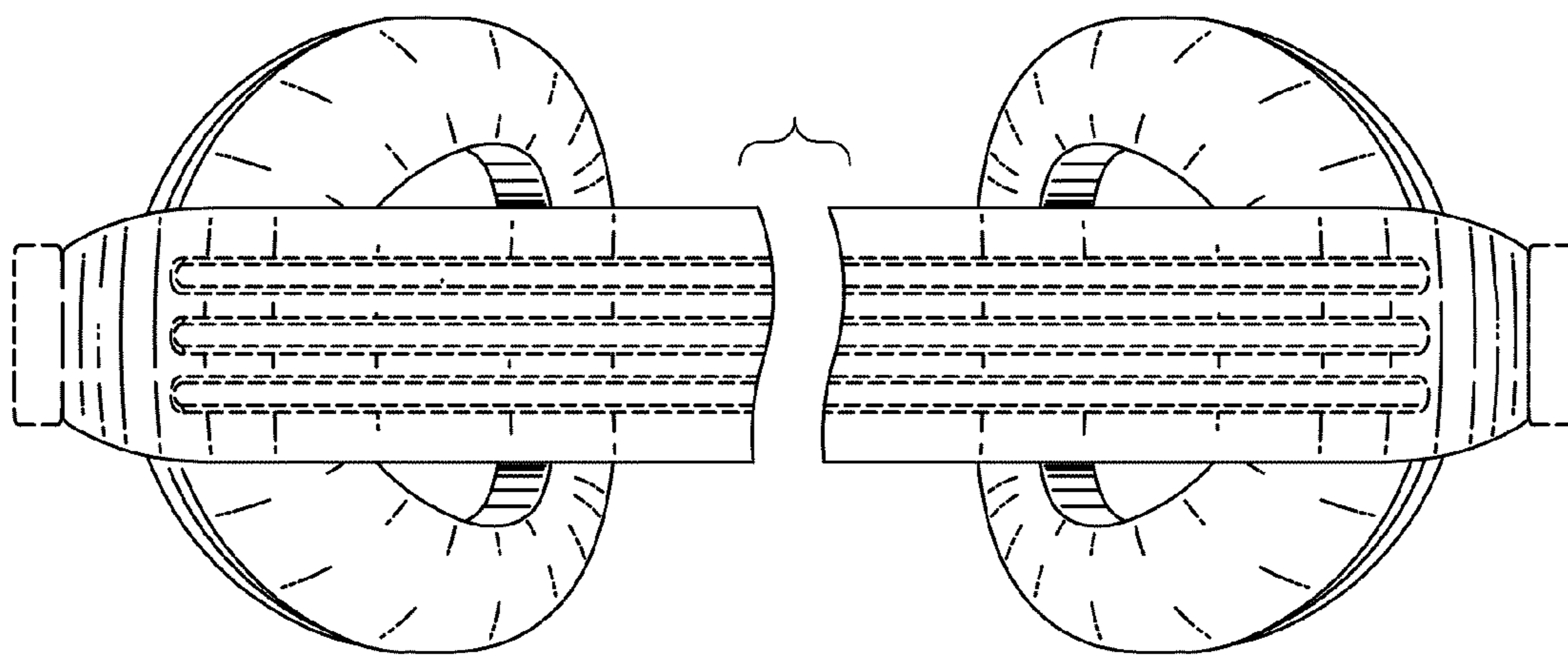


Fig. 10