



US00D650354S

(12) **United States Design Patent**
Andre et al.

(10) **Patent No.:** **US D650,354 S**

(45) **Date of Patent:** **** Dec. 13, 2011**

(54) **MEDIA DEVICE**

(75) Inventors: **Bartley K. Andre**, Menlo Park, CA (US); **Daniel J. Coster**, San Francisco, CA (US); **Daniele De Iuliis**, San Francisco, CA (US); **Richard P. Howarth**, San Francisco, CA (US); **Jonathan P. Ive**, San Francisco, CA (US); **Steve Jobs**, Palo Alto, CA (US); **Duncan Robert Kerr**, San Francisco, CA (US); **Shin Nishibori**, San Francisco, CA (US); **Matthew Dean Rohrbach**, San Francisco, CA (US); **Douglas B. Satzger**, Menlo Park, CA (US); **Calvin O. Seid**, Palo Alto, CA (US); **Christopher J. Stringer**, Portola Valley, CA (US); **Eugene Antony Whang**, San Francisco, CA (US); **Rico Zorkendorfer**, San Francisco, CA (US)

(73) Assignee: **Apple Inc.**, Cupertino, CA (US)

(**) Term: **14 Years**

(21) Appl. No.: **29/288,717**

(22) Filed: **Jun. 20, 2007**

Related U.S. Application Data

(63) Continuation of application No. 29/237,224, filed on Aug. 24, 2005, now Pat. No. Des. 548,745.

(51) **LOC (9) Cl.** **14-03**

(52) **U.S. Cl.** **D14/203.7; D14/496**

(58) **Field of Classification Search** D14/496, D14/401, 435, 474, 483, 217, 137, 138, 160, D14/168; 345/156, 169, 173-179, 905; 715/727-729, 864; 455/11.1, 773, 344-347, 455/93, 95; 370/342-344; 369/1, 2, 6, 12; 463/43-47; 273/148 B

See application file for complete search history.

(56) **References Cited**

U.S. PATENT DOCUMENTS

2,255,999 A 9/1941 Kuehner
D264,969 S 6/1982 McGourty
4,976,435 A 12/1990 Shaford et al.
5,192,082 A 3/1993 Inoue et al.

(Continued)

FOREIGN PATENT DOCUMENTS

CN 3260632D 10/2002

(Continued)

OTHER PUBLICATIONS

Apple iPod product sheet, Mac Mall.com (on line), (c) 2005-2005, (retrieved on Aug. 25, 2007) retrieved on internet <URL:http://www.Macmall.com, 2 pages.*

(Continued)

Primary Examiner — Prabhakar Deshmukh

(74) *Attorney, Agent, or Firm* — Sterne, Kessler, Goldstein & Fox P.L.L.C.

(57) **CLAIM**

We claim the ornamental design for a media device, substantially as shown and described.

DESCRIPTION

FIG. 1 is a perspective view of a media device showing our new design.

FIG. 2 is a front view for the media device.

FIG. 3 is a rear view for the media device.

FIG. 4 is a bottom view for the media device.

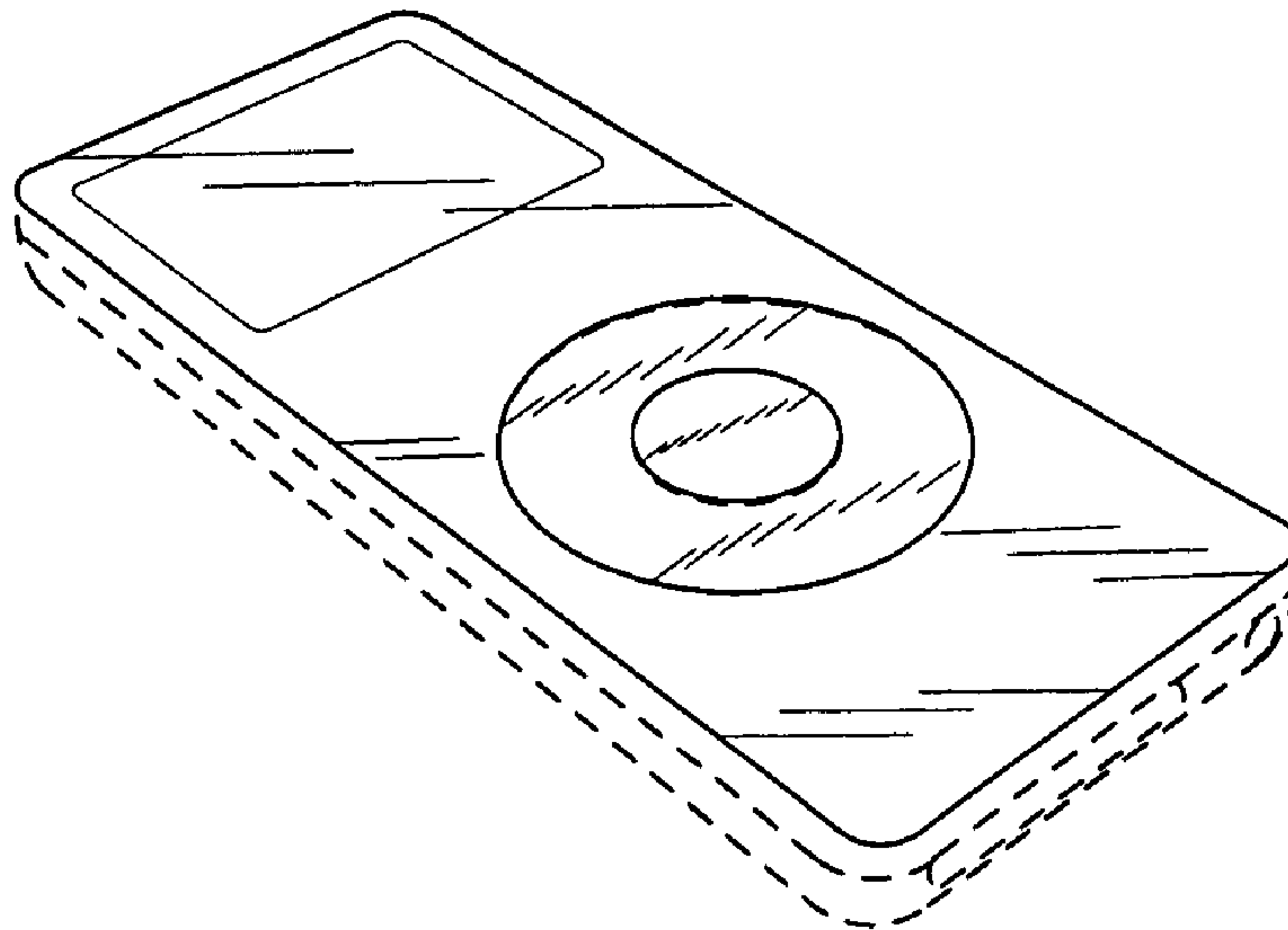
FIG. 5 is a top view for the media device.

FIG. 6 is a right side view for the media device; and,

FIG. 7 is a left side view for the media device.

The broken lines are for illustrative purpose only and form no part of the claimed design.

1 Claim, 2 Drawing Sheets



US D650,354 S

U.S. PATENT DOCUMENTS

5,661,632	A	8/1997	Register	
D412,940	S	8/1999	Kato et al.	
5,964,661	A	10/1999	Dodge	
D425,885	S	* 5/2000	Amron	D14/203.7
D430,169	S	8/2000	Scibora	
6,122,526	A	9/2000	Parulski et al.	
D432,523	S	10/2000	Grinkus et al.	
D437,860	S	2/2001	Suzuki et al.	
6,227,966	B1	5/2001	Yokoi	
6,254,477	B1	7/2001	Sasaki et al.	
6,262,785	B1	7/2001	Kim	
D448,810	S	10/2001	Goto	
D450,713	S	11/2001	Masamitsu et al.	
6,314,483	B1	11/2001	Goto et al.	
D452,250	S	12/2001	Chan	
D455,793	S	4/2002	Lin	
D464,196	S	10/2002	Parker	
D468,365	S	1/2003	Bransky et al.	
D469,109	S	1/2003	Andre et al.	
D472,245	S	3/2003	Andre et al.	
D473,207	S	4/2003	Tanio	
6,591,085	B1	7/2003	Grady	
D483,809	S	12/2003	Lim	
D487,192	S	3/2004	Farnham et al.	
D489,052	S	* 4/2004	Shiraki et al.	D14/156
D489,731	S	5/2004	Huang	
D490,068	S	5/2004	Chen	
D492,323	S	6/2004	Wang	
D494,188	S	* 8/2004	Huang	D14/496
D495,185	S	8/2004	Palmer	
D497,618	S	10/2004	Andre et al.	
D499,423	S	12/2004	Bahroocha et al.	
D499,424	S	12/2004	Bahroocha	
D506,476	S	6/2005	Andre et al.	
D507,277	S	7/2005	Sitoh	
6,920,344	B2	7/2005	Jang	
D509,833	S	9/2005	Yang	
D510,937	S	10/2005	Tsai	
D511,347	S	11/2005	Nanuki	
D512,403	S	12/2005	Yang	
6,977,675	B2	12/2005	Kotzin	
D513,512	S	1/2006	Tsai	
D514,120	S	1/2006	Chan	
D514,121	S	1/2006	Johnson	
D514,589	S	2/2006	Chen	
D515,099	S	2/2006	Lee	
D515,546	S	2/2006	Mu	
D516,576	S	3/2006	Ive et al.	
D517,088	S	3/2006	Chong et al.	
D518,290	S	4/2006	Andre et al.	
D519,523	S	4/2006	Chiu et al.	
D520,020	S	5/2006	Senda et al.	
7,046,230	B2	5/2006	Zadesky et al.	
2004/0224638	A1	* 11/2004	Fadell et al.	455/66.1

FOREIGN PATENT DOCUMENTS

CN	3260633D	10/2002
CN	3269799D	12/2002
CN	3286007D	4/2003
CN	3287344D	4/2003
CN	3331371D	10/2003
CN	3339759D	12/2003
CN	3375890D	6/2004
CN	3380859D	7/2004
CN	3389184D	9/2004
CN	3389185D	9/2004
CN	3453893D	6/2005
CN	3453894D	6/2005
CN	3453909D	6/2005
CN	3468582D	8/2005
CN	3468598D	8/2005
CN	3480659D	10/2005
CN	3484184D	11/2005

CN	3490573D	12/2005
CN	3490574D	12/2005
CN	3509995D	3/2006
CN	3513646D	3/2006
CN	3518964D	4/2006
CN	3518979D	4/2006
CN	3534319D	6/2006
CN	3543434D	7/2006
CN	3545312D	7/2006
CN	3549064D	8/2006

OTHER PUBLICATIONS

Apple iPod U2 special edition (20GB) product sheet, Selector.com (on line) (c) 1998-2004 (retrieved on Aug. 25, 2007) retrieved on internet<URL:http://www.selectmore.com, 5 pages.*

Apple iPod U2 special edition black, product sheet, Winbuyer.com (on line), retrieved on Aug. 25, 2007) retrieved on internet<URL:http://www.winbuyer.com, 4 pages.*

Bplack iPod Player, product shett, Satsig.ntblack-ipod.htm (c) 2007, retrieve on inetnet on Aug. 8, 2007, 1 page.*

http://en.wikipedia.org/wiki/List_of_iPod_models, List ofiPod models-Wikipedia, the free encyclopedia, retrievd from internet Oct. 24, 2008, third generation Ipod, release date Apr. 28, 2003, 11 pages.*

http://en.wikipedia.org/wiki/File:Ipod_backlight_transparent.png, enlarged copy of the thirs generation Ipod as lised above under (U), File:Ipod backlight transparent.png Apr. 28, 2003, 1 page.*

Griffin iClear Hard-Shell Case for 80/120/160 GB iPod classic 6G (clear), first available date Jun. 17, 2003. http://www.amazon.com/Griffin-iClear-Hard-Shell-classic-Clear/dp/B000VXWO9Q/ref=pd_sim_a_6 Retreated from internet on Jul. 9, 2010.*

http://www.amazon.com/Belkin-Silicone-Sleeve-classic-Black/dp/B000WW1VAE/ref=pd_bxgy_e_img_a retreated from internet on Jul. 28, 2010. Date first available at Amazon.com : Oct. 2, 2001.*

http://www.google.com/imgres?imgurl=http://ecx.images-amazon.com/images/I/41E0649IZkL._SL500_AA300_.jpg&imgrefurl=http://www.amazon.com/Classic-Player-Transparent-flexibleSilicone/dp/B000T336MC&usg=__DPGRwAT6d8zS0JmN3sRxtlhX6AE=&h=300&w=300&sz=10&hl=en&start=14&tbnid=Cp0c9RGwQzdF7M:&tbnh=116&tbnw=116&prev=/images%3Fq%3Damazon.com/classic%2BiPod%26.*

Page 1 is retreated from internet on Aug. 17, 2010. Date first available at Amazon.com : Oct. 2, 2001.*

http://www.google.com/imgres?imgurl=http://ecx.images-amazon.com/images/I/41vwCRiNYOL._AA300_.jpg&imgrefurl=http://www.amazon.com/Classic-Silicone-Exercise-Armband-Protector/dp/B001N4ZNCC&usg=__ylaNVQE4NPidXiT2W-68KSqNkM8=&h=300&W=300&sz=10&hl=en&start=5&tbnid=UqwImq35FAPizM:&tbnh=116&tbnw=116&prev=/images%3Fq%3Damazon.com/classic%2Bipod%26hl%3Den%.*

Page 2 is retreated from internet on Aug. 18, 2010, Date first available at Amazon.com : Jun. 23, 2004.*

U.S. Appl. No. 29/237,096, filed Aug. 24, 2005.

U.S. Appl. No. 29/237,229, filed Aug. 24, 2005.

U.S. Appl. No. 29/237,226, filed Aug. 24, 2005.

U.S. Appl. No. 29/237,235, filed Aug. 24, 2005.

U.S. Appl. No. 29/237,231, filed Aug. 24, 2005.

U.S. Appl. No. 29/255,274, filed Mar. 6, 2006.

U.S. Appl. No. 29/237,224, filed Aug. 24, 2005.

U.S. Appl. No. 29/237,228, filed Aug. 24, 2005.

U.S. Appl. No. 29/237,225, filed Aug. 24, 2005.

U.S. Appl. No. 29/237,230, filed Aug. 24, 2005.

U.S. Appl. No. 29/255,294, filed Mar. 6, 2005.

U.S. Appl. No. 29/237,090, filed Aug. 24, 2005.

U.S. Appl. No. 29/224,220 entitled "Media Device" filed Feb. 25, 2005.

* cited by examiner

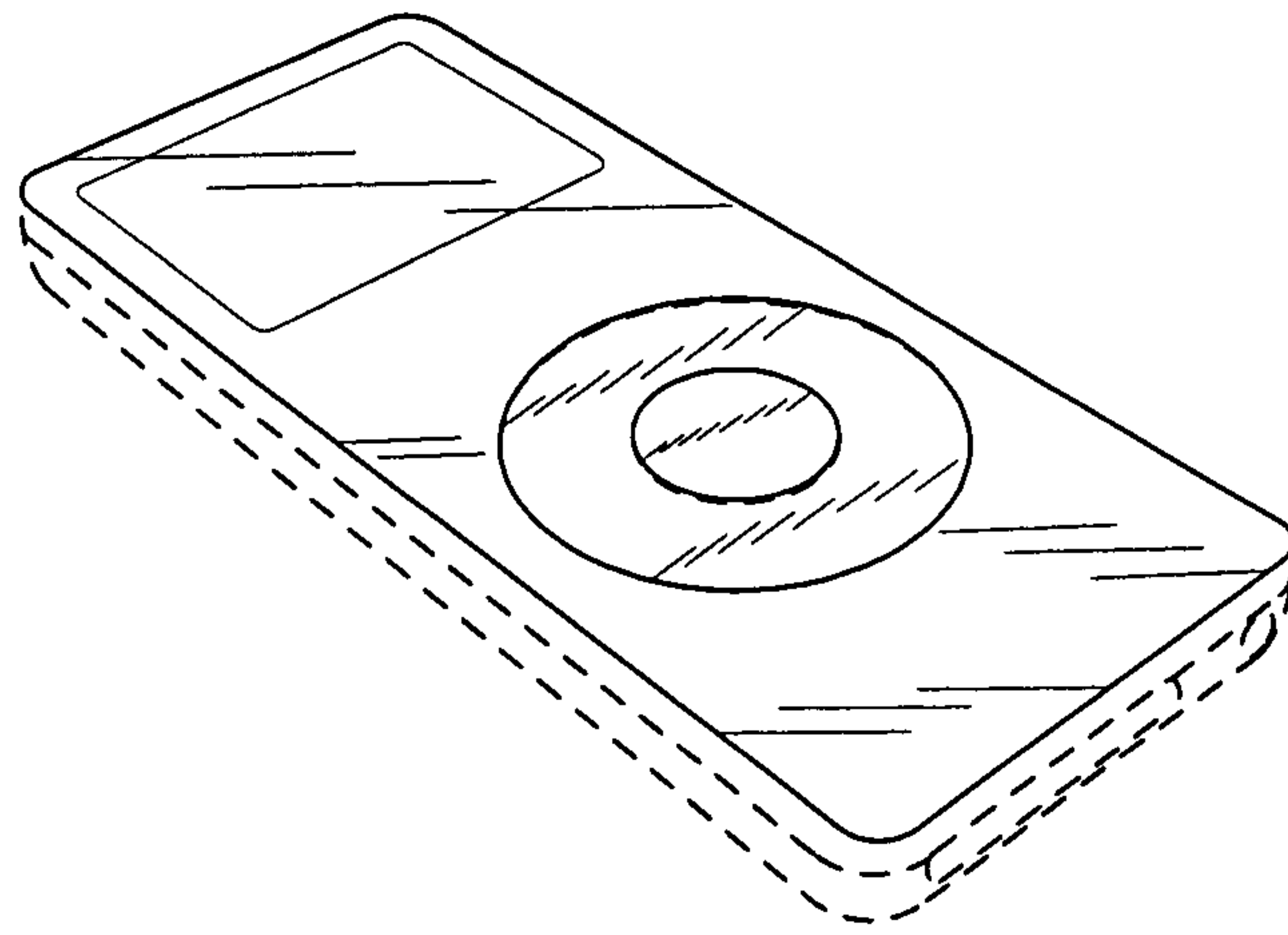


FIG. 1

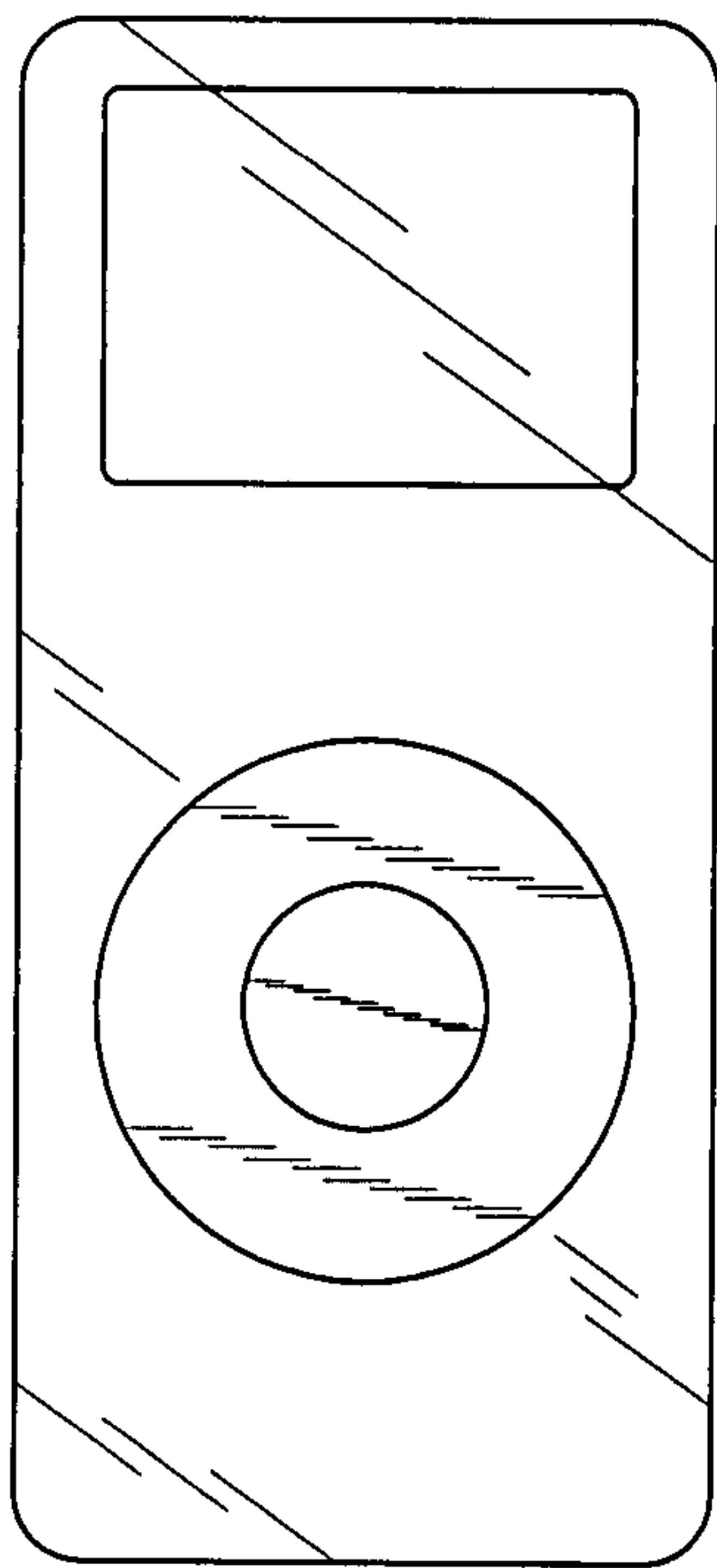


FIG. 2

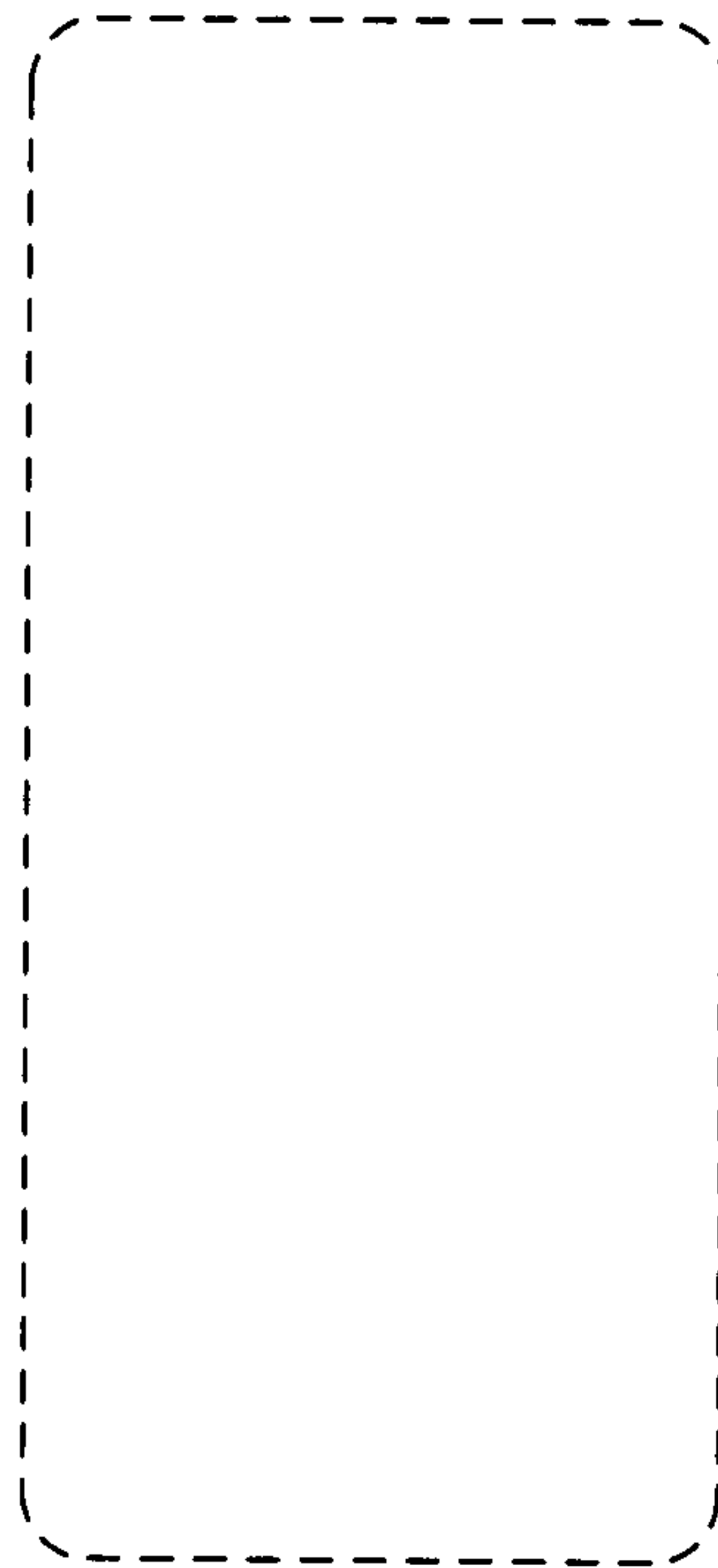


FIG. 3

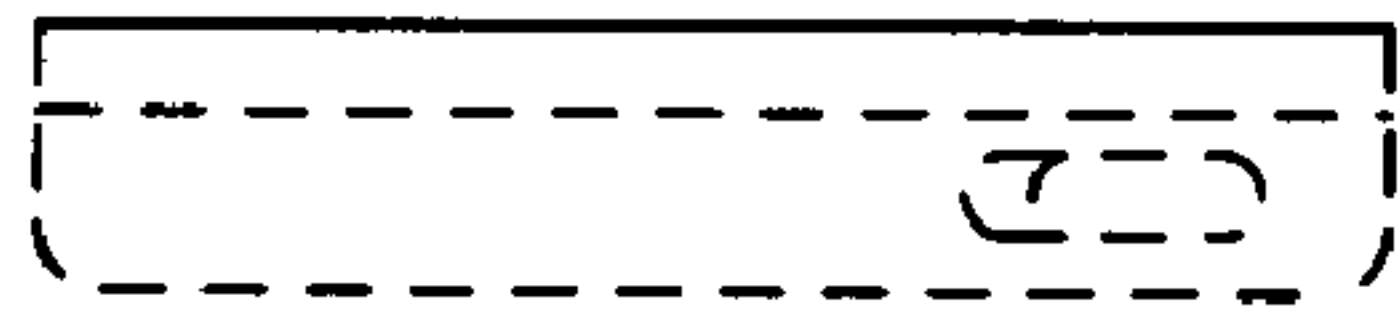


FIG. 4

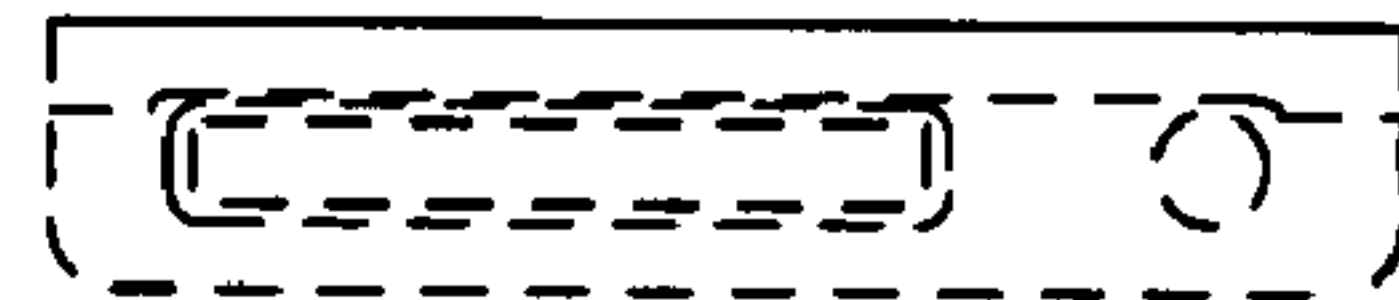


FIG. 5

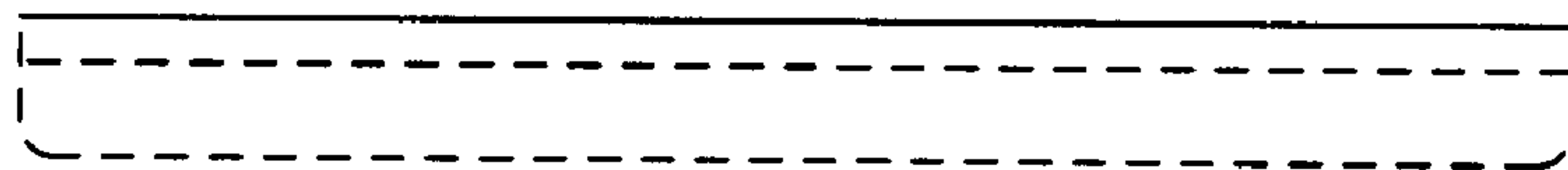


FIG. 6

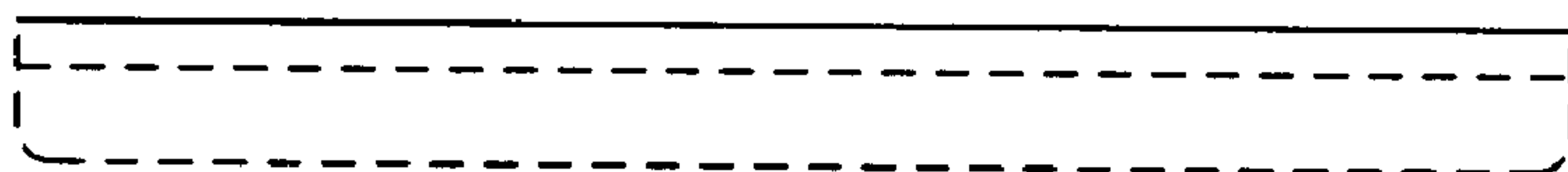


FIG. 7