

US00D650349S

(12) **United States Design Patent**
Tom et al.

(10) **Patent No.:** **US D650,349 S**

(45) **Date of Patent:** **** *Dec. 13, 2011**

(54) **HANDSET**

(75) Inventors: **Travis Tom**, Newbury Park, CA (US);
Boris Landwehr, Thousand Oaks, CA (US)

(73) Assignee: **Nokia Corporation**, Espoo (FI)

(*) Notice: This patent is subject to a terminal disclaimer.

(**) Term: **14 Years**

(21) Appl. No.: **29/392,000**

(22) Filed: **May 16, 2011**

Related U.S. Application Data

(63) Continuation of application No. 29/376,465, filed on Oct. 7, 2010, now Pat. No. Des. 637,992.

(51) **LOC (9) Cl.** **14-03**

(52) **U.S. Cl.** **D14/138 G**

(58) **Field of Classification Search** D14/138 R,
D14/138 AD, 138 AC, 138 C, 138 G, 191,
D14/203.1-203.8, 496, 138 AA, 138 AB,
D14/137, 147, 218, 341-347, 247-248; D10/65,
D10/78, 104; D13/168; D18/7; 455/566,
455/575.1, 575.3, 575.4

See application file for complete search history.

(56) **References Cited**

U.S. PATENT DOCUMENTS

D423,468 S	4/2000	Jenkins	
D508,473 S	8/2005	Lee et al.	
D509,203 S	9/2005	Bertrand et al.	
D517,038 S	3/2006	Lee et al.	
D526,984 S	8/2006	Kim et al.	
D527,364 S	8/2006	Lee et al.	
D535,305 S	1/2007	Lee	
D543,193 S *	5/2007	Chung et al. D14/138 AD
D547,330 S	7/2007	Lee	
D554,635 S	11/2007	Chung et al.	
D555,137 S	11/2007	Kim et al.	

D562,795 S	2/2008	Nara
D571,763 S	6/2008	Lee
D578,989 S	10/2008	Kim et al.
D580,397 S	11/2008	Seo et al.
D585,411 S	1/2009	Eaton
D591,709 S	5/2009	Rihu
D597,537 S	8/2009	Eaton
D598,409 S	8/2009	Jung et al.

(Continued)

FOREIGN PATENT DOCUMENTS

CN 301097912 2/2009

OTHER PUBLICATIONS

Motorola Photon 4G, announced Jun. 2011, [online], [retrieved on Aug. 19, 2011]. Retrieved from Internet, <URL: http://www.gsmarena.com>.*

Nokia X7-00, announced Apr. 2011, [online], [retrieved on Apr. 25, 2011]. Retrieved from Internet, <URL: http://www.gsmarena.com>.*

(Continued)

Primary Examiner — Bridget L Eland

(74) *Attorney, Agent, or Firm* — Banner & Witcoff, Ltd.

(57) **CLAIM**

The ornamental design for a handset, as shown and described.

DESCRIPTION

FIG. 1 is a perspective view of a handset showing our new design;

FIG. 2 is a front view thereof;

FIG. 3 is a rear view thereof;

FIG. 4 is a left side view thereof;

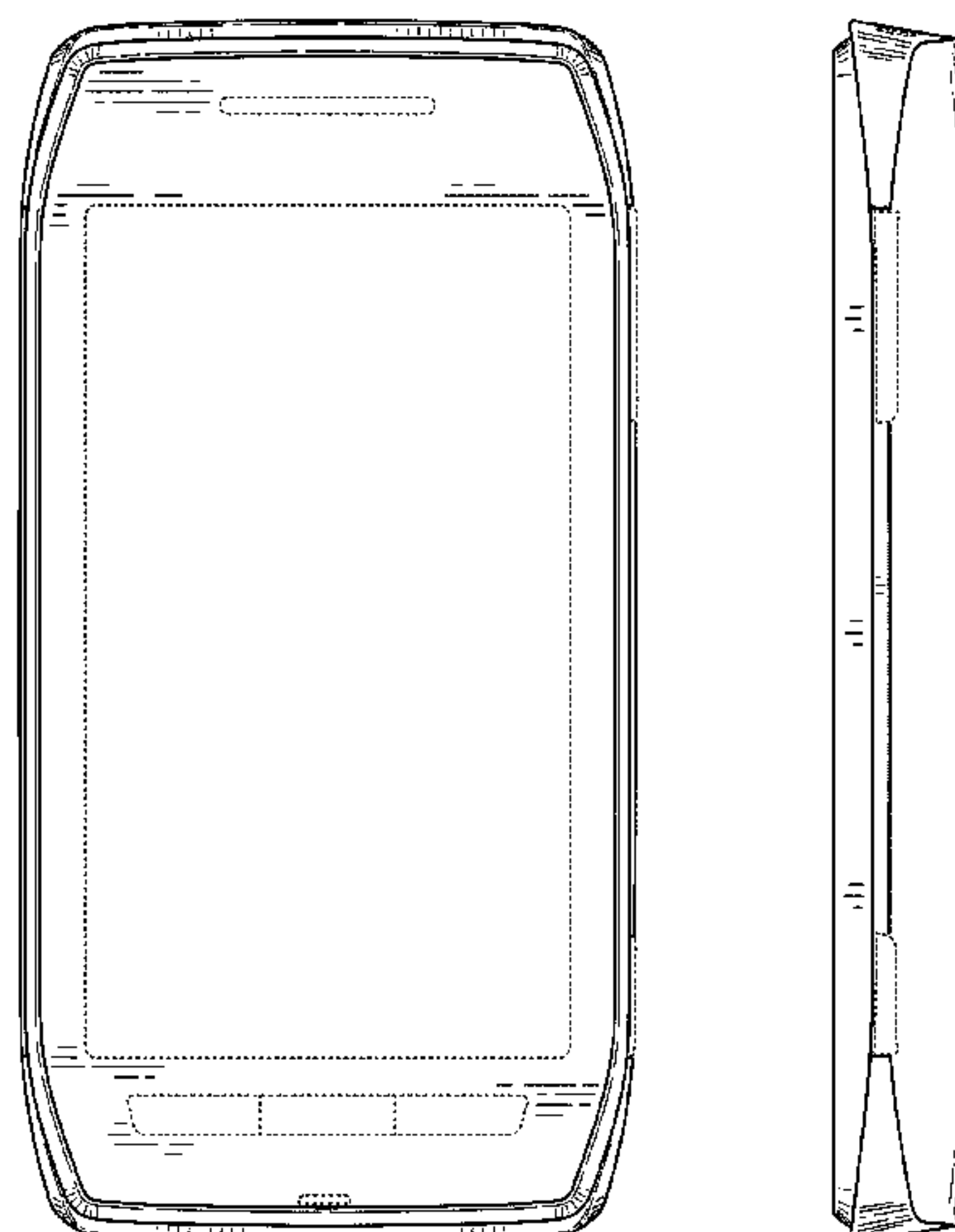
FIG. 5 is a right side view thereof;

FIG. 6 is a top view thereof; and,

FIG. 7 is a bottom view thereof.

The broken lines immediately adjacent the shaded areas represent the bounds of the claimed design; the broken lines form no part of the claimed design.

1 Claim, 5 Drawing Sheets



U.S. PATENT DOCUMENTS

D602,463 S 10/2009 Eguchi
 D606,507 S 12/2009 Kim et al.
 D617,755 S 6/2010 Leinvuo
 D618,655 S 6/2010 Sandberg
 D620,467 S 7/2010 Aarras
 D622,250 S 8/2010 Kwon et al.
 D625,700 S 10/2010 Sandberg et al.
 D626,109 S 10/2010 Kim et al.
 D629,376 S 12/2010 Choi et al.
 D631,025 S 1/2011 Yeh et al.
 D633,888 S * 3/2011 Eguchi D14/138 AD
 D634,290 S * 3/2011 Landwehr D14/138 G
 D634,294 S * 3/2011 Dhondt D14/138 AD
 D634,317 S * 3/2011 Buckle et al. D14/341
 D634,318 S * 3/2011 Buckle et al. D14/341
 D635,954 S * 4/2011 Aarras D14/138 G
 D637,992 S * 5/2011 Tom et al. D14/138 G
 2005/0043063 A1 2/2005 Dinn
 2009/0163258 A1 6/2009 Vesamaki
 2009/0186663 A1 7/2009 Griffin et al.

OTHER PUBLICATIONS

Nokia N950, announced Jun. 2011, [online], [retrieved on Aug. 19, 2011]. Retrieved from Internet, <URL: <http://www.gsmarena.com>>.*
 ZTE N290, announced 2010, [online], [retrieved on Oct. 29, 2010]. Retrieved from Internet, <URL: <http://www.gsmarena.com>>.*
 LG GC900 Viewty Smart, announced Apr. 2009, [online], [retrieved on May 16, 2011]. Retrieved from Internet, <URL: <http://www.gsmarena.com>>.
 Nokia N8, announced Apr. 2010, [online], [retrieved on May 16, 2011]. Retrieved from Internet, <URL: <http://www.gsmarena.com>>.
 Nokia E7, announced Sep. 2010, [online], [retrieved on May 16, 2011]. Retrieved from Internet, <URL: <http://www.gsmarena.com>>.
 Sony Ericsson XPERIA X2, announced Sep. 2009, [online], [retrieved on May 16, 2011]. Retrieved from Internet, <URL: <http://www.gsmarena.com>>.

* cited by examiner

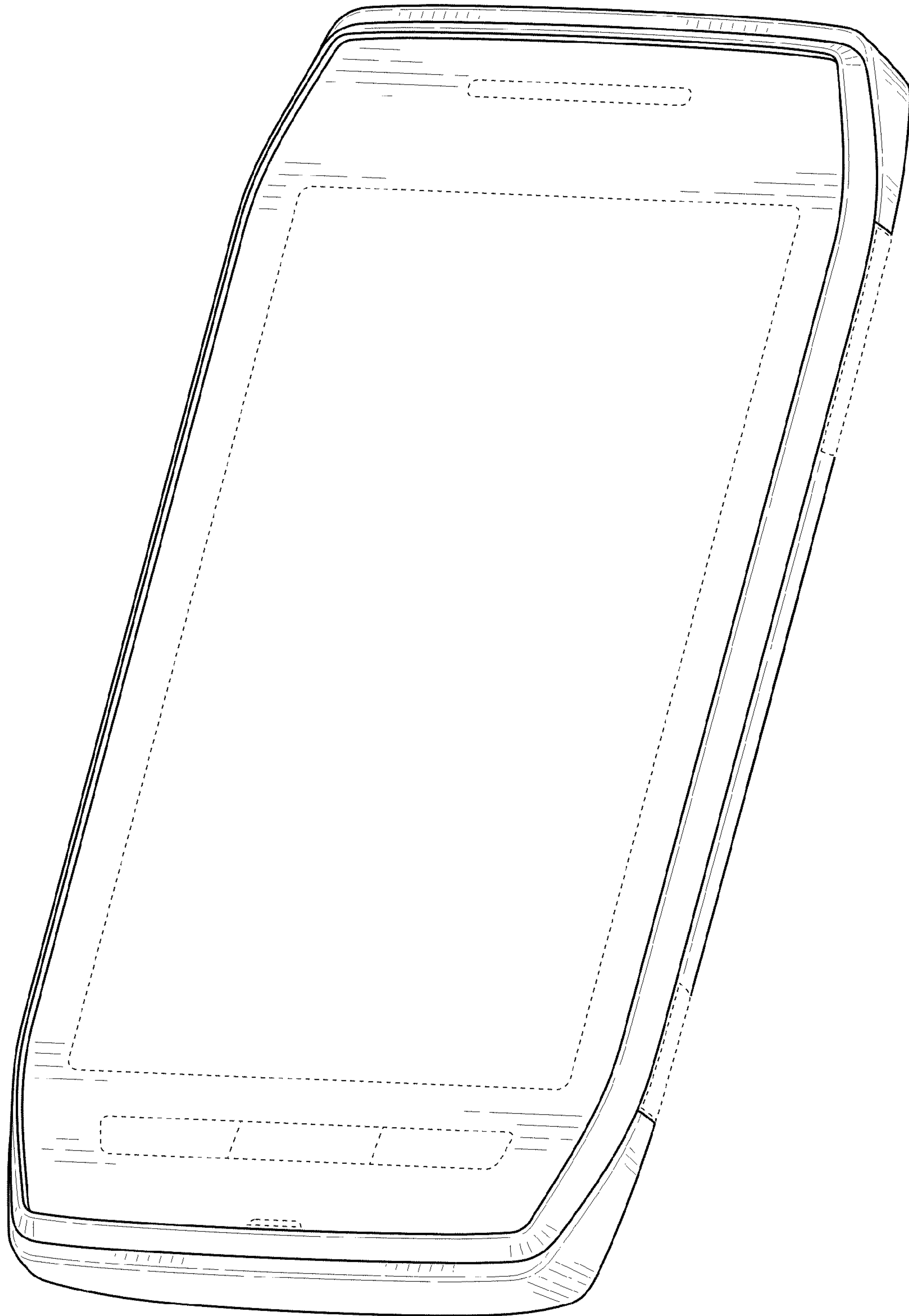


FIG. 1

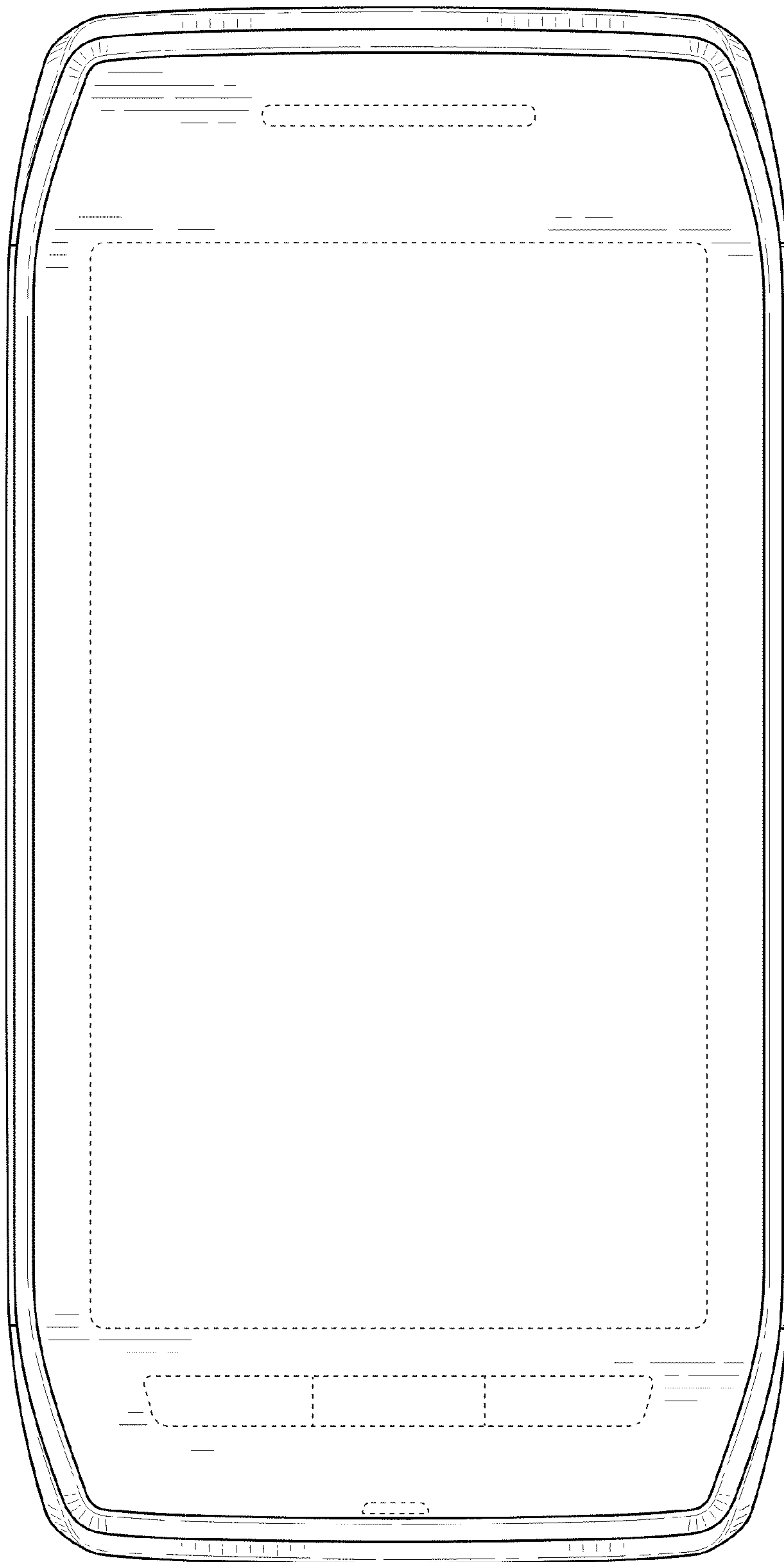


FIG. 2

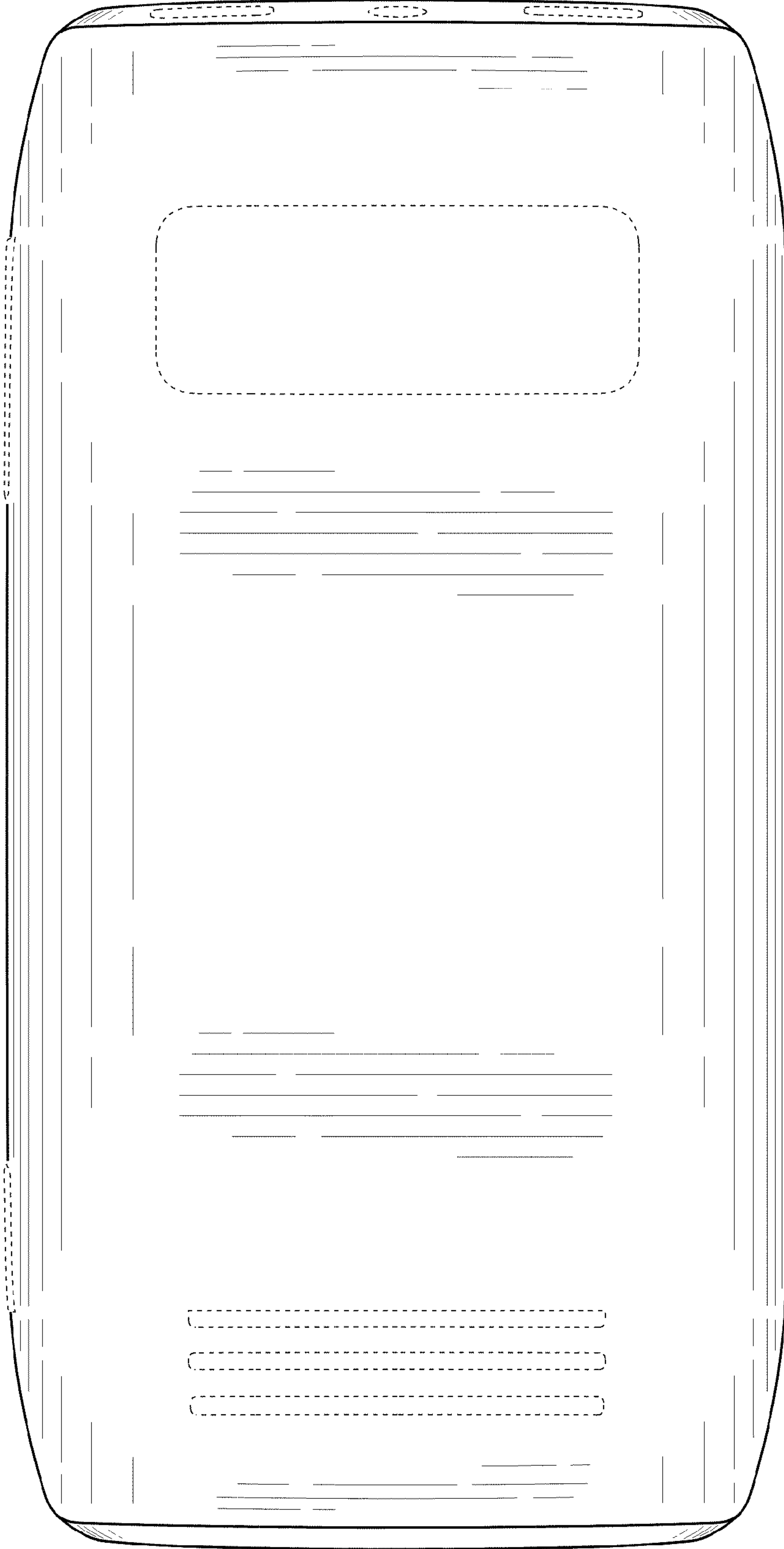


FIG. 3

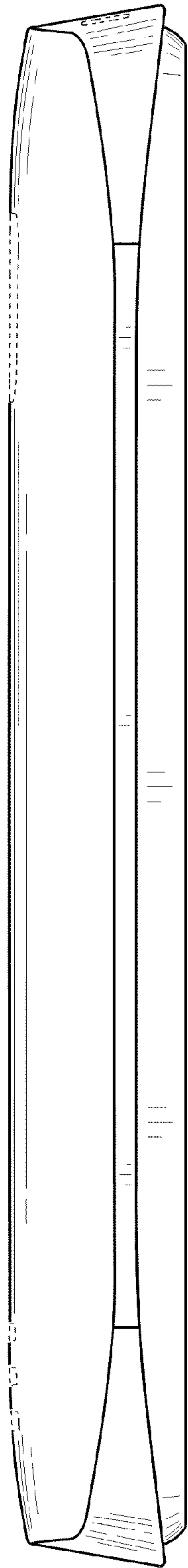


FIG. 4

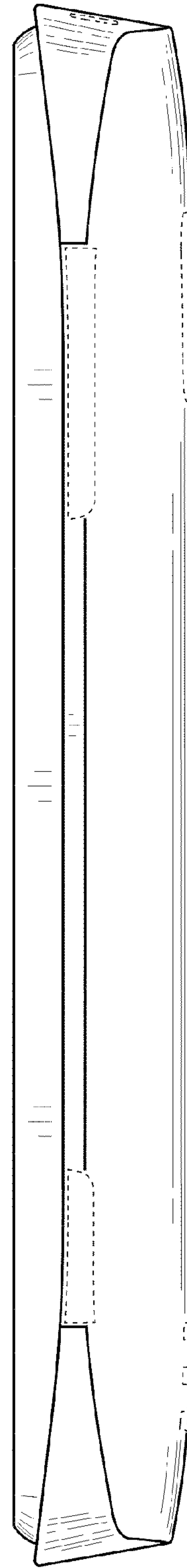


FIG. 5

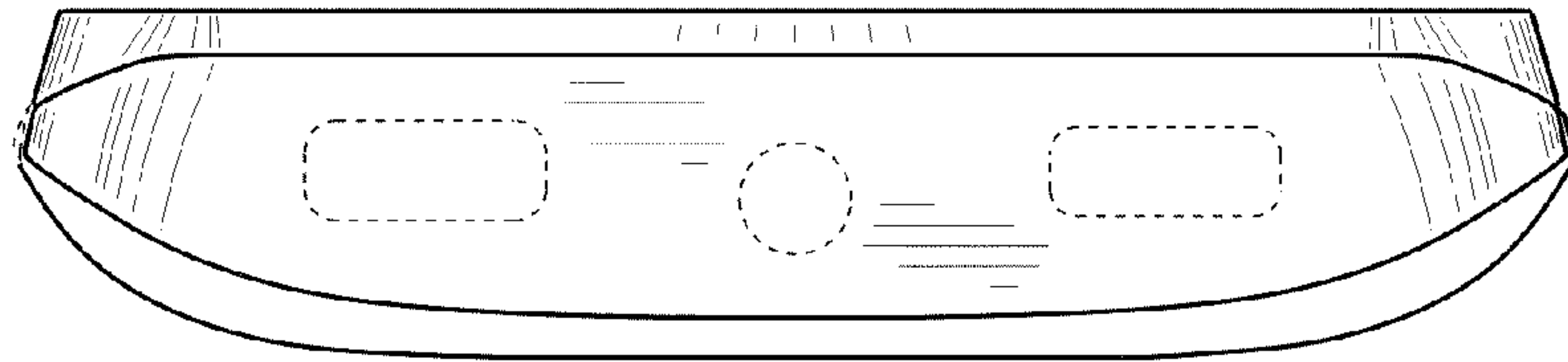


FIG. 6

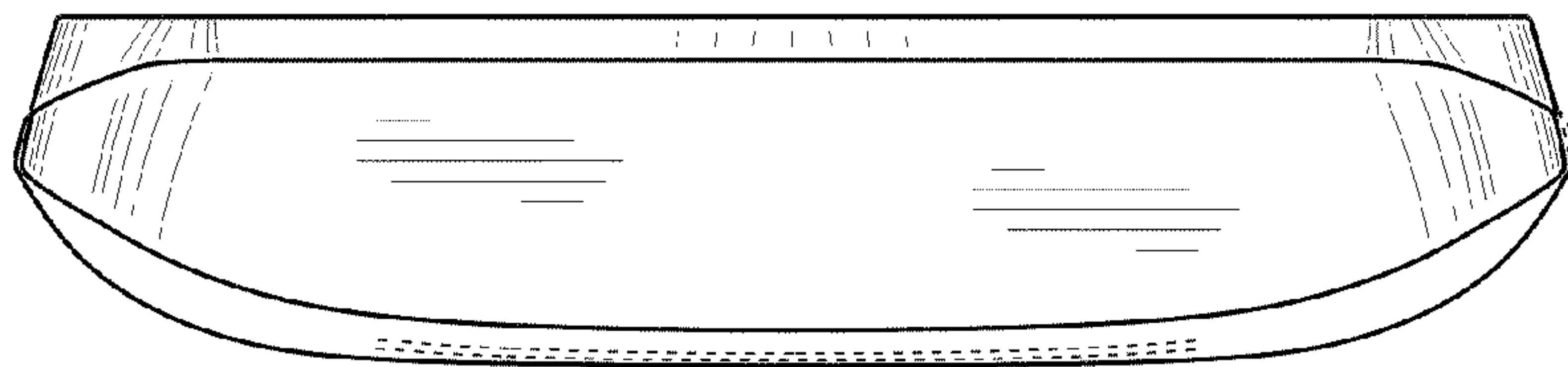


FIG. 7