



US00D650344S

(12) **United States Design Patent**
Takahashi

(10) **Patent No.:** **US D650,344 S**

(45) **Date of Patent:** **** Dec. 13, 2011**

(54) **VACUUM CONTACT PAD**

(75) Inventor: **Tamami Takahashi**, Ohta-ku (JP)

(73) Assignee: **Ebara Corporation**, Tokyo (JP)

(**) Term: **14 Years**

(21) Appl. No.: **29/335,604**

(22) Filed: **Apr. 17, 2009**

(30) **Foreign Application Priority Data**

Oct. 20, 2008 (JP) 2008-26900

(51) **LOC (9) Cl.** **13-03**

(52) **U.S. Cl.** **D13/182**

(58) **Field of Classification Search** 279/3; 269/21;
29/559; 438/106; 451/388; D34/28; D13/182,
D13/199; D32/1

See application file for complete search history.

(56) **References Cited**

U.S. PATENT DOCUMENTS

3,627,338	A *	12/1971	Thompson	279/3
4,603,867	A *	8/1986	Babb et al.	279/3
4,869,481	A *	9/1989	Yabu et al.	269/21
D350,942	S *	9/1994	Pellet et al.	D13/182
D356,417	S *	3/1995	Petre	D34/35
D363,464	S *	10/1995	Fukasawa	D13/182
5,707,051	A *	1/1998	Tsuji	269/21
D411,516	S *	6/1999	Imafuku et al.	D13/182
6,164,633	A *	12/2000	Mulligan et al.	269/21
6,196,532	B1 *	3/2001	Otwell	269/21
D453,402	S *	2/2002	Kato et al.	D32/1
6,500,059	B2 *	12/2002	Chang et al.	451/388
6,729,947	B1 *	5/2004	Schutte et al.	451/388
D548,705	S *	8/2007	Hayashi	D13/182
D552,565	S *	10/2007	Nakamura et al.	D13/182
D587,222	S *	2/2009	Sasaki et al.	D13/182
D614,593	S *	4/2010	Lee et al.	D13/182

D616,389	S *	5/2010	Takahashi	D13/182
D616,394	S *	5/2010	Sato	D13/182
D625,748	S *	10/2010	Yoshino	D15/199
D633,452	S *	3/2011	Namiki et al.	D13/182
2007/0222131	A1 *	9/2007	Fukumoto et al.	269/21
2008/0045017	A1 *	2/2008	Schutte et al.	438/692
2008/0051018	A1 *	2/2008	Schutte et al.	451/388
2010/0117279	A1 *	5/2010	Vekstein et al.	269/21

FOREIGN PATENT DOCUMENTS

JP	2006310697	A	11/2006
JP	2007-250601	A	9/2007
WO	2006/112531	A1	10/2006

OTHER PUBLICATIONS

Japanese Office Action Corresponding to Japanese Patent Application No. 2008-330053, dated Dec. 8, 2010.

* cited by examiner

Primary Examiner — Ruth McInroy

(74) *Attorney, Agent, or Firm* — Sughrue Mion, PLLC

(57) **CLAIM**

The ornamental design for a vacuum contact pad, as shown and described.

DESCRIPTION

FIG. 1 is a top plan view of a vacuum contact pad showing my new design;
FIG. 2 is a front elevation view thereof, with an accompanying magnified portion of the design;
FIG. 3 is a rear view thereof
FIG. 4 is right side view thereof;
FIG. 5 is a left side view thereof;
FIG. 6 is an enlarged view of FIG. 1;
FIG. 7 is a bottom view thereof; and,
FIG. 8 is an enlarged top, front and side perspective view thereof.

1 Claim, 7 Drawing Sheets

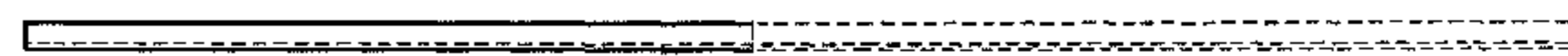
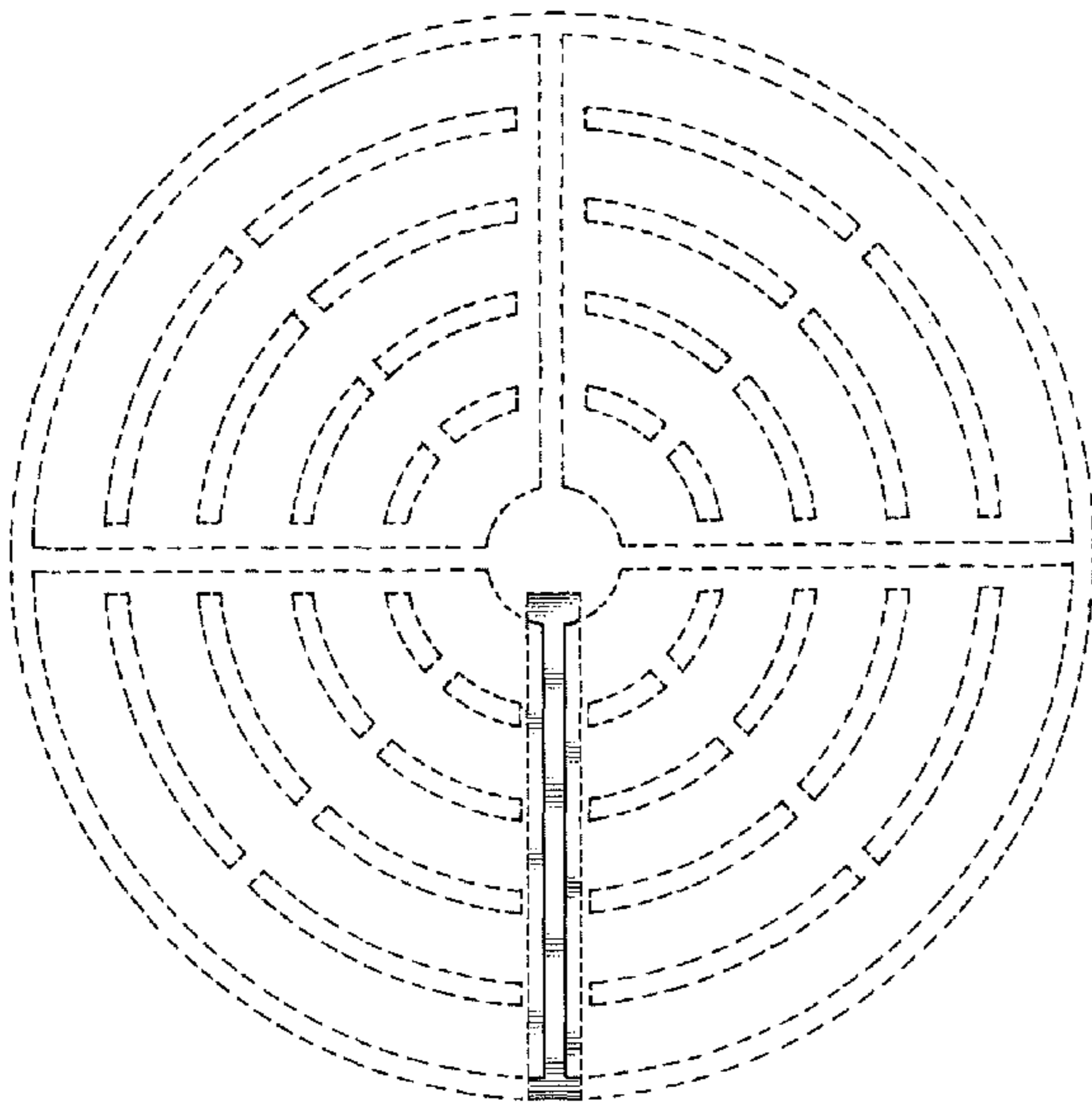


FIG.1

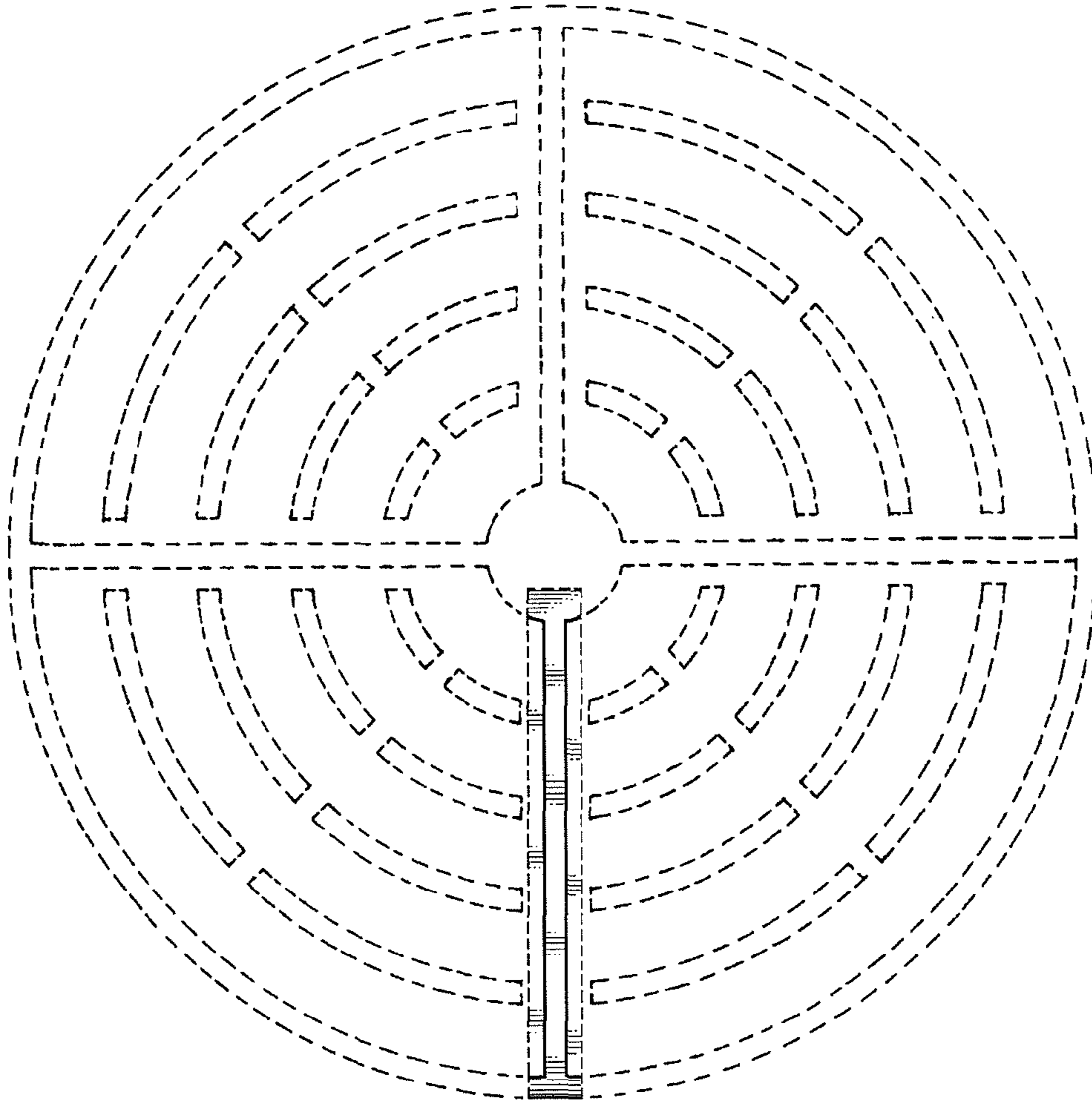


FIG.2

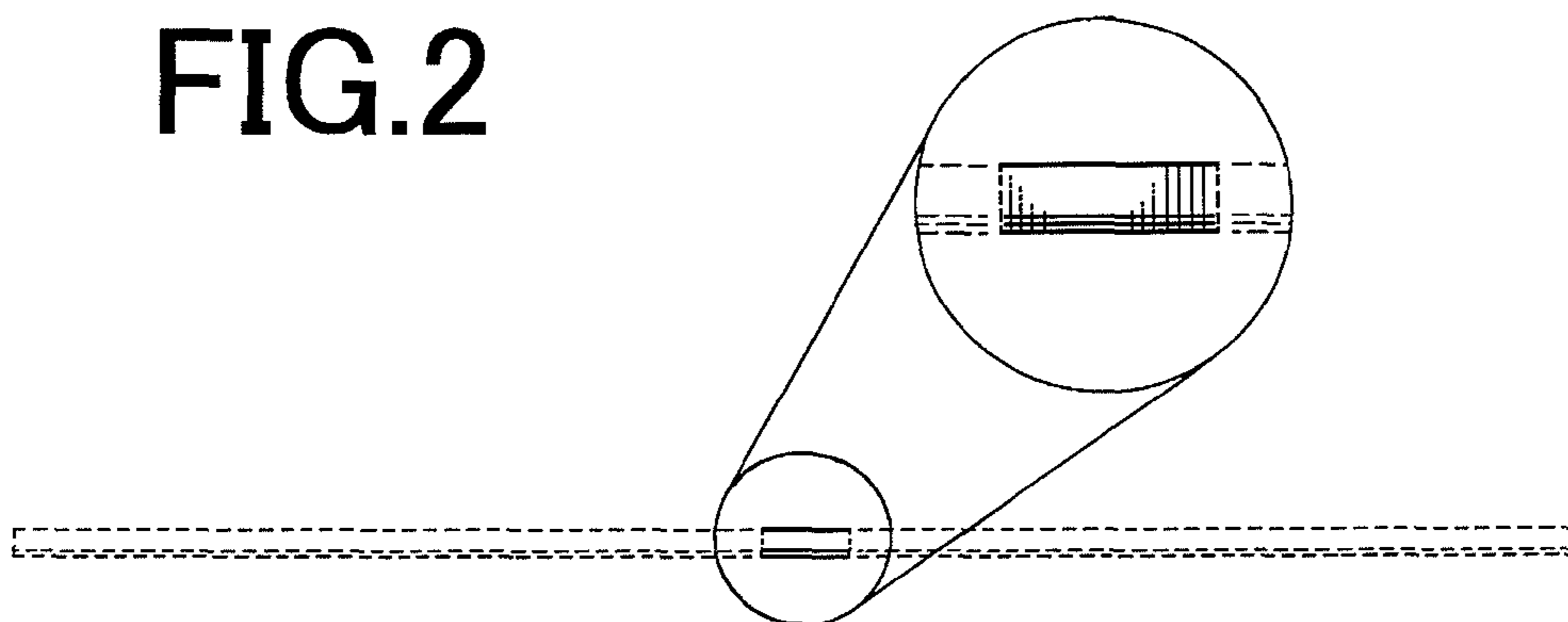


FIG.3

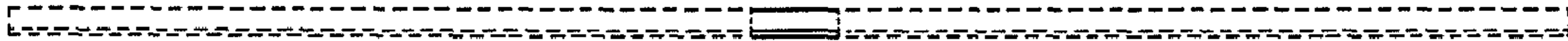


FIG.4

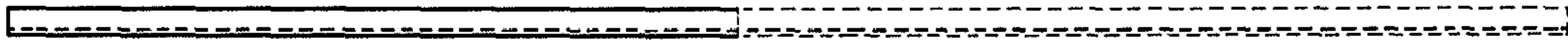


FIG. 5

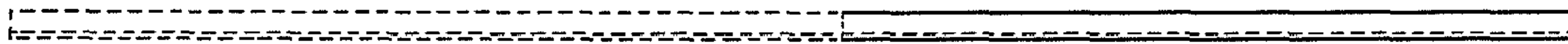


FIG. 6

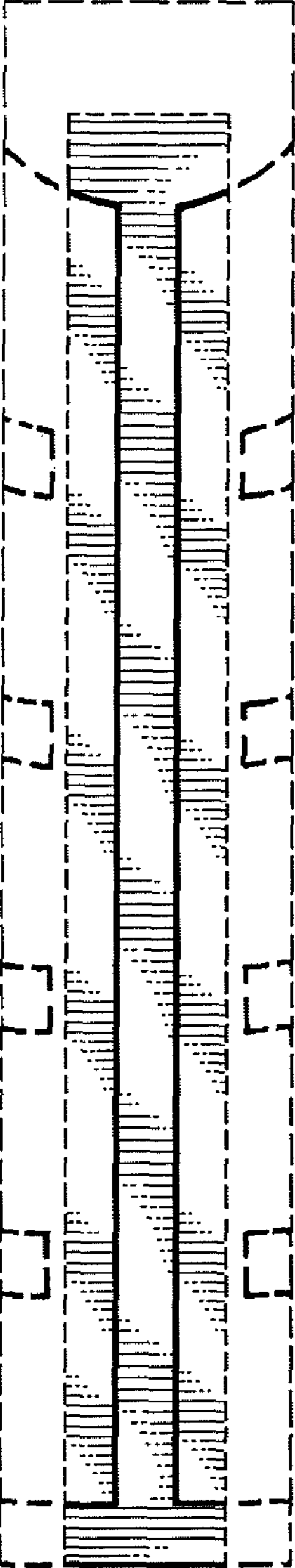


FIG. 7

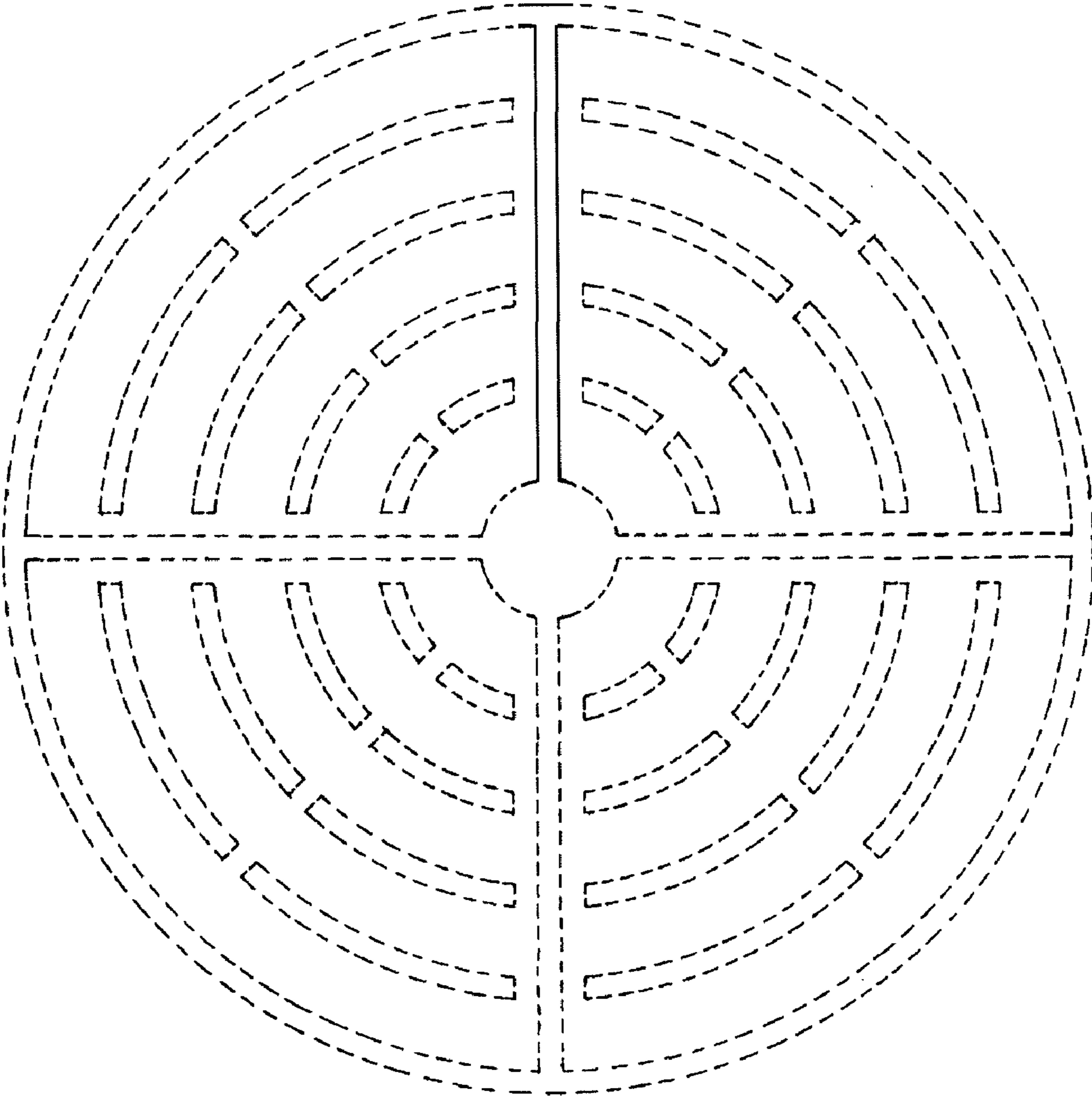


FIG.8

