



US00D650340S

(12) **United States Design Patent**
Lai et al.

(10) **Patent No.:** **US D650,340 S**

(45) **Date of Patent:** **** *Dec. 13, 2011**

- (54) **LED**
- (75) Inventors: **Chih-Ming Lai**, Miao-Li Hsien (TW);
Ming-Young Shiao, Miao-Li Hsien (TW)
- (73) Assignee: **Foxsemicon Integrated Technology, Inc.**, Chu-Nan, Miao-Li Hsien (TW)
- (*) Notice: This patent is subject to a terminal disclaimer.
- (**) Term: **14 Years**
- (21) Appl. No.: **29/360,298**
- (22) Filed: **Apr. 22, 2010**
- (30) **Foreign Application Priority Data**

Feb. 1, 2010 (CN) 2010 3 0302901

- (51) **LOC (9) Cl.** **13-03**
- (52) **U.S. Cl.** **D13/180**
- (58) **Field of Classification Search** D13/180;
D26/2; D5/2, 6, 51, 60, 61, 63; D20/22,
D20/28; D25/153, 155, 157; 257/79, 80,
257/81, 88, 89, 95, 98, 99, 100, E33.058;
313/483, 498, 500; 362/555, 800
See application file for complete search history.

(56) **References Cited**

U.S. PATENT DOCUMENTS

168,063	A *	9/1875	Taylor	220/62
D172,110	S *	5/1954	Rutrick	D5/63
3,564,770	A *	2/1971	Korbelic	49/38
3,800,353	A *	4/1974	Roth	15/184
D391,647	S *	3/1998	von Langsdorff et al.	...	D25/157
D428,930	S *	8/2000	Dunlap	D20/22
D428,931	S *	8/2000	Zulch	D20/22
6,259,608	B1 *	7/2001	Berardinelli et al.	361/777
D490,784	S *	6/2004	Ishida	D13/180
D494,998	S *	8/2004	Blanke, Jr.	D19/3

D506,449	S *	6/2005	Hoshiba	D13/180
D508,233	S *	8/2005	Kasae et al.	D13/180
D509,807	S *	9/2005	Ishida	D13/180
D510,913	S *	10/2005	Sumitani	D13/180
D511,147	S *	11/2005	Suenaga	D13/180
D511,148	S *	11/2005	Ishida	D13/180
D515,044	S *	2/2006	Ishida	D13/180
D526,971	S *	8/2006	Inoue	D13/180
D528,515	S *	9/2006	Sumitani	D13/180
D530,684	S *	10/2006	Tzeng	D13/180
D535,263	S *	1/2007	Sumitani	D13/180
D539,760	S *	4/2007	Sumitani	D13/180
D541,759	S *	5/2007	Shin et al	D13/180

(Continued)

Primary Examiner — Selina Sikder

(74) *Attorney, Agent, or Firm* — Altis Law Group, Inc.

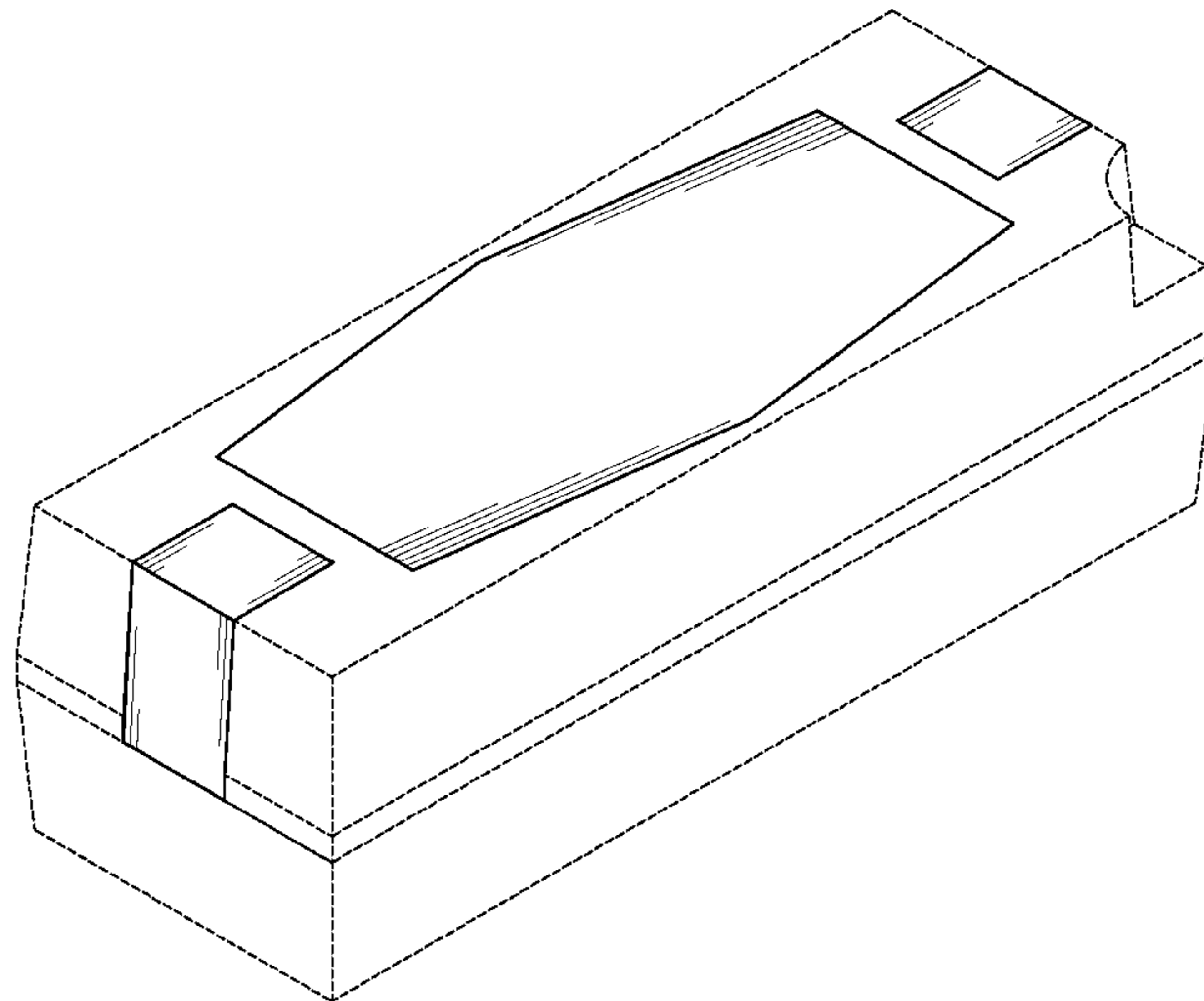
(57) **CLAIM**

The ornamental design for an LED, as shown and described.

DESCRIPTION

FIG. 1 is a perspective view of an LED in accordance with a first embodiment of our new design.
 FIG. 2 is a front elevational view of FIG. 1.
 FIG. 3 is a rear elevational view of FIG. 1.
 FIG. 4 is a left-side, elevational view of FIG. 1.
 FIG. 5 is a right-side, elevational view of FIG. 1.
 FIG. 6 is a top plan view of FIG. 1.
 FIG. 7 is a bottom plan view of FIG. 1.
 FIG. 8 is a perspective view of an LED in accordance with a second embodiment of our new design.
 FIG. 9 is a front elevational view of FIG. 8.
 FIG. 10 is a rear elevational view of FIG. 8.
 FIG. 11 is a left-side, elevational view of FIG. 8.
 FIG. 12 is a right-side, elevational view of FIG. 8.
 FIG. 13 is a top plan view of FIG. 8; and,
 FIG. 14 is a bottom plan view of FIG. 8.
 The broken line showing of the environment is for illustrative purpose only and forms no part of the claimed design.

1 Claim, 14 Drawing Sheets



US D650,340 S

Page 2

U.S. PATENT DOCUMENTS

D550,169 S *	9/2007	Wu et al.	D13/180	D601,519 S *	10/2009	Sumitani	D13/180
D553,103 S *	10/2007	Sumitani	D13/180	2005/0121688 A1 *	6/2005	Nagai et al.	257/99
D562,269 S *	2/2008	Wu et al.	D13/180	2008/0237621 A1 *	10/2008	Takemoto	257/98
D589,009 S *	3/2009	Sumitani	D13/180	2008/0246045 A1 *	10/2008	Song	257/98
D593,515 S *	6/2009	Nakagawa	D13/180	2008/0315227 A1 *	12/2008	Bogner et al.	257/98
D595,247 S *	6/2009	Kim et al.	D13/180	2009/0166656 A1 *	7/2009	Yu et al.	257/98
D599,749 S *	9/2009	Bando	D13/180	2009/0261373 A1 *	10/2009	Shum et al.	257/98

* cited by examiner

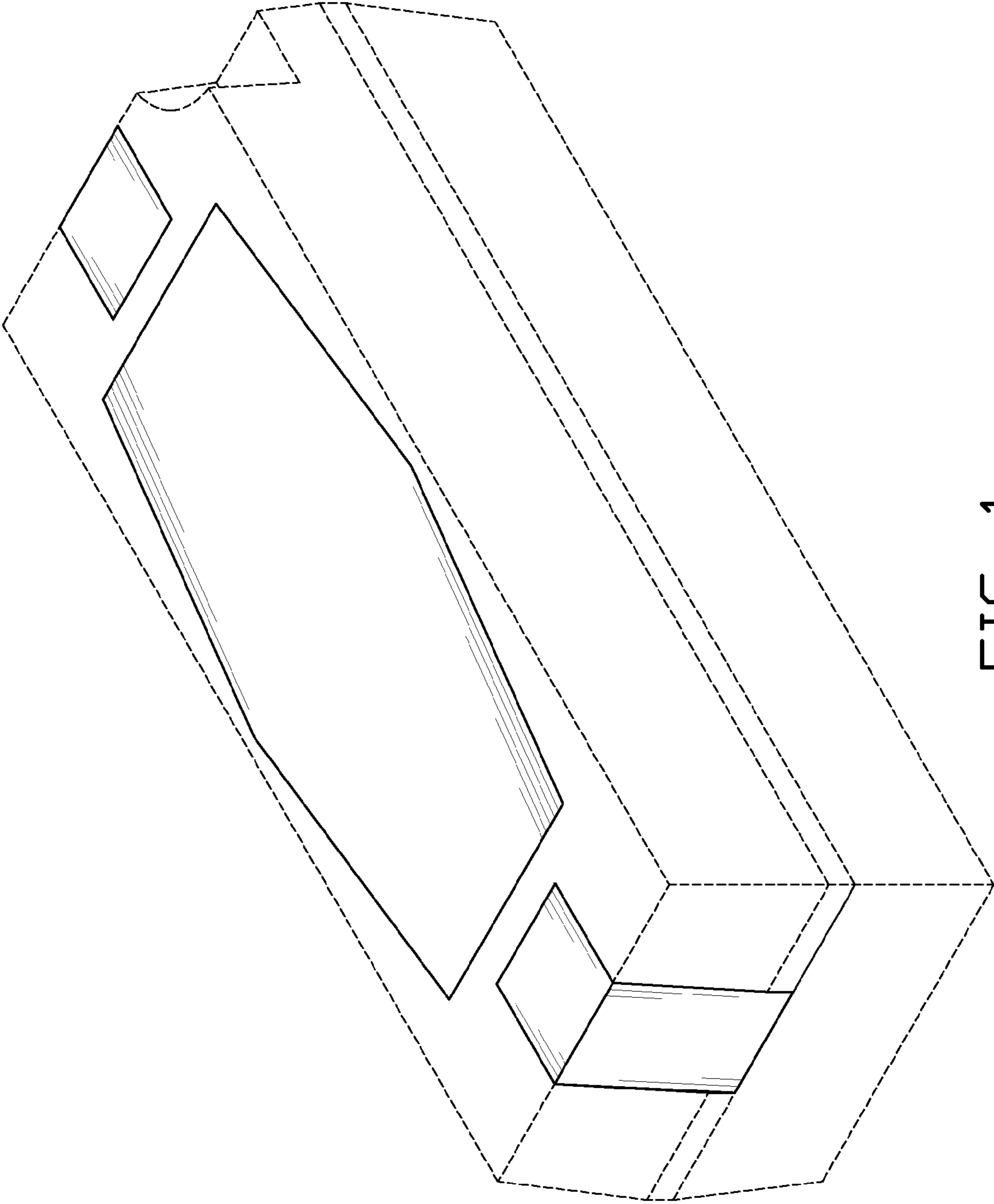


FIG. 1

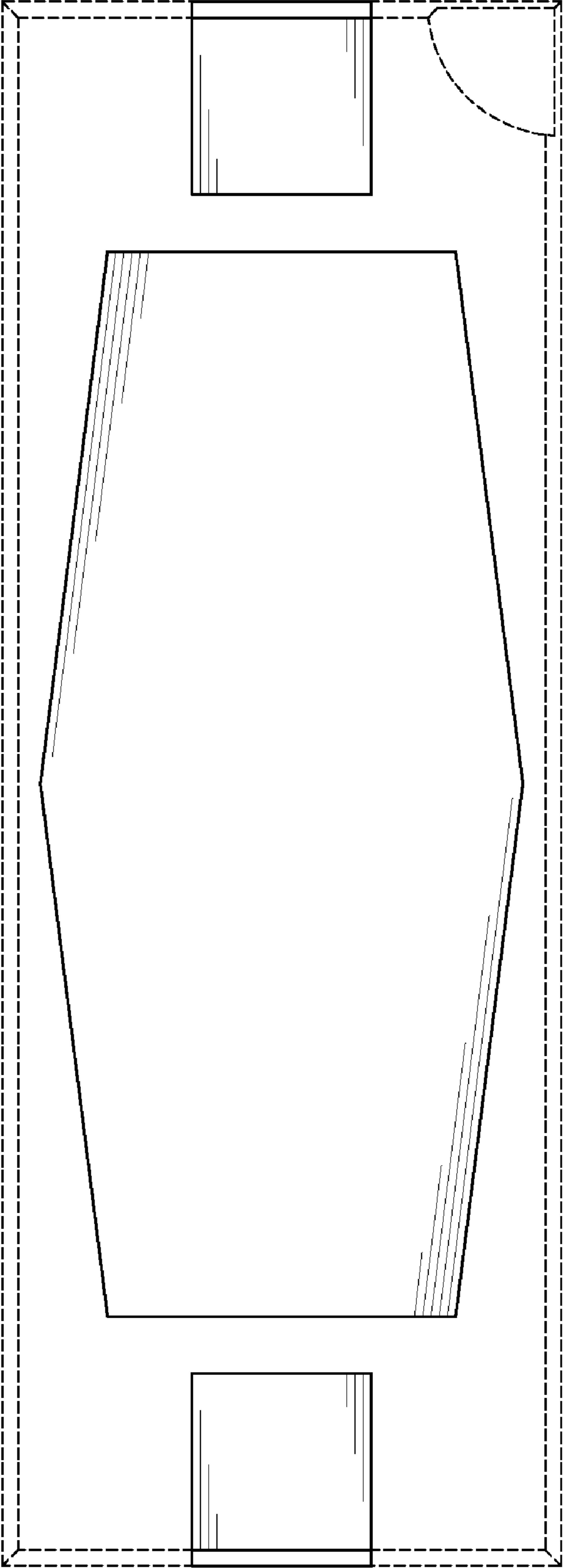


FIG. 2

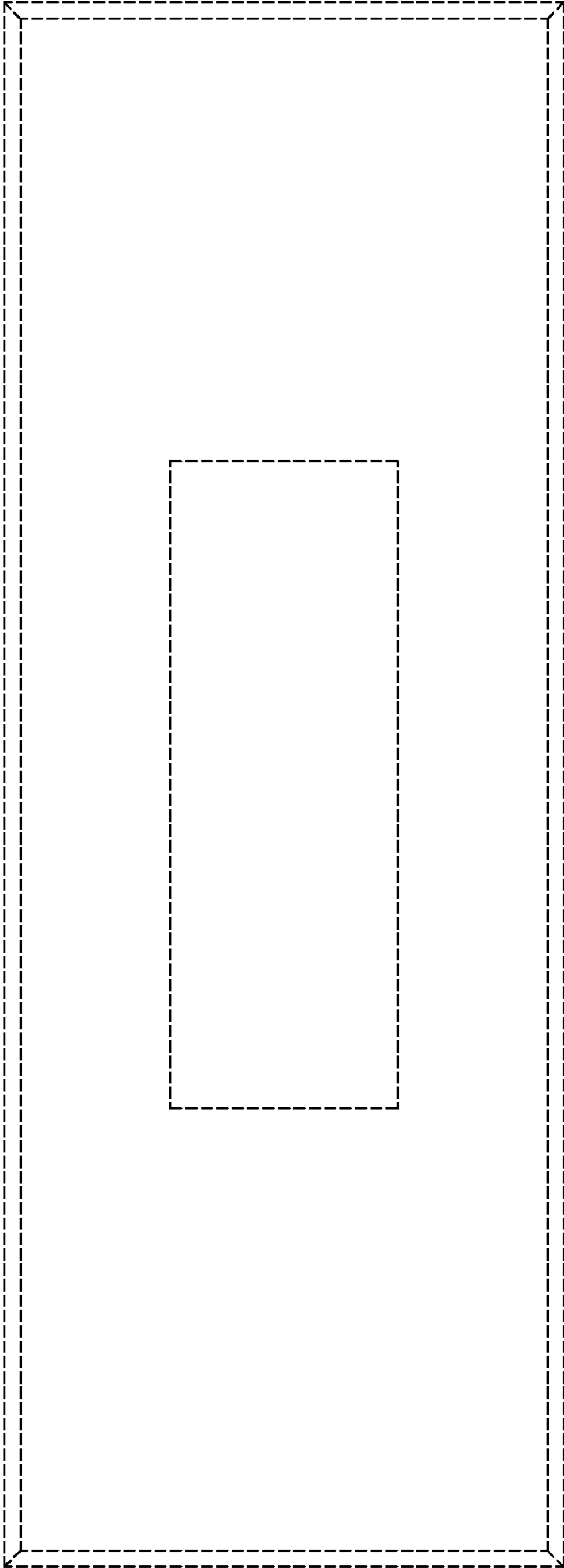


FIG. 3

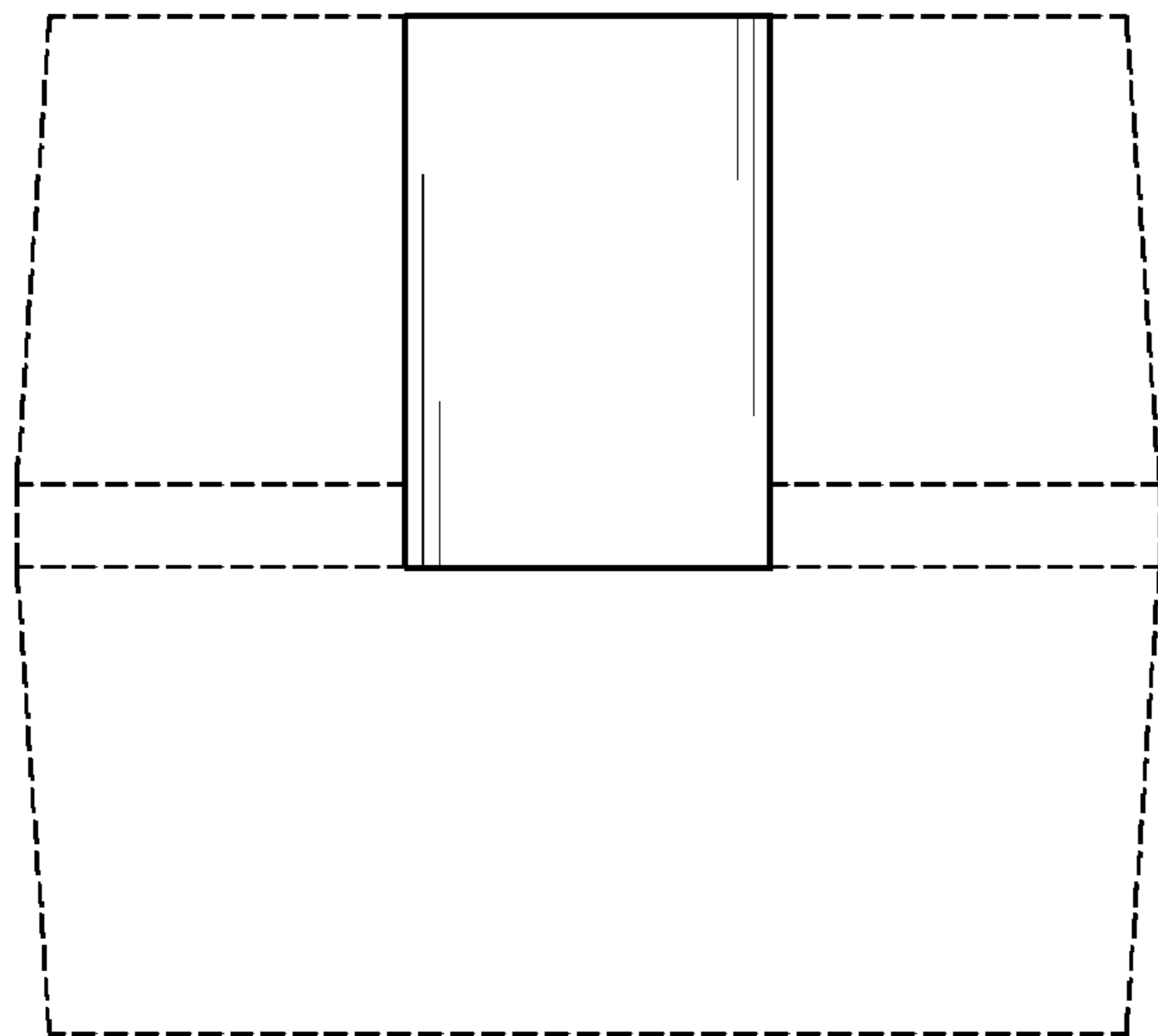


FIG. 4

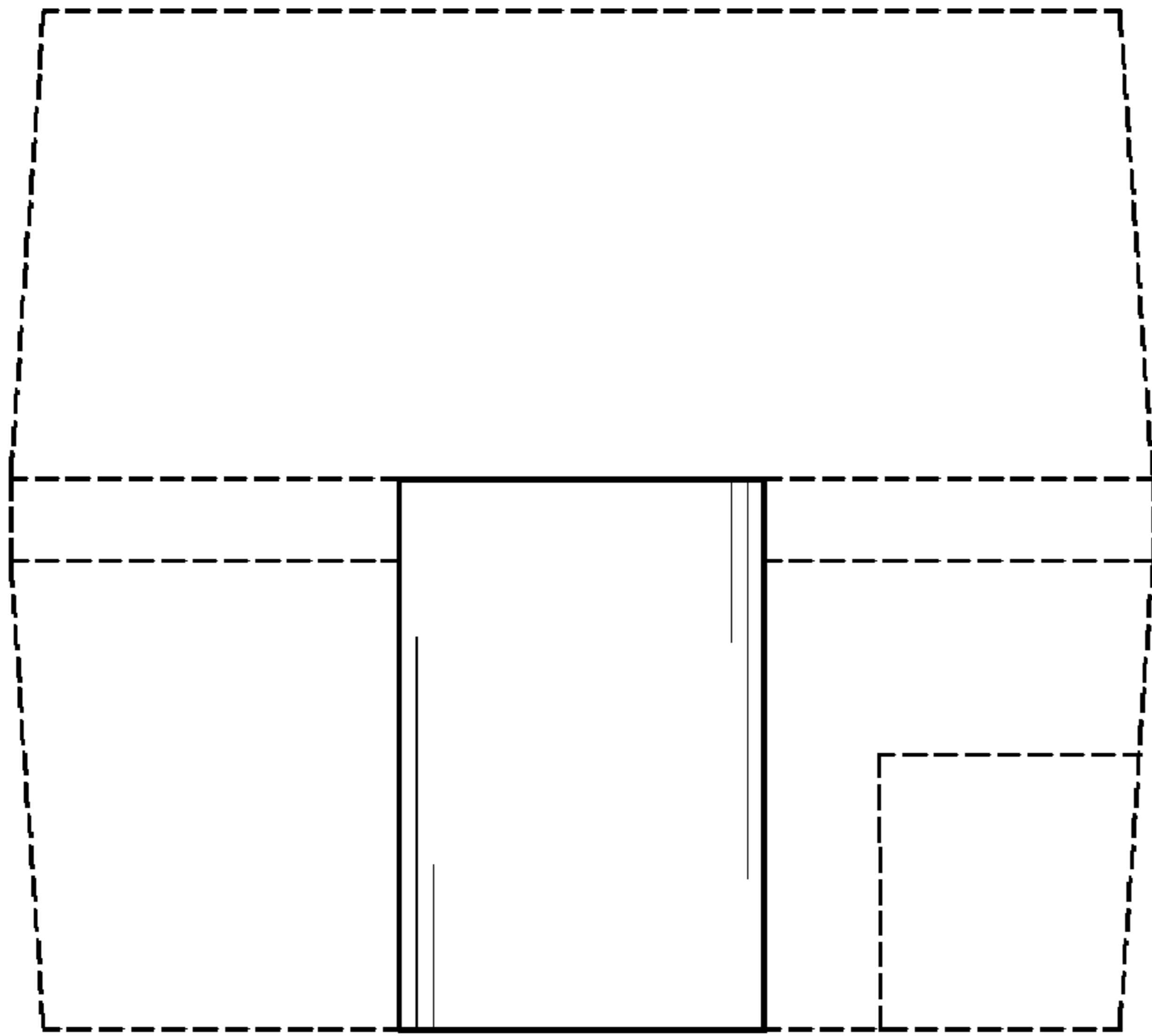


FIG. 5

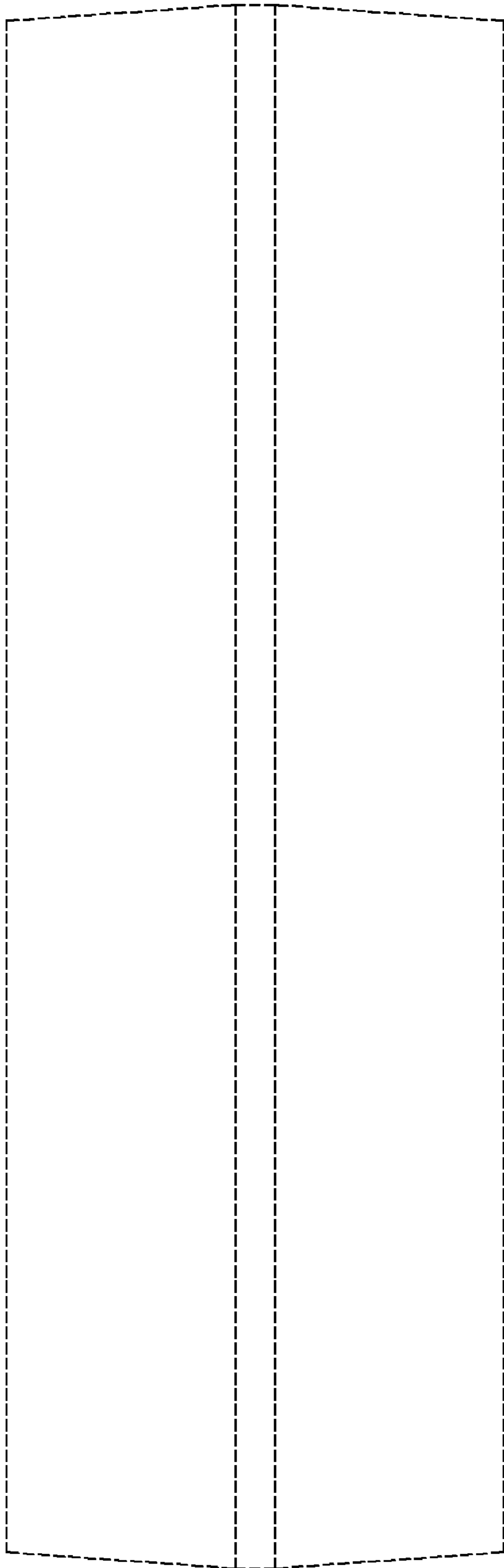


FIG. 6

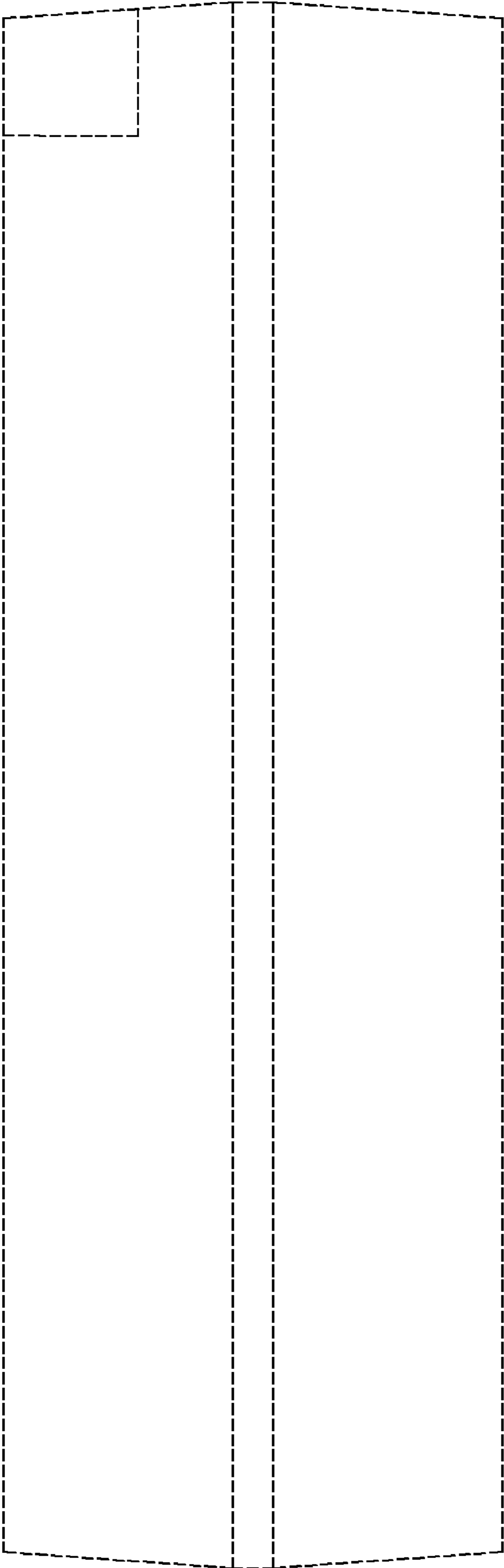


FIG. 7

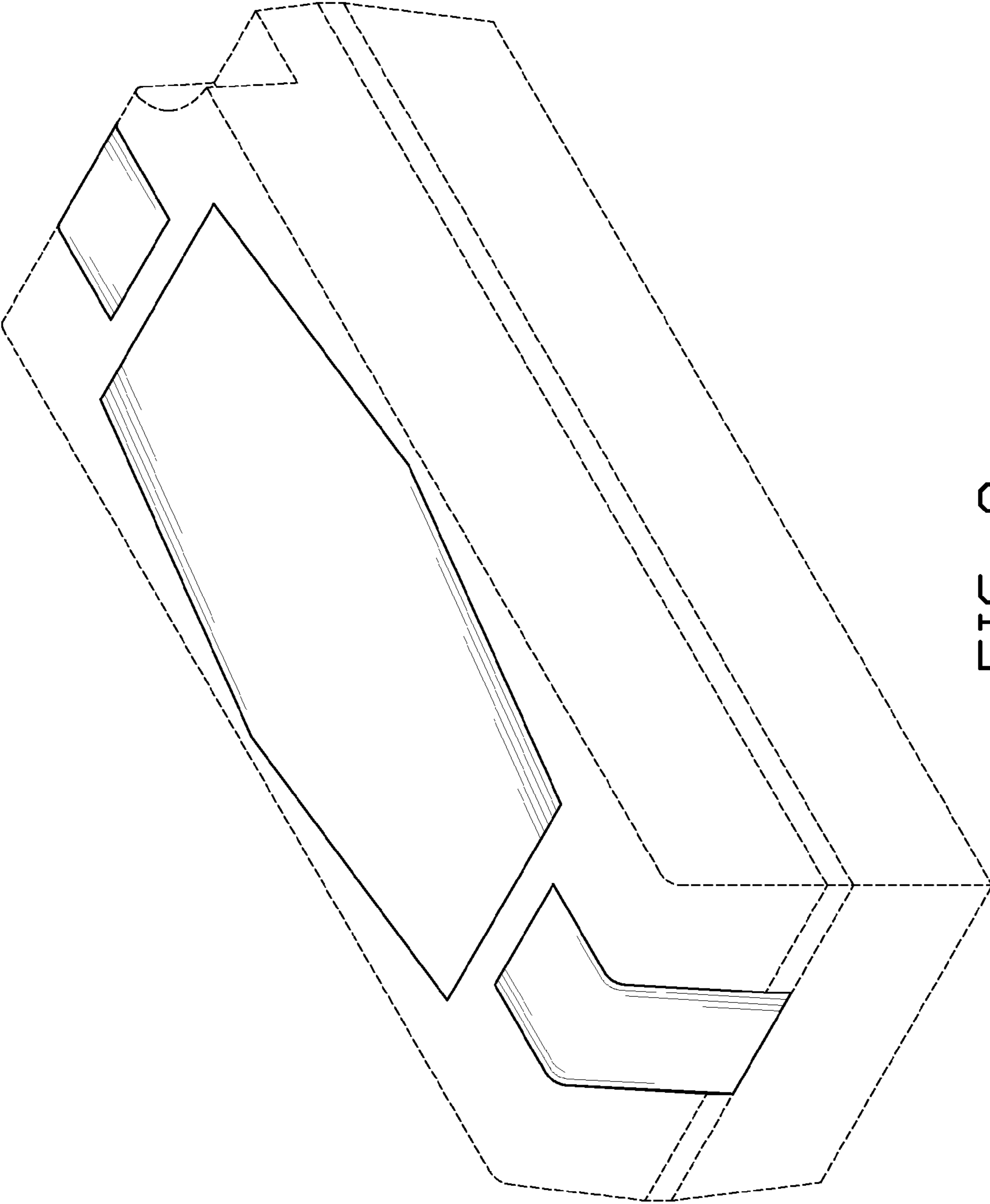


FIG. 8

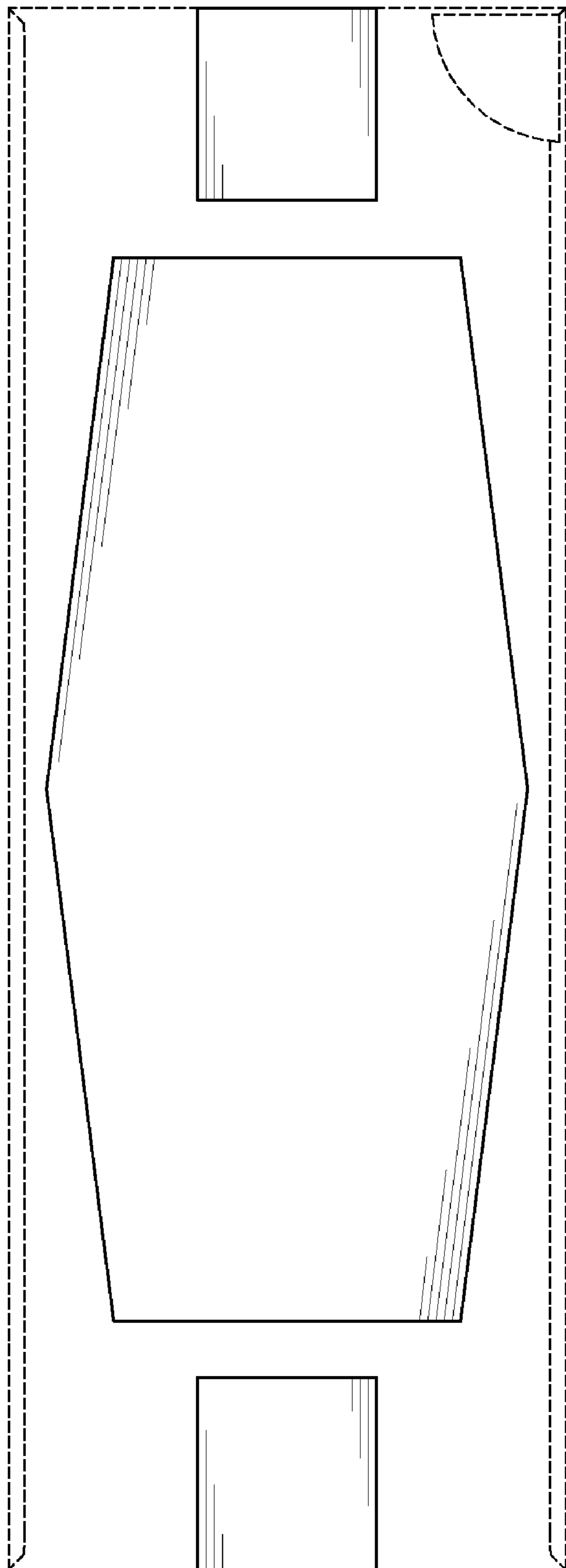


FIG. 9

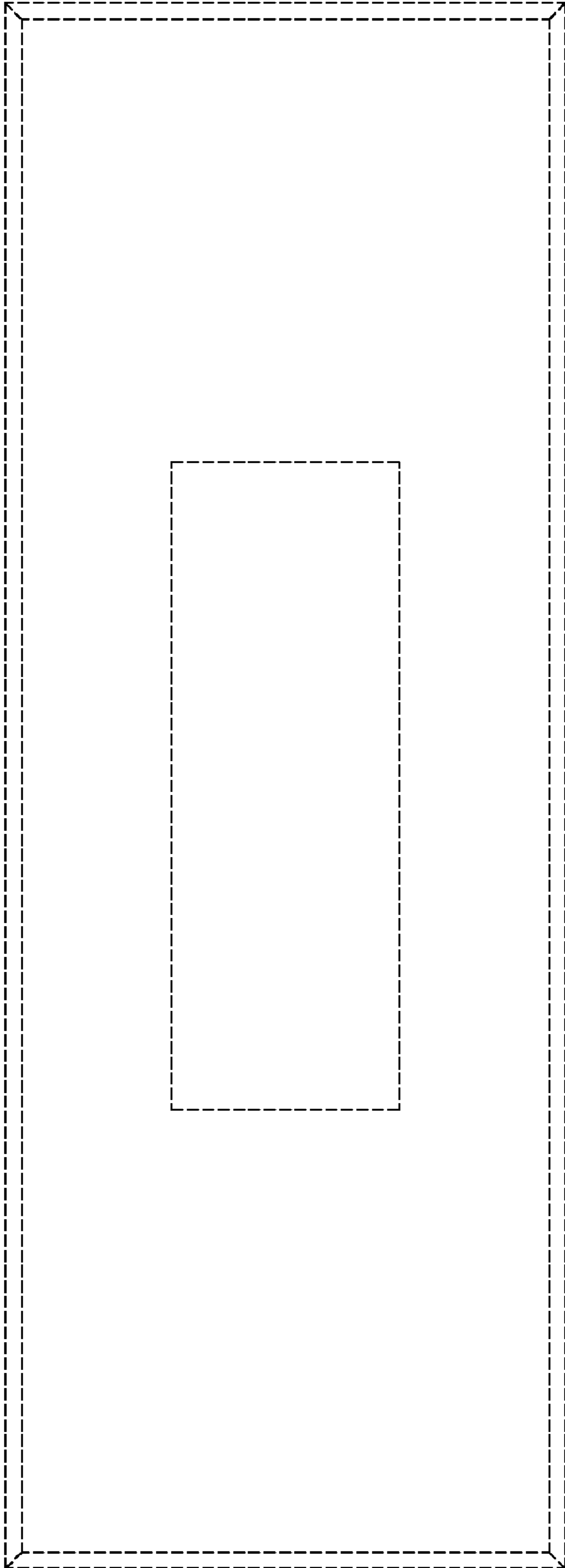


FIG. 10

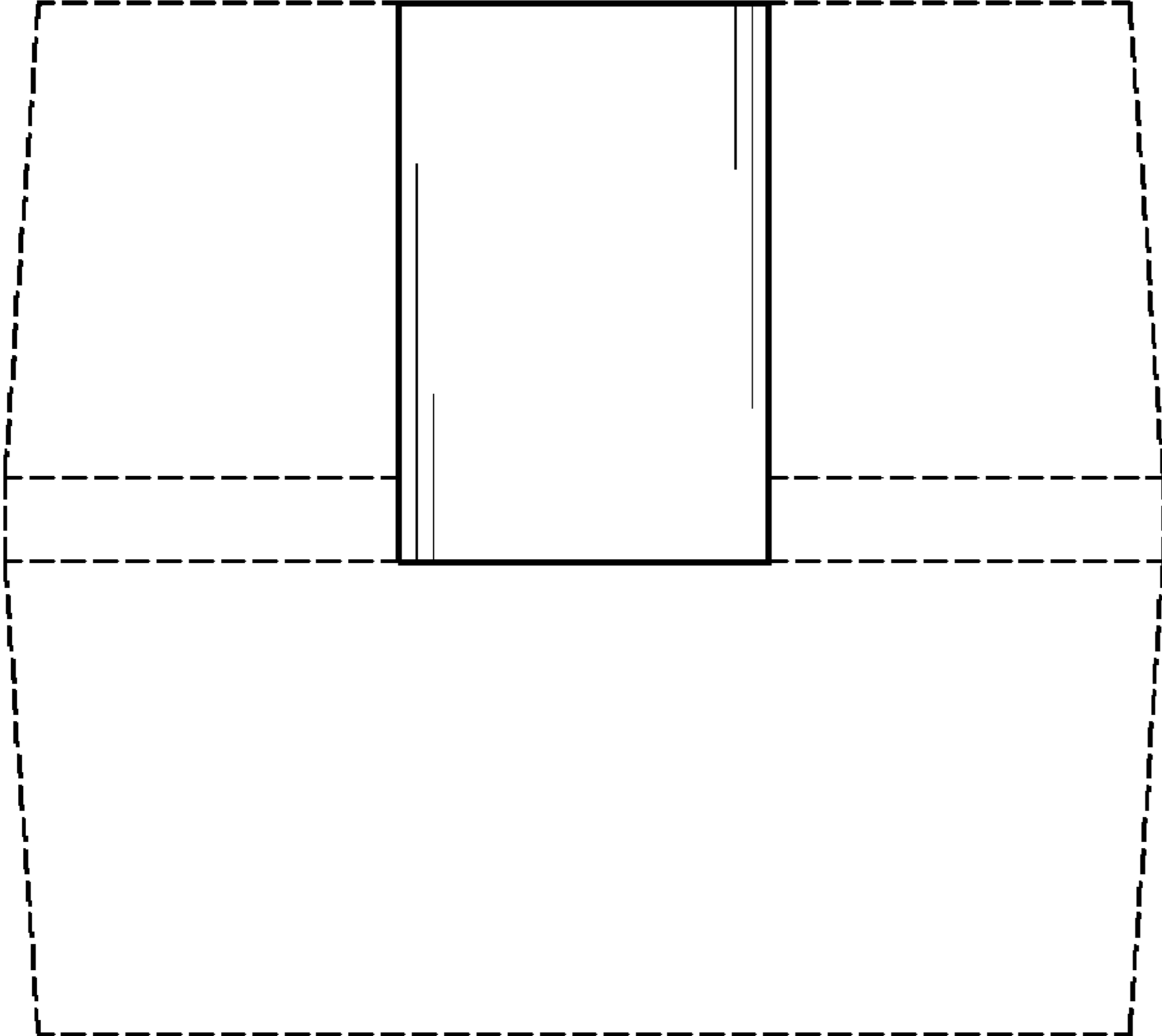


FIG. 11

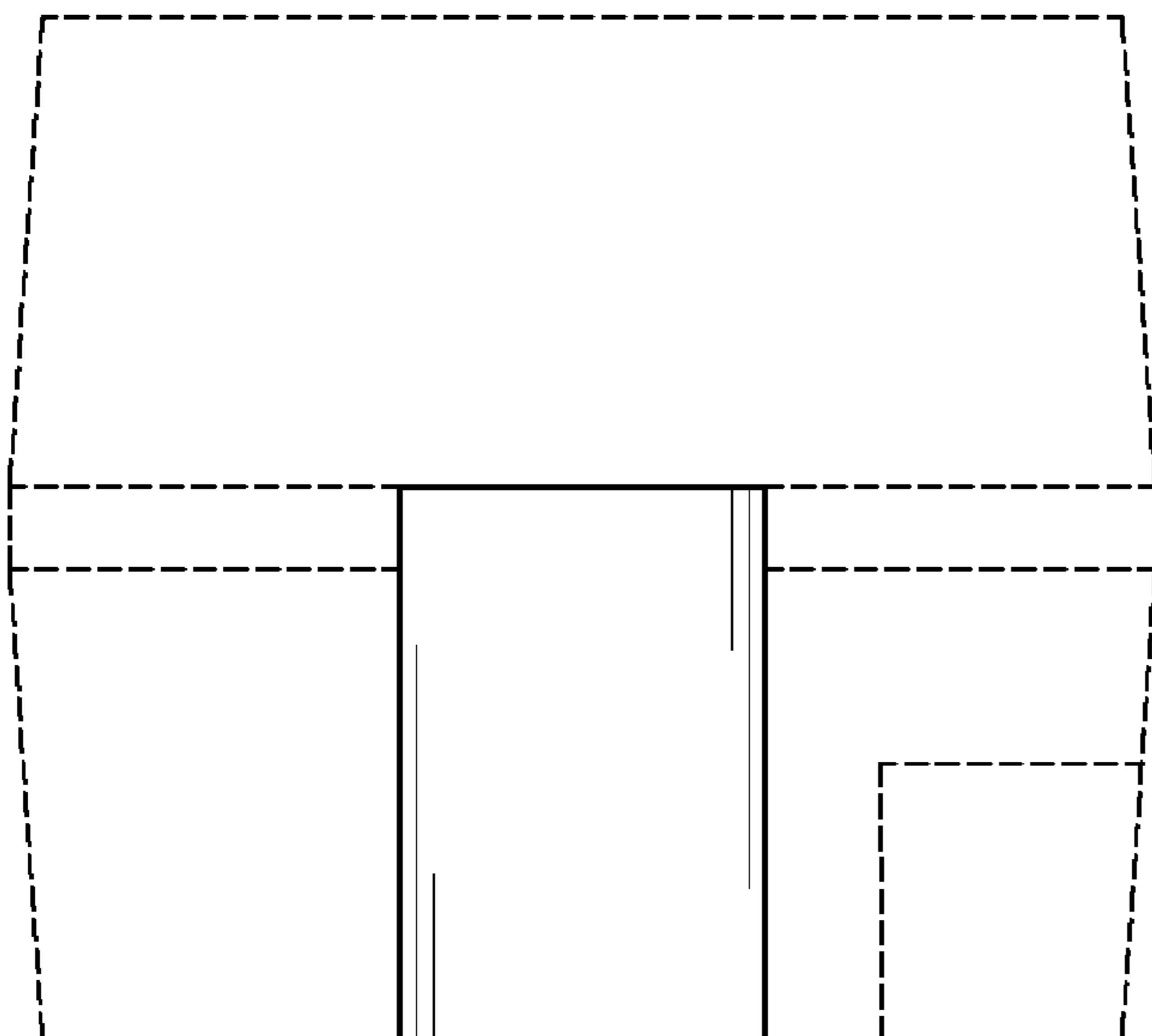


FIG. 12

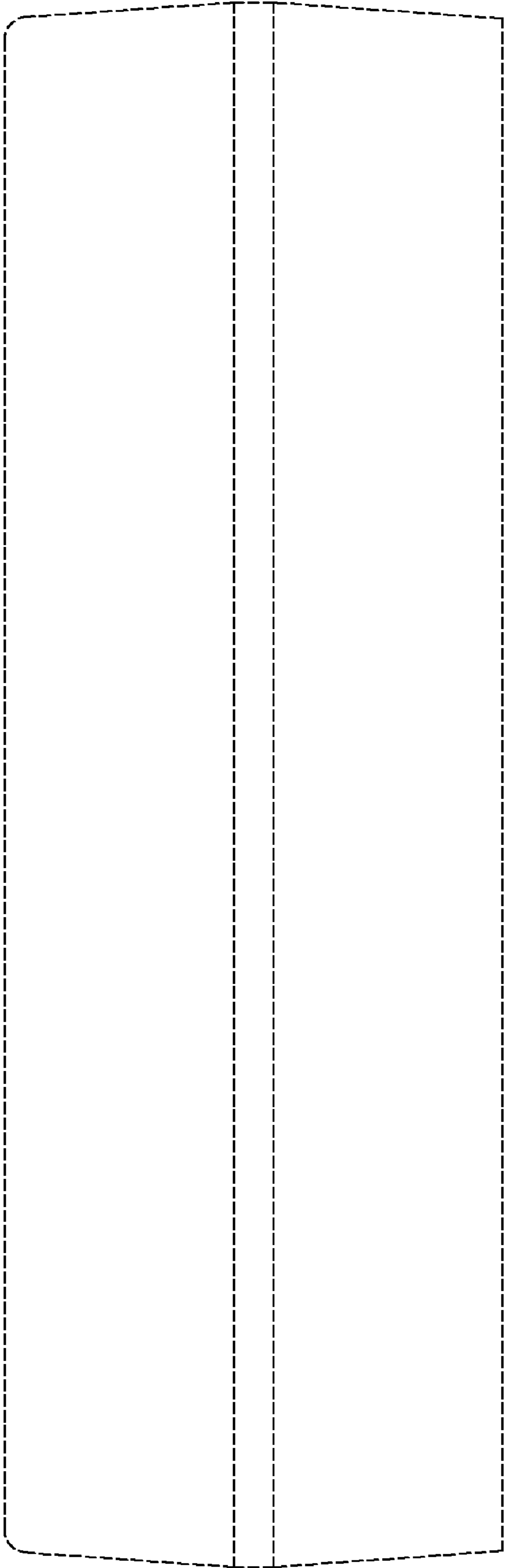


FIG. 13

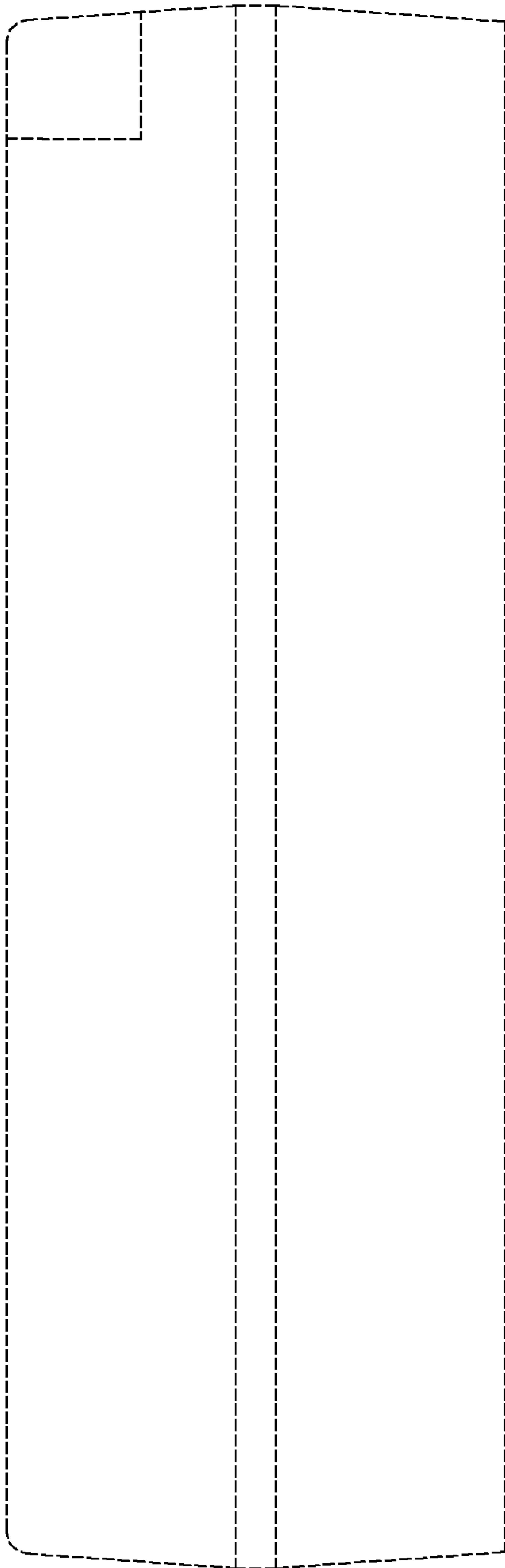


FIG. 14