



US00D650338S

(12) **United States Design Patent**
Sakakibara et al.

(10) **Patent No.:** **US D650,338 S**

(45) **Date of Patent:** **** Dec. 13, 2011**

(54) **OPERATION SWITCH**

(75) Inventors: **Mizuho Sakakibara**, Tokyo (JP);
Shoichi Kobayashi, Hyogo (JP); **Yohei Kume**, Osaka (JP); **Shohei Tsukada**, Osaka (JP); **Hideo Kawakami**, Osaka (JP); **Tohru Nakamura**, Osaka (JP)

(73) Assignee: **Panasonic Corporation**, Osaka (JP)

(**) Term: **14 Years**

(21) Appl. No.: **29/357,858**

(22) Filed: **Mar. 18, 2010**

(30) **Foreign Application Priority Data**

Sep. 18, 2009 (JP) 2009-021682

(51) **LOC (9) Cl.** **13-03**

(52) **U.S. Cl.** **D13/174**

(58) **Field of Classification Search** D13/169,
D13/174; 200/5 R, 5 A, 553, 252, 293, 296,
200/308, 315, 329, 339; 307/139, 157; 315/209 R,
315/224, 246, 291, 295
See application file for complete search history.

(56) **References Cited**

U.S. PATENT DOCUMENTS

2,336,036	A *	12/1943	Rypinski	200/303
4,000,383	A *	12/1976	Lockard	200/16 D
4,158,116	A *	6/1979	Krueger	200/43.19
5,041,706	A *	8/1991	Osika et al.	200/296
5,213,204	A *	5/1993	Sommer	200/303
5,907,140	A *	5/1999	Smith	200/43.19

6,137,068	A *	10/2000	Padulo	200/43.16
6,380,500	B1 *	4/2002	Lin	200/302.3
6,737,592	B1 *	5/2004	Hoang et al.	200/1 B
7,105,762	B1 *	9/2006	Lee	200/449
D534,874	S *	1/2007	Potts	D13/169
7,521,642	B2 *	4/2009	Belanger	200/339
7,525,054	B2 *	4/2009	Ng et al.	200/10
7,576,293	B2 *	8/2009	Nagai et al.	200/339
D638,803	S *	5/2011	Sakakibara et al.	D13/158
D645,415	S *	9/2011	Sakakibara et al.	D13/173
2008/0067049	A1 *	3/2008	Lanser et al.	200/339

* cited by examiner

Primary Examiner — Selina Sikder

(74) *Attorney, Agent, or Firm* — Brinks Hofer Gilson & Lione

(57) **CLAIM**

We claim the ornamental design for an operation switch, as shown and described.

DESCRIPTION

FIG. 1 is a top perspective view of an operation switch of the present invention;
FIG. 2 is a front view thereof;
FIG. 3 is a rear view thereof;
FIG. 4 is a first side view thereof;
FIG. 5 is a second side view thereof;
FIG. 6 is a top view thereof;
FIG. 7 is a bottom view thereof; and,
FIG. 8 is a top perspective view thereof shown in an environmental use.

The broken line showing of operation switch is included for the purpose of illustrating environment and forms no part of the claimed design.

1 Claim, 8 Drawing Sheets

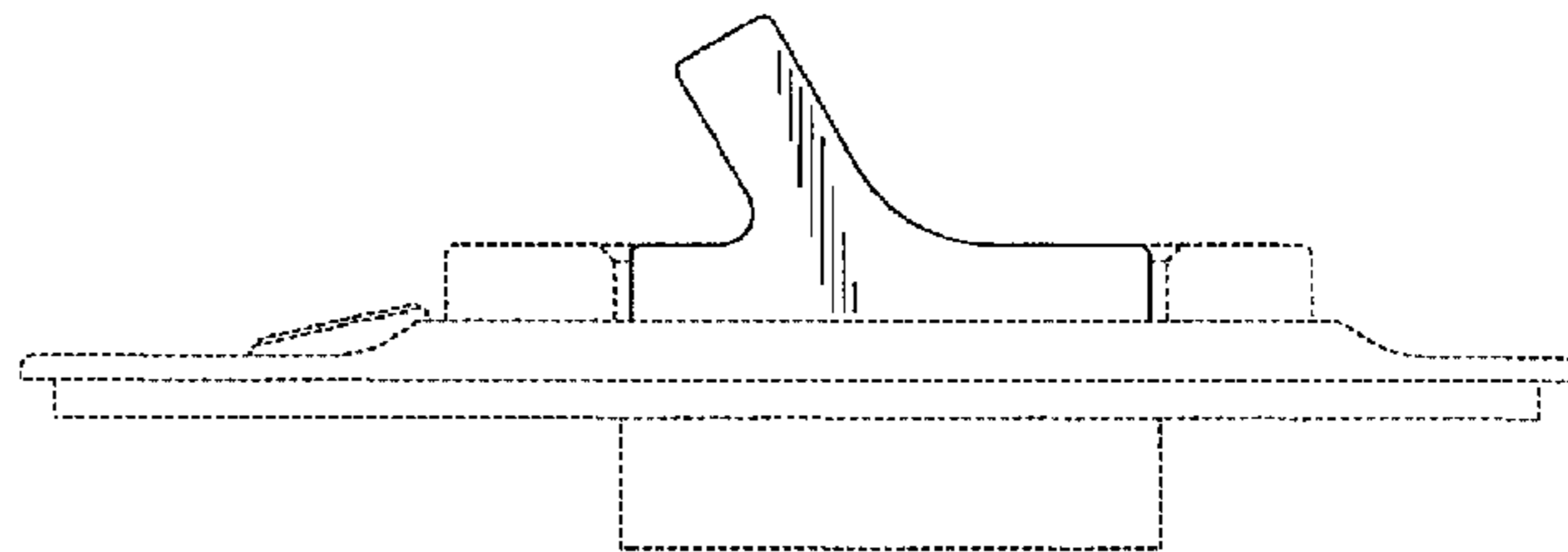
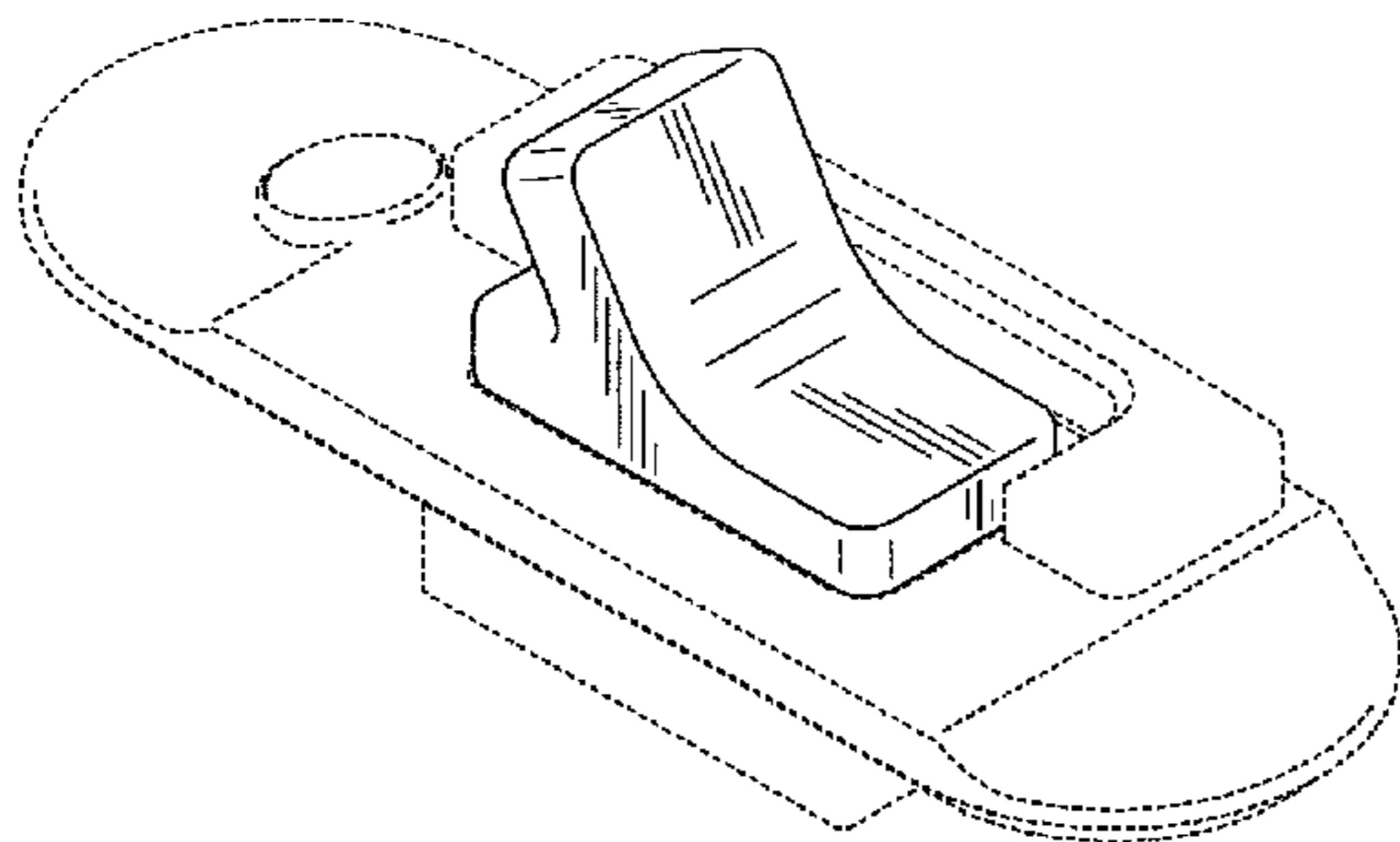


FIG.1

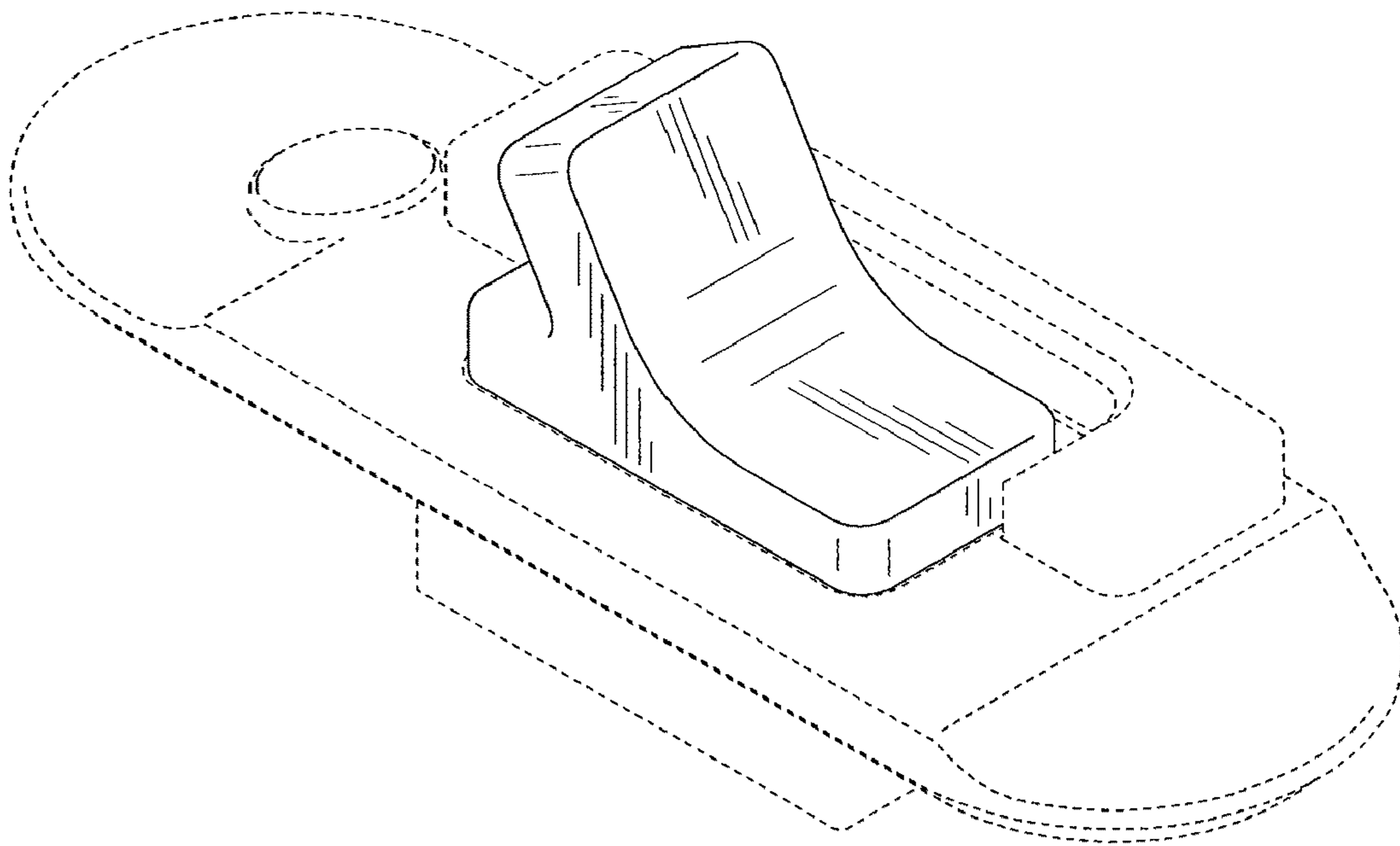


FIG.2

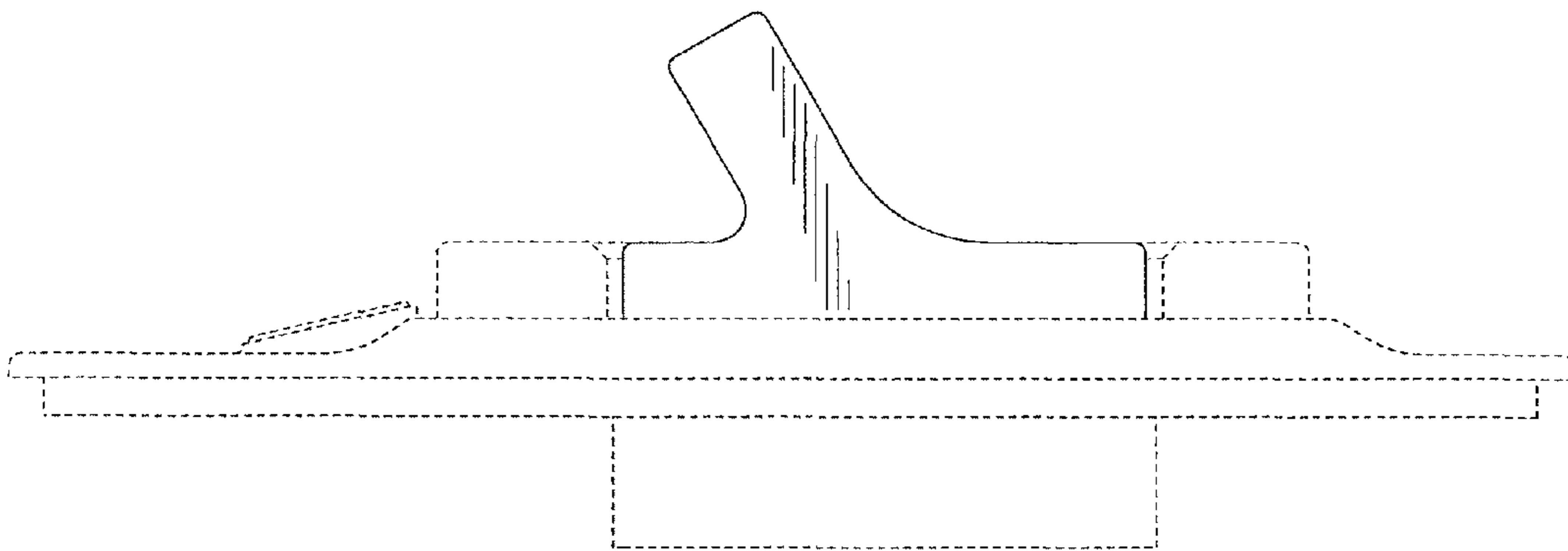


FIG.3

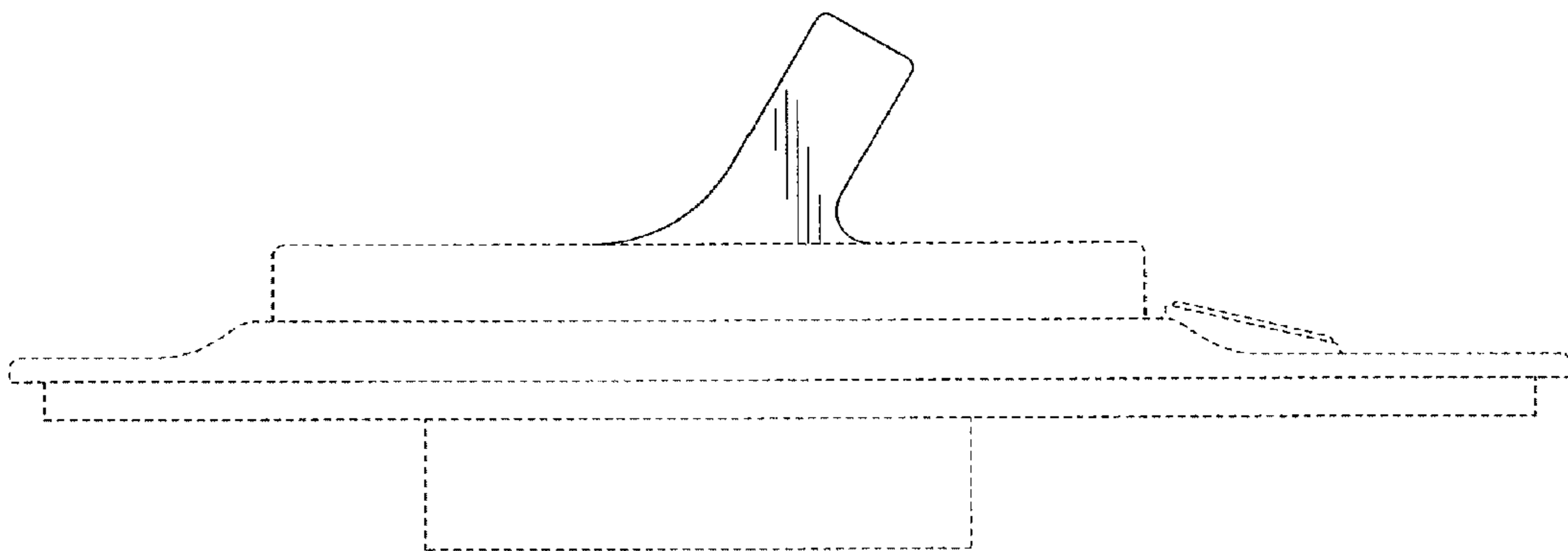


FIG.4

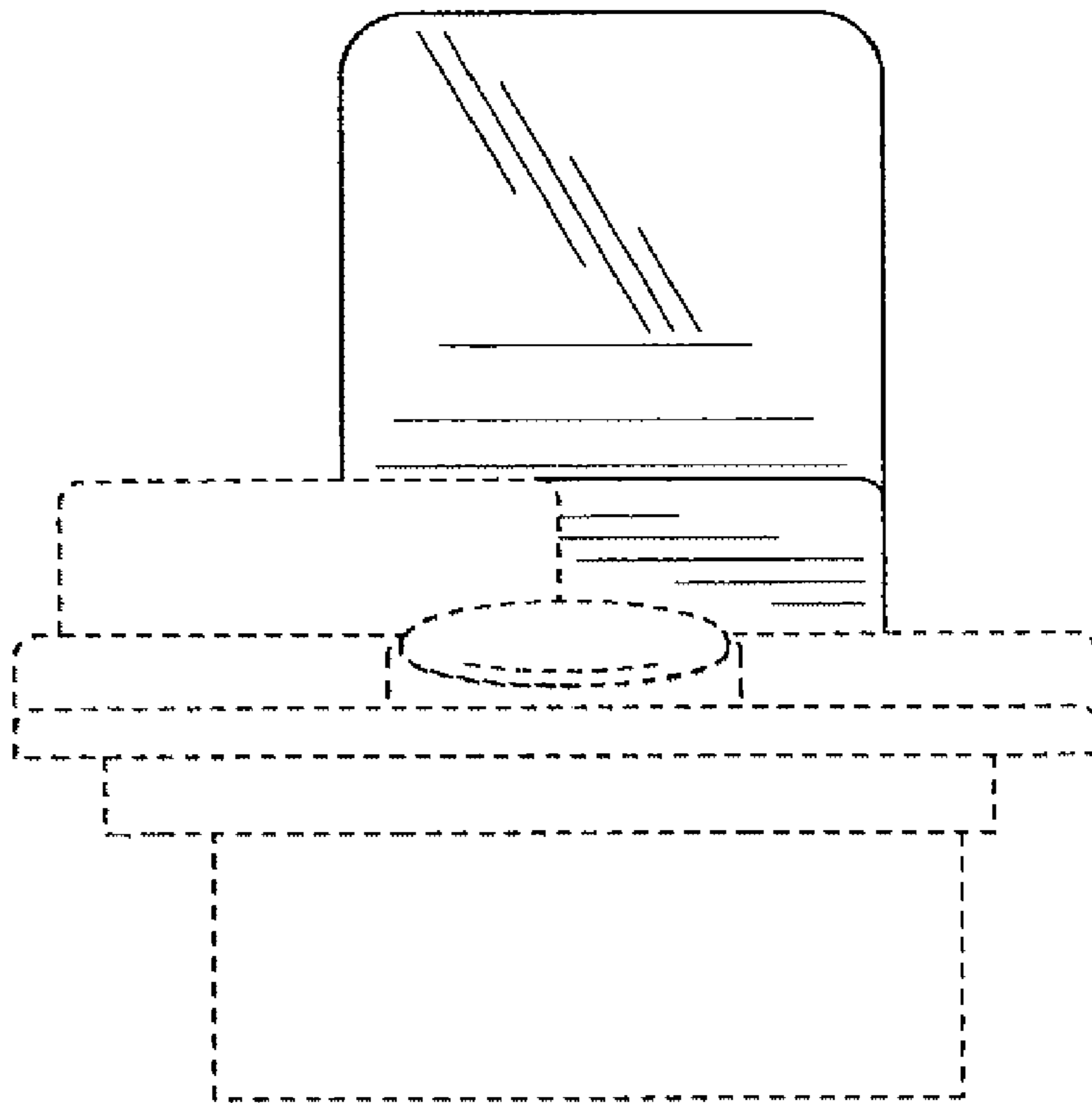


FIG.5

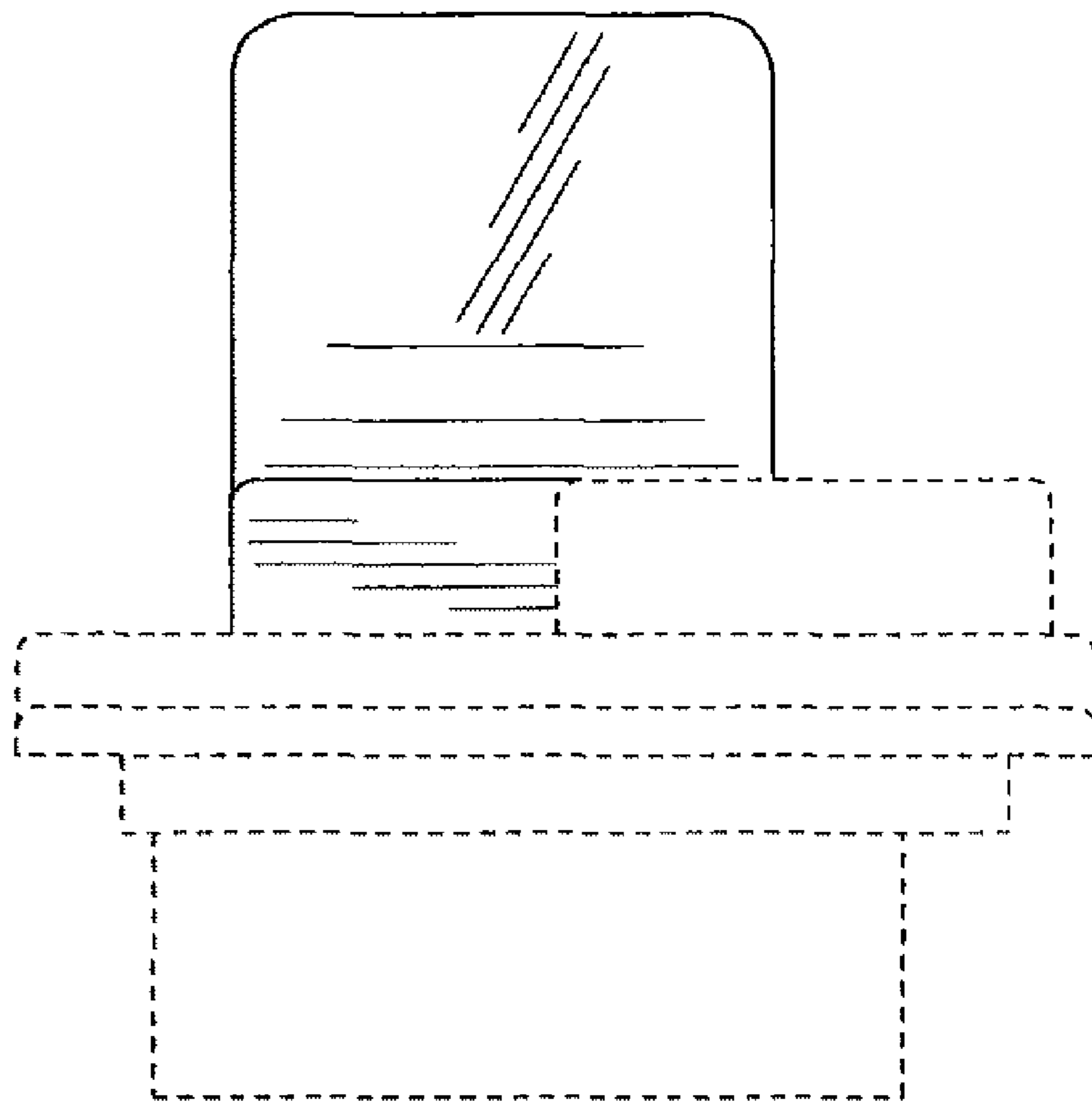


FIG.6

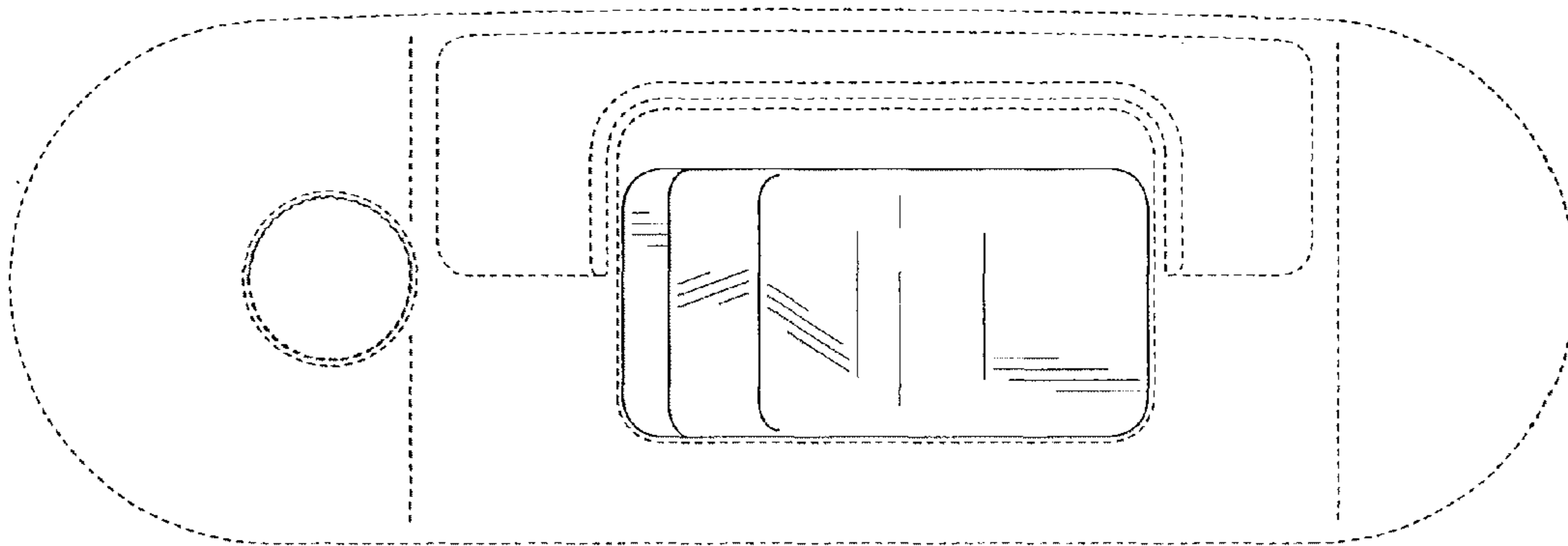


FIG.7

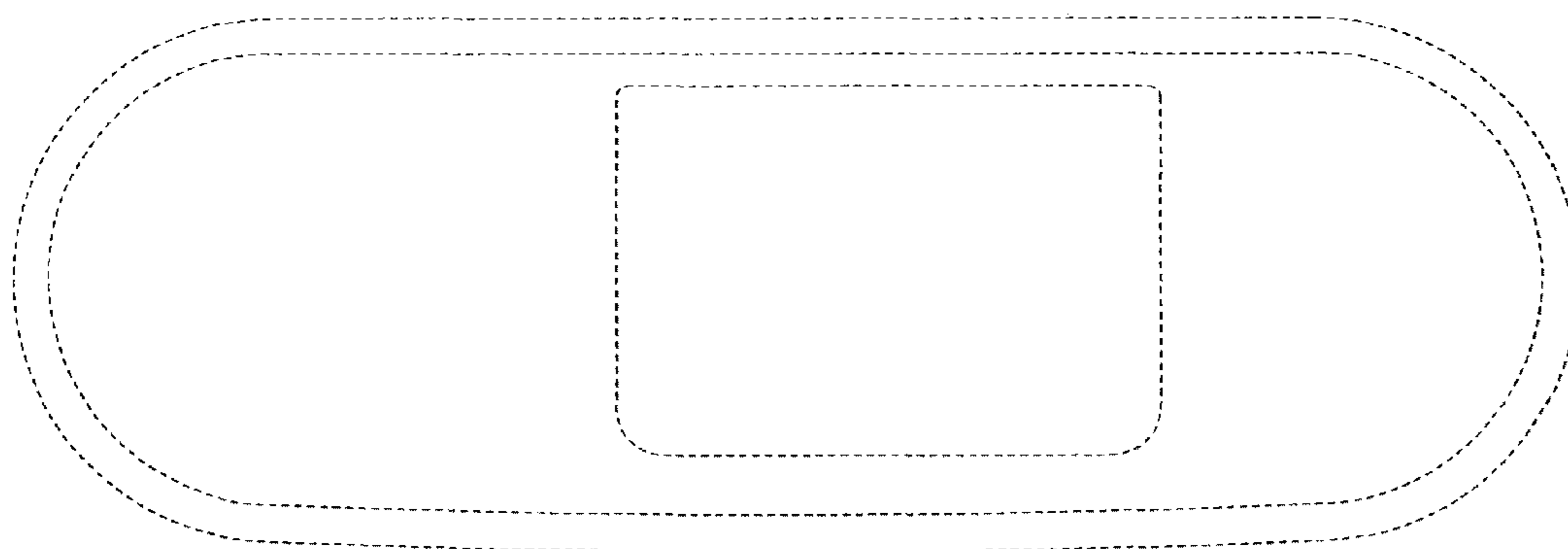


FIG.8

