



US00D650334S

(12) **United States Design Patent**
Matsuoka

(10) **Patent No.:** **US D650,334 S**
(45) **Date of Patent:** **** Dec. 13, 2011**

(54) **CONNECTOR DEVICE WITH SURFACE FEATURE**

439/607.11, 607.13, 607.14, 607.25, 607.31,
607.32, 607.36, 607.4, 607.46, 607.53, 660,
676, 677

(75) Inventor: **Yoshimichi Matsuoka**, Cupertino, CA (US)

See application file for complete search history.

(73) Assignee: **Hewlett-Packard Development Company, L.P.**, Houston, TX (US)

Primary Examiner — Daniel Bui

(**) Term: **14 Years**

(57) **CLAIM**

The ornamental design for a connector device with surface feature, as shown and described.

(21) Appl. No.: **29/382,569**

DESCRIPTION

(22) Filed: **Jan. 5, 2011**

Related U.S. Application Data

(62) Division of application No. 29/323,689, filed on Aug. 28, 2008, now Pat. No. Des. 630,592.

FIG. 1 is a top and side perspective view of a connector device with surface feature showing my new design; FIG. 2 is a top plan view thereof; and, FIG. 3 is a cross-sectional view thereof, taken along lines 3-3 in FIG. 2.

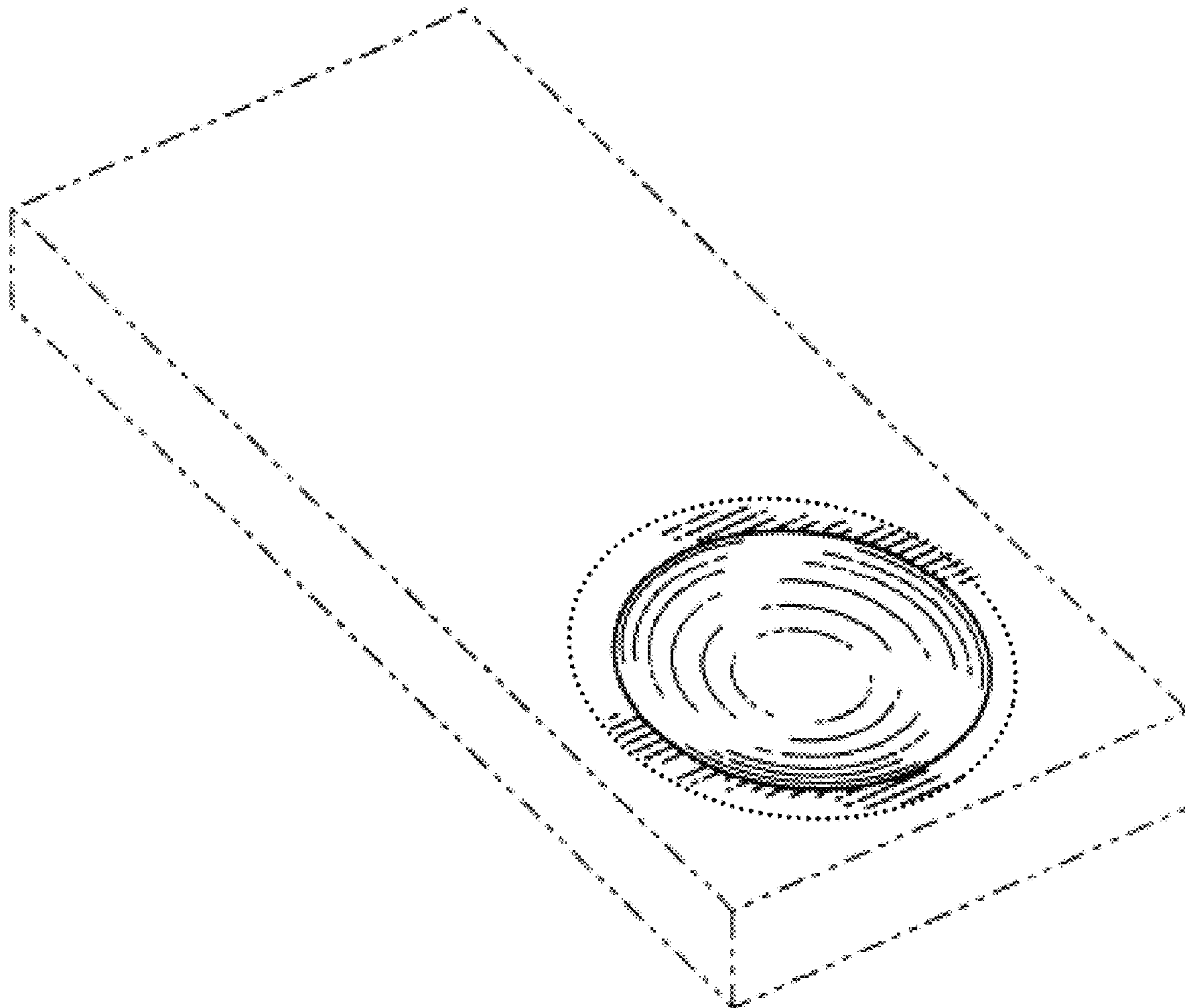
(51) **LOC (9) Cl.** **13-03**

(52) **U.S. Cl.** **D13/133**

(58) **Field of Classification Search** D13/133,
D13/147, 154, 184, 199; 439/79, 108, 367,
439/607.01, 607.04, 607.07, 607.08, 607.09,

The even-broken line in the figure drawings is included to show the boundaries of the claimed design. The dash-dot-dot line represents environment and forms no part of the claimed design.

1 Claim, 2 Drawing Sheets



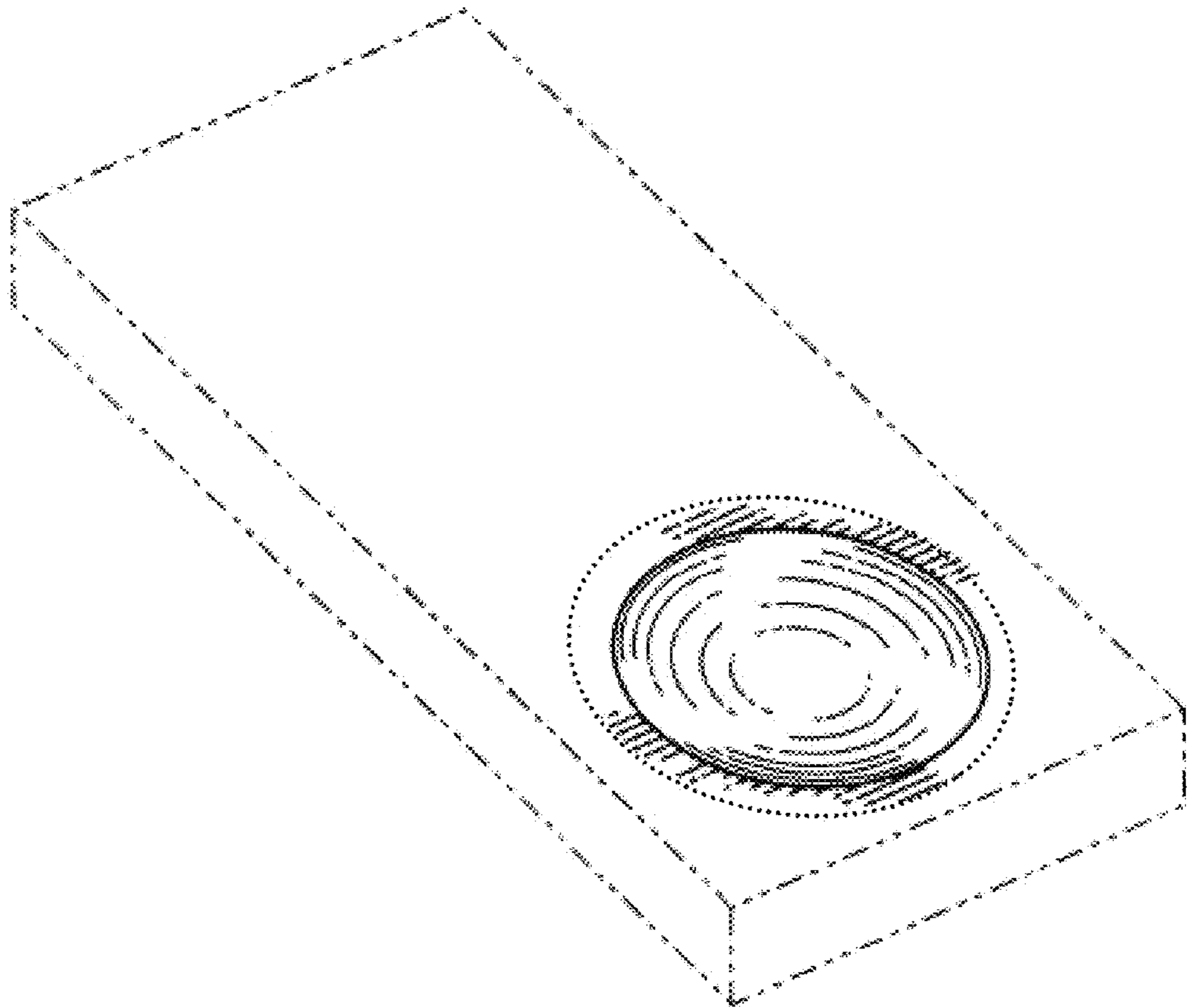


FIG. 1

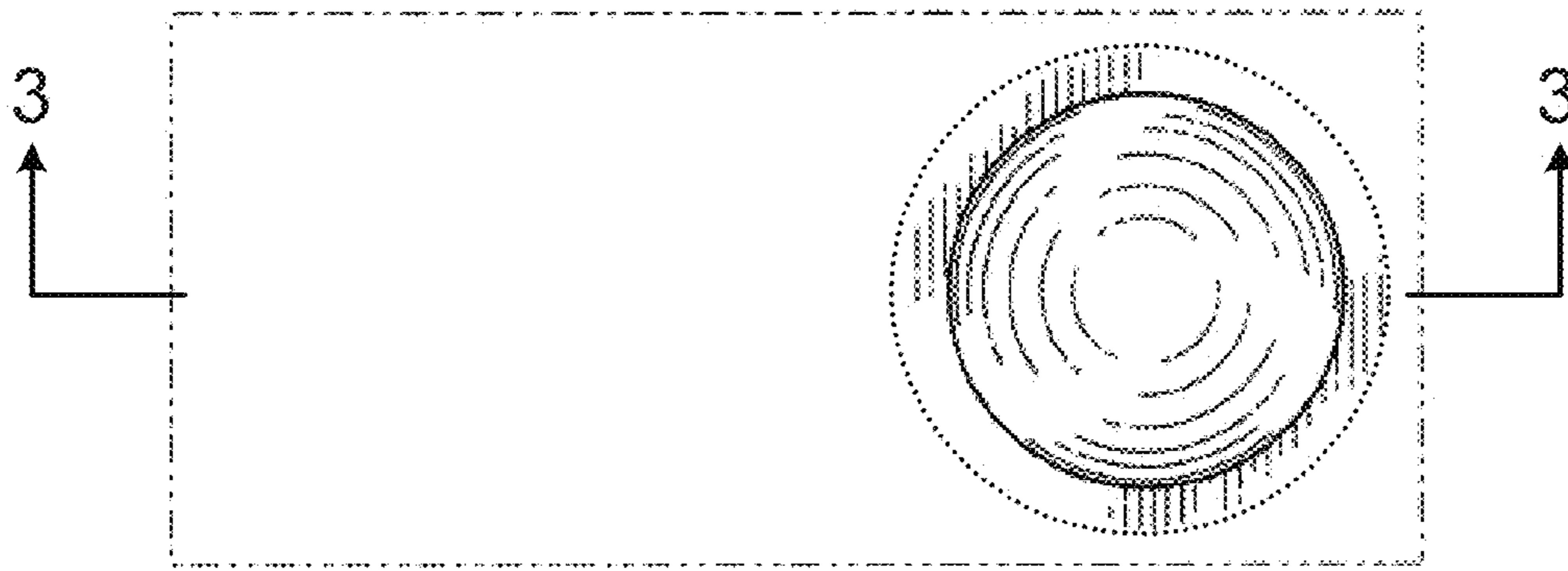


FIG. 2



FIG. 3