



US00D650330S

(12) **United States Design Patent**
Dong

(10) **Patent No.:** **US D650,330 S**

(45) **Date of Patent:** **** Dec. 13, 2011**

(54) **TRAVEL CHARGER**

(75) Inventor: **Mary Dong**, City of Industry, CA (US)

(73) Assignee: **Valor Communication, Inc.**, City of Industry, CA (US)

(**) Term: **14 Years**

(21) Appl. No.: **29/391,933**

(22) Filed: **May 13, 2011**

(51) **LOC (9) Cl.** **13-02**

(52) **U.S. Cl.** **D13/108**

(58) **Field of Classification Search** D13/107-110,
D13/118-119, 138.1-138.2, 184, 199; D14/251,
D14/253, 432, 434; 320/107-115
See application file for complete search history.

(56) **References Cited**

U.S. PATENT DOCUMENTS

D331,220 S *	11/1992	Tsuchiya	D13/107
D425,480 S *	5/2000	Jokinen	D13/107
D432,497 S *	10/2000	Totsuka et al.	D13/110
D478,546 S *	8/2003	Andre et al.	D13/110
D503,679 S *	4/2005	Andre et al.	D13/110
D573,946 S *	7/2008	Ledbetter et al.	D13/110
D601,501 S *	10/2009	Kaibara et al.	D13/110
D638,355 S *	5/2011	Chen	D13/110
D638,356 S *	5/2011	Chen	D13/110

D638,357 S *	5/2011	Sasada et al.	D13/110
D639,238 S *	6/2011	Serrano	D13/110
2009/0284221 A1 *	11/2009	Liao	320/111
2010/0117597 A1 *	5/2010	Wang	320/111

* cited by examiner

Primary Examiner — Rosemary K Tarcza

(74) *Attorney, Agent, or Firm* — Marc E. Hankin; Kevin Schraven; Hankin Patent Law, APC

(57) **CLAIM**

The ornamental design for a travel charger, as shown.

DESCRIPTION

FIG. 1 is an illustration of a perspective view of the travel charger showing the prongs retracted.

FIG. 2 is an illustration of a perspective view of the travel charger showing the prongs extended.

FIG. 3 is an illustration of a back view of the travel charger.

FIG. 4 is an illustration of a front view of the travel charger.

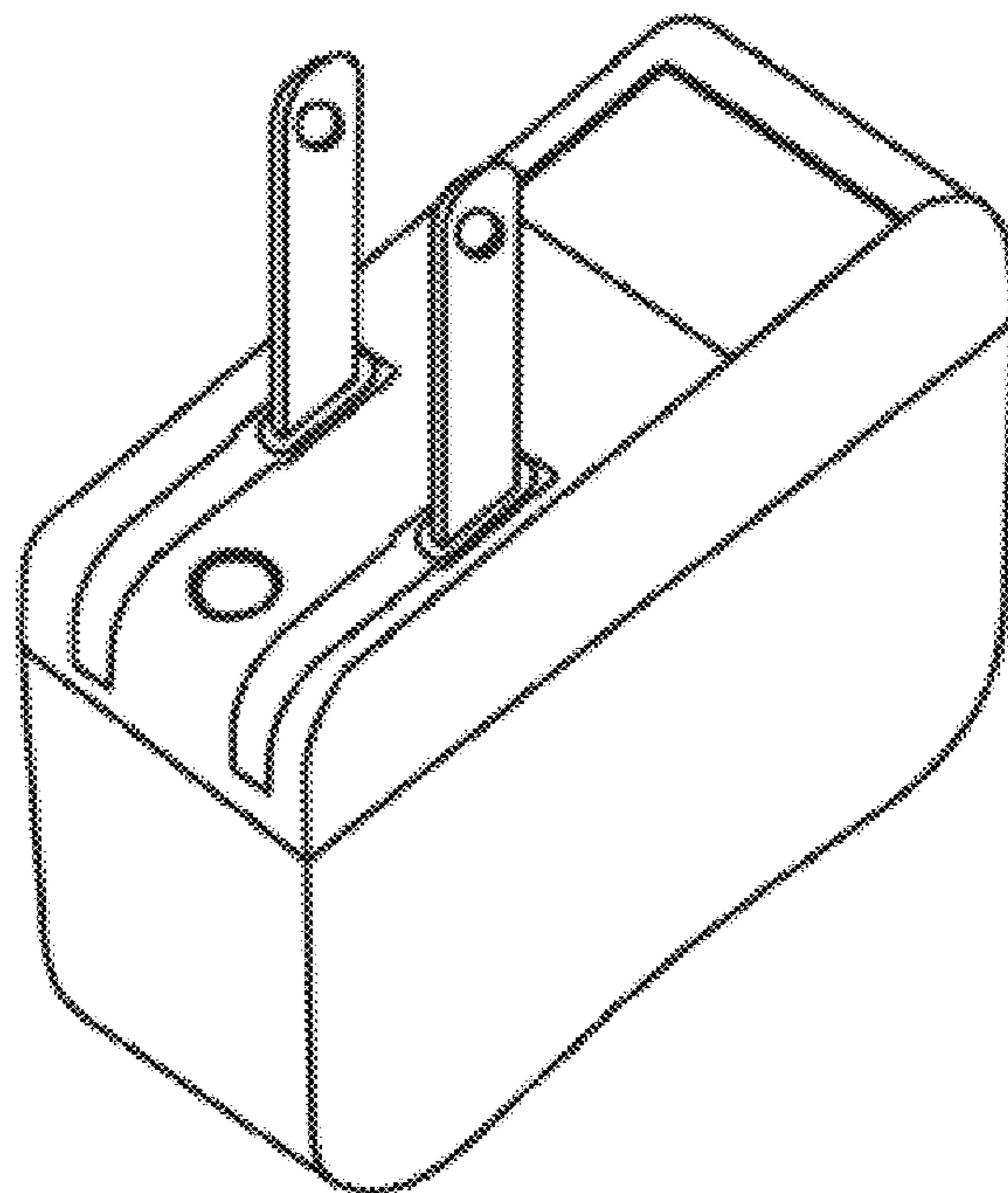
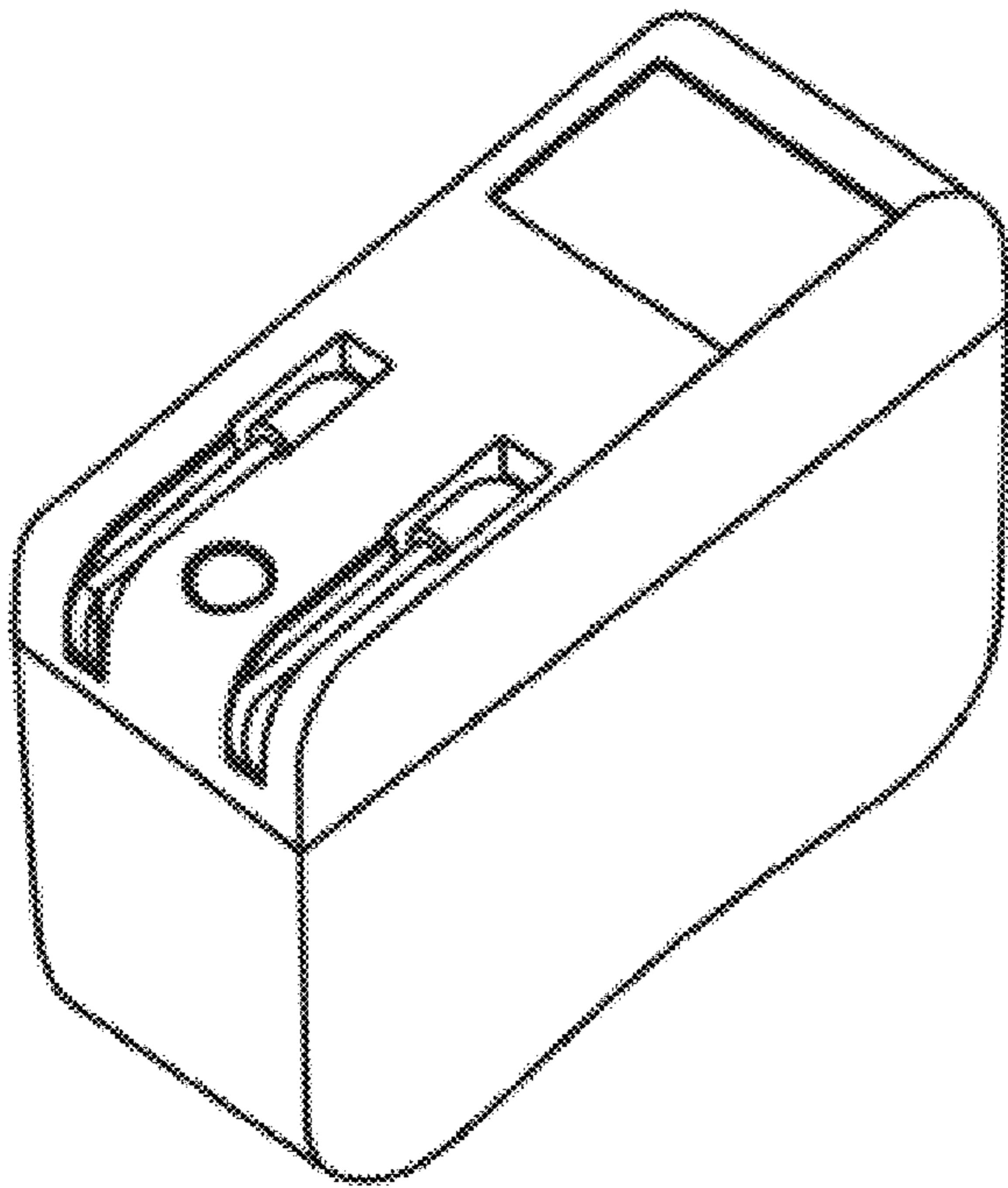
FIG. 5 is an illustration of a left side view of the travel charger.

FIG. 6 is an illustration of a right side view of the travel charger.

FIG. 7 is an illustration of a top view of the travel charger; and,

FIG. 8 is an illustration of a bottom view of the travel charger.

1 Claim, 8 Drawing Sheets



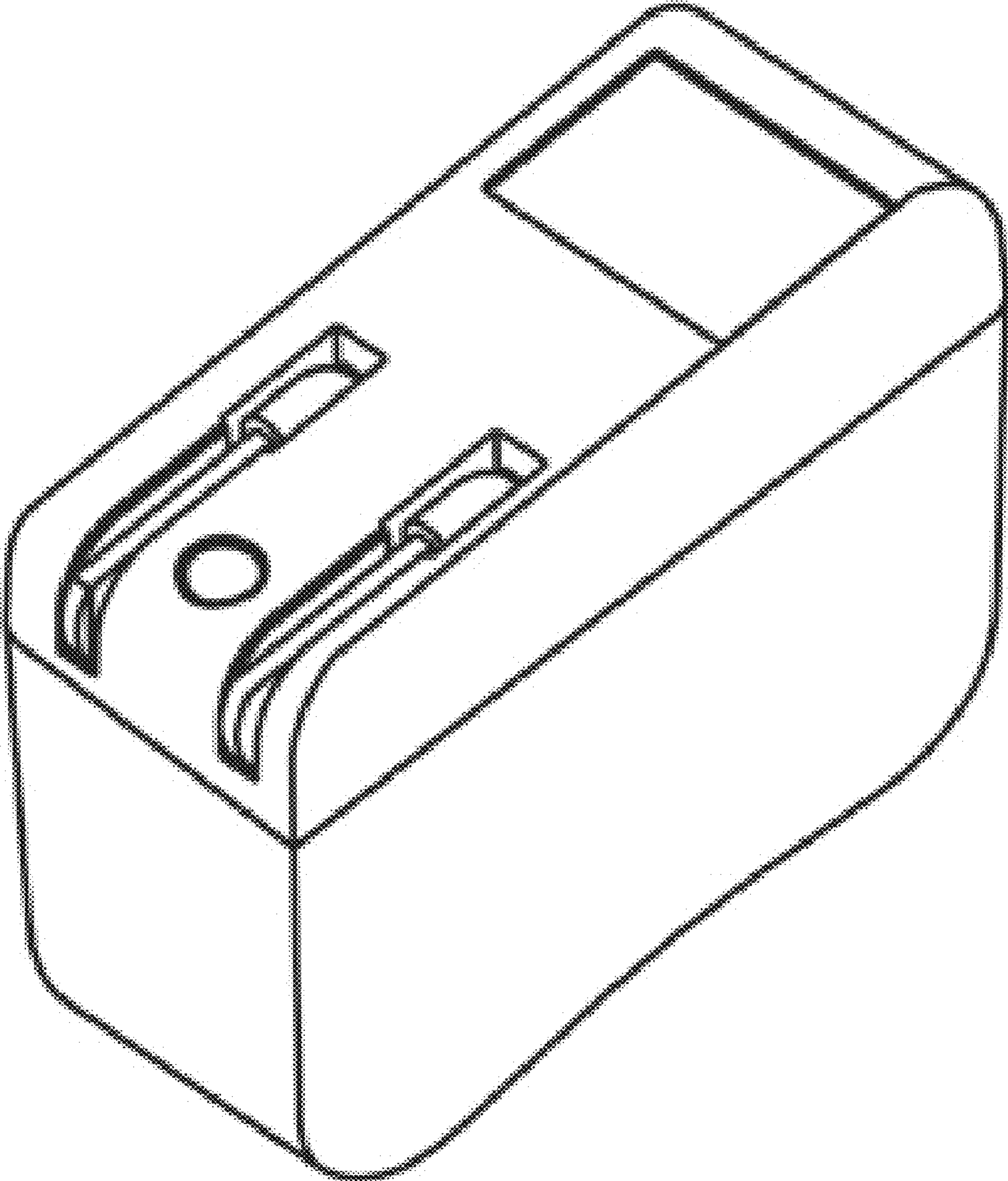


Figure 1

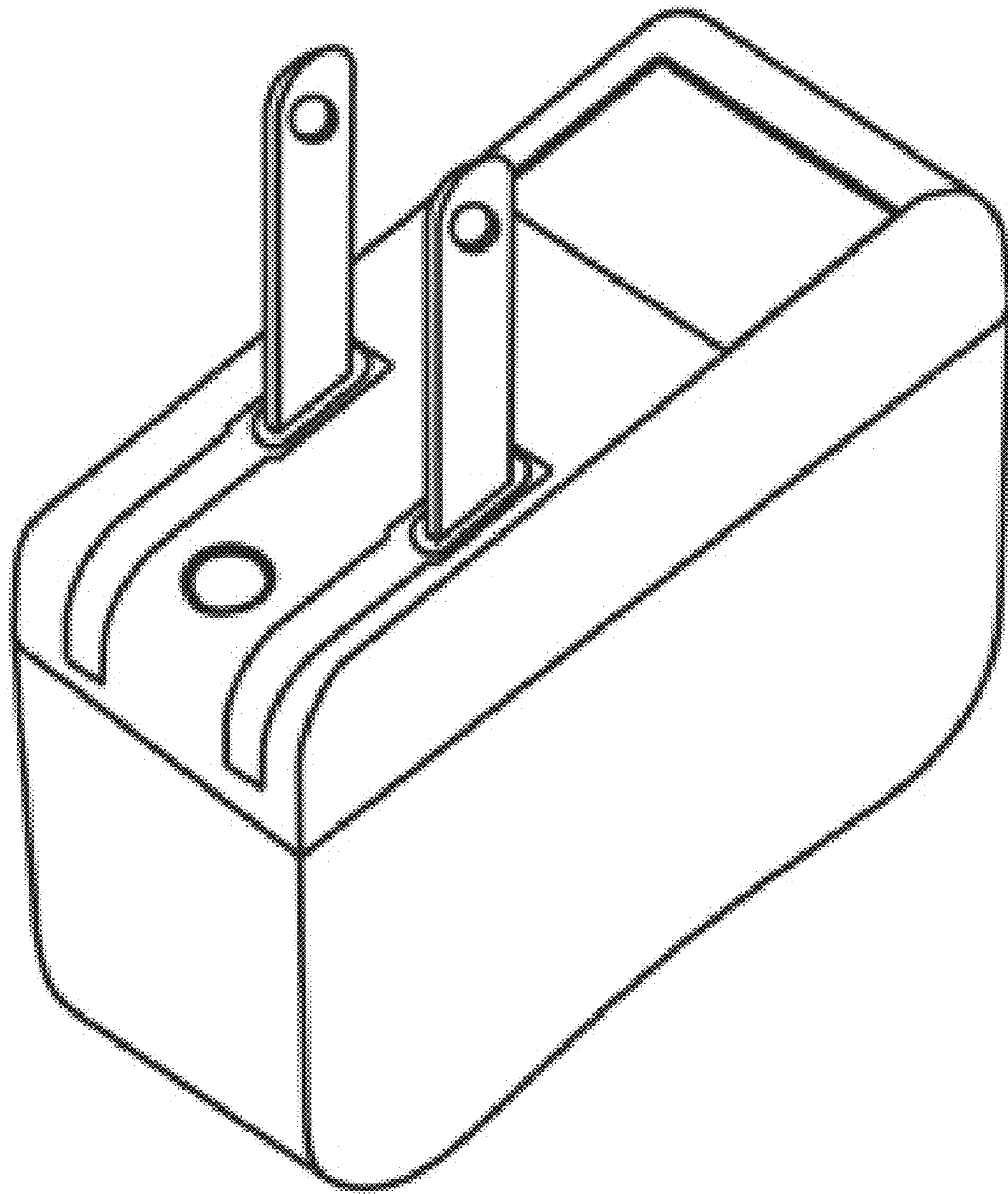


Figure 2

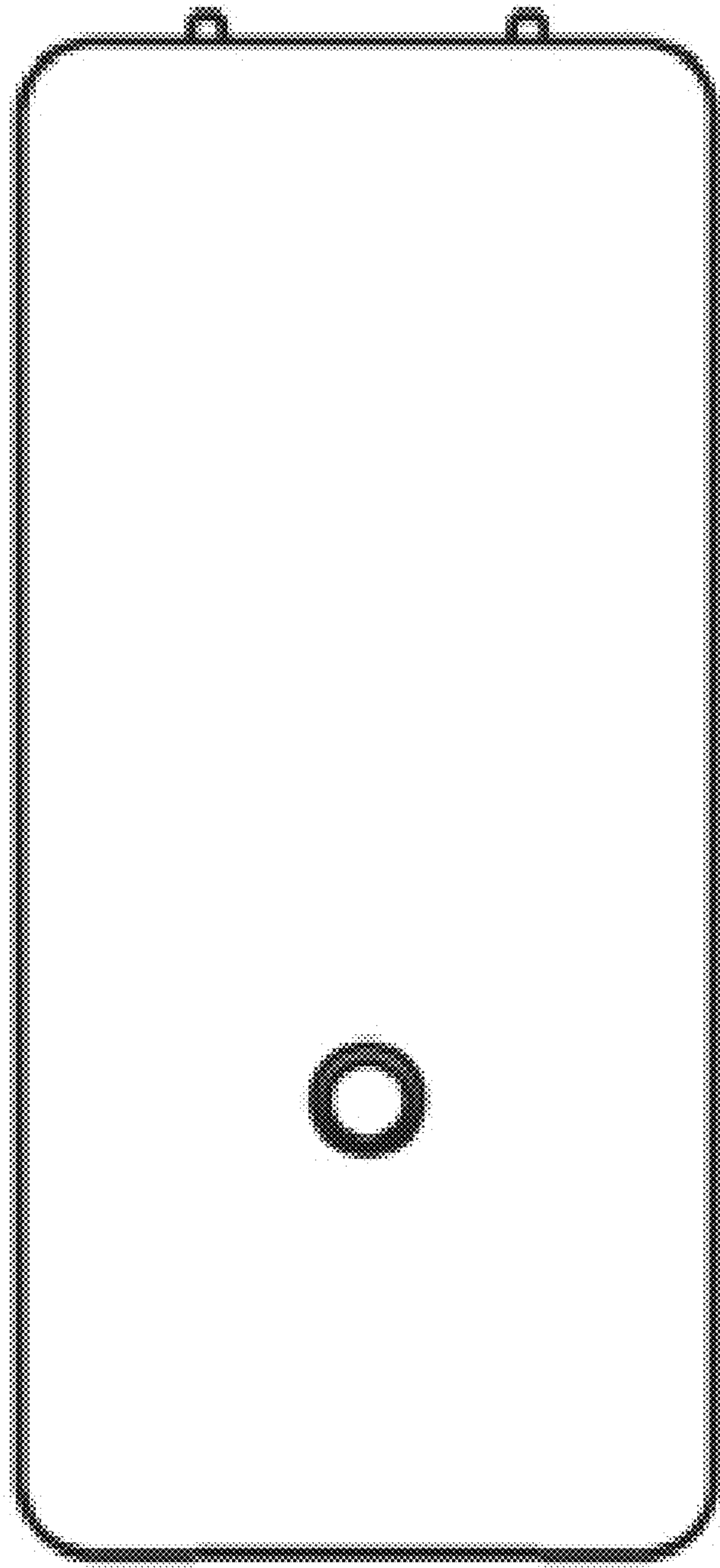


Figure 3

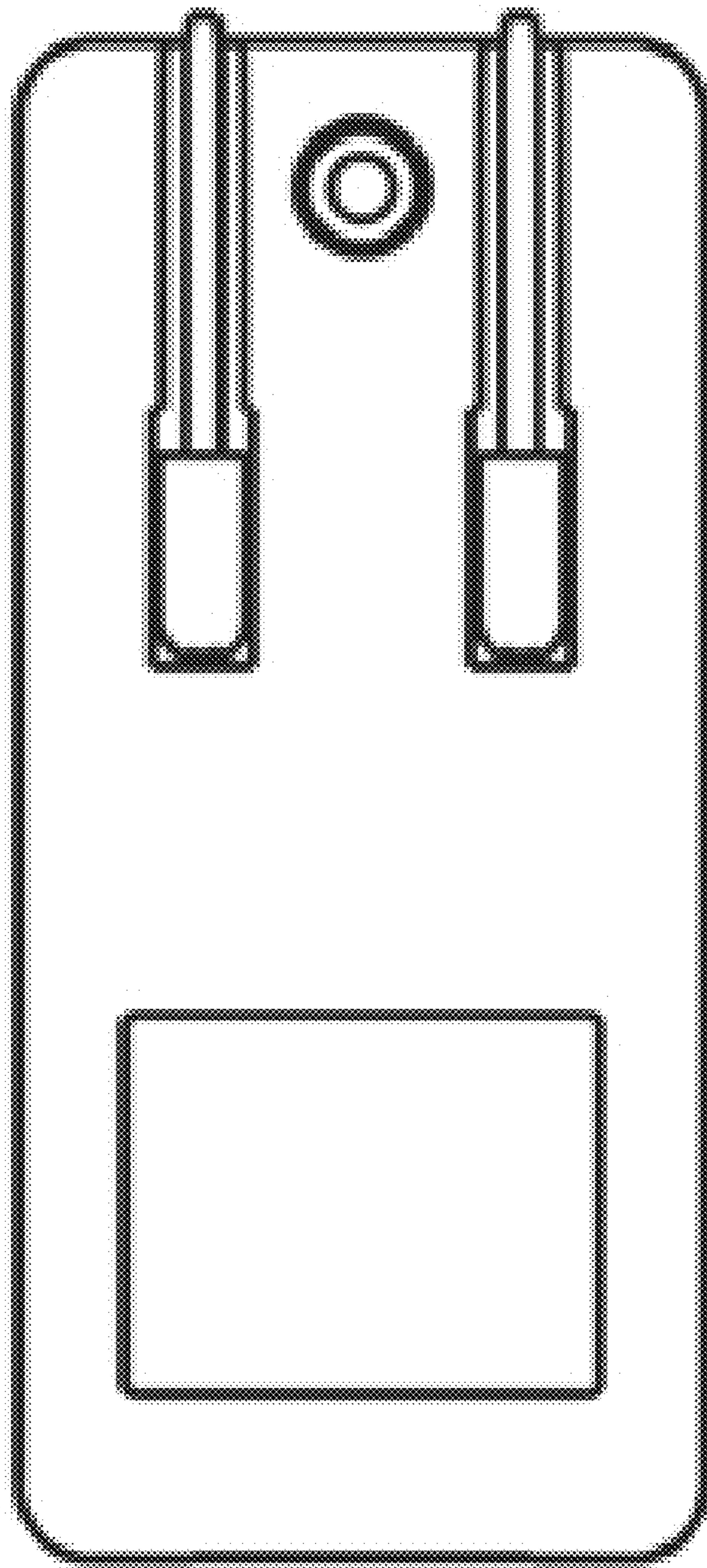


Figure 4

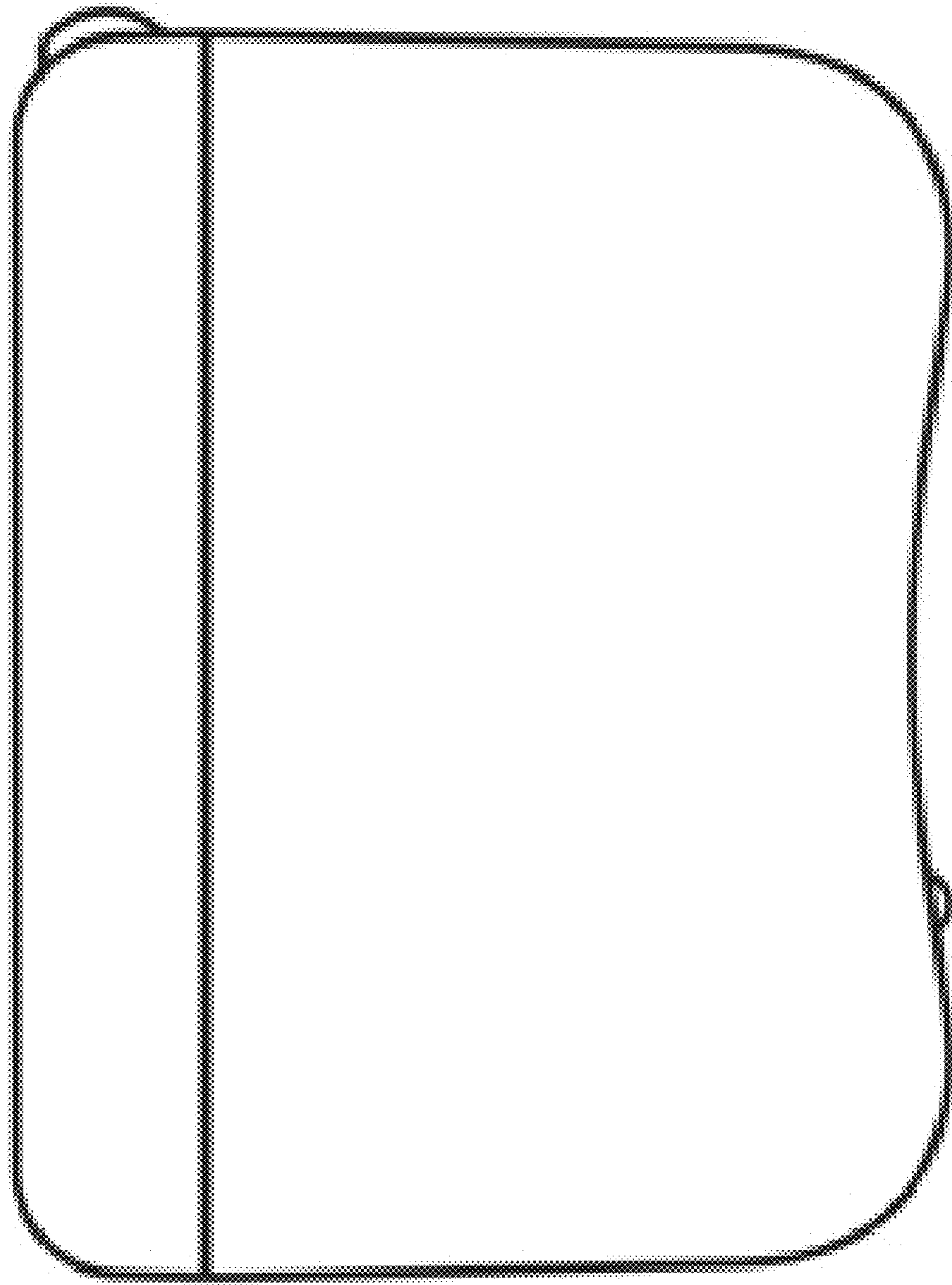


Figure 5

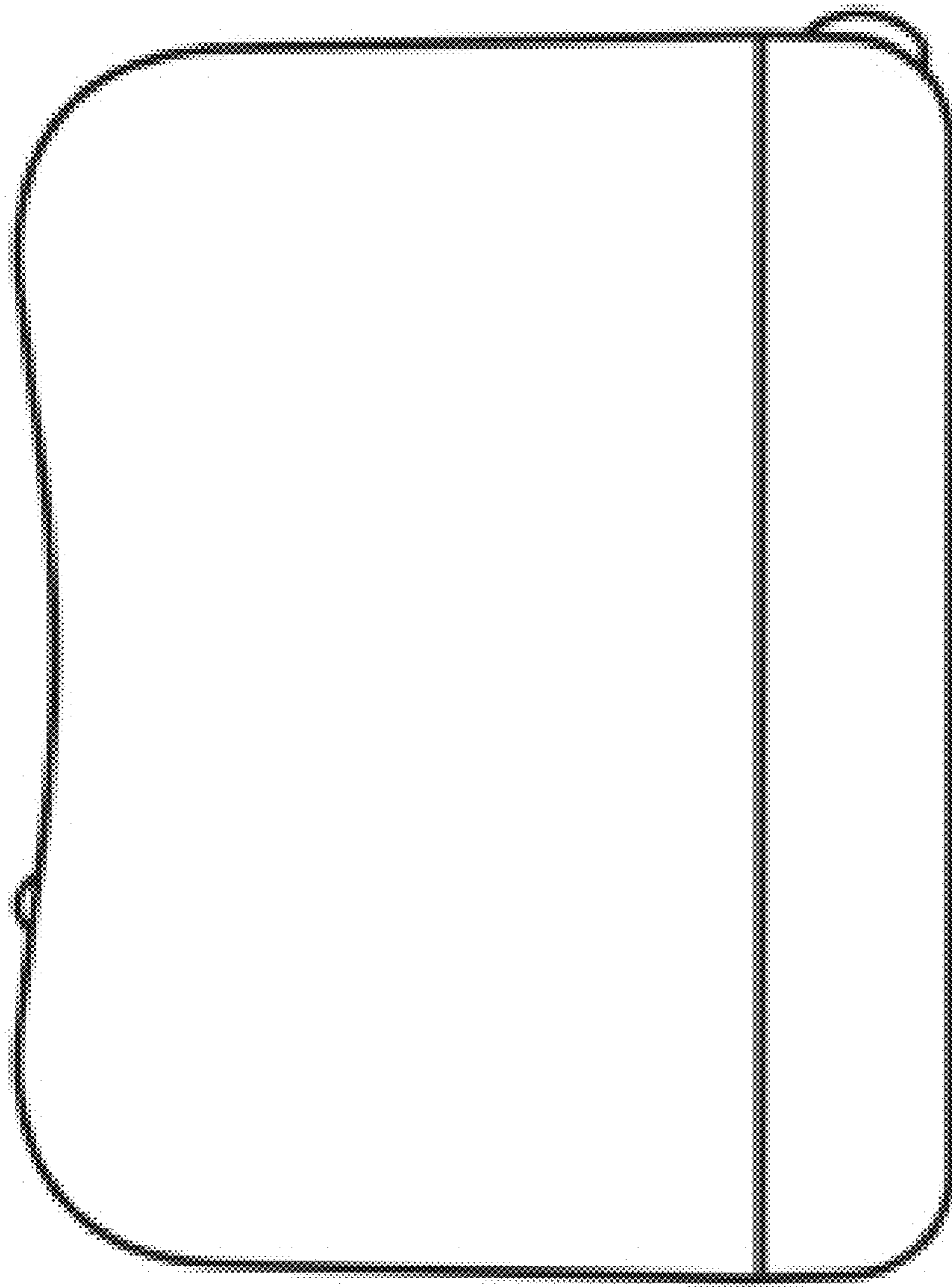


Figure 6

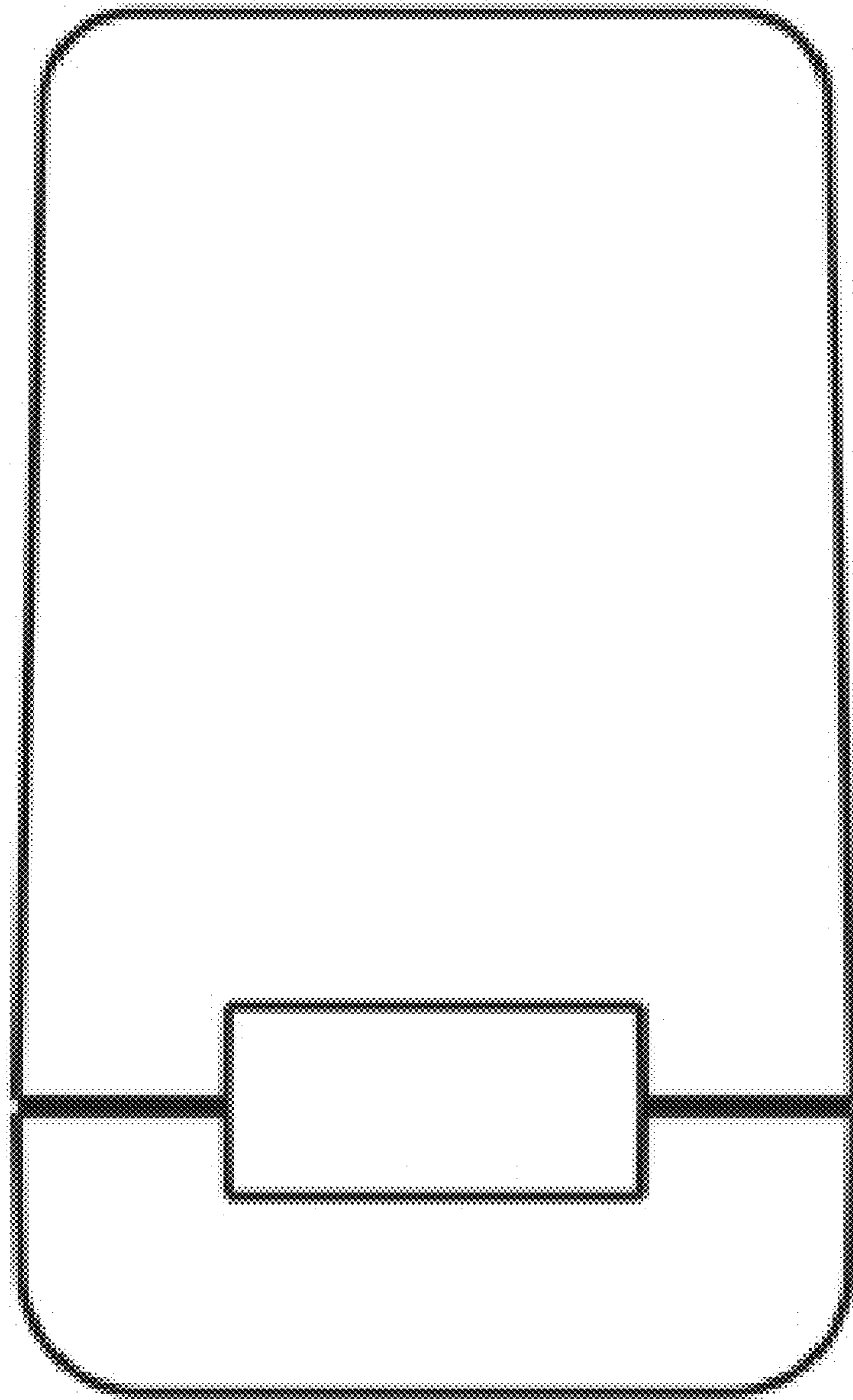


Figure 7

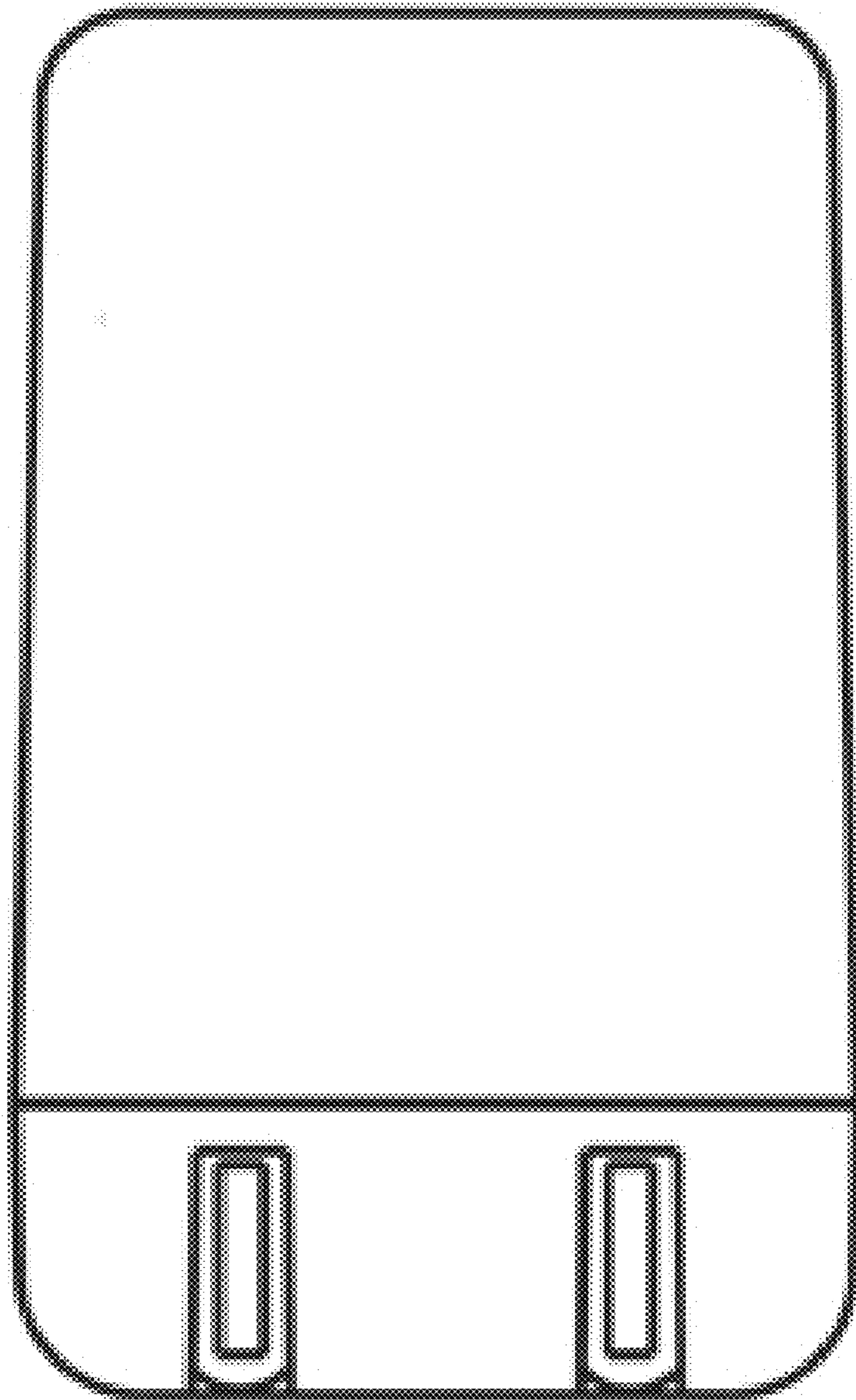


Figure 8