



US00D650328S

(12) **United States Design Patent**  
**Fitch et al.**

(10) **Patent No.:** **US D650,328 S**

(45) **Date of Patent:** **\*\* Dec. 13, 2011**

(54) **CHARGER**

(75) Inventors: **Jonathan A. Fitch**, Syracuse, NY (US);  
**David J. Hine**, Syracuse, NY (US);  
**Donwoong Kang**, Camillus, NY (US)

(73) Assignee: **Eveready Battery Company, Inc.**, St.  
Louis, MO (US)

(\*\*) Term: **14 Years**

(21) Appl. No.: **29/392,665**

(22) Filed: **May 25, 2011**

(51) **LOC (9) Cl.** ..... **13-02**

(52) **U.S. Cl.** ..... **D13/107**

(58) **Field of Classification Search** ..... D13/107-110,  
D13/118-119, 184, 199; D14/251, 253,  
D14/432, 434; 320/107-115

See application file for complete search history.

(56) **References Cited**

**U.S. PATENT DOCUMENTS**

D411,823	S	*	7/1999	Jacobs et al.	.....	D13/107
D456,004	S	*	4/2002	Lie	.....	D13/107
D463,360	S	*	9/2002	Lie	.....	D13/107
D465,452	S	*	11/2002	Lie	.....	D13/107
D466,075	S	*	11/2002	Lie	.....	D13/107
D515,501	S	*	2/2006	Kawasaki	.....	D13/107
D546,281	S	*	7/2007	Bell	.....	D13/107
D562,766	S	*	2/2008	Yang	.....	D13/110
D571,722	S	*	6/2008	Kang et al.	.....	D13/107
D573,088	S	*	7/2008	Castellucci et al.	.....	D13/107
D598,845	S	*	8/2009	Kingston et al.	.....	D13/107

D599,287	S	*	9/2009	Kingston et al.	.....	D13/107
D599,735	S	*	9/2009	Amidei et al.	.....	D13/107
7,589,493	B2	*	9/2009	Satsuma	.....	320/107
D623,129	S	*	9/2010	Kawakami et al.	.....	D13/107
D623,130	S	*	9/2010	Kawakami et al.	.....	D13/107
D632,646	S	*	2/2011	Fitch et al.	.....	D13/107
D632,647	S	*	2/2011	Fitch et al.	.....	D13/107
D639,732	S	*	6/2011	Ueda	.....	D13/107
2005/0046385	A1	*	3/2005	Chung	.....	320/114
2005/0225285	A1	*	10/2005	Cheng	.....	320/111
2011/0148357	A1	*	6/2011	Lu	.....	320/111

\* cited by examiner

*Primary Examiner* — Rosemary K Tarcaza

(74) *Attorney, Agent, or Firm* — Michael C. Pophal

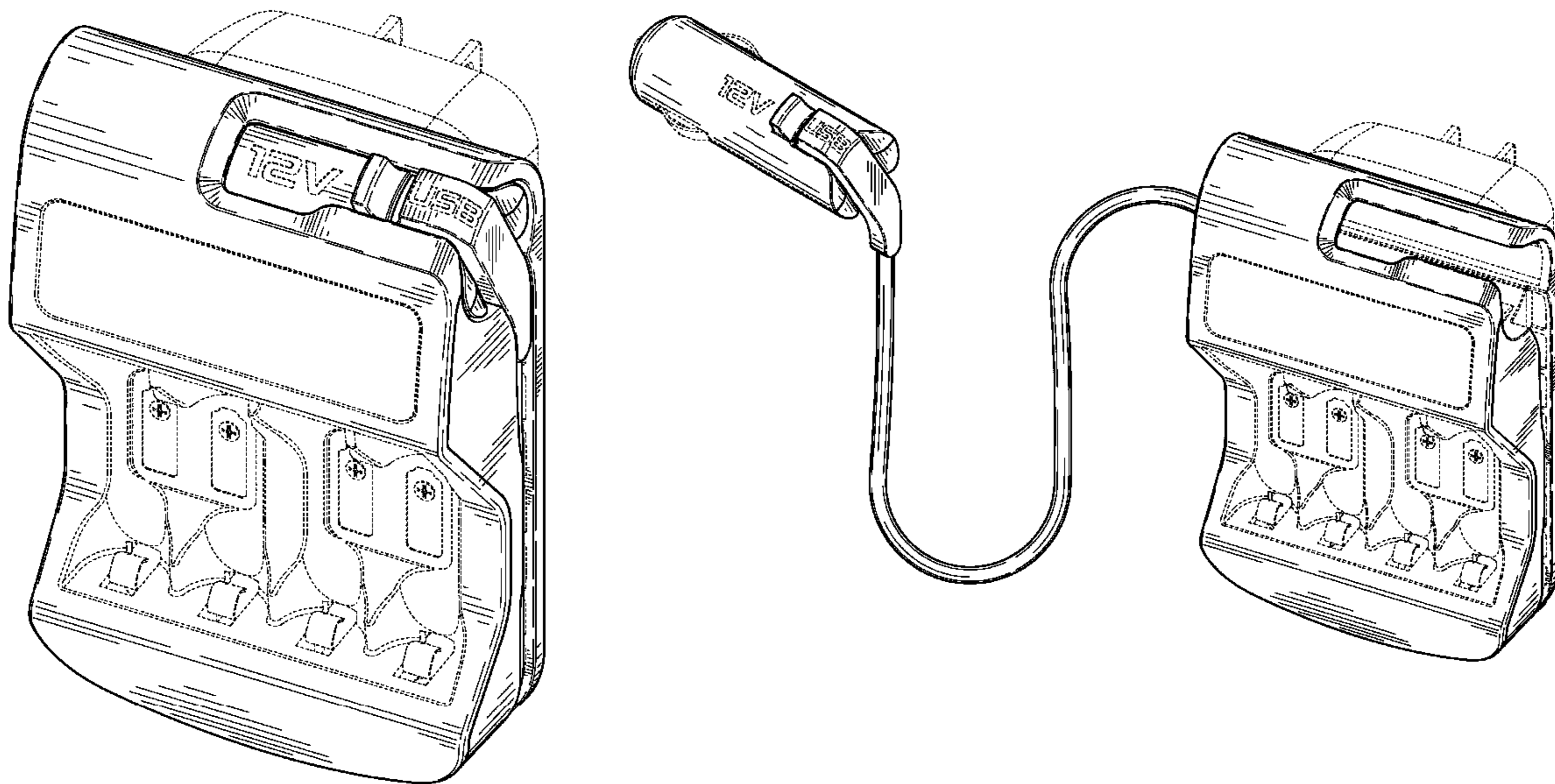
(57) **CLAIM**

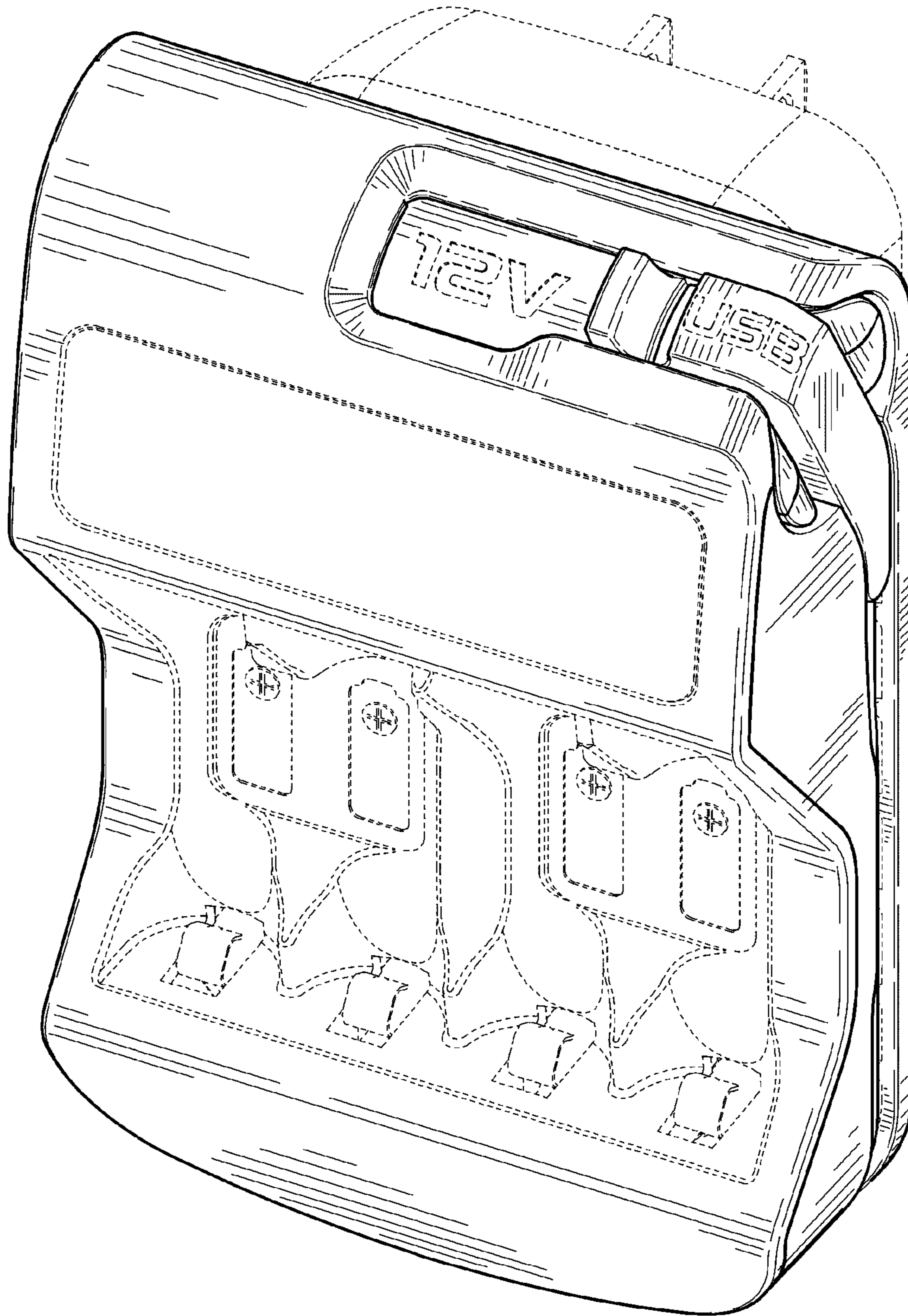
We claim the ornamental design for a charger, as shown and described.

**DESCRIPTION**

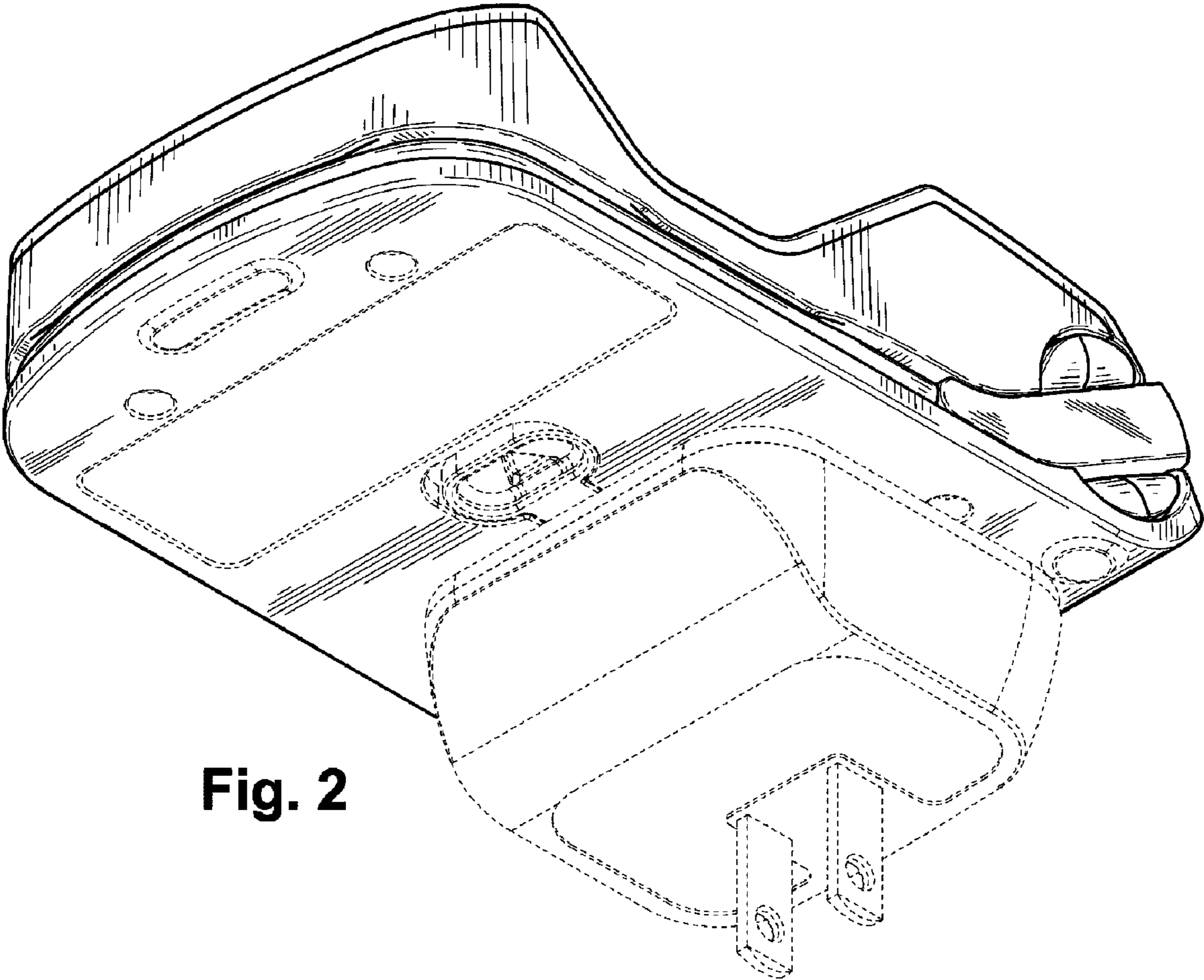
FIG. 1 is a front perspective view of the design.  
 FIG. 2 is a rear perspective view of the design.  
 FIG. 3 is a front view of the design.  
 FIG. 4 is a rear view of the design.  
 FIG. 5 is a right side view of the design.  
 FIG. 6 is a left side view of the design.  
 FIG. 7 is a bottom view of the design.  
 FIG. 8 is a top view of the design; and,  
 FIG. 9 is a second front perspective view of the design with the charging cord extended.  
 The broken lines shown in the drawings are included for the purpose of illustrating unclaimed portions of the charger and form no part of the claimed design.

**1 Claim, 7 Drawing Sheets**

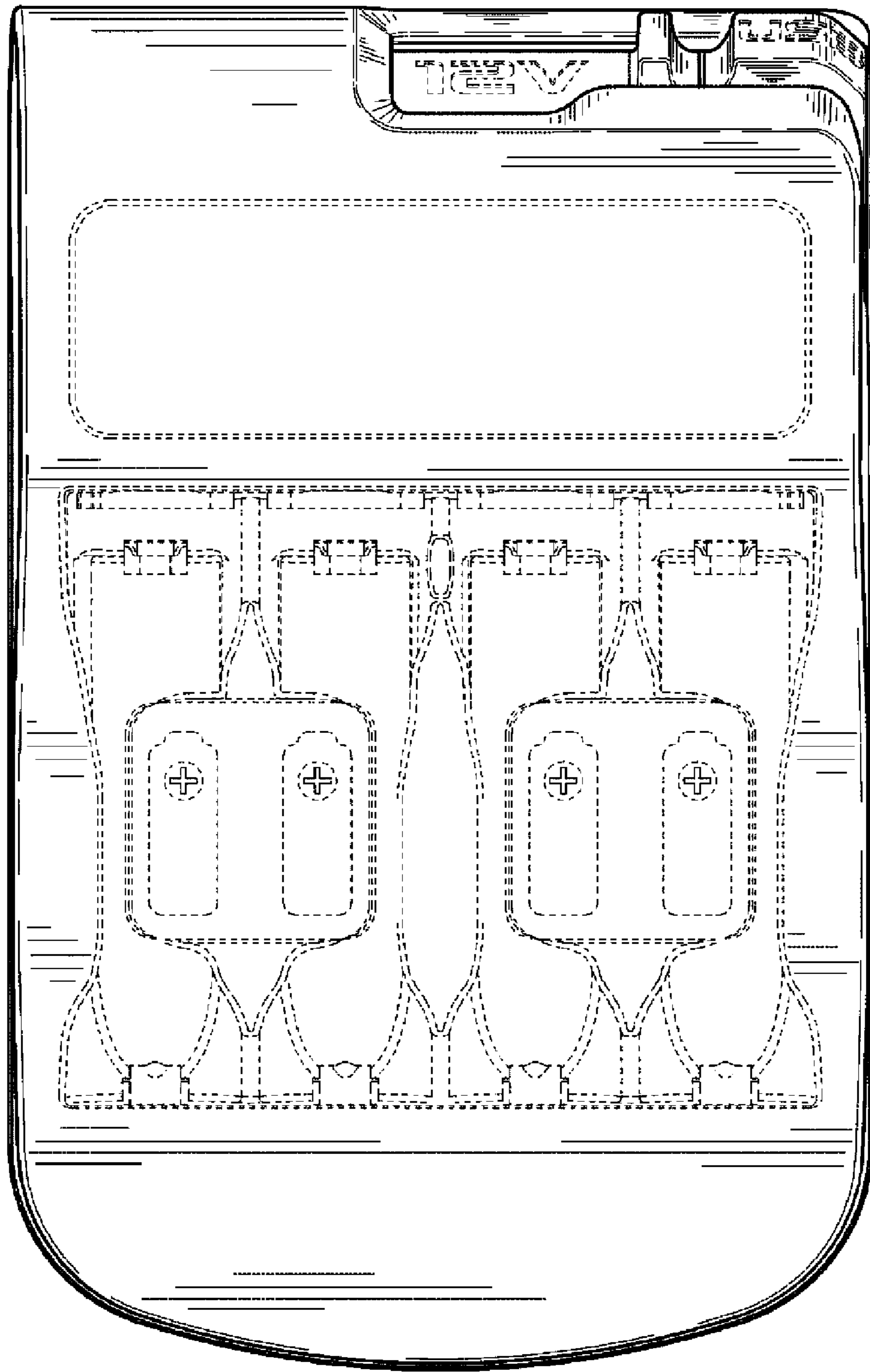




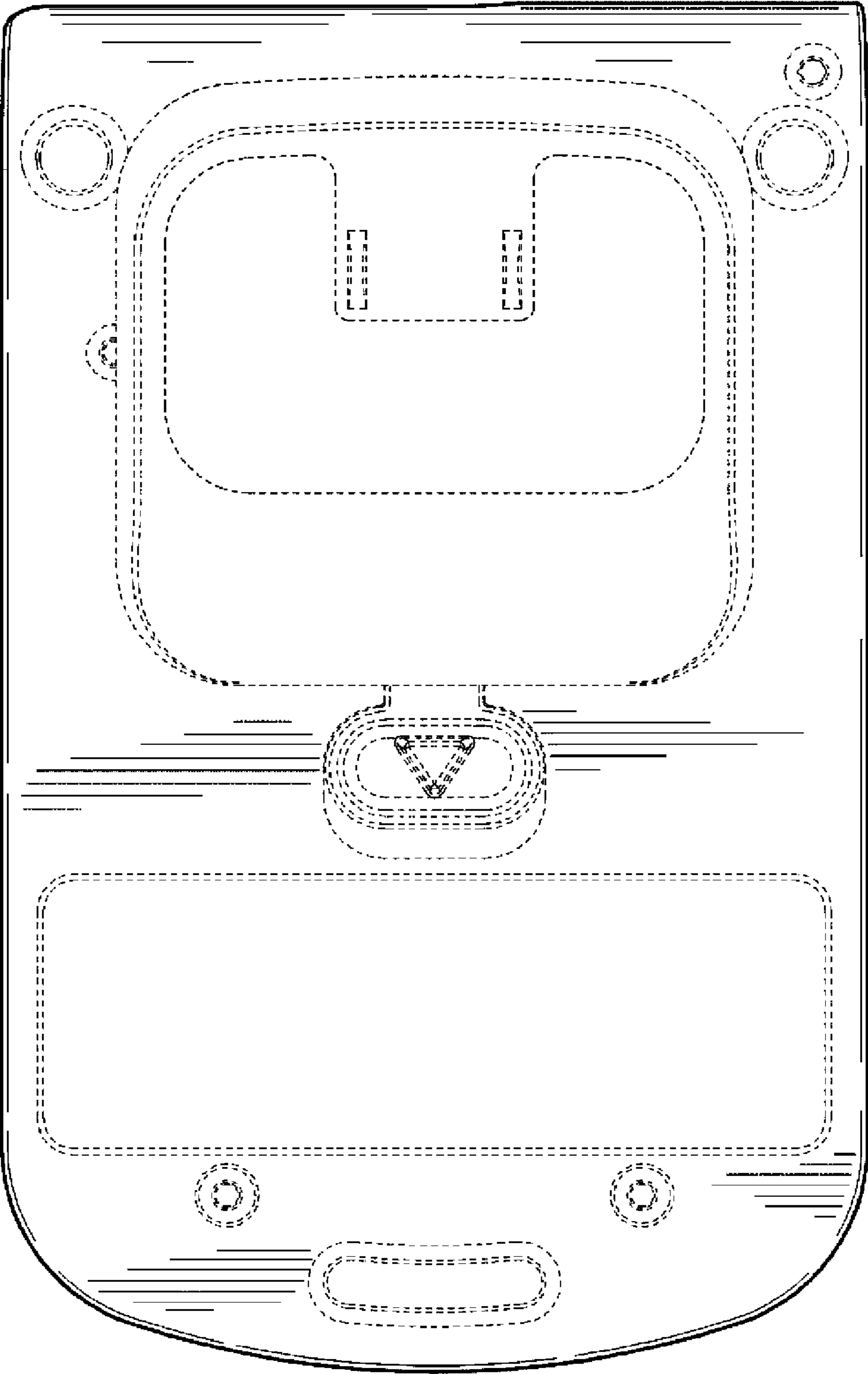
**Fig. 1**



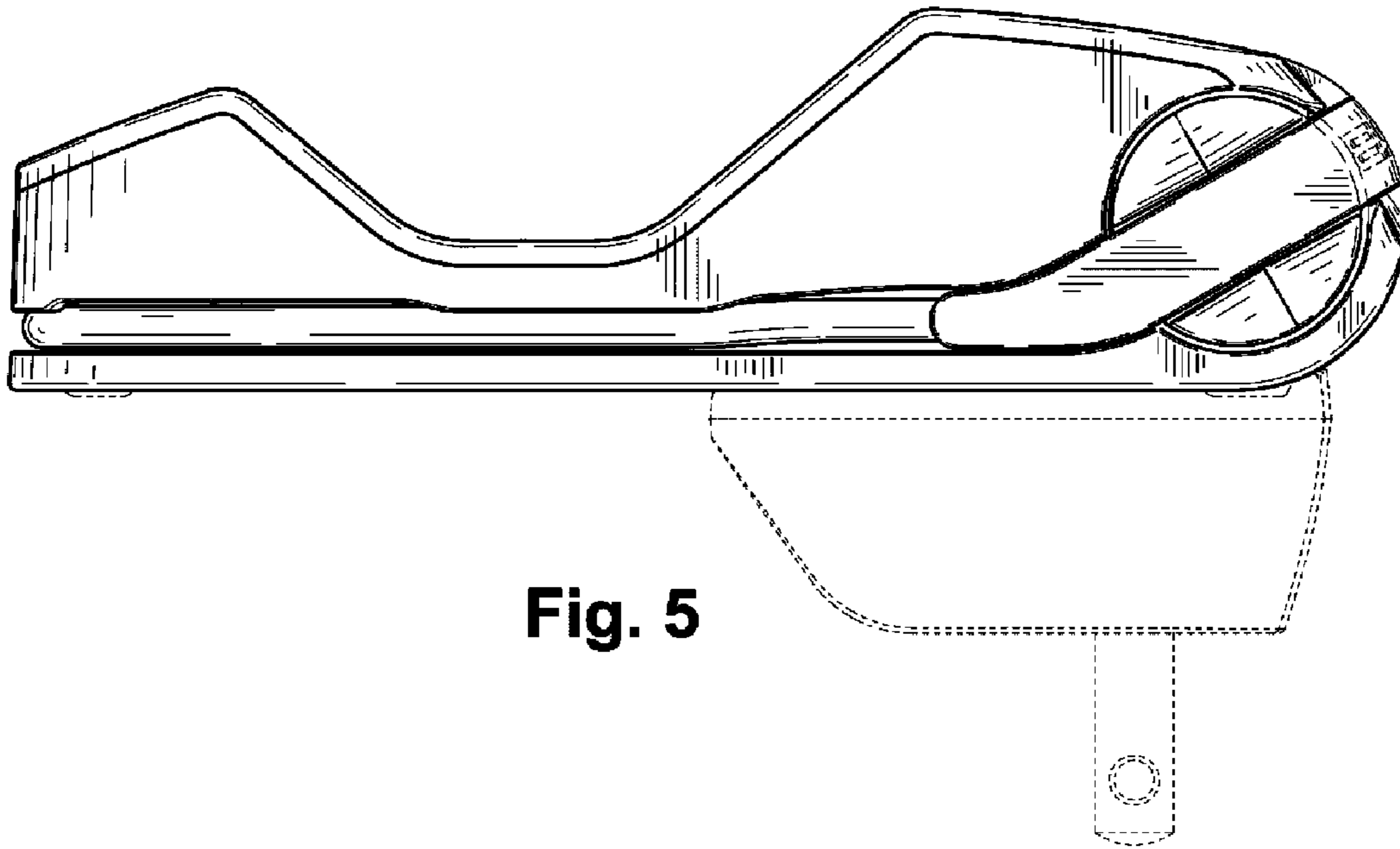
**Fig. 2**



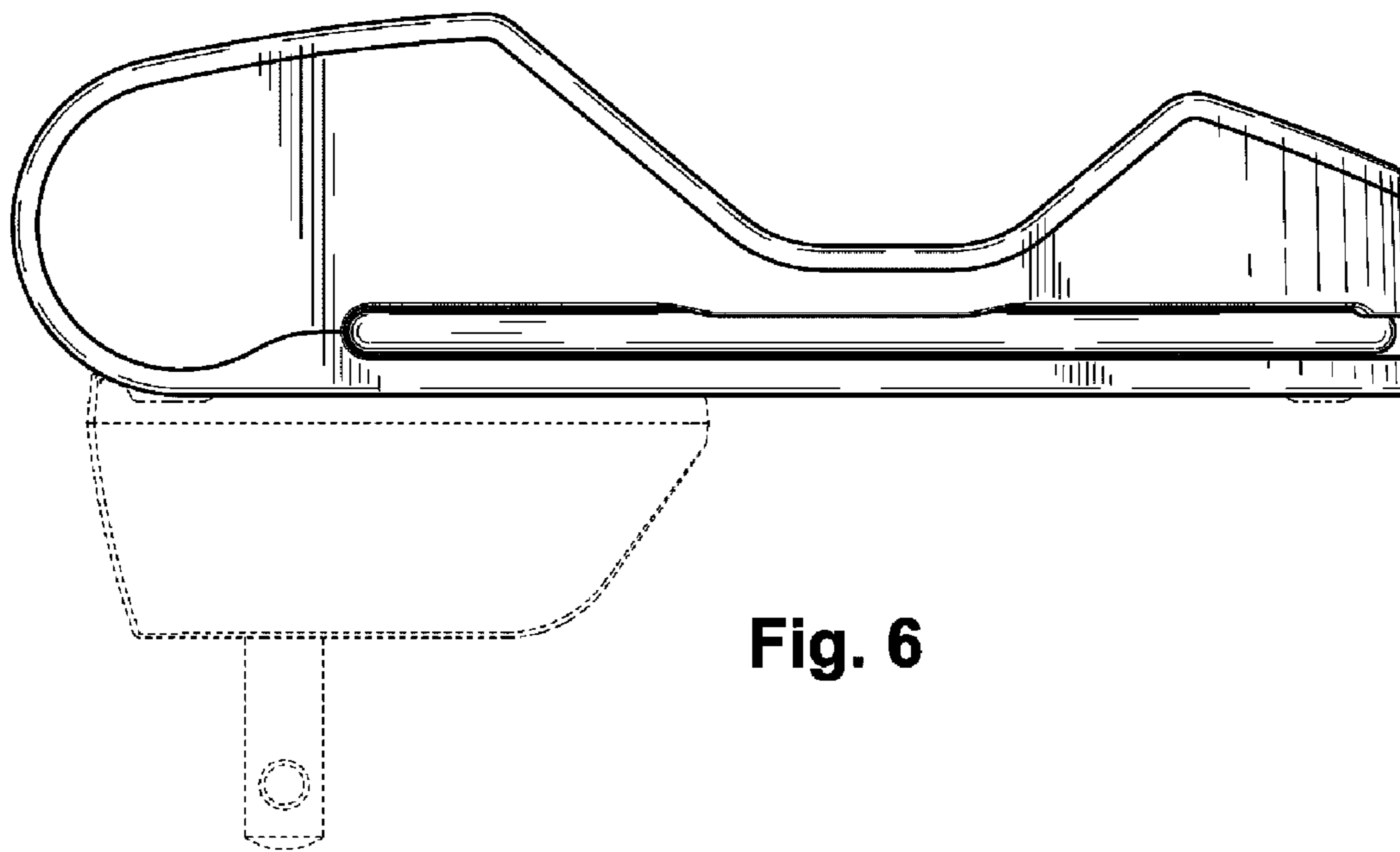
**Fig. 3**



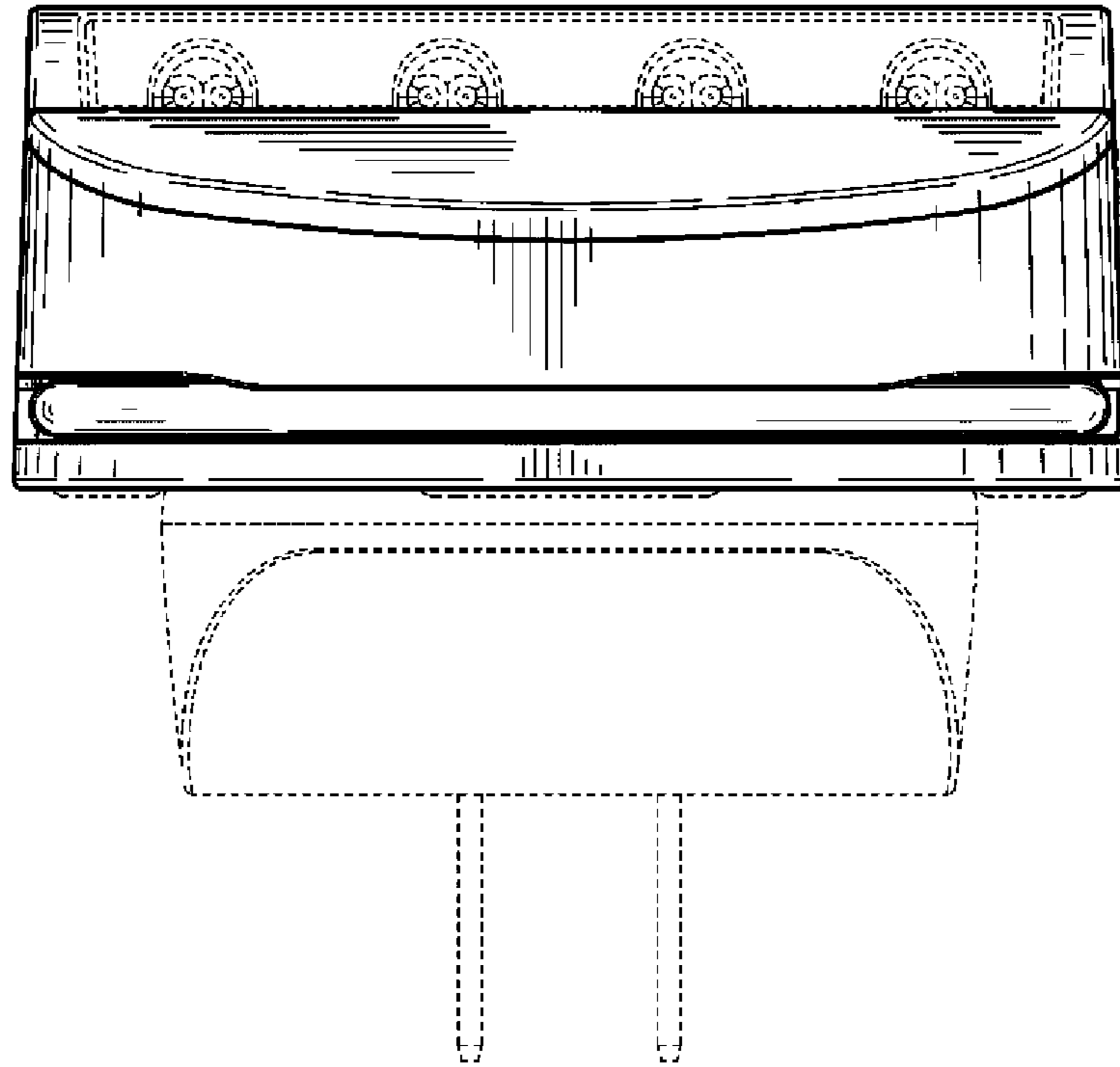
**Fig. 4**



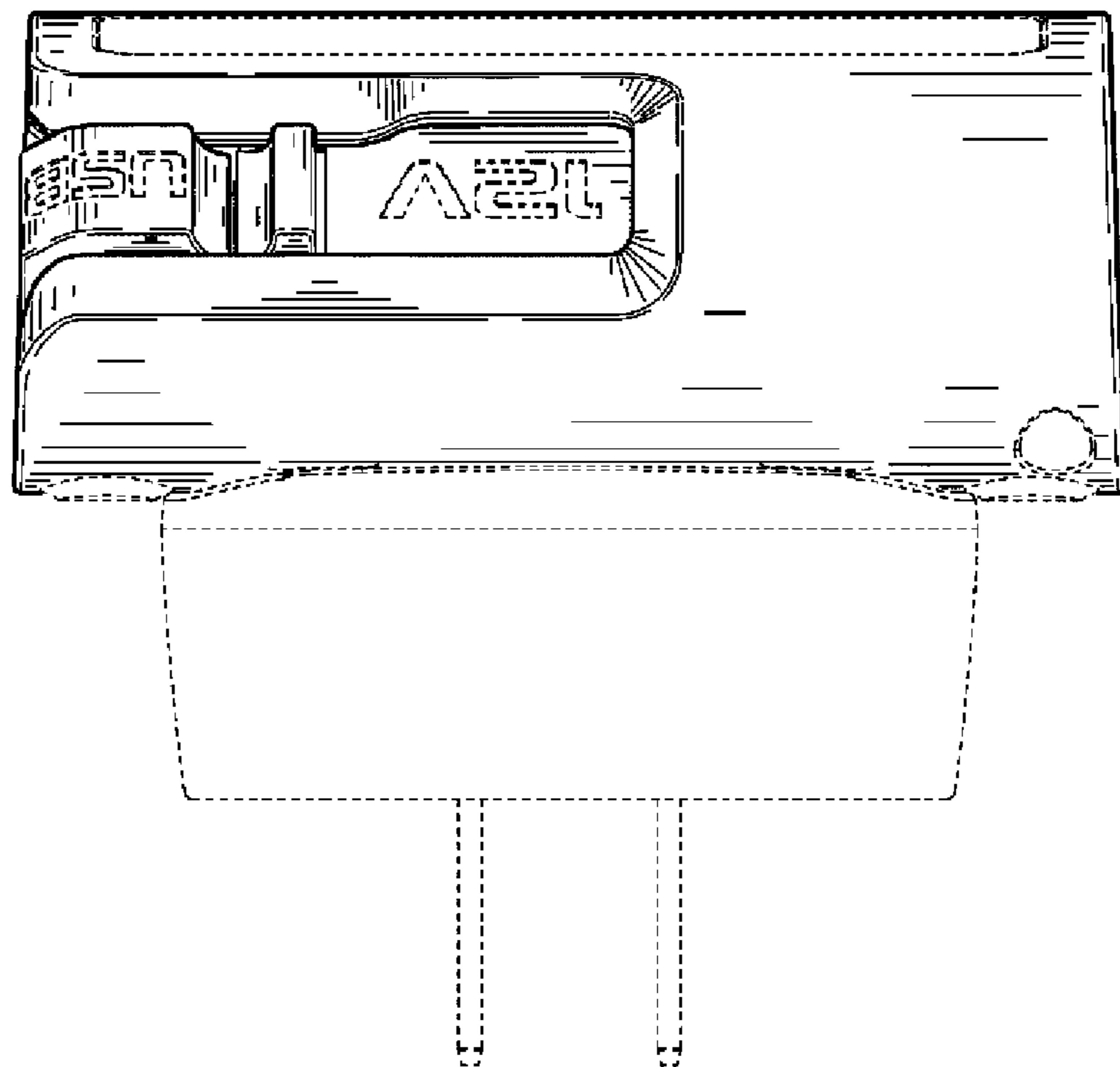
**Fig. 5**



**Fig. 6**



**Fig. 7**



**Fig. 8**

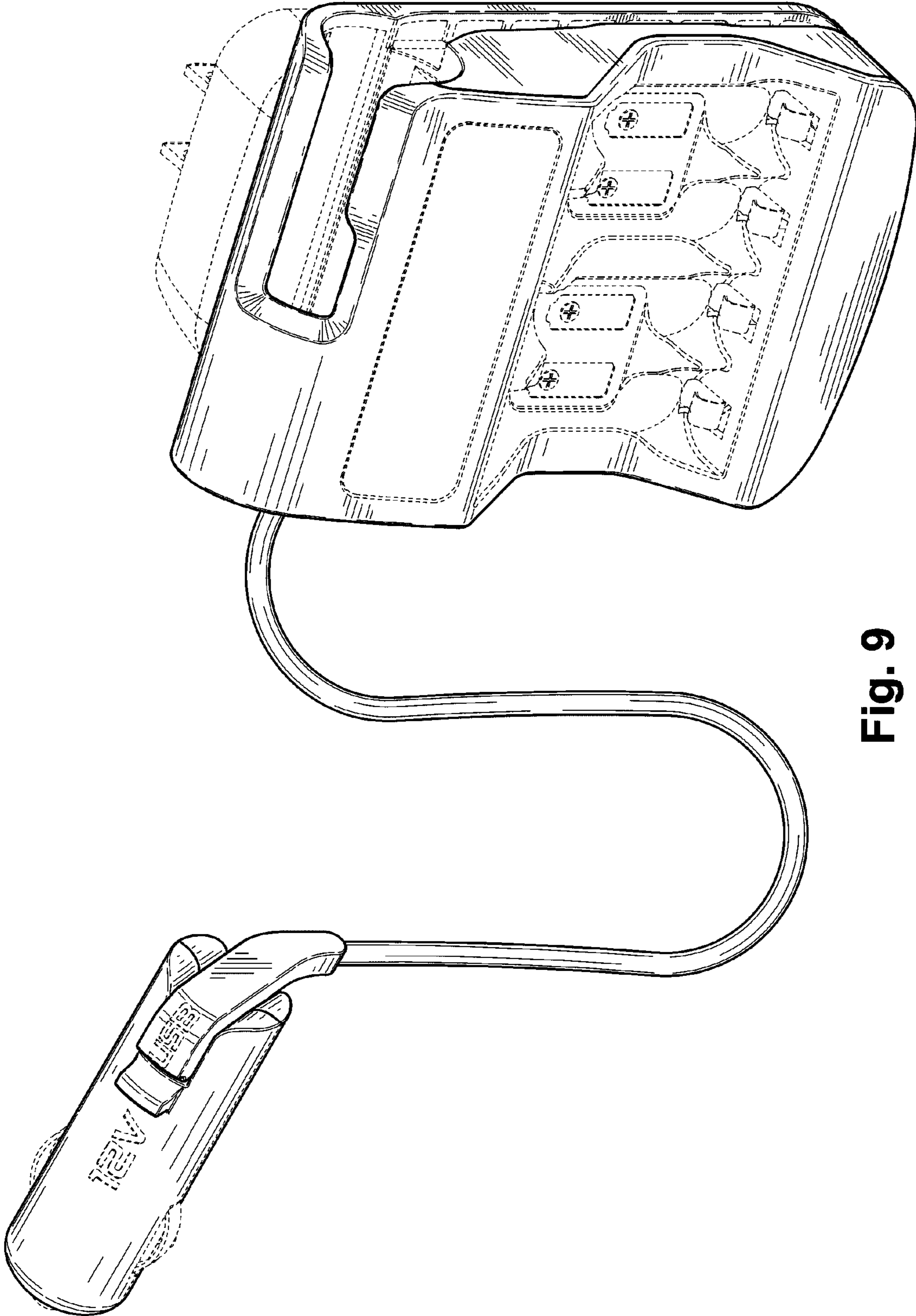


Fig. 9