



US00D650326S

(12) **United States Design Patent**
Yen

(10) **Patent No.:** **US D650,326 S**

(45) **Date of Patent:** **** *Dec. 13, 2011**

(54) **CHARGER**

(75) Inventor: **Li-Li Yen**, Taichung (TW)

(73) Assignee: **Sung Huo Kuang Environmental Technology Co., Ltd.**, Raichung (TW)

(*) Notice: This patent is subject to a terminal disclaimer.

(**) Term: **14 Years**

(21) Appl. No.: **29/375,956**

(22) Filed: **Sep. 30, 2010**

(51) **LOC (9) Cl.** **13-02**

(52) **U.S. Cl.** **D13/107**

(58) **Field of Classification Search** D13/107-110,
D13/118-119, 184, 199; D14/251, 253,
D14/432, 434; 320/107-115
See application file for complete search history.

(56) **References Cited**

U.S. PATENT DOCUMENTS

D277,845 S *	3/1985	Ip	D13/107
D333,120 S *	2/1993	Shimoo et al.	D13/107
D442,544 S *	5/2001	Ku	D13/107
D478,557 S *	8/2003	Pfeiffer	D13/107

D483,014 S *	12/2003	Hsiao	D13/107
D504,868 S *	5/2005	Lodato et al.	D13/107
D543,934 S *	6/2007	Kang et al.	D13/107
D550,614 S *	9/2007	Fee et al.	D13/107
D565,506 S *	4/2008	Sacco et al.	D13/107
D572,655 S *	7/2008	Osiecki et al.	D13/107
D598,845 S *	8/2009	Kingston et al.	D13/107
D623,129 S *	9/2010	Kawakami et al.	D13/107

* cited by examiner

Primary Examiner — Rosemary K Tarcza

(74) *Attorney, Agent, or Firm* — Whyte Hirschboedk Dudek S.C.

(57) **CLAIM**

The ornamental design for charger, as shown and described.

DESCRIPTION

FIG. 1 is a perspective view of charger showing my new design;

FIG. 2 is a front elevational view thereof;

FIG. 3 is a rear elevational view thereof;

FIG. 4 is a left side elevational view thereof;

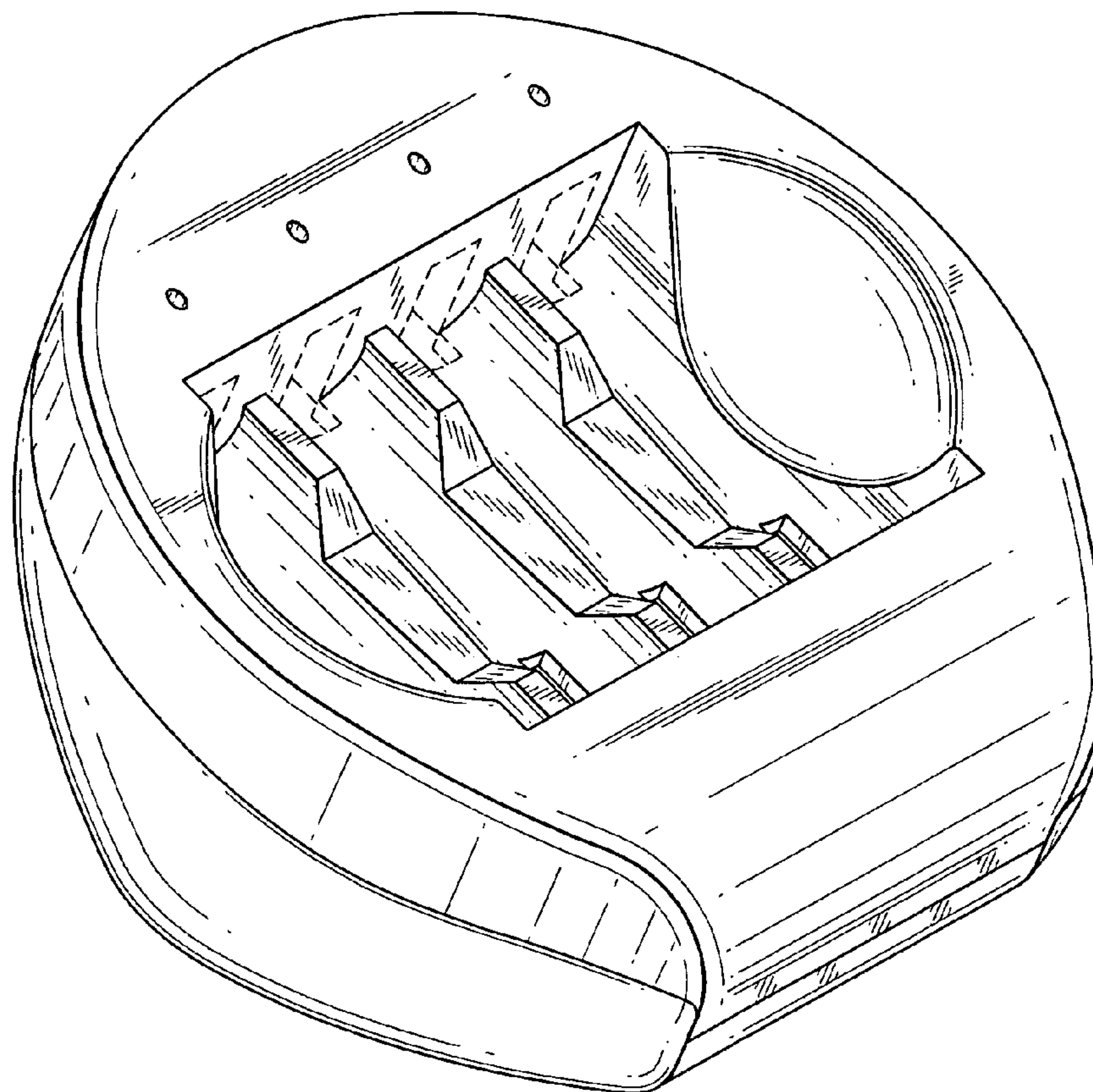
FIG. 5 is a right side elevational view thereof;

FIG. 6 is a top plan view thereof; and,

FIG. 7 is a bottom plan view thereof.

The broken lines shown in the drawings are included for the purpose of illustrating unclaimed portions of the charger and form no part of the claimed design.

1 Claim, 7 Drawing Sheets



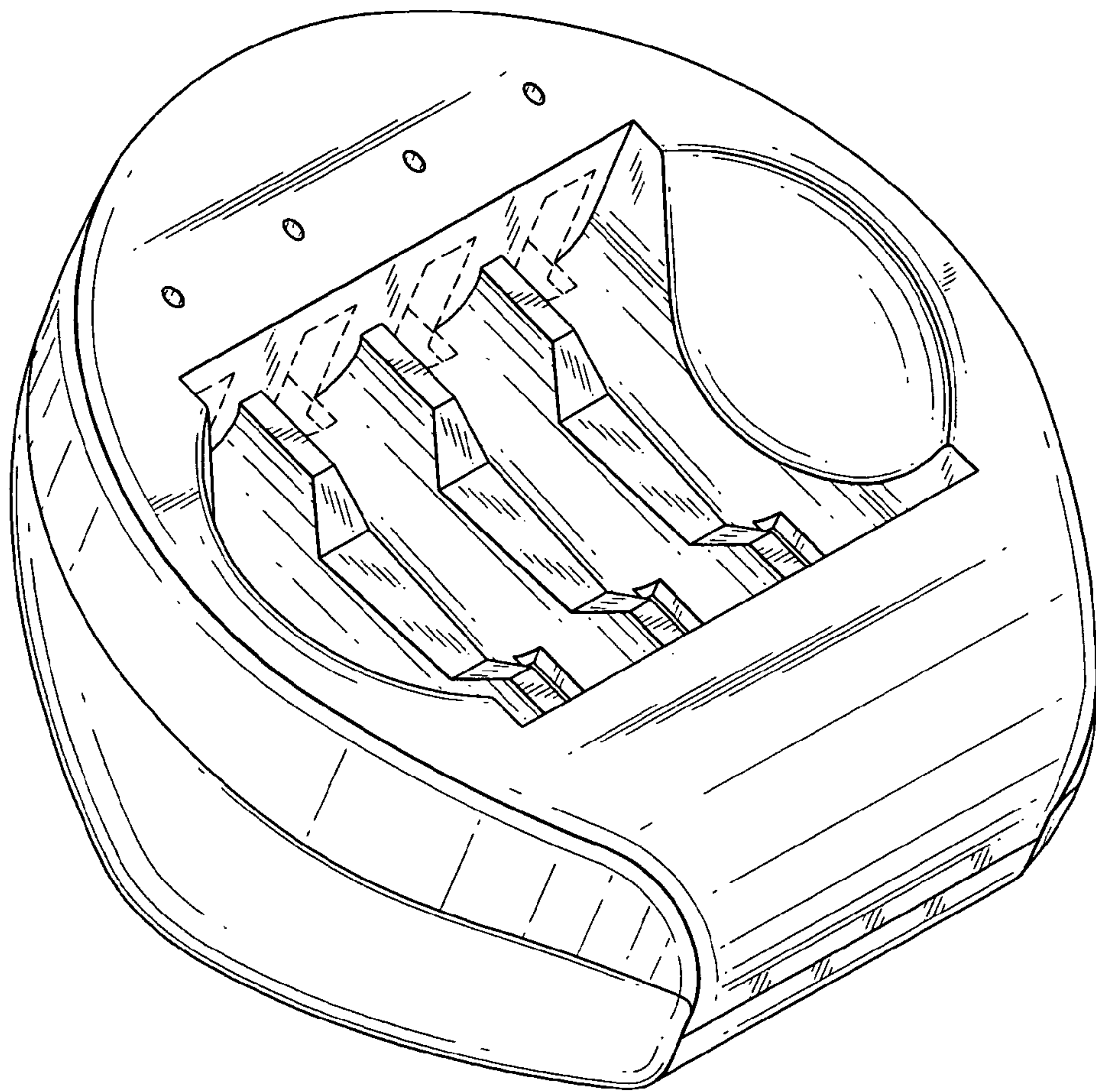


FIG. 1

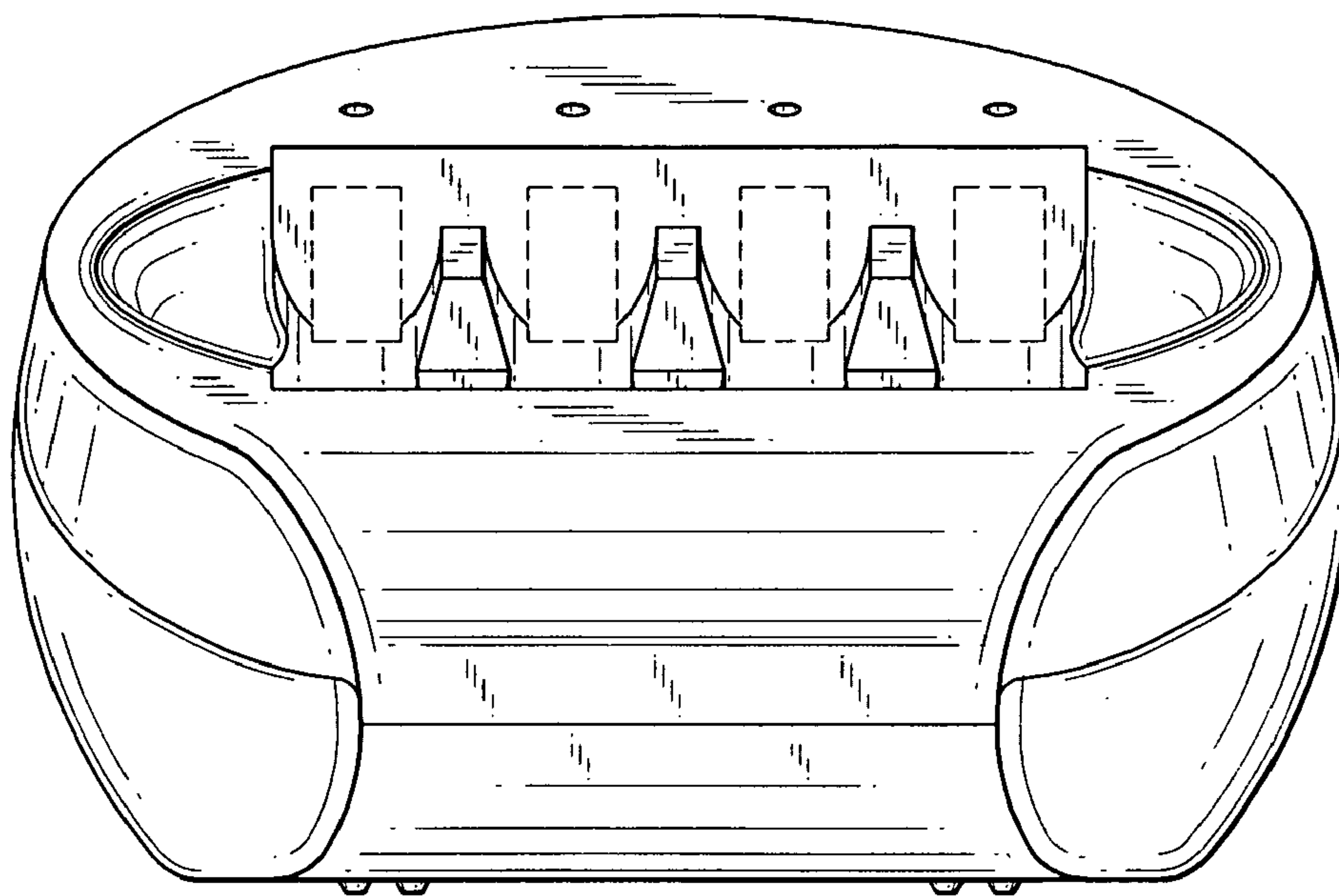


FIG. 2

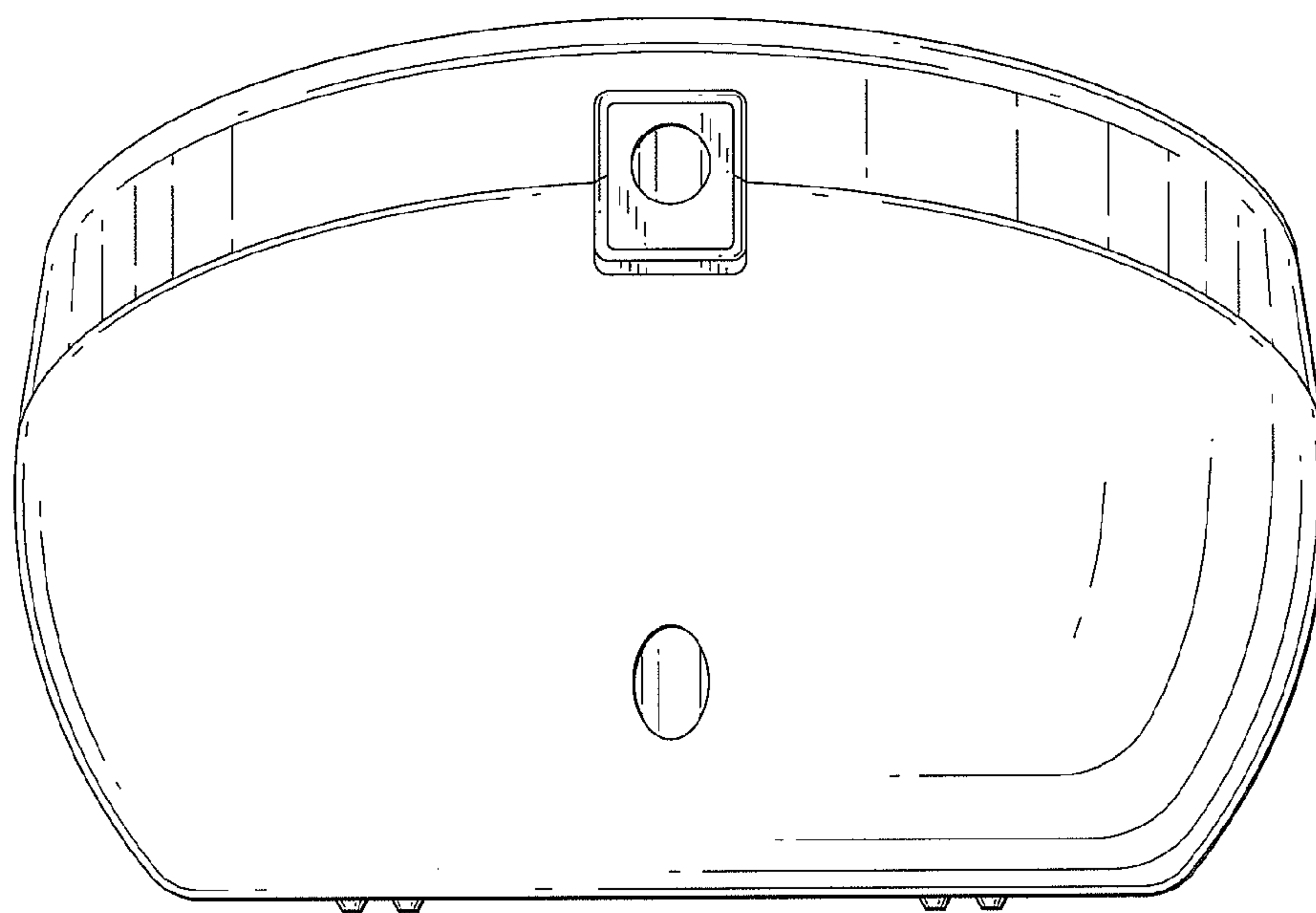


FIG. 3

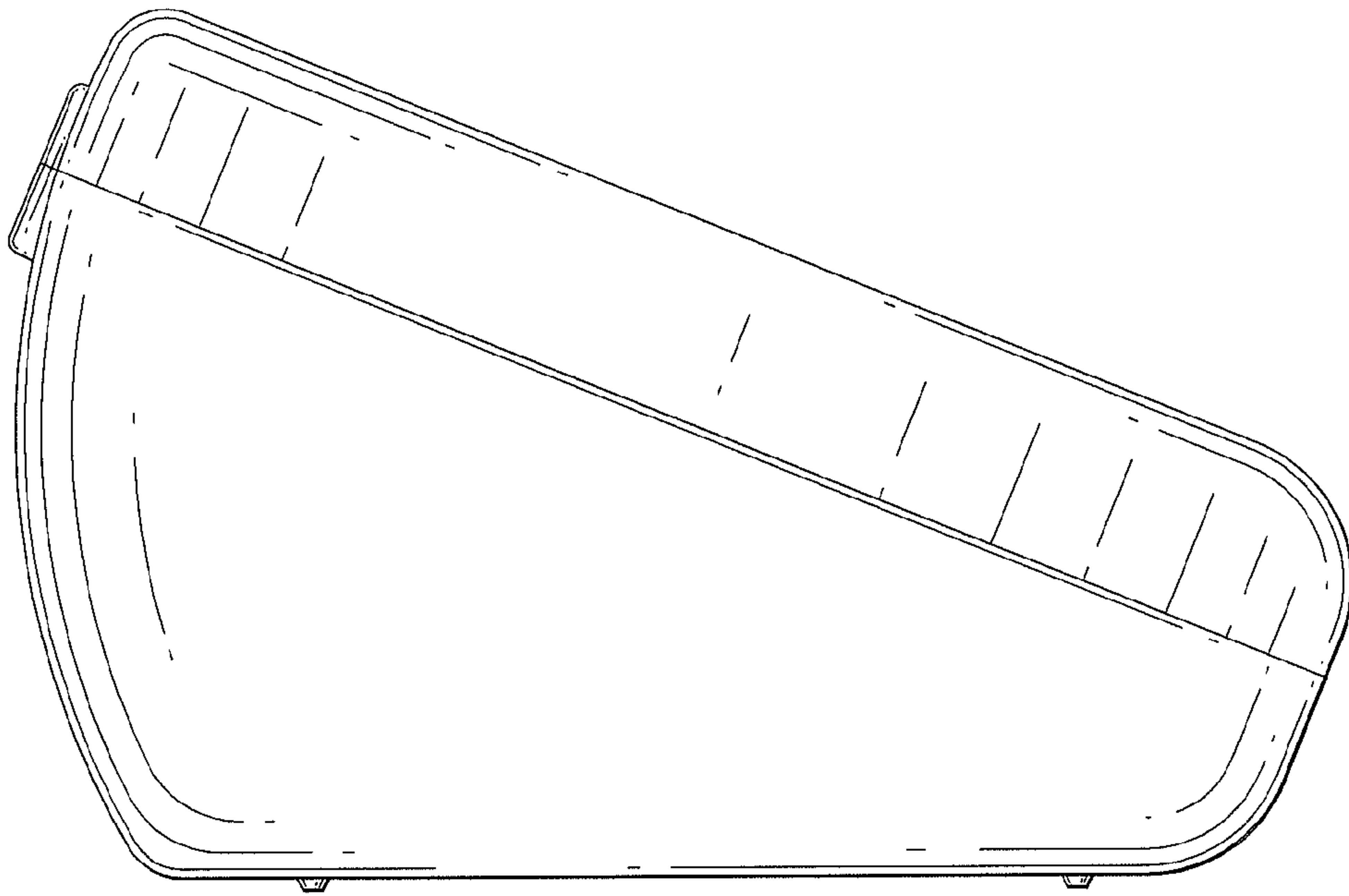


FIG. 4

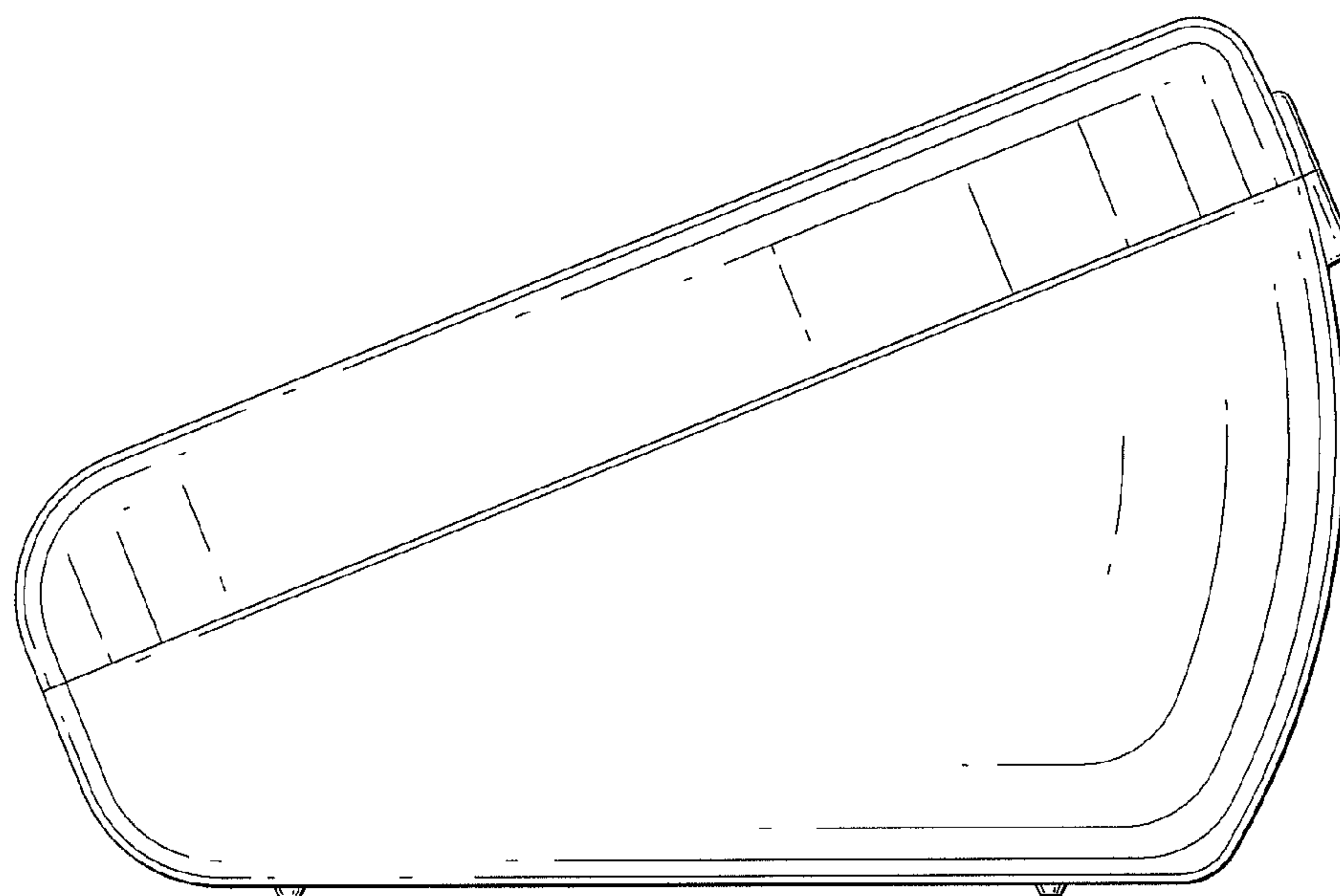


FIG. 5

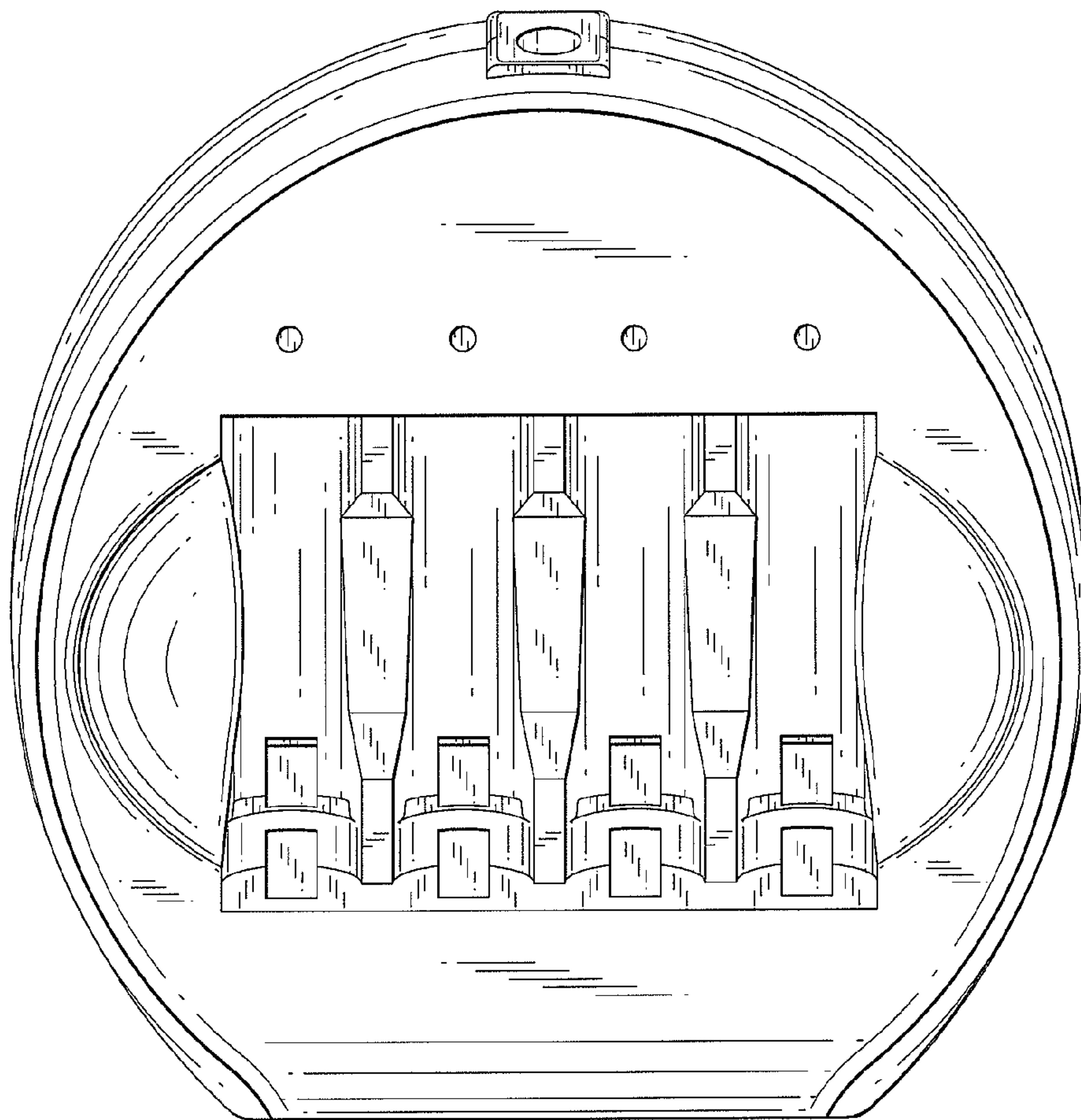


FIG. 6

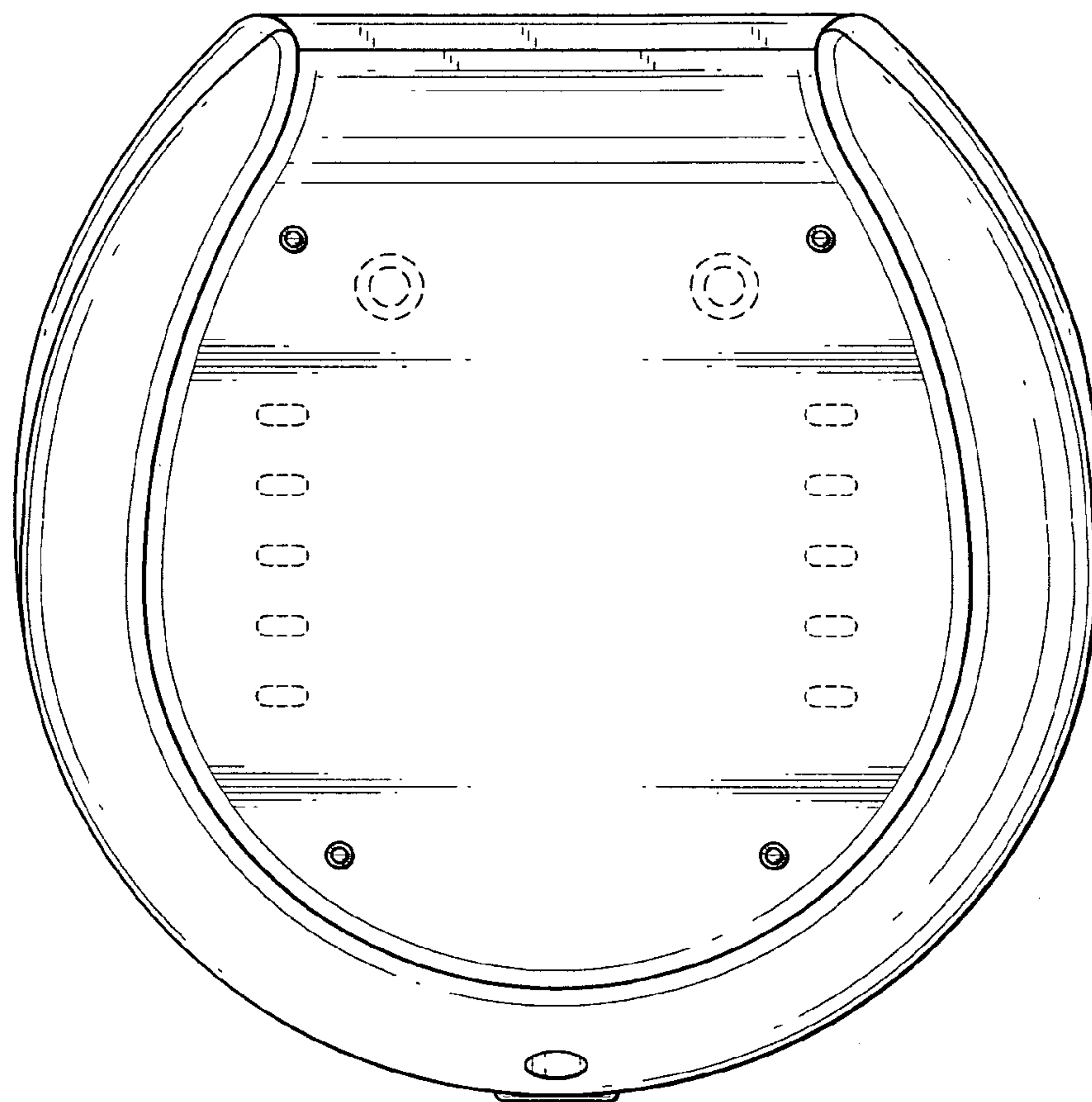


FIG. 7