



US00D650325S

(12) **United States Design Patent**
Kim et al.

(10) **Patent No.:** **US D650,325 S**

(45) **Date of Patent:** **** Dec. 13, 2011**

- (54) **BATTERY FOR NOTEBOOK COMPUTER**
- (75) Inventors: **Dae-Joung Kim**, Seoul (KR); **Woo-Seok Lee**, Seoul (KR); **Sang-II Park**, Kyunggi-do (KR); **Soo-Jung Ham**, Seoul (KR)
- (73) Assignee: **Samsung Electronics Co., Ltd.**, Suwon (KR)

D429,210	S	*	8/2000	Chintala et al.	D13/103
D434,722	S	*	12/2000	Zolyomi et al.	D13/103
6,376,122	B1	*	4/2002	Cheeseman	429/99
D480,048	S	*	9/2003	Jigamian	D13/103
D523,393	S	*	6/2006	Meier et al.	D13/103
D555,586	S	*	11/2007	McConnell	D13/103
D558,140	S	*	12/2007	Kumano	D13/103
D631,834	S	*	2/2011	Neidhart	D13/103
D631,835	S	*	2/2011	Neidhart	D13/103
D632,643	S	*	2/2011	Tanaka et al.	D13/103

- (**) Term: **14 Years**
- (21) Appl. No.: **29/390,440**
- (22) Filed: **Apr. 25, 2011**

FOREIGN PATENT DOCUMENTS

KR 3004327310000 12/2006

* cited by examiner

Primary Examiner — Rosemary K Tarcza

(74) *Attorney, Agent, or Firm* — Wood, Herron & Evans, LLP

- (30) **Foreign Application Priority Data**
Dec. 9, 2010 (KR) 3020100053325
- (51) **LOC (9) Cl.** **13-02**
- (52) **U.S. Cl.** **D13/103**
- (58) **Field of Classification Search** D13/102–106,
D13/110, 118–119, 184, 199; 429/96–100,
429/163, 176
See application file for complete search history.

(57) **CLAIM**

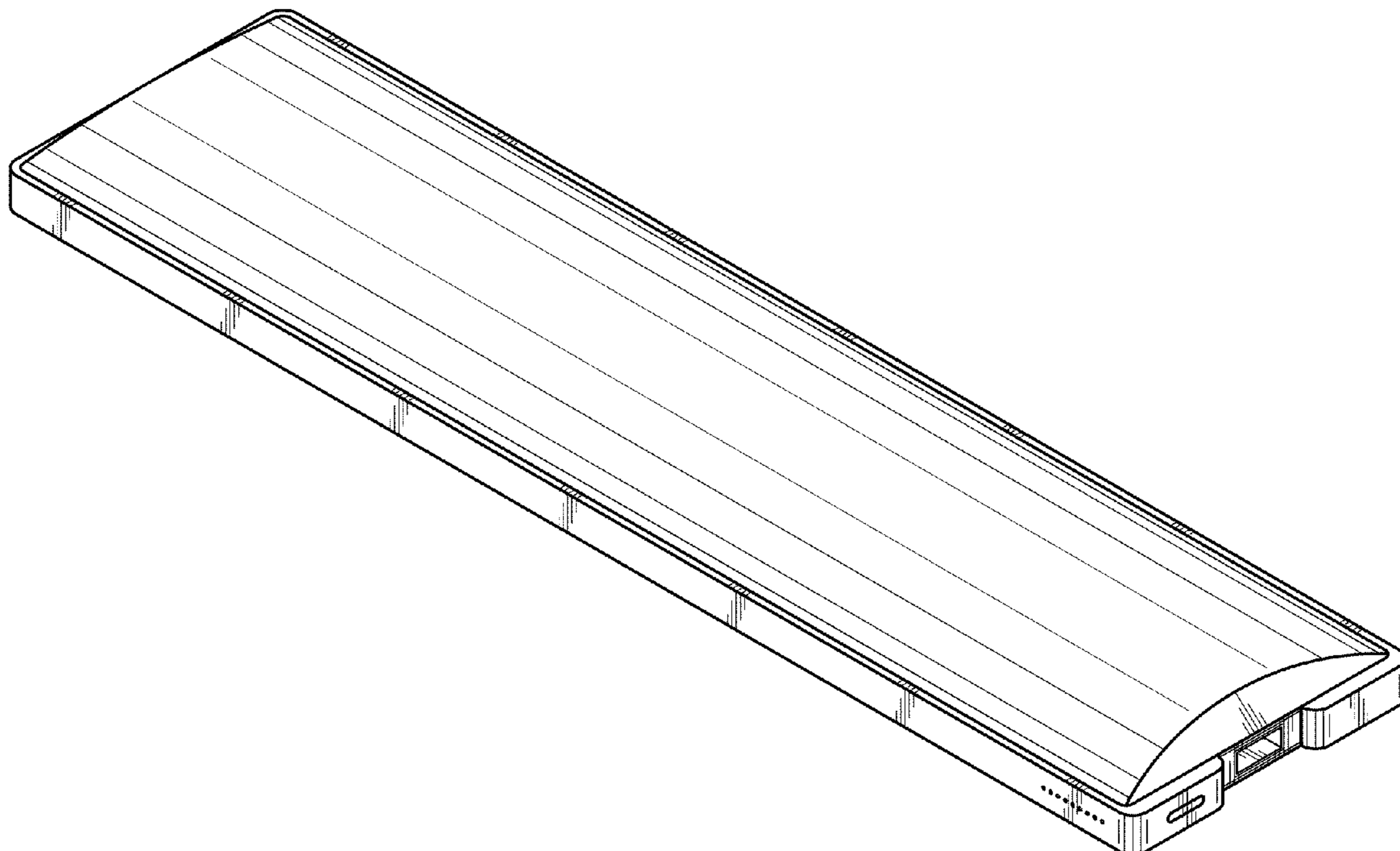
The ornamental design for a battery for notebook computer, as shown and described.

DESCRIPTION

FIG. 1 is a top front perspective view of a battery for notebook computer showing our new design;
FIG. 2 is a front elevational view thereof;
FIG. 3 is a rear elevational view thereof;
FIG. 4 is a left side elevational view thereof;
FIG. 5 is a right side elevational view thereof;
FIG. 6 is a top plan view thereof; and,
FIG. 7 is a bottom plan view thereof.

- (56) **References Cited**
U.S. PATENT DOCUMENTS
D281,724 S * 12/1985 Michiels D24/200
D343,381 S * 1/1994 Inukai et al. D13/107
D383,433 S * 9/1997 Richards et al. D13/103

1 Claim, 3 Drawing Sheets



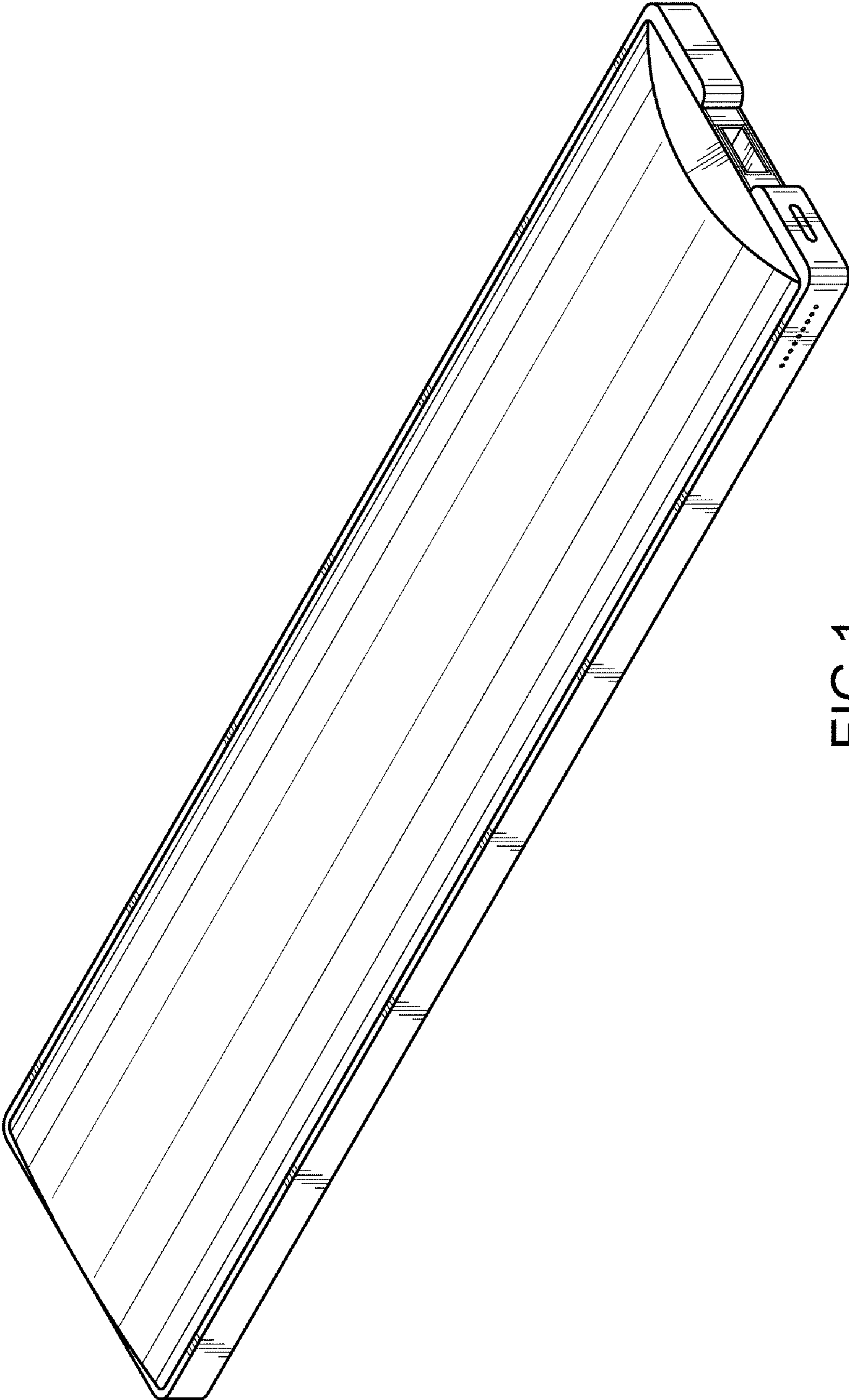


FIG.1

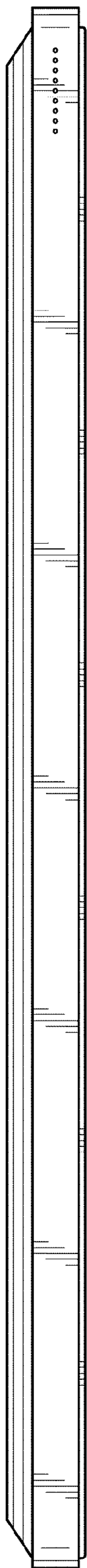


FIG. 2

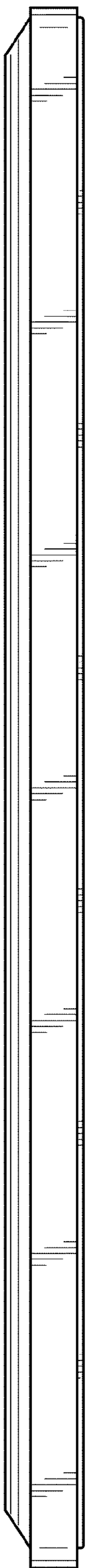


FIG. 3

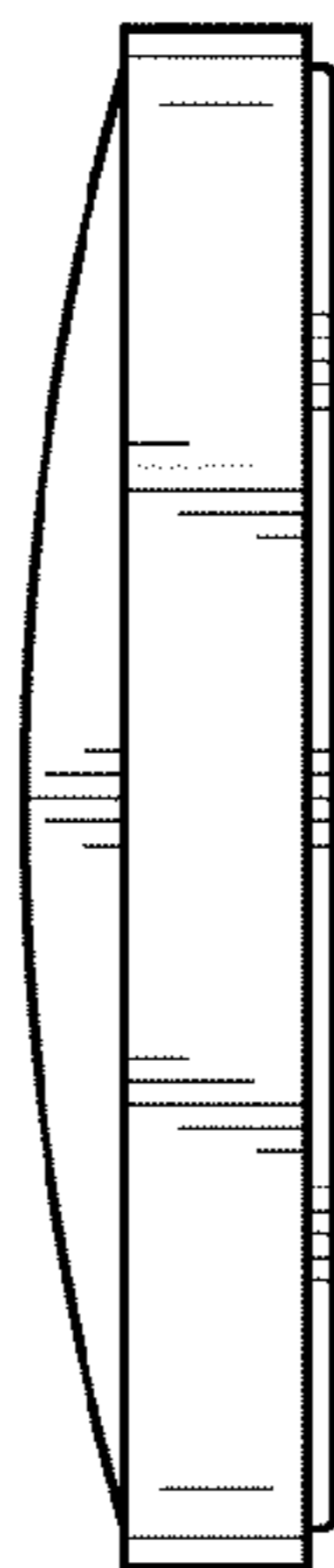


FIG. 4

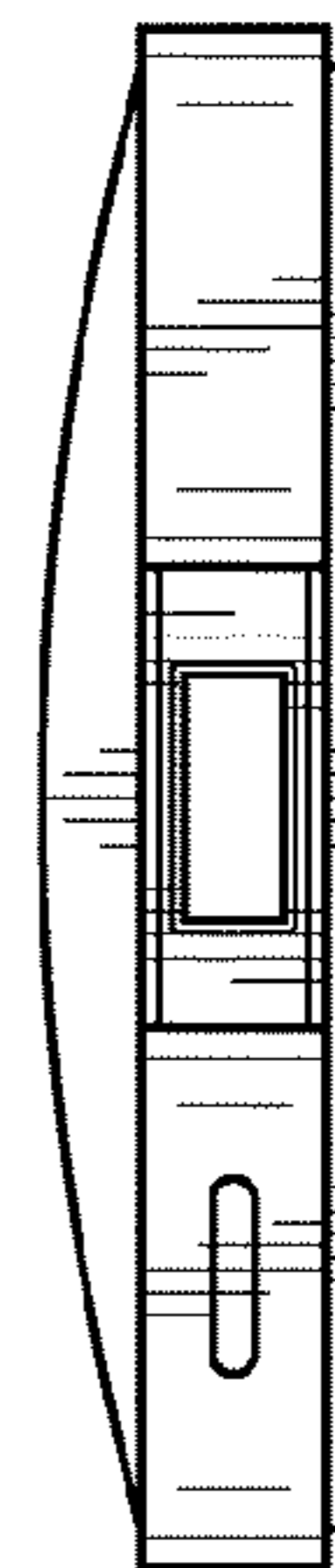


FIG. 5

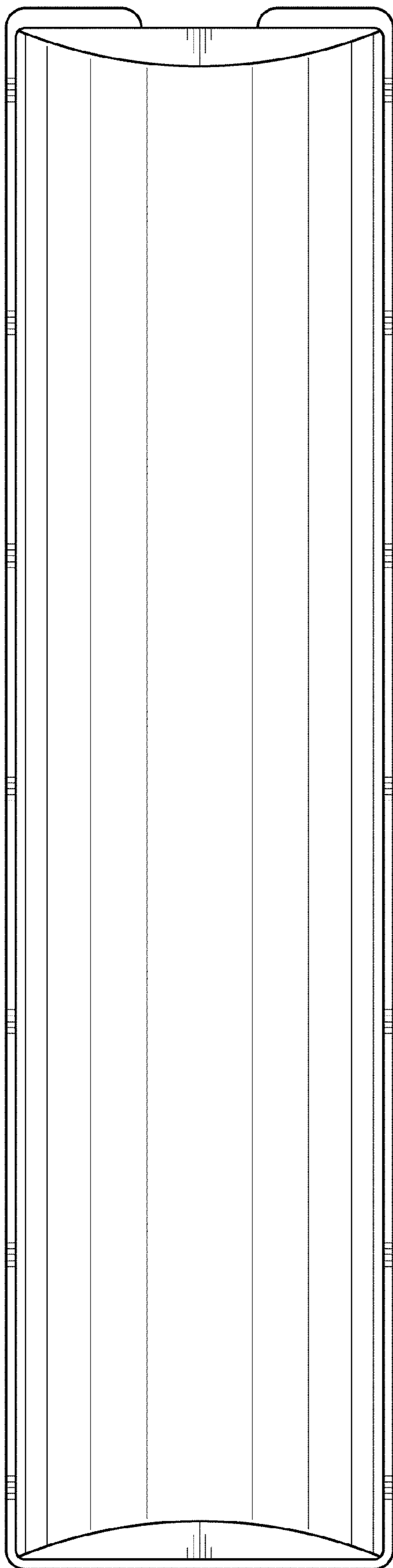


FIG. 6

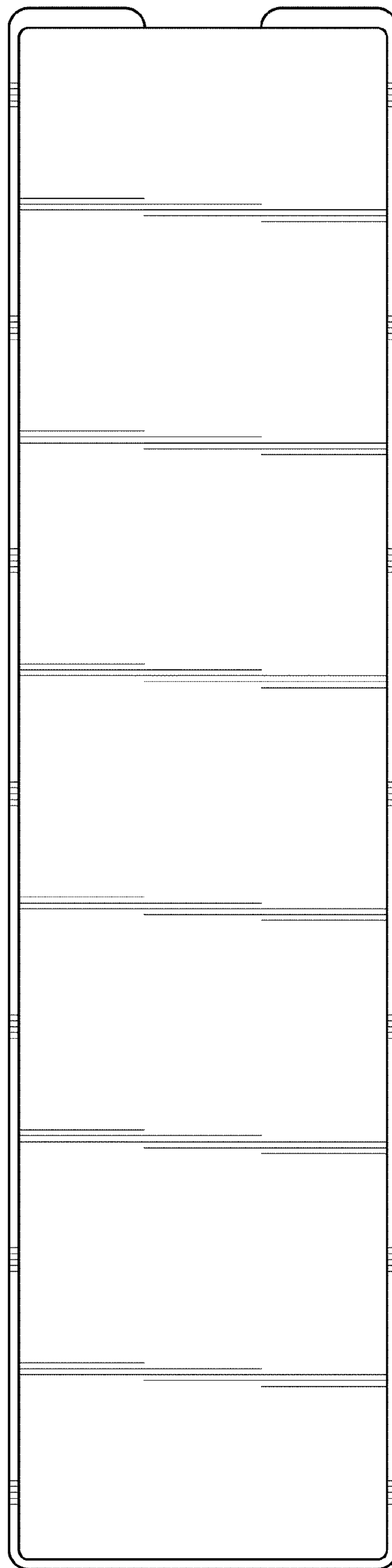


FIG. 7