

US00D650321S

(12) **United States Design Patent**  
**Hamilton**

(10) **Patent No.:** **US D650,321 S**

(45) **Date of Patent:** **\*\* \*Dec. 13, 2011**

(54) **ROOF MOUNTED MEDIA CENTER FOR VEHICLES**

(76) Inventor: **Carl Hamilton**, Columbus, OH (US)

(\*\*) Term: **14 Years**

(21) Appl. No.: **29/333,827**

(22) Filed: **Mar. 16, 2009**

(51) **LOC (9) Cl.** ..... **12-16**

(52) **U.S. Cl.** ..... **D12/413**

(58) **Field of Classification Search** ..... D12/401-414,  
D12/414.1, 89-93, 16, 96-100; D21/433-434,  
D21/548, 552, 559, 561; D25/38, 43; D6/552,  
D6/513, 567; 135/88.01, 95; 150/165-167,  
150/158; 160/32, 26; 280/770; 296/136.01,  
296/190.08, 190.01-190.02, 114-116, 77.1,  
296/100.01-100.06, 98

See application file for complete search history.

(56) **References Cited**

U.S. PATENT DOCUMENTS

3,731,968 A \* 5/1973 Duffield ..... 296/10  
D298,929 S \* 12/1988 Johnson et al. .... D12/404

D574,315 S \* 8/2008 Swails et al. .... D12/401  
D593,482 S \* 6/2009 Leopold et al. .... D12/413  
D602,417 S \* 10/2009 Connors ..... D12/401  
D602,418 S \* 10/2009 Connors ..... D12/401  
D610,067 S \* 2/2010 Frankham ..... D12/404  
2003/0094832 A1\* 5/2003 Soldatelli ..... 296/100.01

\* cited by examiner

*Primary Examiner* — Caron D Veynar

*Assistant Examiner* — Katrina A Kile

(74) *Attorney, Agent, or Firm* — Dinsmore & Shohl LLP

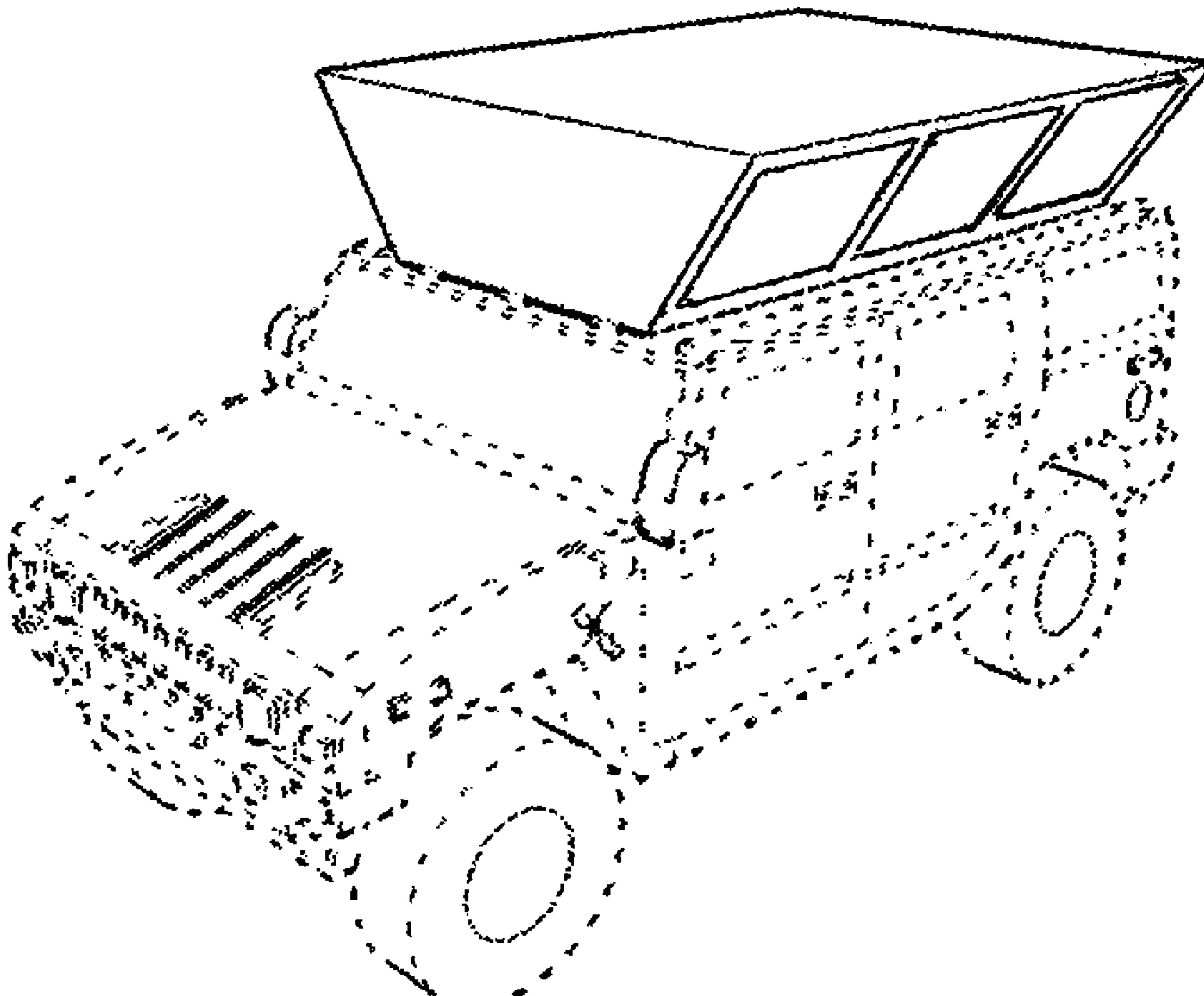
(57) **CLAIM**

The ornamental design for a roof mounted media center for vehicles, as shown.

**DESCRIPTION**

FIG. 1 is a front perspective view of a roof mounted media center for vehicles illustrating my new design; and, FIG. 2 is a rear perspective view thereof. The broken lines shown in the drawings represent portions of the structure that form no part of the claimed design.

**1 Claim, 1 Drawing Sheet**



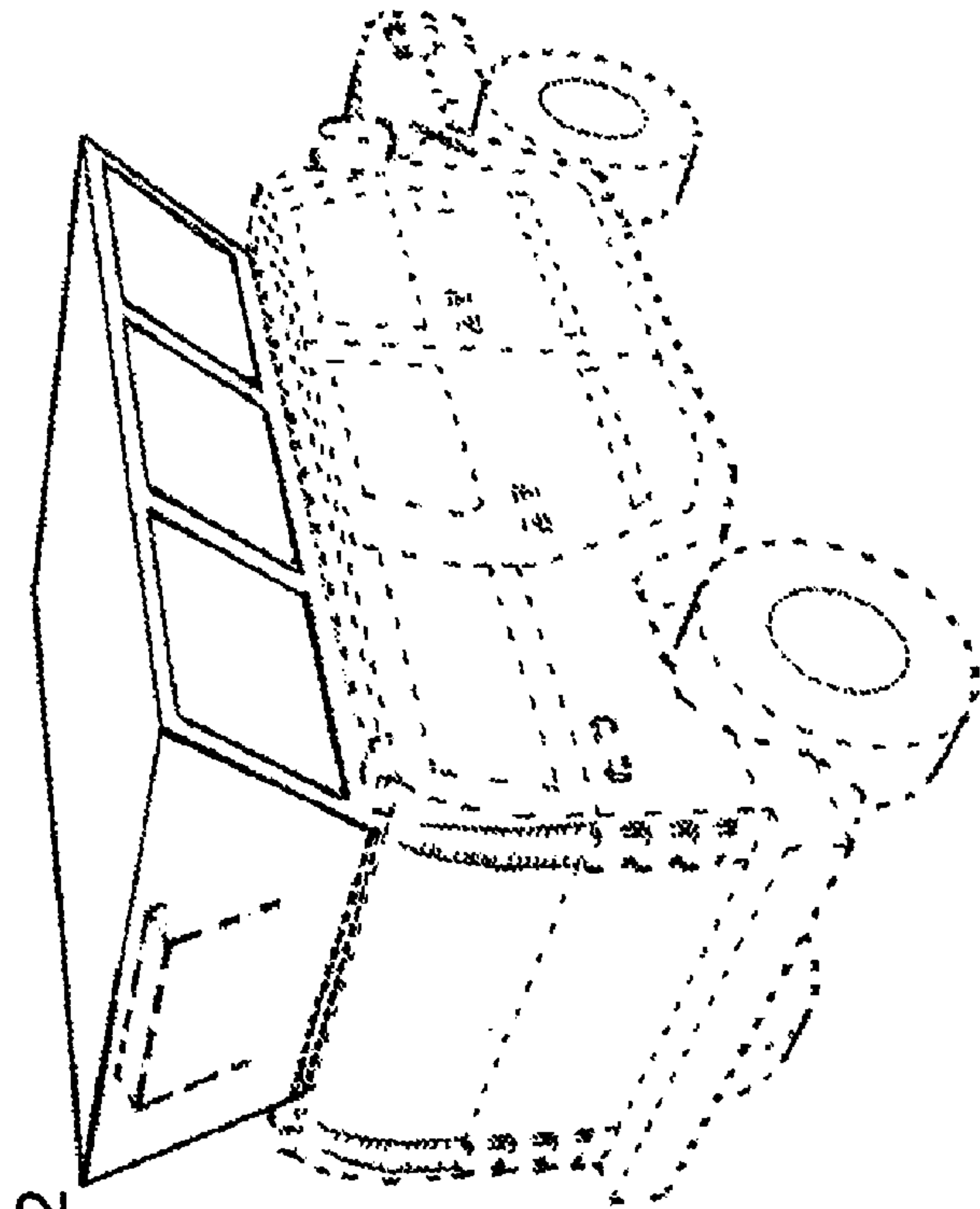


FIG. 2

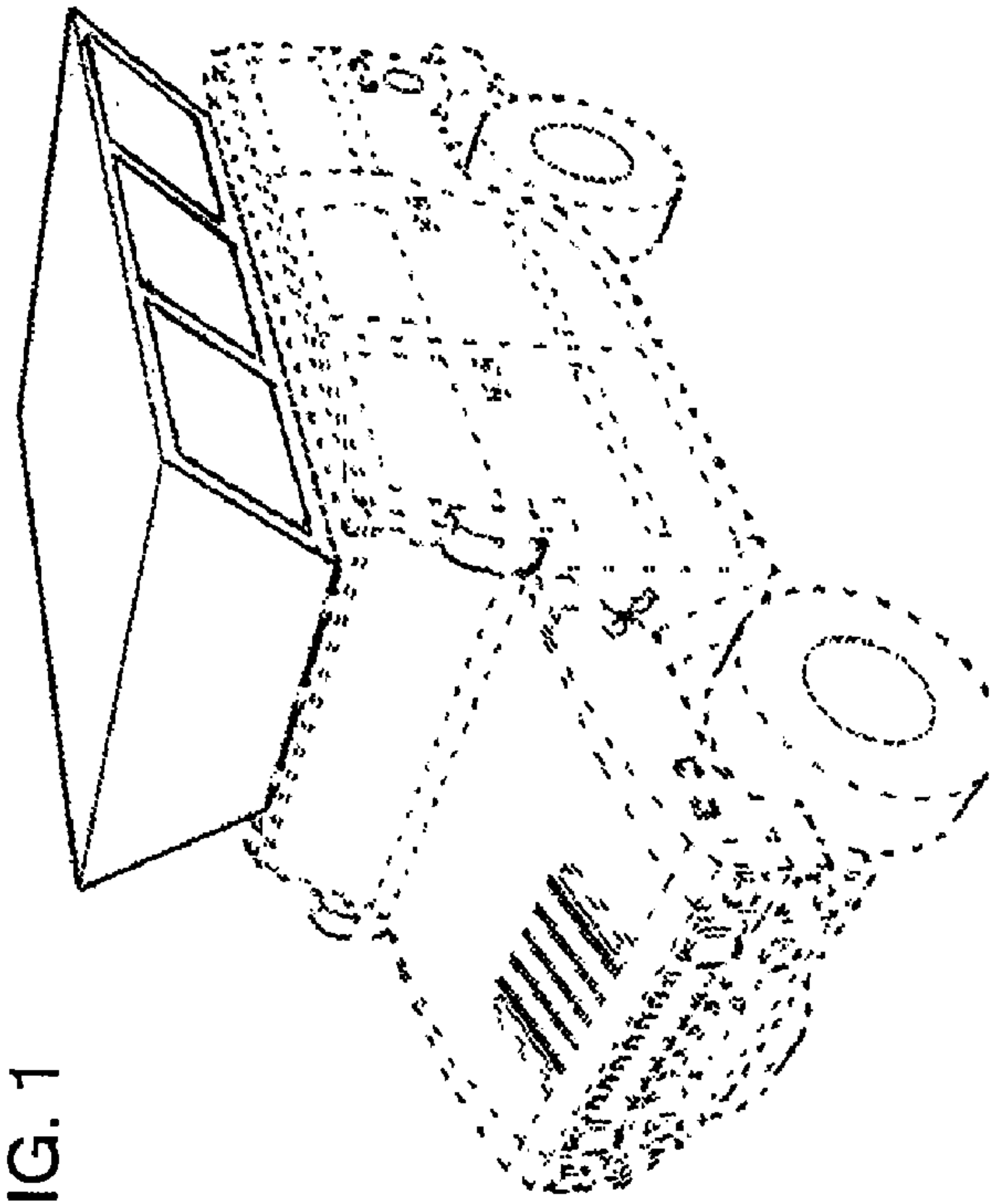


FIG. 1