



(12) **United States Design Patent**
Maruyama

(10) **Patent No.:** **US D650,320 S**
(45) **Date of Patent:** **** Dec. 13, 2011**

(54) **DIFFUSER OF AIR-BAGS FOR CARS**

(56) **References Cited**

(75) **Inventor:** **Tatsuya Maruyama**, Tokyo (JP)

U.S. PATENT DOCUMENTS

(73) **Assignee:** **Takata Corporation**, Tokyo (JP)

2,193,469	A *	3/1940	Ashton	160/352
D425,002	S *	5/2000	Elwell et al.	D12/190
D636,312	S *	4/2011	Matei et al.	D12/190
D638,344	S *	5/2011	Mulanon et al.	D12/406

(**) **Term:** **14 Years**

* cited by examiner

(21) **Appl. No.:** **29/371,346**

Primary Examiner — Caron D Veynar

Assistant Examiner — Katrina A Betton

(22) **Filed:** **Jan. 13, 2011**

(74) *Attorney, Agent, or Firm* — Manabu Kanesaka

(30) **Foreign Application Priority Data**

(57) **CLAIM**

The ornamental design for a diffuser of air-bags for cars, as shown and described.

Jul. 23, 2010 (JP) D2010-017917

DESCRIPTION

(51) **LOC (9) Cl.** **12-16**

FIG. 1 is a perspective view of a diffuser of air-bags for cars showing my new design;

(52) **U.S. Cl.** **D12/400**

FIG. 2 is a front view thereof; a rear view being symmetrical to the front view;

(58) **Field of Classification Search** D12/400,

FIG. 3 is a plan view thereof;

D12/82-83, 197, 190, 406, 411; D25/52;

FIG. 4 is a bottom view thereof;

40/218

FIG. 5 is a left side view thereof; and,

FIG. 6 is a right side view thereof.

See application file for complete search history.

1 Claim, 3 Drawing Sheets

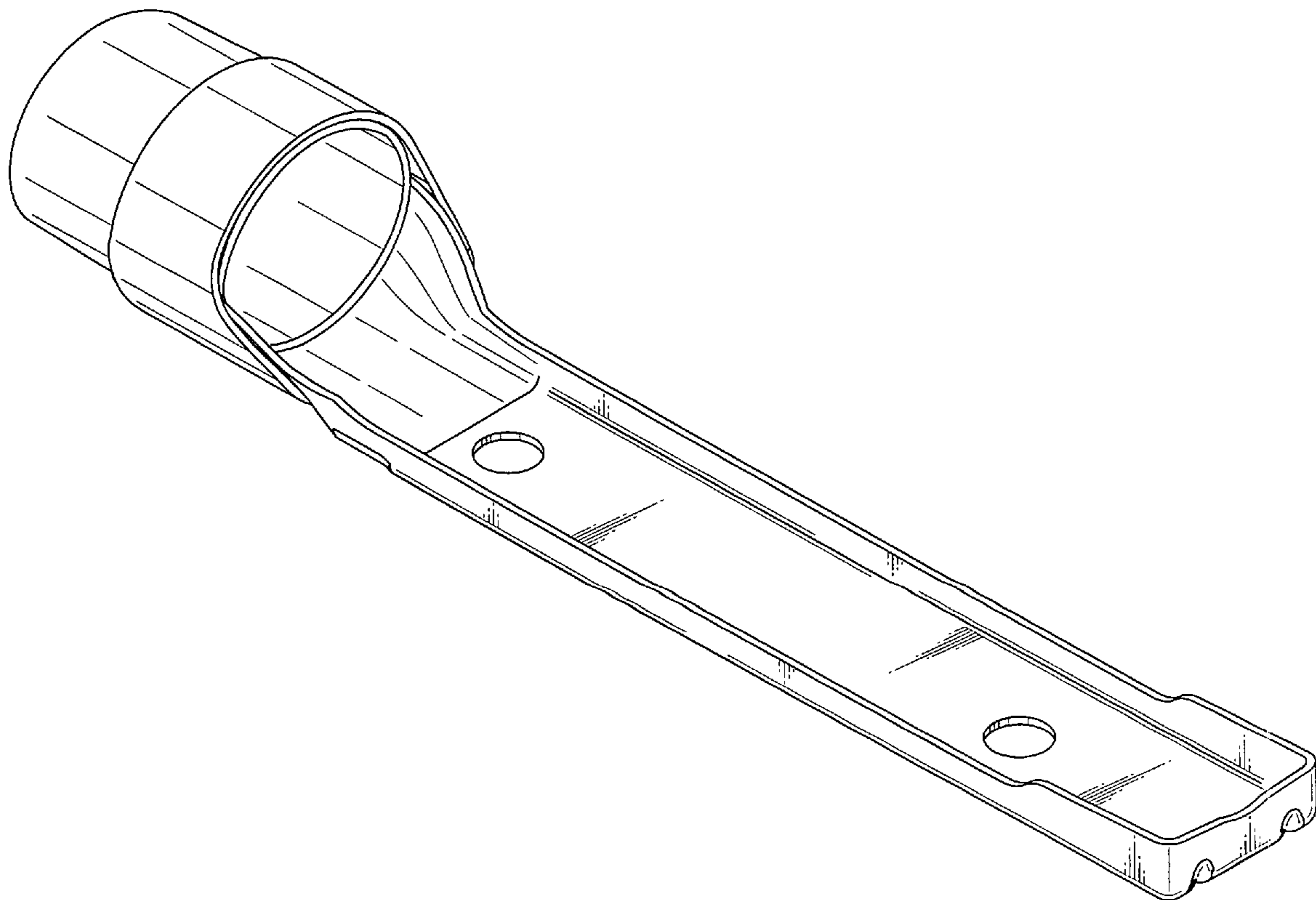


Fig. 1

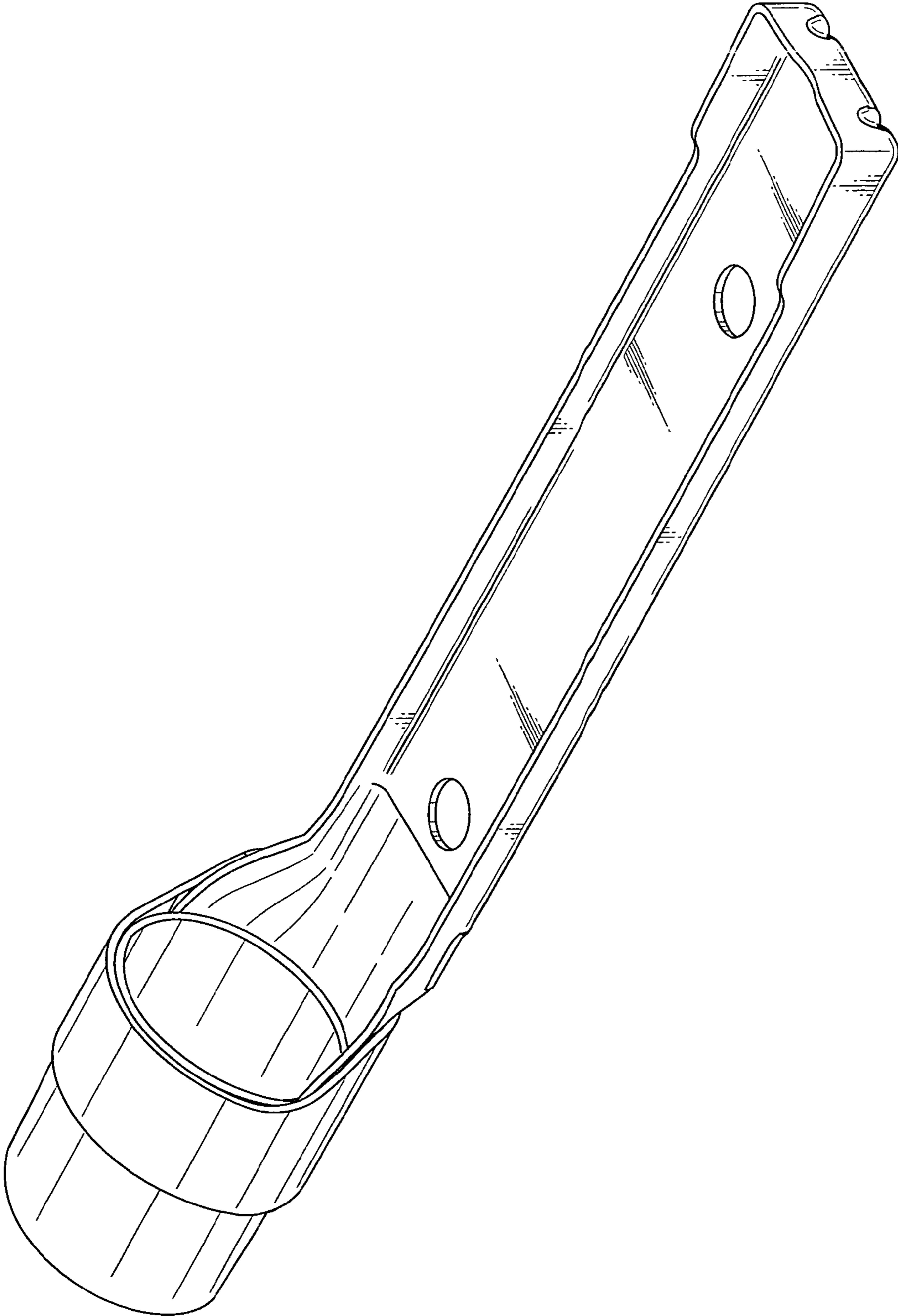


Fig. 2

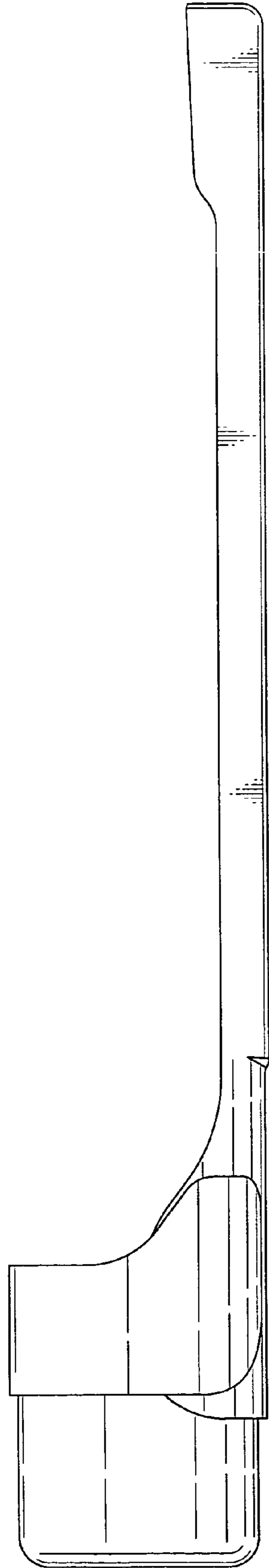


Fig. 3

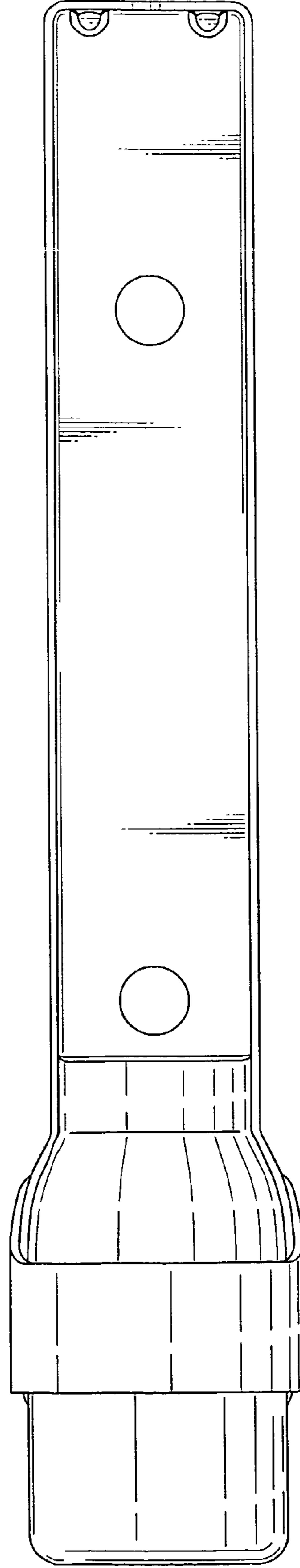


Fig. 4

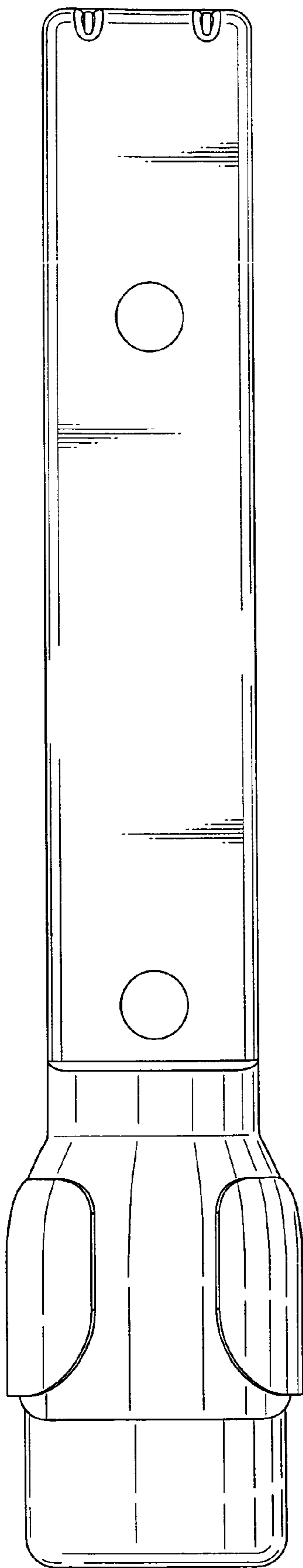


Fig. 6

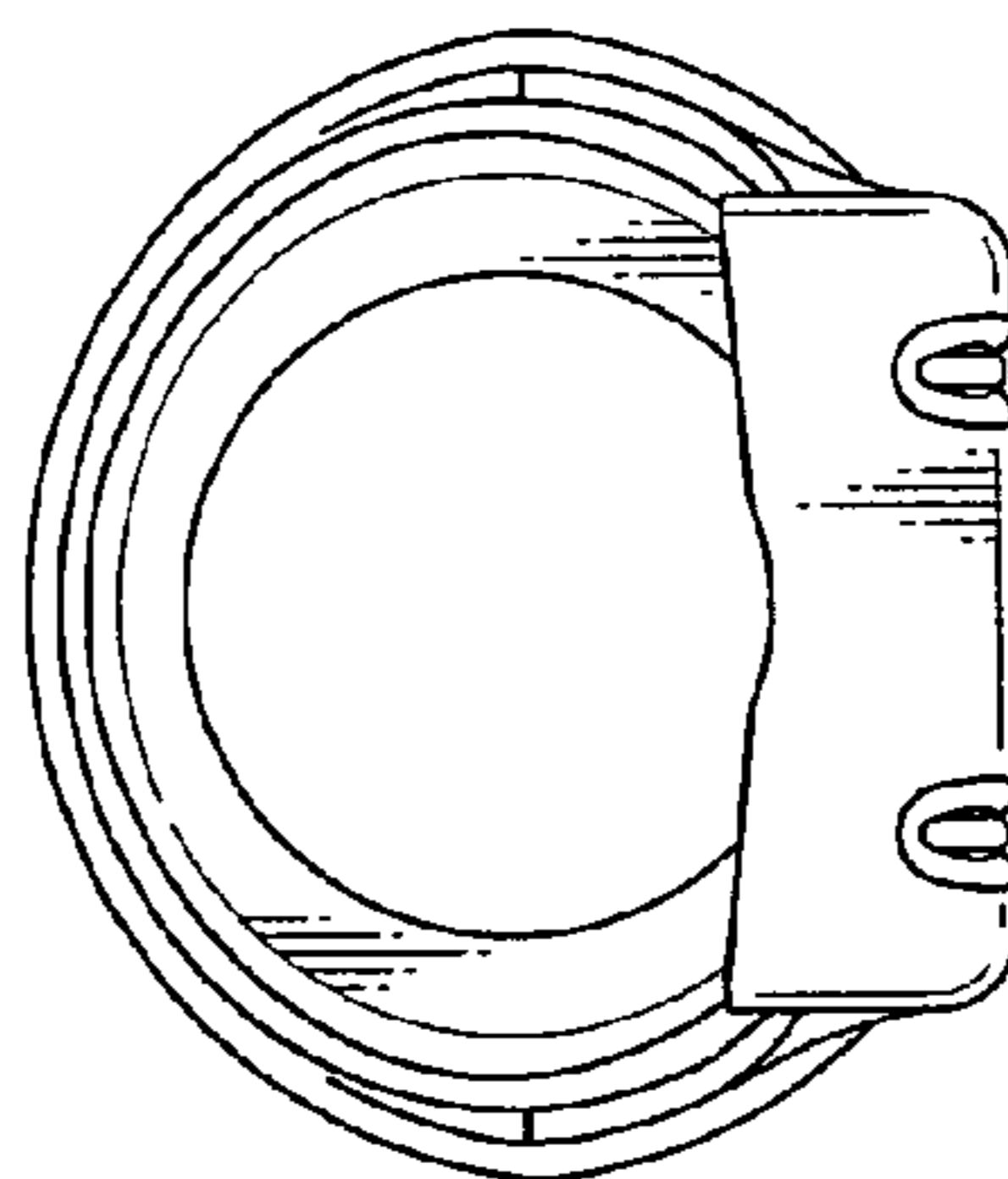


Fig. 5

